

C2665dnf | Dell Document Hub
Color Laser Multifunction Printer
User's Guide

Regulatory Model: C2665dnf



Contents

Before Beginning	23
Notes, Cautions, and Warnings	25
As for RSA BSAFE	25
1 Dell™ C2665dnf Color Laser Multifunction Printer User's Guide	27
Conventions	27
2 Finding Information	29
3 Product Features	33
4 About the Printer	35
Front and Rear View	35
Front View	35
Rear View	36
Duplex Automatic Document Feeder (DADF)	37
Space Requirements	37
Operator Panel	38
Additional Components	38
Optional Accessories	38
Non-bundled Items	38
Securing the Printer	39
Ordering Supplies	39

Setting up the Printer (Printer Setup)	41
5 Preparing Printer Hardware	43
Removing Tape	43
6 Installing Optional Accessories	45
Installing the Optional 550-Sheet Feeder	45
Updating Your Driver to Detect 550-Sheet Feeder	47
Installing the Optional Wireless Adapter	50
Verifying the Contents of the Box	51
Installing the Optional Wireless Adapter	51
Determining the Wireless Network Settings	52
Configuring the Optional Wireless Adapter	53
Configuring the Wireless Adapter Using Dell Printer Setup	53
Configuring the Wireless Adapter Without Using Dell Printer Setup	54
Reconfiguring the Wireless Setting	57
Reconfiguring the Wireless Setting Using Dell Printer Configuration Web Tool	57
Reconfiguring the Wireless Setting Using Dell Printer Setup	58
7 Connecting Your Printer	59
Connecting Printer to Computer or Network	60
Direct Connection	60
Network Connection	61
Connecting the Telephone Line	61
Turning on the Printer	63
Setting Initial Settings on the Operator Panel	63
8 Setting the IP Address	71
Assigning an IP Address	71
When Using the Dell Printer Setup	71
When Using the Operator Panel	71
When Using the Tool Box	72
Verifying the IP Settings	73
Verifying the Settings Using Operator Panel	73

Verifying the Settings Using System Settings Report	73
Verifying the Settings Using Ping Command	73
9 Loading Paper	75
10 Installing Printer Drivers on Windows® Computers	79
Identifying Printer Driver Pre-install Status	79
Changing the firewall settings before installing your printer	79
Inserting the Software and Documentation Disc	79
Direct Connection Setup	80
Network Connection Setup	83
Network Printer Setup on a Local Network.	83
Setting Up for Shared Printing	88
Specifying the Shared Settings of the Printer	88
Point and Print.	89
Peer-to-Peer.	92
11 Installing Printer Drivers on Macintosh Computers	95
Installing the Drivers and Software	95
Adding a Printer on Mac OS X 10.5, 10.6, 10.7, or 10.8	95
Configuring Settings.	96
12 Installing Printer Drivers on Linux Computers (CUPS)	97
Operation on Red Hat Enterprise Linux 5/6 Desktop.	97
Setup Overview	97
Installing the Printer Driver	97
Setting Up the Queue	97
Setting the Default Queue.	98
Specifying the Printing Options	99
Uninstalling the Printer Driver.	99
Operation on SUSE Linux Enterprise Desktop 10	100
Setup Overview	100
Installing the Printer Driver	100
Setting Up the Queue	100
Setting the Default Queue.	101
Specifying the Printing Options	101
Setting the Password for Authority as the Printer Administrator.	102

Uninstalling the Printer Driver	102
Operation on SUSE Linux Enterprise Desktop 11	102
Setup Overview	102
Installing the Printer Driver	103
Setting Up the Queue	103
Setting the Default Queue	104
Specifying the Printing Options	104
Setting the Password for Authority as the Printer Administrator	105
Uninstalling the Printer Driver	105

Using Your Printer 107

13 Operator Panel 109

About the Operator Panel	109
Basic Operations on the Touch Panel	110
To Select the Item on the Screen	110
To Scroll the Screen or the Listed Items.	110
About the Home Screen.	111
Notification Bar	111
Lock Icon.	112
Wi-Fi Direct Connection Status Icon	112
Wireless LAN Connection Status Icon	112
Time/Network Information.	112
Account Name.	112
Tiles	112
Moving, Adding or Deleting the Tiles	112
To Move the Tiles	112
To Add the Tiles	113
To Delete the Tiles	113
Using the Keyboard Displayed on the Touch Panel	113
To Change the Keyboard Layout.	114
Using the Number Pad	114
Number Pad Numbers	114
Changing Numbers or Names	114
Inserting a Pause	114
Printing a Panel Settings Report	115
Changing the Language.	115

When Using the Operator Panel	115
When Using the Tool Box	115
Setting the Power Saver Timer Option	115
About the Concurrent Jobs Feature	116
14 Dell™ Printer Configuration Web Tool	117
Overview	117
Setting Up the Dell Printer Configuration Web Tool	118
Setting Up From Web Browser	118
Setting Up From Operator Panel	119
Starting the Dell Printer Configuration Web Tool	120
Overview of the Menu Items	120
Printer Status	120
Printer Jobs	120
Printer Settings	120
Print Server Settings	120
Copy Printer Settings	121
Print Volume	121
Address Book	121
Printer Information	121
Tray Management	121
E-Mail Alert	121
Set Password	121
Online Help	121
Order Supplies at:	121
Contact Dell Support at:	121
Page Display Format	122
Top Frame	122
Left Frame	123
Right Frame	123
Changing the Settings of the Menu Items	124
Details of the Menu Items	124
Printer Status	127
Printer Jobs	128
Printer Settings	129
Print Server Settings	152
Copy Printer Settings	175
Print Volume	176
Address Book	177

Tray Management	183
15 Understanding the Tool Box Menus	185
Starting the Tool Box	185
Printer Setting Reports	185
Printer Information.	185
Menu Settings	186
Reports.	188
TCP/IP Settings	188
Tray Settings	189
Default Settings	189
Fax Settings	191
Panel Language	192
Printer Maintenance	193
System Settings - General.	193
System Settings - Timers	195
System Settings - Output Settings.	196
Service Tools.	197
Tray Management	198
Panel Language	201
TCP/IP Settings	201
Network Settings	202
Copy Defaults	202
Scan Defaults	205
Fax Defaults	206
USB Direct Print Defaults	207
Fax Settings	208
Diagnosis	210
Chart Print	210
Environment Sensor Info	211
Resetting Defaults	211
When Using the Tool Box	211
16 Understanding the Printer Menus	213
Report / List	213
System Settings	213
Panel Settings	213
PCL Fonts List	213
PCL Macros List	213
PS Fonts List	213

PDF Fonts List	213
Job History	213
Error History	214
Print Meter	214
Color Test Page	214
Protocol Monitor	214
Speed Dial	214
Address Book	214
Server Address	214
Fax Activity	214
Fax Pending	214
Stored Documents.	214
Printing a Report/List Using the Operator Panel	215
Printing a Report/List Using the Tool Box	215
Connection Status	215
Disconnecting the device connected via Wi-Fi Direct	215
Admin Settings	215
Phone Book	215
PCL	216
PS	222
PDF	223
Network	225
Fax Settings	232
System Settings	240
Maintenance	250
Secure Settings	255
USB Settings	258
Default Settings.	259
Copy Defaults	259
Fax Defaults	260
Scan Defaults	260
USB Direct Print Defaults	261
Tray Management	261
Tray Settings.	261
Tray Priority	265
Language Settings	266
Panel Language	266
Keyboard Layout.	266
Print	266
Private Mailbox	267
Public Mailbox.	267

Proof Print	267
Secure Print	268
Secure Fax Receive	268
Tile Settings	268
Copy	268
Quantity	268
Darken / Lighten	269
Output Color	269
Select Tray	269
2 Sided Copying	271
Sharpness	271
Reduce/Enlarge	272
Original Size	272
Original Type	273
Collation	273
2-Up	274
Color Saturation	274
Margin	274
Auto Exposure	274
Save Settings	274
ID Copy	275
Save Settings	275
Scan	275
Scan to E-mail	275
Scan to Network	275
Scan to PC	276
Scan to USB	276
Scan Settings	276
Save Settings	279
Scan to WSD	279
Tile Settings	280
Fax	280
Fax Settings	280
Save Settings	281
Print PDF/TIFF	282
Print JPEG	282
Print Settings	282
Save Settings	285
Dell Document Hub	285
Search for Files	285

Browse for Files	285
Scan	286
Smart OCR Scan	287
E-mail Me	288
Business Card Reader	290
Add Apps	290
Panel Lock	290
Enabling the Panel Lock	290
Disabling the Panel Lock	291
Resetting Defaults	291
When Using the Operator Panel	291
17 Print Media Guidelines	293
Paper	293
Paper Characteristics	293
Recommended Paper	294
Unacceptable Paper	294
Selecting Paper	294
Selecting Pre-Printed Media and Letterheads	295
Selecting Pre-Punched Paper	295
Envelopes	295
Labels	296
Storing Print Media	297
Identifying Print Media and Specifications	297
Supported Paper Sizes	297
Supported Paper Types	298
Paper Type Specifications	298
18 Loading Print Media	299
Capacity	299
Print Media Dimensions	299
Loading Print Media in Tray1 and the Optional 550-Sheet Feeder	299
Loading Letterhead (Pre-Printed and Pre-Punched Paper)	299
Loading Print Media in the MPF	300
Loading an Envelope in the MPF	302
Envelope #10, Monarch, or DL	303

C5.	303
Using the MPF.	304
Linking Trays	304

Printing, Copying, Scanning, Faxing, and Dell Document Hub 305

19 Printing 307

Tips for Successful Printing	307
Tips on Storing Print Media	307
Avoiding Paper Jams	307
Sending a Job to Print	307
Canceling a Print Job	308
Canceling a Job From the Operator Panel	308
Canceling a Job From a Computer Running Windows	308
Duplex Printing	309
Duplex Printing With Duplex Unit	309
Using Booklet Print	309
Using the Stored Print Feature	310
Overview.	310
Procedures for Printing Stored Print	312
Printing from USB Memory	313
Supported File Formats	314
Inserting and Removing a USB Memory	314
Printing a PDF/TIFF File in a USB Memory	314
Printing a JPEG File in a USB Memory	315
Printing With Web Services on Devices (WSD)	315
Adding Roles of Printer Services	315
Printer Setup.	316
Installing a Printer Driver Using the Add Printer Wizard	316
Printing With Wi-Fi Direct™	317
Setting Up Wi-Fi Direct	317
Printing via Wi-Fi Direct	320
Disconnecting Wi-Fi Direct Network	320
Resetting the Passphrase	320
Resetting the PIN	321

Mobile Printing	321
Android OS	321
Apple® iOS	321
Printing With AirPrint	322
Setting Up AirPrint on Your Printer	322
Printing via AirPrint	322
Printing With Google Cloud Print™	322
Preparing to Use the Printer with Google Cloud Print	322
Registering the Printer to Your Google Account	323
Printing via Google Cloud Print	323
Printing a Report Page	324
Printer Settings	324
Using the Operator Panel to Change the Printer Settings	324
Using the Dell Printer Configuration Web Tool to Change the Printer Settings	325
20 Copying	327
Loading Paper for Copying	327
Selecting Paper Tray	327
Preparing a Document	327
Making Copies From the Document Glass	328
Making Copies From the DADF	329
Setting Copy Options	330
Quantity	330
Darken / Lighten	330
Output Color	331
Select Tray	331
2 Sided Copying	331
Sharpness	332
Reduce / Enlarge	332
Original Size	333
Original Type	333
Collation	334
2-Up	335
Color Saturation	336
Margin	336
Auto Exposure	336
Using the ID Copy	336

Changing the Default Settings	337
21 Scanning	339
Scanning Overview	339
Scanning - With scanner driver	339
Scanning - Without scanner driver	339
Scanning From the Operator Panel - Scan to PC	340
Scanning from the Operator Panel - Scan to WSD	342
Printer Setup for Scan to WSD	342
Procedures for Scan to WSD	342
Scanning Using the TWAIN Driver	343
Scan Settings Tool	345
IP Address Settings	345
Password Setting	346
Scanning Using the Windows Image Acquisition (WIA) Driver	347
Scanning to a PC or Server via SMB/FTP	349
Overview	349
Procedures	350
Setting a Login Name and a Password (SMB Only)	351
Creating a Shared Folder (SMB Only)	352
Setting a Destination Using an Address Book	357
Sending the Scanned File on the Network	362
Scanning to a USB Memory	362
Types of a USB Memory	362
Procedures	363
Specifying a Folder to Save the Scanned Image	363
Sending an E-Mail With the Scanned Image	364
Preparing the Printer to Send the E-Mail	364
Setting the DNS Server Address	364
Setting the Administrator's E-mail Address	364
Setting the Information Necessary to Access the Mail Server	365
Registering a New E-Mail Address to Address Book	367
Sending an E-mail With the Scanned File	367
22 Faxing	369
Specifying the Fax Initial Settings Using the Dell Printer Setup	369
Setting Your Country	370

Setting the Printer ID	370
Setting the Time and Date	370
Changing the Clock Mode	371
Setting Sounds	371
Speaker Volume	371
Ringer Volume	371
Specifying the Fax Settings Options	371
Changing the Fax Settings Options	371
Available Fax Settings Options	372
Advanced Fax Settings	376
Sending a Fax	377
Loading an Original Document	377
Adjusting the Document Resolution	378
Adjusting the Document Contrast	379
Sending a Fax From Memory	379
Sending a Fax Manually	380
Confirming Transmissions	381
Automatic Redialing	381
Sending a Delayed Fax	381
Sending a Fax from the Driver (Direct Fax)	382
Example	382
Receiving a Fax	386
About Receiving Modes	386
Loading Paper for Receiving Faxes	386
Receiving a Fax Automatically in the Fax Mode	387
Receiving a Fax Manually in the Telephone Mode	387
Receiving a Fax Automatically in the Telephone / Fax or Ans Machine/Fax	387
Receiving a Fax Manually Using an External Telephone (Remote Receive)	387
Receiving Faxes Using the DRPD	388
Receiving Faxes in the Memory	388
Polling Receive	388
Automatic Dialing	388
Speed Dialing	388
Setting Speed Dial	389
Sending a Fax Using Speed Dial	389
Group Dialing	390
Setting Group Dial	390
Editing Group Dial	390

Sending a Fax Using Group Dial (Multi-address Transmission)	391
Printing a Speed Dial List	391
Phone Book	391
Other Ways to Fax	392
Using the Secure Receiving Mode	392
Using an Answering Machine	393
Using a Computer Modem	393
Printing a Report	394
Changing Setting Options	394
23 Dell™ Document Hub	395
Registering the User and Signing In to the Dell Document Hub	395
Registering a New User to the Dell Document Hub	395
Signing In to the Dell Document Hub	396
When the Favorites Screen is Displayed When You Tap the Tile on the Dell Document Hub Screen	396
Returning to the Home Screen	396
Logging Out From the Printer	396
Searching for and Printing Files	397
Browsing and Printing Files	398
Searching for the Files in the Selected Cloud Service	399
Scanning	400
Searching for the Location Across the Cloud Services	401
Searching for the Location in the Selected Cloud Service	401
Scanning the Document Using Optical Character Recognition (OCR)	401
Receiving the Scanned File as an E-Mail	402
Receiving the Scanned Image of the Business Card as an E-Mail	403
Know Your Printer	405
24 Understanding Your Printer Software	407
Printer Utility Software	408
Status Window	409
Tool Box	409
Updater	409

Troubleshooting	409
Address Book Editor.	409
ScanButton Manager	409
Address Books	409
Types of Address Books.	409
Adding and Editing Entries to the Address Books	410
App Manager	413
Preparing to use the App Manager - Dell C2665dnf	413
Using the App Manager - Dell C2665dnf	413
Status Monitor Widget for Macintosh	414
Status Monitor Widget Feature	414
Before Installing the Status Monitor Widget	414
Installing the Status Monitor Widget	414
Opening and Closing the Status Monitor Widget.	414
Printer Status Window	415
Order Window.	416
Preferences	417
Status Monitor Console for Linux	418
Status Monitor Console Feature	418
Before Installing the Status Monitor Console.	418
Installing the Status Monitor Console.	418
Starting the Status Monitor Console	419
Printer Selection Window.	419
Printer Status Window	420
Dell Supplies Management System Window	421
Service Tag Window	422
Settings Window	422
25 User Authentication	425
Creating and Editing the User Accounts	425
Creating a New User Account	425
Editing the User Account	426
Deleting the User Account	426
Logging In to the User Account	426
Logging In Using the Touch Panel.	426
Logging In Using the NFC Authentication Card	427
Logging Out	427

26 Multiple Desktop - Tile Customization	429
Adding a New Tile	429
Selecting From the Pre-defined Tiles	429
Creating a New Tile Including the Job Settings.	429
27 Using the Server Address Book and Server Phone Book	431
Preparing the Printer to Access the External LDAP Server	431
Starting the Dell Printer Configuration Web Tool	431
Setting Authentication Type	431
Setting LDAP Server.	432
Setting LDAP User Mapping.	433
Sending an E-mail With the Scanned File Using the E-mail Server Address Book	434
Sending a Fax Using the Fax Server Phone Book	434
28 Using Digital Certificates	435
Managing Certificates	435
Preparing to Manage Certificates.	435
Importing a Digital Certificate	436
Setting a Digital Certificate	436
Confirming the Settings of a Digital Certificate	437
Deleting a Digital Certificate.	437
Exporting a Digital Certificate	438
Setting the Features.	439
Setting the Certificate in the IPsec Digital Signature Mode	439
Setting the SSL-use Server Certificate (HTTP/IPP)	439
Setting LDAP-SSL/TLS Communication	440
Setting Server Certificate Verification for LDAP-SSL/ TLS Communication	440
Setting Client Certificate for LDAP-SSL/TLS Communication.	440
Setting for Wireless LAN WPA-Enterprise (EAP-TLS).	441
Setting for Wireless LAN WPA-Enterprise (PEAPV0-MS-CHAPV2, EAP-TTLS PAP, EAP-TTLS CHAP)	442
Setting Client Certificate for IEEE 802.1x (EAP-TLS).	443
29 Understanding Fonts	445
Typefaces and Fonts	445

Weight and Style	445
Pitch and Point Size	445
Bitmapped and Scalable Fonts	446
Resident Fonts	447
Symbol Sets	450
Symbol Sets for PCL 5/PCL 6	450
30 Understanding Printer Messages	451
Error Codes	451
Error Messages	459
31 Specifications	461
Operating System Compatibility	461
Power Supply	461
Dimensions	461
Memory	461
Page Description Language (PDL)/Emulation, Operating System, and Interface	461
MIB Compatibility	462
Environment	462
Operation	462
Print Quality Guarantee	462
Storage	462
Altitude	462
Cables	462
Copier Specifications	463
Scanner Specifications	463
Facsimile Specifications	464
Optional Wireless Adapter	464

Maintaining Your Printer 467

32 Maintaining Your Printer 469

- Determining the Status of Supplies** 469
- Conserving Supplies** 469
- Ordering Supplies** 469
- Storing Print Media** 470
- Storing Consumables** 470
- Replacing the Toner Cartridges** 471
 - Removing the Toner Cartridge 471
 - Installing a Toner Cartridge 472
- Replacing the Drum Cartridges** 473
 - Removing the Drum Cartridge 473
 - Installing a Drum Cartridge 475
- Replacing the Fusing Unit** 479
 - Removing the Fusing Unit 479
 - Installing a Fusing Unit 480
- Replacing the Transfer Belt Unit, the 2nd Belt Transfer Roller (2nd BTR), and the Retard Roller** 481
 - Removing the Transfer Belt Unit 481
 - Installing a Transfer Belt Unit 484
 - Removing the 2nd BTR 487
 - Installing a 2nd BTR 487
 - Removing the Retard Roller in Tray1 488
 - Installing a Retard Roller in Tray1 489
- Replacing the Waste Toner Box** 490
 - Removing the Waste Toner Box 490
 - Installing a Waste Toner Box 491
- Cleaning Inside the Printer** 493
 - Cleaning the CTD Sensor 493
 - Cleaning the Raster Optical Scanner (ROS) Window 498
- Cleaning the Scanner** 502
- Cleaning the DADF Feed Roller** 504
- Adjusting Color Registration** 504
 - Printing the Color Registration Chart 504

Determining Values	505
Entering Values	507
33 Removing Options	509
Removing the Optional 550-Sheet Feeder	509
Removing the Optional Wireless Adapter	512
34 Clearing Jams	515
Avoiding Jams	515
Identifying the Location of Paper Jams	516
Clearing Paper Jams From the DADF	517
Clearing Paper Jams From the MPF	519
If error code: 050-112 appears:	519
If error code: 050-129 appears:	521
Clearing Paper Jams From Tray1.	522
Clearing Paper Jams From the Fusing Unit	523
If error code: 050-111 appears:	523
If error code: 050-129 appears:	525
Clearing Paper Jams From the Optional 550-Sheet Feeder	529
Troubleshooting	531
35 Troubleshooting Guide	533
Basic Printer Problems.	533
Display Problems	533
Printing Problems	533
Print Quality Problems	534
The output is too light	535
Toner smears or print comes off	536
Random spots/Blurred images	537
The entire output is blank	538
Streaks appear on the output	539
Part or the entire output is black	540

Pitched color dots	540
Vertical blanks	541
Ghosting	542
Light-induced fatigue	543
Fog	544
Bead-Carry-Out (BCO)	544
Jagged characters.	545
Banding	545
Auger mark.	546
Wrinkled/Stained paper	547
Damage on the leading edge of paper	547
Jam/Alignment Problems	548
The top and side margins are incorrect	548
Color registration is out of alignment	548
Images are skewed	549
Tray1/Optional 550-Sheet Feeder Misfeed Jam	550
MPF Misfeed Jam	551
Regi Jam (Exit Sensor On JAM)	551
Exit Jam (Exit Sensor Off JAM)	552
Tray1/Optional 550-Sheet Feeder Multi-feed Jam.	552
MPF Multi-feed Jam	553
Noise	553
Copy Problems	554
Fax Problems	555
Scanning Problems	556
Digital Certificate Problems	559
Problems With Installed Optional Accessories	560
Wi-Fi Direct Problems	560
Scanner Driver/Printer Utility Problems	560
Other Problems	561
Contacting Service	561

Appendix	563
--------------------	-----

Appendix	565
--------------------	-----

Dell™ Technical Support Policy	565
--	-----

Online Services	565
Warranty and Return Policy	566
Recycling Information.	566
Contacting Dell	566
 Index	 567

Before Beginning

- Notes, Cautions, and Warnings 25
- 1 Dell™ C2665dnf Color Laser Multifunction Printer User's Guide....27
- 2 Finding Information..... 29
- 3 Product Features..... 33
- 4 About the Printer 35

Notes, Cautions, and Warnings



NOTE: A NOTE indicates important information that helps you make better use of your printer.



CAUTION: A CAUTION indicates potential damage to hardware or loss of data if instructions are not followed.



WARNING: A WARNING indicates a potential for property damage, personal injury, or death.

Information in this document is subject to change without notice.

© 2013 Dell Inc. All rights reserved.

Reproduction of these materials in any manner whatsoever without the written permission of Dell Inc. is strictly forbidden.

Trademarks used in this text: *Dell* and the *DELL* logo are trademarks of Dell Inc.; *Microsoft*, *Windows*, *Windows Server*, *Windows Vista*, and *Active Directory* are either trademarks or registered trademarks of Microsoft Corporation in the United States and/or other countries; *Apple*, *Bonjour*, *iPad*, *iPhone*, *iPod touch*, *Macintosh*, *Mac OS*, and *TrueType* are trademarks of Apple Inc., registered in the U.S. and other countries. *AirPrint* and the *AirPrint* logo are trademarks of Apple Inc.; *Android*, *Google Chrome*, *Gmail*, *Google*, *Google Cloud Print*, *Google Drive*, and *Google Play* are either registered trademarks or trademarks of Google Inc.; *Adobe* and *Photoshop* are either registered trademarks or trademarks of Adobe Systems Incorporated in the United States and/or other countries; *Wi-Fi* is a registered trademark of the Wi-Fi Alliance; *Wi-Fi Protected Setup*, *WPA*, *WPA2* and *Wi-Fi Direct* are trademarks of the Wi-Fi Alliance; *Red Hat* and *Red Hat Enterprise Linux* are registered trademarks of Red Hat, Inc. in the U.S. and other countries; *SUSE* is a registered trademark of Novell, Inc., in the United States and other countries; *MIFARE* is a trademark of NXP Semiconductors; *Thinstream* is a trademark of Thinstream Technologies Pte. Ltd.; *QR Code* is a registered trademark of Denso Wave Incorporated; *Evernote* is a trademark of Evernote Corporation and used under a license; *Dropbox* is a trademark or registered trademark of Dropbox Inc.

XML Paper Specification (XPS): This product may incorporate intellectual property owned by Microsoft Corporation. The terms and conditions upon which Microsoft is licensing such intellectual property may be found at <http://go.microsoft.com/fwlink/?LinkId=52369>; *DES*: This product includes software developed by Eric Young (eay@mincom.oz.au); *AES*: Copyright (c) 2003, Dr Brian Gladman, Worcester, UK. All rights reserved. This product uses published AES software provided by Dr Brian Gladman under BSD licensing terms; *TIFF (libtiff)*: Copyright (c) 1988-1997 Sam Leffler and Copyright (c) 1991-1997 Silicon Graphics, Inc.; *ICC Profile (Little cms)*: Copyright (c) 1998-2004 Marti Maria.

Other trademarks and trade names may be used in this document to refer to either the entities claiming the marks and names or their products. Dell Inc. disclaims any proprietary interest in trademarks and trade names other than its own.

The printer software uses some of the codes defined by the Independent JPEG Group.

WSD stands for Web Services on Devices.

As for RSA BSAFE



This printer includes RSA BSAFE® Cryptographic software from EMC Corporation.

UNITED STATES GOVERNMENT RESTRICTED RIGHTS


This software and documentation are provided with RESTRICTED RIGHTS. Use, duplication or disclosure by the Government is subject to restrictions as set forth in subparagraph (c)(1)(ii) of the Rights in Technical Data and Computer Software clause at DFARS 252.227-7013 and in applicable FAR provisions: Dell Inc., One Dell Way, Round Rock, Texas, 78682, USA.

October 2013 Rev. A00

Dell™ C2665dnf Color Laser Multifunction Printer

User's Guide

Click the links to the left for information on the features, options, and operation of your Dell C2665dnf Color Laser Multifunction Printer. For information on other documentation included with your Dell C2665dnf Color Laser Multifunction Printer, see "Finding Information."

 **NOTE:** In this manual, Dell C2665dnf Color Laser Multifunction Printer is referred to as the "printer."

Conventions

The following describe the meaning of the symbols and fonts used in this manual:

- | | | |
|--|---|---|
| Bold texts | : | <ul style="list-style-type: none">• Names of hardware button on the operator panel.• Screen name on the touch panel.• Menus, commands, windows, or dialog boxes displayed on the computer screen. |
| Texts in <code>Courier New</code> font | : | <ul style="list-style-type: none">• Menus and messages displayed on the touch panel.• Characters entered from the computer.• Directory paths. |
| < > | : | <ul style="list-style-type: none">• Key on the keyboard of the computer. |
| → | : | <ul style="list-style-type: none">• Indicates a path to a certain item within a procedure on a computer. |
| " " | : | <ul style="list-style-type: none">• Cross references in this manual.• Characters entered from the operator panel.• Messages displayed on the computer screen. |

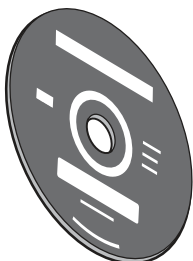
Finding Information

What are you looking for?

- Drivers for my printer
- My *User's Guide*

Find it here

Software and Documentation disc

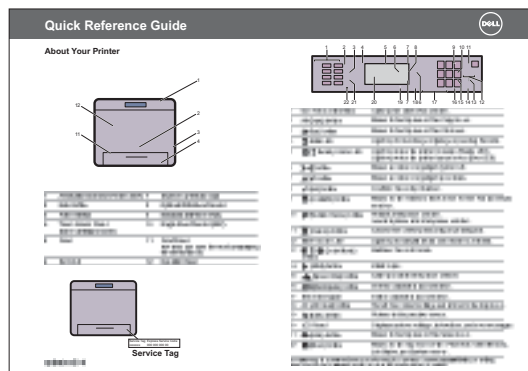


The *Software and Documentation* disc contains setup video, documentation, and drivers for your printer. You can use the *Software and Documentation* disc to install drivers or access your setup video and documentation.

Readme files may be included on your *Software and Documentation* disc to provide last-minute updates about technical changes to your printer or advanced technical reference material for experienced users or technicians.

-
- How to use my printer

Quick Reference Guide



NOTE: *Quick Reference Guide* may not be included in the package for some regions.

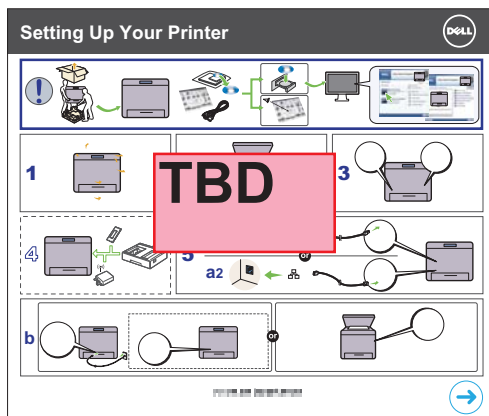
What are you looking for?

- Safety information
- Warranty information

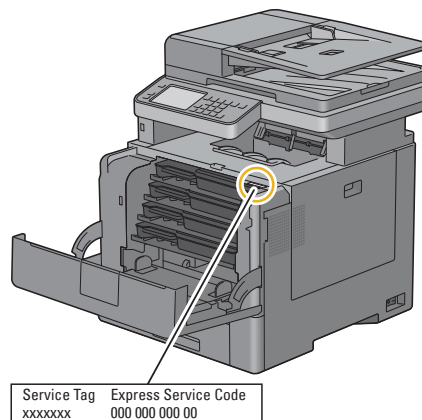
Find it here*Important Information*

WARNING: Read and follow all safety instructions in the *Important Information* prior to setting up and operating your printer.

-
- How to set up my printer

Setup diagram

-
- Express Service Code and Service Tag



The Express Service Code and Service Tag are located inside the front cover of your printer.

-
- Latest drivers for my printer
 - Documentation for my printer

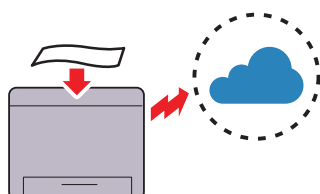
Go to dell.com/support.

What are you looking for?	Find it here
• Answers to technical service and support questions	<p>dell.com/support provides several online tools, including:</p> <ul style="list-style-type: none">• Solutions — Troubleshooting hints and tips, articles from technicians, and online courses• Upgrades — Upgrade information for components, such as the printer drivers• Customer Care — Contact information, order status, warranty, and repair information• Downloads — Drivers• Manuals— Printer documentation and product specifications <p>Go to dell.com/support. Select your region, and fill in the requested details to access help tools and information.</p>

Product Features

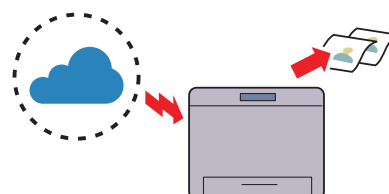
This chapter describes the product features and indicates their links.

Converting and storing with Dell Document Hub



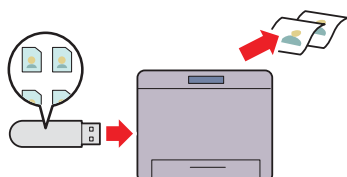
With the Dell Document Hub, you can scan hard copy documents and store them directly in your preferred cloud storage service. You can also convert hard copy documents into editable digital content before sending them to the cloud storage.

Printing with Dell Document Hub



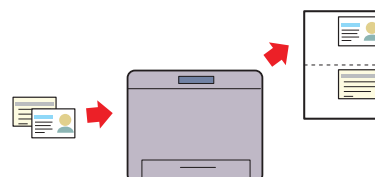
With the Dell Document Hub, you can easily locate and print documents stored in cloud storage. You can also search for files across multiple clouds storage services simultaneously.

Printing from USB Memory (USB Direct Print)



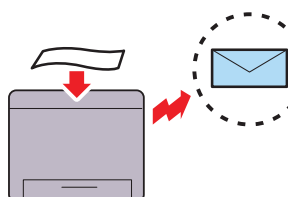
The USB Direct Print feature enables you to print files directly from a USB memory without requiring you to start your computer and an application.

Using the ID Copy (ID Copy)



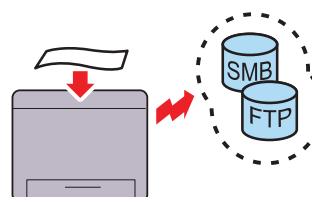
You can copy both sides of an ID card on one side of a single sheet of paper in its original size by tapping ID Copy on the touch panel. This feature helps to show both sides of an ID card in one page in its original size.

Sending an E-Mail With the Scanned Image (Scan to E-mail)



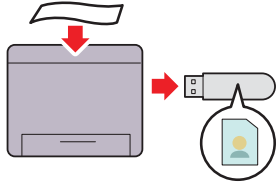
When you want to send scanned data by e-mail, use the Scan to E-mail feature. You can directly send the data scanned as an e-mail attachment. You can choose destination e-mail addresses from the address book on the printer or server. Or, you can enter the address from the touch panel on the printer's operator panel.

Scanning to a PC or Server via SMB/FTP (Scan to Network)



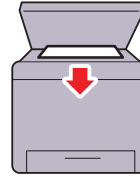
You can transfer data scanned to a PC or a server via SMB or FTP without service software. Although prior registration of the destination FTP server or PC on the address book is required, it helps save your time.

Scanning to a USB Memory (Scan to USB)



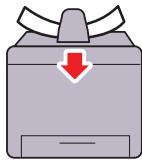
With the Scan to USB feature, you don't need a PC to connect a USB memory. You can specify the USB memory inserted into the printer's port as a data saving location when you scan data.

Making Copies From the Document Glass (Scan From Document Glass)



You can scan the pages of a book or a brochure from the document glass. When you scan documents using the document glass, place them facing down.

Making Copies From the DADF (Scan From DADF)



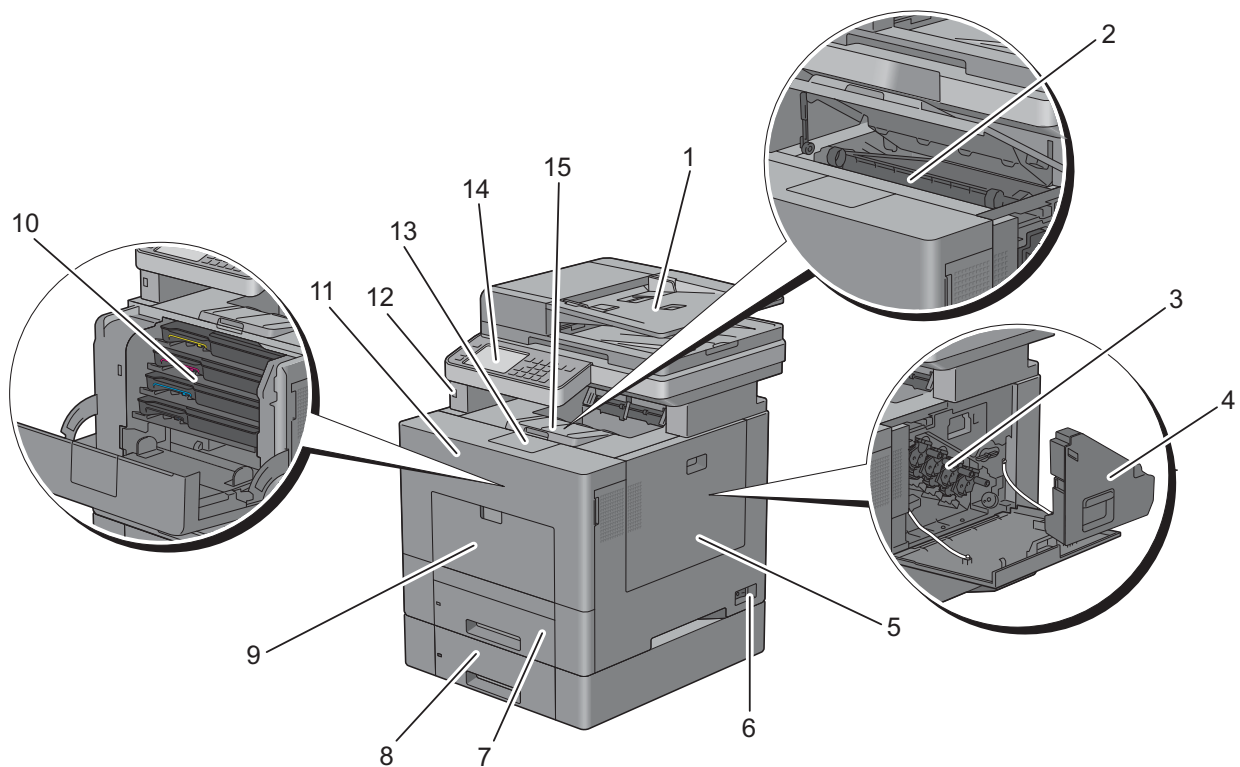
You can scan pieces of unbound paper using the duplex automatic document feeder (DADF). When you scan documents using the DADF, load them facing up.

About the Printer

This chapter provides an overview of your Dell™ C2665dnf Color Laser Multifunction Printer.

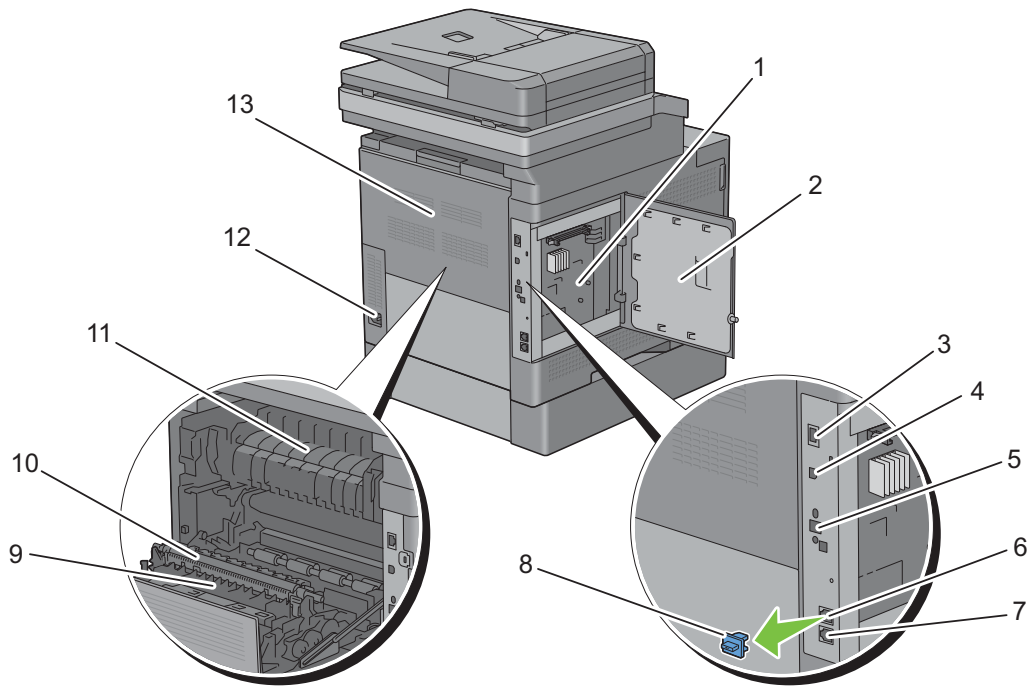
Front and Rear View

Front View



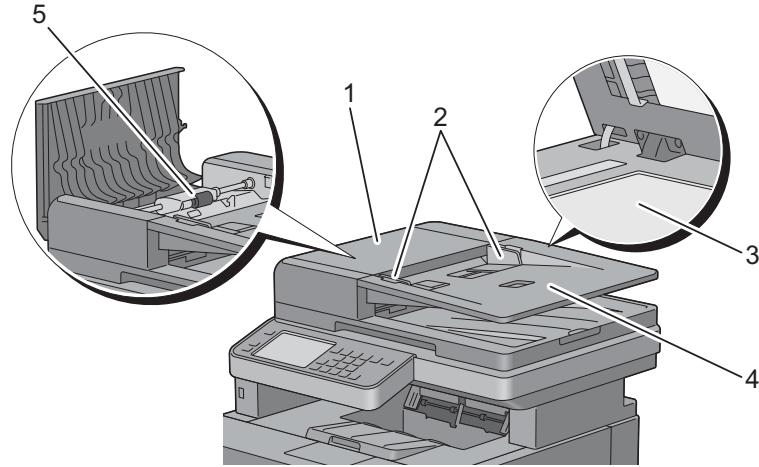
1	Duplex Automatic Document Feeder (DADF)	9	Multipurpose Feeder (MPF)
2	Transfer Belt Unit	10	Toner Cartridges
3	Drum Cartridges	11	Front Cover
4	Waste Toner Box	12	Front USB Port
5	Right Side Cover	13	Output Tray Extension
6	Power Switch	14	Operator Panel
7	Tray 1	15	Top Cover
8	Optional 550-Sheet Feeder (Tray 2)		

Rear View



1	Control Board	8	"Blue" Plug
2	Left Side Cover	9	Duplex Unit
3	Ethernet Port	10	2nd Belt Transfer Roller (2nd BTR)
4	USB Port	11	Fusing Unit
5	Wireless Adapter Socket	12	Power Connector
6	Phone Connector	13	Rear Cover
7	Wall Jack Connector		

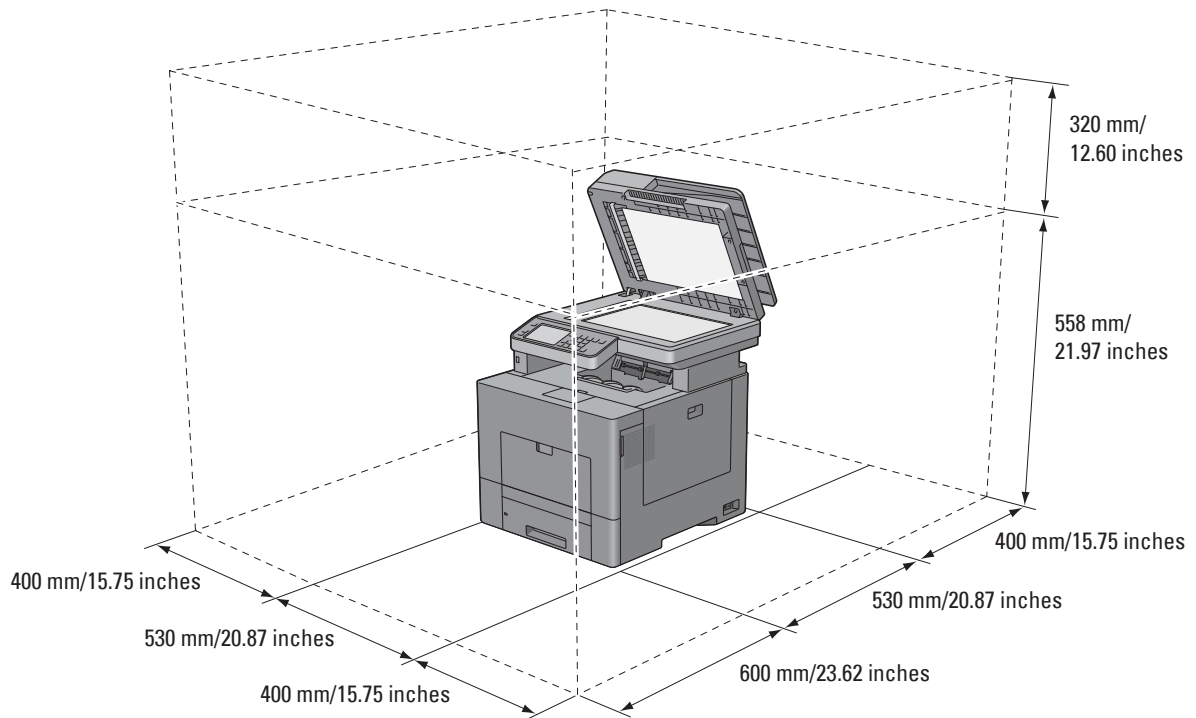
Duplex Automatic Document Feeder (DADF)



1	DADF Cover	4	Document Feeder Tray
2	Document Guides	5	DADF Feed Roller
3	Document Glass		

Space Requirements

Provide enough room to open the printer trays, covers, and optional accessories, and for proper ventilation.



Operator Panel



For more information on the operator panel, see "About the Operator Panel."

Additional Components

Optional Accessories

The following optional accessories are available for the printer.

- Wireless adapter
- Optional 550-sheet feeder

Non-bundled Items

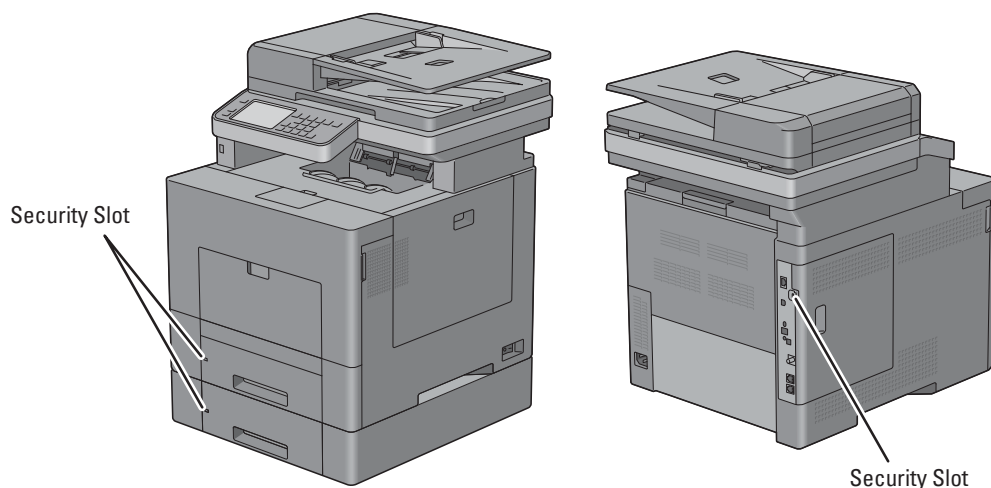
The following items are required for connecting the printer to a computer or a network. Please purchase them as needed.

- USB cable
- Ethernet cable

Securing the Printer

To protect your printer from theft, you can use the optional Kensington lock.

Attach the Kensington lock to the security slot on your printer.




For details, see the operating instructions supplied with the Kensington lock.

Ordering Supplies

You can order consumables from Dell online when using a networked printer. Enter the IP address of your printer in your web browser, launch the **Dell Printer Configuration Web Tool**, and click the web address under **Order Supplies at:** to order toner or supplies for your printer.

You can also order replacement toner cartridges or supplies from Dell by using the **Dell Supplies Management System**:

 **NOTE:** For Macintosh, start the Status Monitor Widget, and then select **Order Supplies** button to open **Order** window.

- 1 Double-click the icon on your desktop.



If you cannot find the icon on your desktop:

- a Right-click **DLRMM.EXE** under `x:\abc\Dell Printers\Additional Color Laser Software\Reorder`, where `x:\abc` is the location where the printer software is installed.
- b Choose **Send To** from the drop-down menu, and then click **Desktop (create shortcut)** on the submenu.

The **Dell Supplies Management System** window appears.

You can also launch the Dell Supplies Management System by clicking **Start** → **All Programs** → **Dell Printers** → **Additional Color Laser Software** → **Dell Supplies Management System**.

- 2 Click the **Visit Dell printer supplies ordering web site link** (www.dell.com/supplies), or order Dell printer supplies by phone.

To ensure that you get the best service, have your Dell printer's Service Tag ready.


For information regarding locating your Service Tag, see "Express Service Code and Service Tag."

Setting up the Printer (Printer Setup)

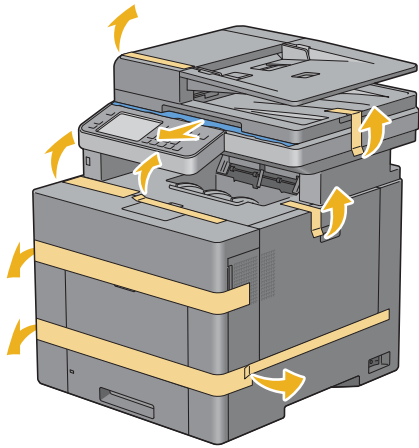
5	Preparing Printer Hardware.....	43
6	Installing Optional Accessories.....	45
7	Connecting Your Printer	59
8	Setting the IP Address	71
9	Loading Paper.....	75
10	Installing Printer Drivers on Windows® Computers	79
11	Installing Printer Drivers on Macintosh Computers.....	95
12	Installing Printer Drivers on Linux Computers (CUPS)	97

Preparing Printer Hardware

Removing Tape

 **NOTE:** The *Software and Documentation* disc also contains video instructions. On **Dell Printer Setup**, click **Installation Video**.

- 1 Remove tapes and the protective sheet from the printer.



Installing Optional Accessories

You can make the printer more functional by installing the optional accessories. This chapter describes how to install the printer's options such as the optional 550-sheet feeder (tray2) and wireless adapter.

Installing the Optional 550-Sheet Feeder

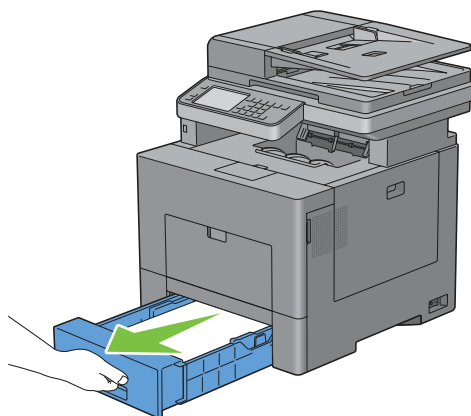
⚠ WARNING: If you install the optional 550-sheet feeder after setting up the printer, be sure to turn off the printer, unplug the power cable, and disconnect all cables from the back of the printer before starting this task.

✍ NOTE: The *Software and Documentation* disc also contains video instructions. On **Dell Printer Setup**, click **Installation Video**.

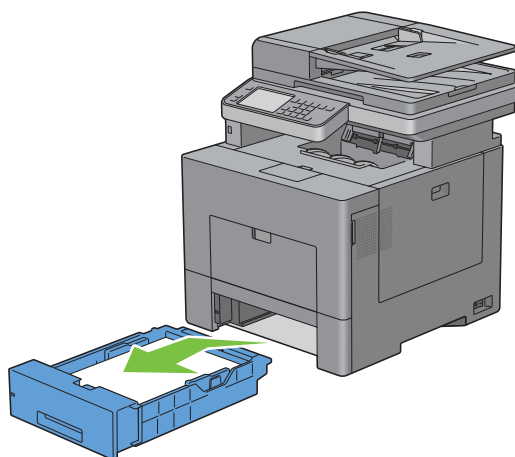
- 1 Ensure that the printer is turned off, and then disconnect all cables from the back of the printer.
- 2 Remove the tape and the bag holding the screws.

✍ NOTE: Save the screws as you will need them later.

- 3 Place the optional 550-sheet feeder in the same location that the printer is located.
- 4 Pull tray1 out of the printer about 200 mm.



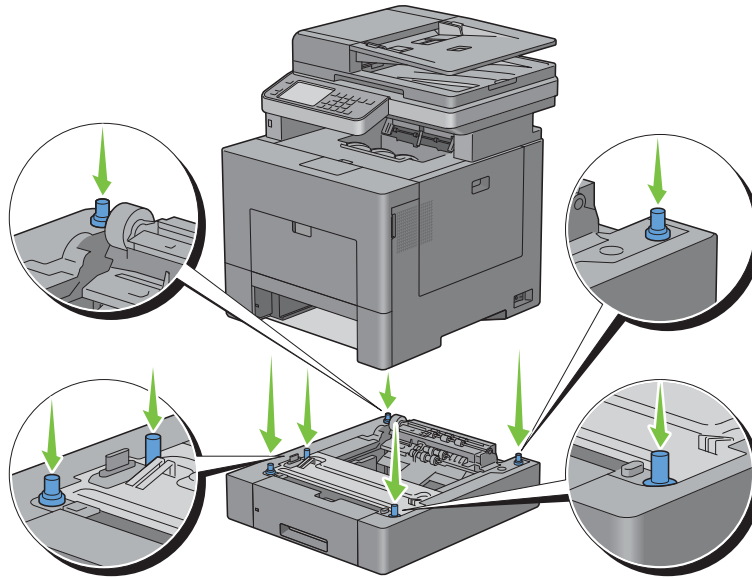
- 5 Hold tray1 with both hands, and remove it from the printer.



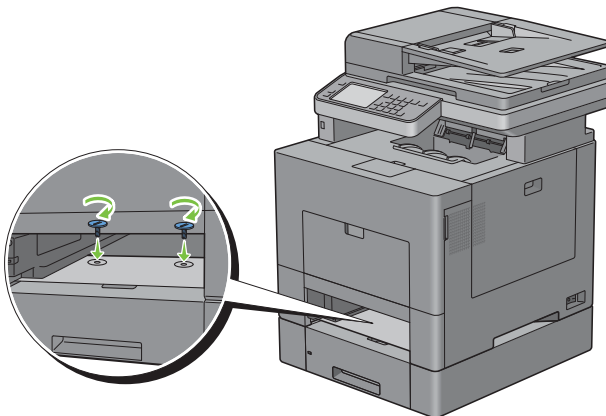
- 6 Lift the printer and align the five guide pins of the optional 550-sheet feeder with the holes at the bottom of the printer. Gently lower the printer onto the optional 550-sheet feeder.

 **WARNING:** Two people are required to lift the printer.

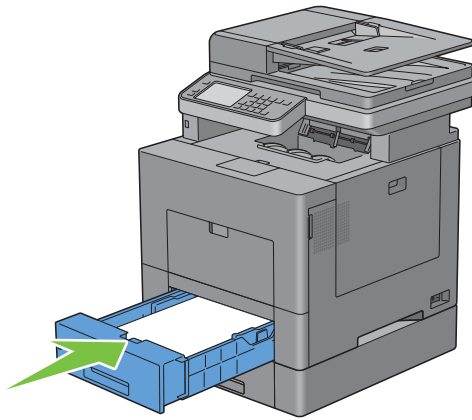
 **WARNING:** Be careful not to pinch your fingers when lowering the printer onto the optional 550-sheet feeder.



- 7 Secure the optional 550-sheet feeder to the printer by tightening the two screws provided with the feeder, using a coin or similar object.



- 8 Insert tray1 into the printer, and push until it stops.



- 9 Re-connect all cables into the back of the printer, and turn on the printer.
NOTE: The printer will automatically detect the attached tray but will not detect the paper type.
- 10 Print the system settings report to confirm that the optional 550-sheet feeder is installed correctly. For details about how to print a system settings report, see "Report / List."
- 11 Confirm **Tray2 (550 Sheet Feeder)** is listed in the system settings report under **Printer Options**. If the feeder is not listed, turn off the printer, unplug the power cable, and re-install the optional 550-sheet feeder.
- 12 After loading paper in the optional 550-sheet feeder, specify the paper type from the printer touch panel.
 - a Press the **i** (**Information**) button.
 - b Tap the **Tools** tab, and then tap **Tray Management**.
 - c Tap **Tray Settings**.
 - d Tap **Tray2**.
 - e Tap **Type**.
 - f Tap until the desired paper type appears, and then tap the desired paper type.
 - g Tap **OK**.
- 13 If you installed the optional 550-sheet feeder after installing the printer driver, update your driver by following the instructions for each operating system. If the printer is on a network, update the driver for each client.

Updating Your Driver to Detect 550-Sheet Feeder

When Using PCL Driver

Windows 8/
Windows 8 x64/
Windows Server 2012

- 1 Under Desktop mode, right-click the bottom left corner of the screen, and then click **Control Panel** → **Hardware and Sound (Hardware for Windows Server 2012)** → **Devices and Printers**.
- 2 Right-click the printer icon of the Dell C2665dnf Color Laser Multifunction Printer, and then select **Printer properties**.
- 3 Click the **Options** tab, and then select **Get Information from Printer**.
- 4 Click **Apply**, and then click **OK**.
- 5 Close the **Devices and Printers** dialog box.

Windows 7/ 7 x64/ Server 2008 R2 x64	<ol style="list-style-type: none"> 1 Click Start → Devices and Printers. 2 Right-click the printer icon of the Dell C2665dnf Color Laser Multifunction Printer, and then select Printer properties. 3 Click the Options tab, and then select Get Information from Printer. 4 Click Apply, and then click OK. 5 Close the Devices and Printers dialog box.
Windows Vista/Vista x64	<ol style="list-style-type: none"> 1 Click Start → Control Panel → Hardware and Sound → Printers. 2 Right-click the printer icon of the Dell C2665dnf Color Laser Multifunction Printer, and then select Properties. 3 Click the Options tab, and then select Get Information from Printer. 4 Click Apply, and then click OK. 5 Close the Printers dialog box.
Windows Server 2008/ Server 2008 x64	<ol style="list-style-type: none"> 1 Click Start → Control Panel → Printers. 2 Right-click the printer icon of the Dell C2665dnf Color Laser Multifunction Printer, and then select Properties. 3 Click the Options tab, and then select Get Information from Printer. 4 Click Apply, and then click OK. 5 Close the Printers dialog box.
Windows XP/XP x64/ Server 2003/ Server 2003 x64	<ol style="list-style-type: none"> 1 Click start → Printers and Faxes. 2 Right-click the printer icon of the Dell C2665dnf Color Laser Multifunction Printer, and then select Properties. 3 Click the Options tab, and then select Get Information from Printer. 4 Click Apply, and then click OK. 5 Close the Printers and Faxes dialog box.

If the printer information is not updated automatically after clicking **Get Information from Printer**, follow these steps:

- 1 Click the **Options** tab, and then select **Paper Tray Configuration** in the **Items** list box.
- 2 Select **Tray2** in the **Paper Tray Configuration** drop-down menu in **Change Setting for**.
- 3 Click **Apply**, and then click **OK**.
- 4 Close the **Printers and Faxes(Printers, or Devices and Printers)** dialog box.

When Using PS Driver

Windows 8/ Windows 8 x64/ Windows Server 2012	<ol style="list-style-type: none"> 1 Under Desktop mode, right-click the bottom left corner of the screen, and then click Control Panel → Hardware and Sound (Hardware for Windows Server 2012) → Devices and Printers. 2 Right-click the printer icon of the Dell C2665dnf Color Laser Multifunction Printer, and then select Printer properties. 3 Click the Configuration tab, and then select Bi-Directional Setup. 4 Select Get Information from Printer and then click OK. 5 Click Apply, and then click OK. 6 Close the Devices and Printers dialog box.
---	--

Windows 7/ 7 x64/ Server 2008 R2 x64	<ol style="list-style-type: none"> 1 Click Start → Devices and Printers. 2 Right-click the printer icon of the Dell C2665dnf Color Laser Multifunction Printer, and then select Printer properties. 3 Click the Configuration tab, and then select Bi-Directional Setup. 4 Select Get Information from Printer and then click OK. 5 Click Apply, and then click OK. 6 Close the Devices and Printers dialog box.
Windows Vista/Vista x64	<ol style="list-style-type: none"> 1 Click Start → Control Panel → Hardware and Sound → Printers. 2 Right-click the printer icon of the Dell C2665dnf Color Laser Multifunction Printer, and then select Properties. 3 Click the Configuration tab, and then select Bi-Directional Setup. 4 Select Get Information from Printer and then click OK. 5 Click Apply, and then click OK. 6 Close the Printers dialog box.
Windows Server 2008/ Server 2008 x64	<ol style="list-style-type: none"> 1 Click Start → Control Panel → Printers. 2 Right-click the printer icon of the Dell C2665dnf Color Laser Multifunction Printer, and then select Properties. 3 Click the Configuration tab, and then select Bi-Directional Setup. 4 Select Get Information from Printer and then click OK. 5 Click Apply, and then click OK. 6 Close the Printers dialog box.
Windows XP/XP x64/ Server 2003/ Server 2003 x64	<ol style="list-style-type: none"> 1 Click Start → Printers and Faxes. 2 Right-click the printer icon of the Dell C2665dnf Color Laser Multifunction Printer, and then select Properties. 3 Click the Configuration tab, and then select Bi-Directional Setup. 4 Select Get Information from Printer and then click OK. 5 Click Apply, and then click OK. 6 Close the Printers and Faxes dialog box.
<p>If the printer information is not updated automatically after clicking Get Information from Printer, follow these steps:</p> <ol style="list-style-type: none"> 1 Click the Configuration tab, and then select Installable Options. 2 Select Paper Tray Configuration in the Items list box. 3 Select Tray2 in the Paper Tray Configuration drop-down menu in Setting for. 4 Click OK. 5 Click Apply, and then click OK. 6 Close the Printers and Faxes (Printers, or Devices and Printers) dialog box. 	
Mac OS X 10.7.x/10.8.x	<ol style="list-style-type: none"> 1 Select the Print & Scan in System Preferences. 2 Select the printer in Printers list, and click Options & Supplies. 3 Select Driver, select the options that have been installed on the printers, and then click OK.
Mac OS X 10.5.x/10.6.x	<ol style="list-style-type: none"> 1 Select the Print & Fax in System Preferences. 2 Select the printer in Printers list, and click Options & Supplies. 3 Select Driver, select the options that have been installed on the printers, and then click OK.

When Using XML Paper Specification (XPS) Driver



NOTE: The XPS driver does not support Windows XP, XP x64, and Windows Server 2003.

Windows 8/ Windows 8 x64/ Windows Server 2012	<ol style="list-style-type: none"> 1 Under Desktop mode, right-click the bottom left corner of the screen, and then click Control Panel → Hardware and Sound (Hardware for Windows Server 2012) → Devices and Printers. 2 Right-click the printer icon of the Dell C2665dnf Color Laser Multifunction Printer, and then select Printer properties. 3 Click the Device Setting tab, and then select Available in Tray2 drop-down menu. 4 Click Apply, and then click OK. 5 Close the Devices and Printers dialog box.
Windows 7/ 7 x64/ Server 2008 R2 x64	<ol style="list-style-type: none"> 1 Click Start → Devices and Printers. 2 Right-click the printer icon of the Dell C2665dnf Color Laser Multifunction Printer, and then select Printer properties. 3 Click the Device Setting tab, and then select Available in Tray2 drop-down menu. 4 Click Apply, and then click OK. 5 Close the Devices and Printers dialog box.
Windows Vista/Vista x64	<ol style="list-style-type: none"> 1 Click Start → Control Panel → Hardware and Sound → Printers. 2 Right-click the printer icon of the Dell C2665dnf Color Laser Multifunction Printer, and then select Properties. 3 Click the Device Setting tab, and then select Available in Tray2 drop-down menu. 4 Click Apply, and then click OK. 5 Close the Printers dialog box.
Windows Server 2008/ Server 2008 x64	<ol style="list-style-type: none"> 1 Click Start → Control Panel → Printers. 2 Right-click the printer icon of the Dell C2665dnf Color Laser Multifunction Printer, and then select Properties. 3 Click the Device Setting tab, and then select Available in Tray2 drop-down menu. 4 Click Apply, and then click OK. 5 Close the Printers dialog box.

Installing the Optional Wireless Adapter


The wireless adapter allows you to use the printer with wireless network connection.

The specifications of the wireless adapter are described below.

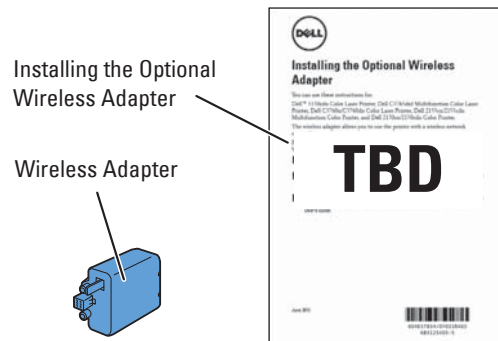
Item	Specification
Connectivity Technology	Wireless
Compliant Standards	IEEE 802.11b, 802.11g, and 802.11n
Bandwidth	2.4 GHz
Data Transfer Rate	IEEE 802.11n: 65 Mbps IEEE 802.11g: 54, 48, 36, 24, 18, 12, 9, and 6 Mbps IEEE 802.11b: 11, 5.5, 2, and 1 Mbps
Security	64 (40-bit key)/128 (104-bit key) WEP, WPA-PSK (TKIP, AES), WPA2-PSK (AES), WPA-Enterprise (TKIP, AES) ^{*1} , WPA2-Enterprise (AES) ^{*1}
Wi-Fi Protected Setup [®] (WPS) ^{*2}	Push-Button Configuration (PBC), Personal Identification Number (PIN)

^{*1} EAP method supports PEAPv0, EAP-TLS, EAP-TTLS PAP, and EAP-TTLS CHAP.

^{*2} WPS 2.0 compliant. WPS 2.0 works on access points with the following encryption types: Mixed mode PSK, WPA-PSK AES, WPA2-PSK AES, WPA-PSK TKIP, Open (No Security)


 **NOTE:** When the wireless adapter is installed, you cannot use IEEE 802.1x authentication and/or the Ethernet port for a wired connection.

Verifying the Contents of the Box

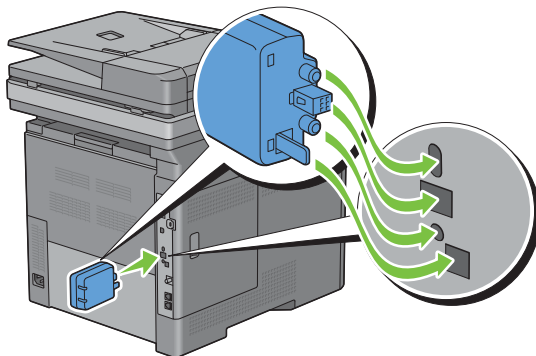


 **NOTE:** To complete wireless installation, you require the corresponding *Software and Documentation* disc that comes with your printer, which can also be downloaded from dell.com/support.

Installing the Optional Wireless Adapter

 **NOTE:** The *Software and Documentation* disc also contains video instructions. On **Dell Printer Setup**, click **Installation Video**.

- 1 Ensure that the printer is turned off.
- 2 Align the connector and the three protrusions of the wireless adapter with the four holes and insert the adapter.

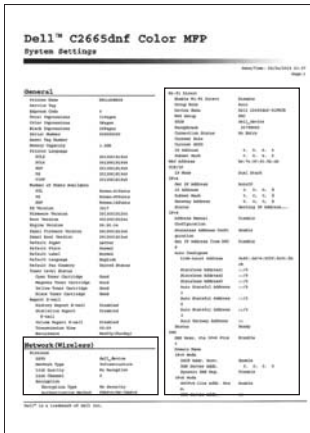


 **NOTE:** Ensure that the adapter is fully inserted and secured.

- 3 Turn on the printer.

 **NOTE:** If a message displays telling you to make initial setup on the touch panel, always do as instructed.

- 4 Print the system settings report to confirm that the wireless adapter is installed correctly.
For details about how to print a system settings report, see "Report / List."
- 5 Confirm that the Network (Wireless) section exists.



- 6 Configure the wireless adapter to connect to a wireless network. For details, see "Configuring the Optional Wireless Adapter."

Determining the Wireless Network Settings

You need to know the settings for the wireless network to set up the wireless printer. For details of the settings, contact your network administrator.

Wireless Settings	SSID	Specifies the name that identifies the wireless network with up to 32 alphanumeric characters.
	Network Mode	Specifies the network mode from Ad-hoc or Infrastructure.
Security Settings	Security	Selects the encryption type from No Security, Mixed mode PSK*, WPA-PSK-TKIP, WPA2-PSK-AES, and WEP.
	Transmit Key	Specifies the transmit key from the list.
	WEP Key	Specifies the WEP key used through the wireless network only when WEP is selected as the encryption type.
	Pass Phrase	Specifies the pass phrase of alphanumeric characters from 8 to 63 bytes long only when Mixed mode PSK*, WPA-PSK-TKIP, or WPA2-PSK-AES is selected as the encryption type.
* Mixed mode PSK automatically selects an available encryption type from WPA-PSK-TKIP, WPA-PSK-AES, or WPA2-PSK-AES.		

Configuring the Optional Wireless Adapter

This section describes how to configure a wireless adapter.

You can select a method to configure a wireless adapter from the following:

Wizard Setup through USB Cable(recommended)	WPS-PBC ^{*1*3}
	WPS-PIN ^{*2*3}
Advanced Setup through	Operator Panel
	Ethernet Cable
	Dell Printer Configuration Web Tool

*1 WPS-PBC (Wi-Fi Protected Setup-Push Button Configuration) is a method to authenticate and register devices required for wireless configuration, by pressing the button provided on the access point via wireless routers, and then performing WPS-PBC setting on the operator panel. This setting is available only when the access point supports WPS.

*2 WPS-PIN (Wi-Fi Protected Setup-Personal Identification Number) is a method to authenticate and register devices required for wireless configuration, by entering PIN assignments in the printer and computer. This setting, performed through access point, is available only when the access points of your wireless router supports WPS.

*3 WPS 2.0 compliant. WPS 2.0 works on access points with the following encryption types: Mixed mode PSK, WPA-PSK AES, WPA2-PSK AES, WPA-PSK TKIP, Open (No Security)

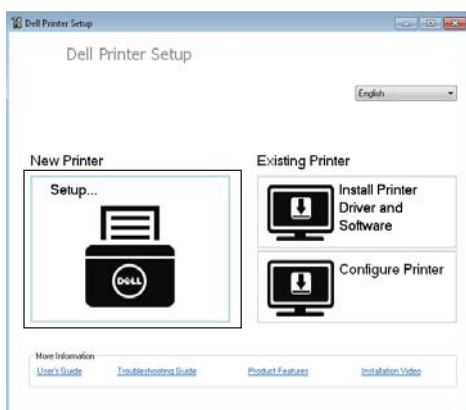
NOTE: The optional wireless adapter must be installed on the printer. For information on how to install a wireless adapter, see "Installing the Optional Wireless Adapter."

NOTE: If the Panel Lock Control is set to Enable, you need to enter the four digit password to enter the Admin Settings menu.

NOTE: For details about using WPA-Enterprise-AES, WPA2-Enterprise-AES, or WPA-Enterprise-TKIP, see "Using Digital Certificates."

Configuring the Wireless Adapter Using Dell Printer Setup

- 1 Insert the *Software and Documentation* disc provided with the printer on your computer. The **Dell Printer Setup** file launches automatically.
- 2 Click **Setup**.



- 3 Click **Wireless**.


Follow the on-screen instructions, and configure the wireless setting of the printer.


For WPS-PIN, WPS-PBC, Operator Panel, and Dell Printer Configuration Web Tool, see the following instructions.


Configuring the Wireless Adapter Without Using Dell Printer Setup

WPS-PIN

The PIN code of WPS-PIN can only be configured from the operator panel.

 **NOTE:** WPS-PIN (Wi-Fi Protected Setup-Personal Identification Number) is a method to authenticate and register devices required for wireless configuration by entering PIN assignments to a printer and computer. This setting, performed through an access point, is available only when the access points of your wireless router support WPS.


- 1 Press the  (Information) button.
- 2 Tap the Tools tab, and then tap Admin Settings.
- 3 Tap Network.
- 4 Tap Wireless.
- 5 Tap WPS Setup.
- 6 Tap PIN Code.
- 7 Write down the displayed 8-digit PIN code or tap Print PIN Code. The PIN code is printed.
- 8 Tap Start Configuration.
- 9 Ensure that the message Operate Wireless Router is displayed, and enter the PIN code displayed on step 7 into the wireless LAN access point (Registrar).


 **NOTE:** For WPS operation on the wireless LAN access point, refer to the manual supplied with the wireless LAN access point.


- 10 When the WPS operation is successful and the printer is rebooted, wireless LAN connection setting is completed.

WPS-PBC

You can start Push Button Control only from the operator panel.



 **NOTE:** WPS-PBC (Wi-Fi Protected Setup-Push Button Configuration) is a method to authenticate and register devices required for wireless configuration by pressing the button provided on the access point via wireless routers, and then performing WPS-PBC setting on the operator panel. This setting is available only when the access point supports WPS.

 **NOTE:** Before starting WPS-PBC, confirm the position of the WPS button (button name may vary) on the wireless LAN access point. For information about WPS operation on the wireless LAN access point, refer to the manual supplied with the wireless LAN access point.

- 1 Press the  (Information) button.
- 2 Tap the Tools tab, and then tap Admin Settings.
- 3 Tap Network.
- 4 Tap Wireless.
- 5 Tap WPS Setup.
- 6 Tap Push Button Control.
- 7 Tap Start Configuration.
Ensure that the message Push WPS Button on router is displayed, and start the WPS-PBC on the wireless LAN access point (Registrar) within two minutes.
- 8 When the WPS operation is successful and the printer is rebooted, wireless LAN connection setting is completed.

Operator Panel


Auto SSID Setup

- 1 Press the  (Information) button.
- 2 Tap the Tools tab, and then tap Admin Settings.
- 3 Tap Network.
- 4 Tap Wireless.
- 5 Tap Wireless Setup Wizard.
The printer automatically searches the access points on wireless network.
- 6 Tap  until the desired access point appears, and then select the access point.
If the desired access point does not appear, go to "Manual SSID Setup."

 **NOTE:** Some hidden SSID may not be displayed. If the SSID is not detected turn on SSID broadcast from the router.

- 7 Tap Next.
- 8 Enter the WEP key or pass phrase.
When the encryption type of the selected access point is WEP in step 6:
 - a Tap the WEP Key text box, and then enter the WEP key.
 - b Tap OK.When the encryption type of the selected access point is WPA, WPA2 or Mixed in step 6:
 - a Tap the Pass Phrase text box, and then enter the pass phrase.
 - b Tap OK.
- 9 The Restart System screen appears.
- 10 Turn off the printer, and turn it on again to apply the settings.
Wireless LAN connection setting is complete.

Manual SSID Setup

- 1 Press the  (Information) button.
- 2 Tap the Tools tab, and then tap Admin Settings.
- 3 Tap Network.
- 4 Tap Wireless.
- 5 Tap Wireless Setup Wizard.
- 6 Tap the Manual SSID Setup check box, and then tap Next.
- 7 Enter the SSID, and then tap Next.
- 8 Select the network mode from Infrastructure and Ad-hoc depending on your environment, and then tap Next.
If you select Infrastructure, proceed to step 9.
If you select Ad-hoc, proceed to step 10.

- 9 Select the encryption type from `No Security`, `Mixed mode PSK`, `WPA-PSK-TKIP`, `WPA2-PSK-AES`, or `WEP`.

If you do not set security for your wireless network:

- a Tap until `No Security` appears, and then tap `No Security`.
- b Tap `OK`.

To use `Mixed mode PSK`, `WPA-PSK-TKIP`, or `WPA2-PSK-AES` encryption:

- a Tap until `Mixed mode PSK`, `WPA-PSK-TKIP`, or `WPA2-PSK-AES` appears, and then tap the desired encryption type.
- b Tap the `Pass Phrase` text box, and then enter the pass phrase.
- c Tap `OK`.

To use `WEP` encryption:

- a Tap until `WEP` appears, and then tap `WEP`.
- b Tap the `WEP Key` text box, and then enter the `WEP` key.
- c Tap `Transmit Key`, and then select the desired transmit key from `Auto` or `WEP Key 1` to `WEP Key 4`.
- d Tap `OK`.

Proceed to step 11.

- 10 Select the encryption type from `No Security` or `WEP`.

If you do not set security for your wireless network:

- a Tap until `No Security` appears, and then tap `No Security`.
- b Tap `OK`.

To use `WEP` encryption:

- a Tap until `WEP` appears, and then tap `WEP`.
- b Tap the `WEP Key` text box, and then enter the `WEP` key.
- c Tap `Transmit Key`, and then select the desired transmit key from `Auto` or `WEP Key 1` to `WEP Key 4`.
- d Tap `OK`.

- 11 The `Restart System` screen appears.

- 12 Turn off the printer, and turn it on again to apply the settings.


Wireless LAN connection setting is complete.

Dell Printer Configuration Web Tool



NOTE: For details about using `WPA-Enterprise-AES`, `WPA2-Enterprise-AES`, or `WPA-Enterprise-TKIP`, see "Using Digital Certificates."

- 1 Ensure that the printer is turned off and the wireless adapter is connected to the printer.
- 2 Connect the printer to the network with an Ethernet cable.
For details about how to connect the Ethernet cable, see "Connecting Printer to Computer or Network."
- 3 Turn on the printer.
- 4 Launch the **Dell Printer Configuration Web Tool** by entering the IP address of the printer in your web browser.
- 5 Click **Print Server Settings**.
- 6 Click **Print Server Settings** tab.
- 7 Click **Wireless LAN**.


- 8 Enter the SSID in the SSID text box.
- 9 Select Ad-Hoc or Infrastructure in the Network Type drop-down list box.
- 10 Select the encryption type from No Security, WEP, WPA-PSK-TKIP, WPA-PSK-AES/WEP2-PSK AES, and Mixed Mode PSK in the Encryption drop-down list box, and then set each item for the encryption type selected.
 -  **NOTE:** For details on each item, see "Dell™ Printer Configuration Web Tool."
- 11 Click Apply New Settings to apply the settings.
- 12 Turn off the printer, disconnect the Ethernet cable and turn it on again.
Wireless LAN connection setting is complete.



Reconfiguring the Wireless Setting

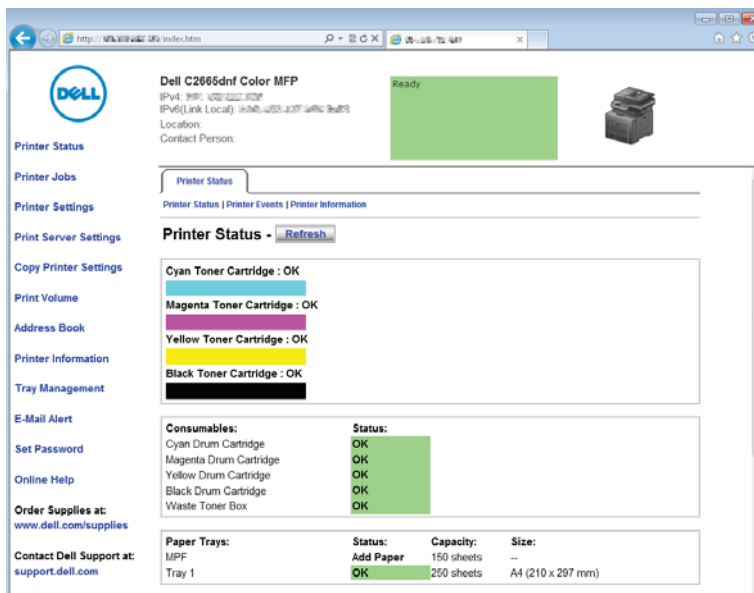
To change the wireless setting from your computer, perform the following.

-  **NOTE:** To change the wireless setting through wireless connection, ensure that the wireless connection setting is completed in "Configuring the Optional Wireless Adapter."

Reconfiguring the Wireless Setting Using Dell Printer Configuration Web Tool

-  **NOTE:** The following settings are available when the network mode is set to infrastructure in "Configuring the Optional Wireless Adapter."

- 1 Check the IP address of the printer.
 - a Press the  (Information) button.
 - b Tap About This MFP.
 - c Tap the Network tab.
 - d Tap  button until IP (v4) Address appears, and then check the IP address displayed in the IP (v4) Address.
- 2 Launch the Dell Printer Configuration Web Tool by entering the IP address of the printer in your web browser.



- 3 Click Print Server Settings.

- 4 Click **Print Server Settings** tab.
- 5 Click **Wireless LAN**.
- 6 Change the wireless setting of the printer.
- 7 Reboot the printer.
- 8 Change the wireless settings on your computer or access point accordingly.



NOTE: To change the wireless settings on your computer, refer to the manuals provided with the wireless adapter or if your computer provides a wireless adapter tool, change the wireless settings using that tool.

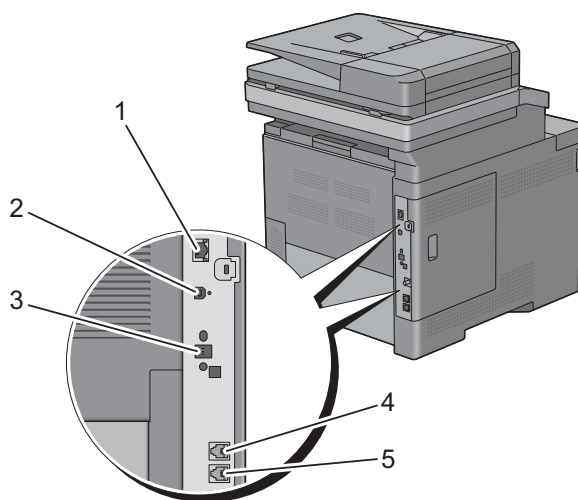
Reconfiguring the Wireless Setting Using Dell Printer Setup

- 1 Insert the *Software and Documentation* disc provided with the printer in your computer. The **Dell Printer Setup** file launches automatically.
- 2 Click **Configure Printer**.
- 3 Click **Wireless Configuration**.
- 4 Follow the on-screen instructions, and change the wireless setting of the printer.

Connecting Your Printer

To connect your Dell™ C2665dnf Color Laser Multifunction Printer to a computer or device, the following specification must be met for each of the connection type:

Connection type	Connection specifications
Ethernet	10 Base-T/100 Base-TX/1000 Base-T
USB	USB 2.0
Wireless (optional)	IEEE 802.11b/802.11g/802.11n
Phone connector	RJ11
Wall jack connector	RJ11



1 Ethernet port



2 USB port



3 Wireless adapter socket



4 Phone connector

PHONE




5 Wall jack connector

LINE



Connecting Printer to Computer or Network

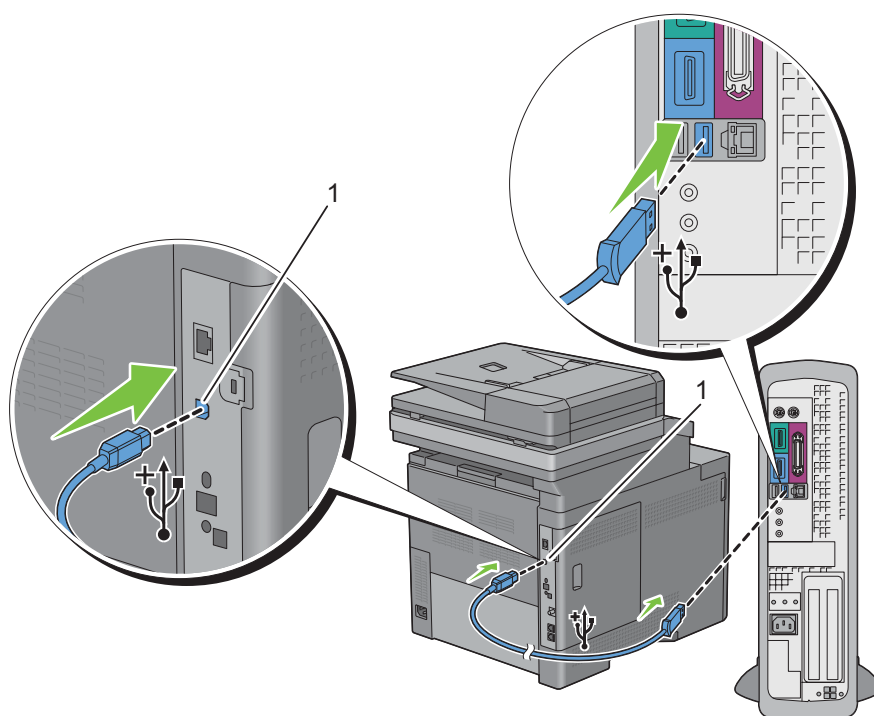
 **NOTE:** The *Software and Documentation* disc also contains video instructions. On **Dell Printer Setup**, click **Installation Video**.

Direct Connection

A local printer is a printer which is directly connected to your computer using the USB cable. If your printer is connected to a network instead of your computer, skip this section and go to "Network Connection."

To connect the printer to a computer:

- 1 Connect the smaller USB connector into the USB port at the back of the printer.



1 USB port

 **NOTE:** Ensure that you match the USB symbol on the cable to the USB symbol on the printer.

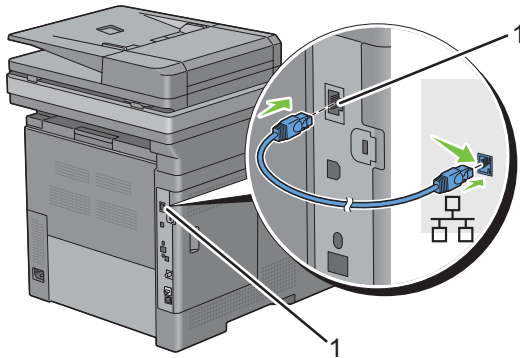
- 2 Connect the other end of the cable into a USB port of the computer.

 **CAUTION:** Do not connect the printer USB cable to the USB port available on the keyboard.

Network Connection

To connect the printer to a network:


- 1 Connect the Ethernet cable.




1 Ethernet port


To connect the printer to the network, connect one end of an Ethernet cable into the Ethernet port on the rear of the printer, and the other end to a LAN drop or hub. To setup a wireless connection, insert the wireless adapter into the wireless adapter socket on the back of the printer.

For a wireless connection, see "Installing the Optional Wireless Adapter."

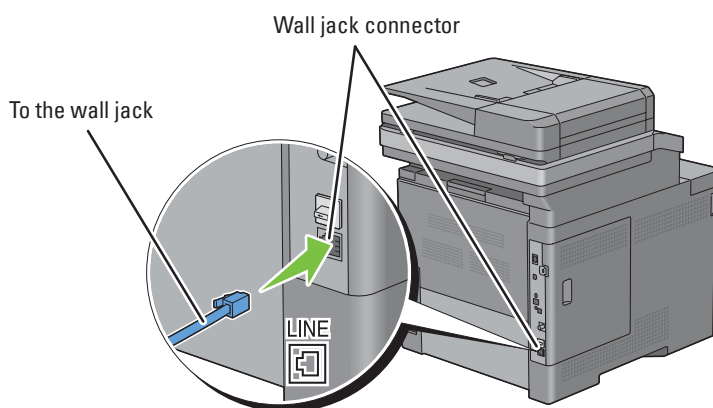
 **NOTE:** To use the wireless adapter, be sure to disconnect the Ethernet cable.

Connecting the Telephone Line

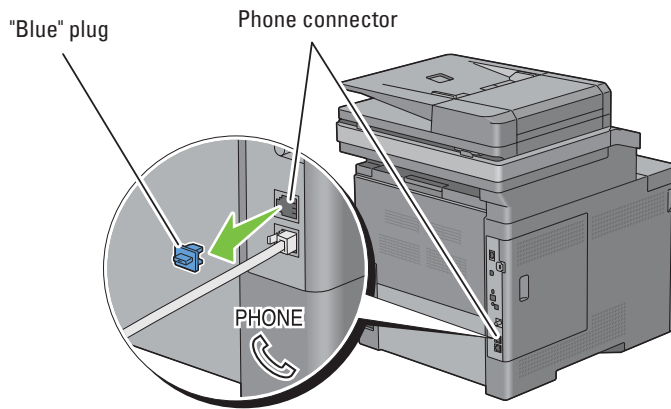
 **CAUTION:** Do not connect your printer directly to a Digital Subscriber Line (DSL). This may damage the printer. To use a DSL, you will need to use an appropriate DSL filter. Contact your service provider for the DSL filter.

 **NOTE:** The *Software and Documentation* disc also contains video instructions. On **Dell Printer Setup**, click **Installation Video**.

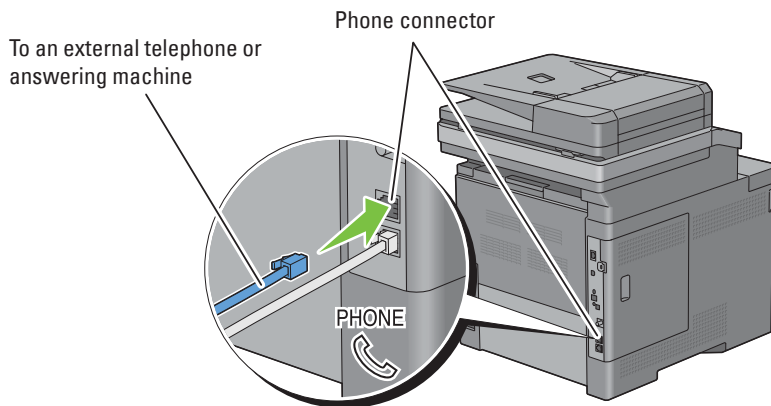
- 1 Connect one end of a telephone line cord into the wall jack connector and the other end into an active wall jack.



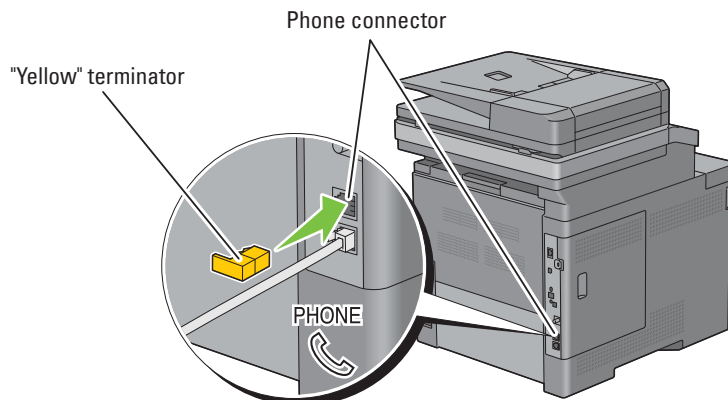
- 2 Remove the "Blue" plug from the phone connector.



- 3 To connect a telephone and/or answering machine to your printer, connect the telephone or answering machine line cord into the phone connector (PHONE).



If the phone communication is serial in your country (such as Germany, Sweden, Denmark, Austria, Belgium, Italy, France and Switzerland), and that you are supplied with a "Yellow" terminator, insert the "Yellow" terminator into the phone connector (PHONE).



Turning on the Printer



WARNING: Do not use extension cords or power strips.

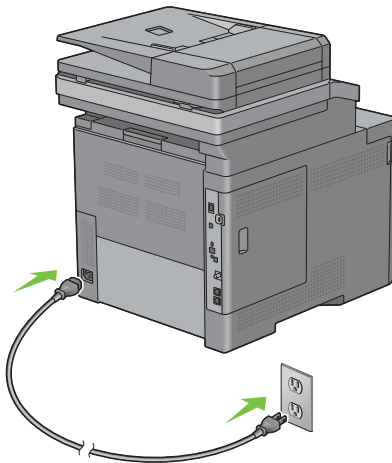


WARNING: The printer should not be connected to an Uninterruptible Power Supply (UPS) system.



NOTE: The *Software and Documentation* disc also contains video instructions. On **Dell Printer Setup**, click **Installation Video**.

- 1 Connect the power cable to the power connector on the rear of the printer, and then to a power source.



- 2 Turn on the printer. When the printer is connected via a USB cable, the USB driver is automatically installed.

Setting Initial Settings on the Operator Panel

You need to set the printer language, country, clock date, time, and fax settings when you turn on printer for the first time.

When you turn the printer on, the wizard screen to perform the initial setup appears on the touch panel. Follow the steps below to set the initial settings.



NOTE: If you do not start configuring the initial settings, the printer automatically restarts in three minutes, and the **Home** screen appears on the touch panel. After that, you can set the following initial setup by enabling **Power on Wizard** on the touch panel or **Dell Printer Configuration Web Tool** if needed.

For more information on operator panel, see "Operator Panel."

For more information on **Dell Printer Configuration Web Tool**, see "Dell™ Printer Configuration Web Tool."

- 1 The **Select Your Language** screen appears.
 - a Tap until desired language appears, and then tap the desired language.

English
Français
Italiano
Deutsch
Español
Dansk
Nederlands

Norsk

Svenska

b Tap Next.

2 The **Date & Time** screen appears.

a Tap **Time Zone**.

b Tap until the desired geographic region appears, and then tap the desired geographic region.

c Tap until the desired time zone appears, and then tap the desired time zone.

Geographic Region	Time Zone
Africa	(UTC) Accra, Bamako, Dakar, Nouakchott
	(UTC) Casablanca
	(UTC +01:00) Algiers, Douala, Libreville, Luanda
	(UTC +01:00) Tunis
	(UTC +01:00) Windhoek
	(UTC +02:00) Cairo
	(UTC +02:00) Harare, Johannesburg, Kinshasa, Tripoli
	(UTC +03:00) Addis Ababa, Khartoum, Mogadishu, Nairobi
Americas	(UTC -10:00) Adak
	(UTC -09:00) Alaska
	(UTC -08:00) Pacific Time (US & Canada)
	(UTC -08:00) Tijuana
	(UTC -07:00) Arizona, Dawson Creek, Sonora
	(UTC -07:00) Chihuahua, Mazatlan
	(UTC -07:00) Mountain Time (US & Canada)
	(UTC -06:00) Cancun, Mexico City, Monterrey
	(UTC -06:00) Central America
	(UTC -06:00) Central Time (US & Canada)
	(UTC -06:00) Saskatchewan
	(UTC -05:00) Atikokan, Resolute
	(UTC -05:00) Bogota, Lima, Panama, Quito
	(UTC -05:00) Cayman Islands, Jamaica, Port-au-Prince
	(UTC -05:00) Eastern Time (US & Canada)
	(UTC -05:00) Grand Turk
	(UTC -05:00) Havana
	(UTC -04:30) Caracas
	(UTC -04:00) Asuncion
	(UTC -04:00) Atlantic Time (Canada)
(UTC -04:00) Blanc-Sablon	
(UTC -04:00) Caribbean Islands	
(UTC -04:00) Cuiaba	

Geographic Region	Time Zone
Americas	(UTC -04:00) Georgetown, La Paz, Manaus
	(UTC -04:00) Thule
	(UTC -03:30) St. John's
	(UTC -03:00) Brasilia, Cayenne, Paramaribo
	(UTC -03:00) Buenos Aires
	(UTC -03:00) Greenland
	(UTC -03:00) Miquelon
	(UTC -03:00) Montevideo
	(UTC -02:00) Noronha
Antarctica	(UTC -04:00) Palmer Archipelago, Santiago
	(UTC -03:00) Rothera
	(UTC +03:00) Syowa
	(UTC +06:00) Mawson, Vostok
	(UTC +07:00) Davis
	(UTC +08:00) Casey
	(UTC +10:00) Dumont d'Urville
(UTC +12:00) McMurdo	
Asia	(UTC +02:00) Amman
	(UTC +02:00) Beirut
	(UTC +02:00) Damascus
	(UTC +02:00) Jerusalem
	(UTC +02:00) Nicosia
	(UTC +02:00) Palestine
	(UTC +03:00) Aden, Baghdad, Qatar, Riyadh
	(UTC +03:30) Tehran
	(UTC +04:00) Baku
	(UTC +04:00) Dubai, Muscat, Tbilisi
	(UTC +04:00) Yerevan
	(UTC +04:30) Kabul
	(UTC +05:00) Aqtau, Aqtobe, Ashgabat, Samarkand
	(UTC +05:00) Ekaterinburg
	(UTC +05:00) Karachi
	(UTC +05:30) Colombo, Kolkata
	(UTC +05:45) Kathmandu
	(UTC +06:00) Almaty, Bishkek, Dhaka, Thimphu
	(UTC +06:00) Novosibirsk, Omsk
	(UTC +06:30) Yangon (Rangoon)
	(UTC +07:00) Bangkok, Ho Chi Minh, Hovd, Jakarta
	(UTC +07:00) Krasnoyarsk
	(UTC +08:00) Chongqing, Hong Kong, Shanghai
(UTC +08:00) Irkutsk	

Geographic Region	Time Zone
Asia	(UTC +08:00) Kuala Lumpur, Makassar, Manila, Singapore
	(UTC +08:00) Taipei
	(UTC +08:00) Ulaan Baatar
	(UTC +09:00) Dili, Jayapura
	(UTC +09:00) Pyongyang
	(UTC +09:00) Seoul
	(UTC +09:00) Tokyo
	(UTC +09:00) Yakutsk
	(UTC +10:00) Sakhalin, Vladivostok
	(UTC +11:00) Magadan
	(UTC +12:00) Anadyr, Kamchatka
Atlantic Ocean	(UTC -04:00) Bermuda
	(UTC -04:00) Stanley
	(UTC -02:00) South Georgia Island
	(UTC -01:00) Azores, Scoresbysund
	(UTC -01:00) Cape Verde
	(UTC) Reykjavik
Australia	(UTC +08:00) Perth
	(UTC +08:45) Eucla
	(UTC +09:30) Adelaide
	(UTC +09:30) Darwin
	(UTC +10:00) Brisbane, Lindeman
	(UTC +10:00) Hobart, Melbourne, Sydney
(UTC +10:30) Lord Howe Island	
Europe	(UTC) Dublin, Edinburgh, Lisbon, London
	(UTC +01:00) Amsterdam, Berlin, Rome, Stockholm, Vienna
	(UTC +01:00) Belgrade, Bratislava, Budapest, Prague
	(UTC +01:00) Brussels, Copenhagen, Madrid, Paris
	(UTC +01:00) Sarajevo, Skopje, Warsaw, Zagreb
	(UTC +02:00) Athens, Bucharest, Istanbul
	(UTC +02:00) Helsinki, Kiev, Riga, Sofia
	(UTC +02:00) Kaliningrad, Minsk
	(UTC +03:00) Moscow
	(UTC +04:00) Samara
Indian Ocean	(UTC +03:00) Antananarivo, Comoro Islands, Mayotte
	(UTC +04:00) Mahe, Reunion
	(UTC +04:00) Mauritius
	(UTC +05:00) Kerguelen, Maldives
	(UTC +06:00) Chagos
	(UTC +06:30) Cocos Islands
	(UTC +07:00) Christmas Island

Geographic Region	Time Zone
Pacific Ocean	(UTC -11:00) Midway Island, Niue, Samoa
	(UTC -10:00) Cook Islands, Hawaii, Tahiti
	(UTC -09:30) Marquesas Islands
	(UTC -09:00) Gambier Islands
	(UTC -08:00) Pitcairn Islands
	(UTC -06:00) Easter Island
	(UTC -06:00) Galapagos Islands
	(UTC +09:00) Palau
	(UTC +10:00) Guam, Port Moresby, Saipan
	(UTC +11:00) Efate, Guadalcanal, Kosrae
	(UTC +11:30) Norfolk Island
	(UTC +12:00) Auckland
	(UTC +12:00) Fiji, Marshall Islands
	(UTC +12:45) Chatham
	(UTC +13:00) Tongatapu
(UTC +14:00) Kiritimati	

- d** Tap OK.
- e** Tap Date.
- f** Select a date format from the menu displayed by selecting Format.

YYYY/MM/DD
DD/MM/YYYY
MM/DD/YYYY

- g** After tapping the box under Year, tap - or +, or use the number pad to enter the desired value. Repeat this step to enter the desired value for Month and Day.
 - h** Tap OK.
 - i** Tap Time.
 - j** Select the time format from 12 Hour or 24 Hour. If you select 12 Hour, select AM or PM.
 - k** After tapping the box under Hour, use the number pad to enter the desired value. Repeat this step to enter the desired value for Minute.
 - l** Tap OK.
 - m** Tap Next.
- 3** The Fax (Do you want to setup Fax Now?) screen appears.
- To set Fax settings, select Yes, Setup FAX and follow the procedure below. To end the settings, select No, I'll Do It Later and proceed to Step 4.
- a** Enter the fax number of the printer using the number pad.
 - b** Tap Country.
 - c** Tap until the desired country appears, and then tap the desired country.
The default paper size is automatically set when you select a country.

Algeria	A4
Australia	A4
Austria	A4
Belgium	A4
Bulgaria	A4
Canada	Letter
Colombia	Letter
Costa Rica	Letter
Cyprus	A4
Czech Republic	A4
Denmark	A4
Dominican Republic	Letter
Egypt	A4
Estonia	A4
Finland	A4
France	A4
Germany	A4
Greece	A4
Guatemala	Letter
Hungary	A4
Iceland	A4
Ireland	A4
Italy	A4
Jamaica	Letter
Jordan	A4
Latvia	A4
Liechtenstein	A4
Lithuania	A4
Luxembourg	A4
Malaysia	A4
Malta	A4
Mexico	Letter
Netherlands	A4
New Zealand	A4
Nicaragua	Letter
Norway	A4
Panama	Letter
Poland	A4
Portugal	A4
Puerto Rico	Letter
Romania	A4

Russia	A4
Saudi Arabia	A4
Singapore	A4
Slovakia	A4
Slovenia	A4
South Africa	A4
Spain	A4
Sweden	A4
Switzerland	A4
Thailand	A4
Tunisia	A4
Turkey	A4
U.A.E.	A4
United Kingdom	A4
United States	Letter
Unknown	Letter

d Tap **Next**.

4 The **Setup Complete (Congratulations, setup is complete.)** screen appears.

5 Tap **OK**.

The printer automatically restarts after tapping **OK**.

Setting the IP Address

Assigning an IP Address

An IP address is a unique number that consists of four sections that are delimited by a period and can include up to three digits in each section, for example, 111 . 222 . 33 . 44.

You can select the IP mode from Dual Stack, IPv4, and IPv6. If your network supports both IPv4 and IPv6, select Dual Stack.

Select the IP mode of your environment, and then set IP address, subnet mask (for IPv4 only), and gateway address.

CAUTION: Assigning an IP address that is already in use can cause network performance issues.

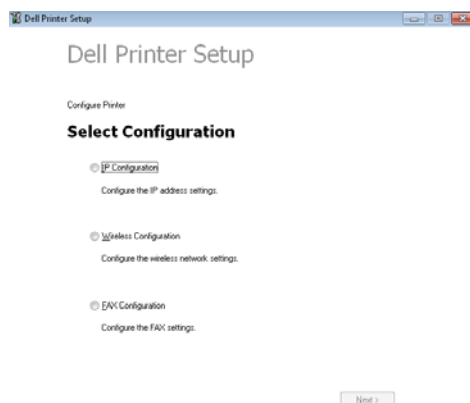
NOTE: Assigning an IP address is considered as an advanced function and is normally done by a system administrator.

NOTE: When you assign an IP address manually in IPv6 mode, use the **Dell™ Printer Configuration Web Tool**. To display the **Dell Printer Configuration Web Tool**, use the link-local address. To confirm the link-local address, print a system settings report and check the **Link-Local Address** under **Network (Wired)** or **Network (Wireless)**. For details about how to print a system settings report, see "Report / List."

NOTE: If the Panel Lock Control is set to Enable, you need to enter the four digit password to enter the Admin Settings menu.

When Using the Dell Printer Setup

- 1 Insert the *Software and Documentation* disc provided with the printer in your computer. The **Dell Printer Setup** file launches automatically.
- 2 Click **Configure Printer** on the **Dell Printer Setup** window. The **Configure Printer** window opens.



- 3 Click **IP Configuration**.
- 4 Follow the instructions displayed on the screen.

When Using the Operator Panel

For more information on using the operator panel, see "Operator Panel."

- 1 Press the **i** (Information) button.
- 2 Tap the **Tools** tab, and then tap **Admin Settings**.
- 3 Tap **Network**.


- 4 Do either of the following:

When connecting to network with the Ethernet cable:

Tap **Ethernet**.


When connecting to network with the wireless adapter:

Tap **Wireless**.



- 5 Tap **IP Mode**.
- 6 Tap **IPv4 Mode**, and then tap **OK**.
- 7 Tap  until **TCP / IP** appears, and then tap **TCP / IP**.
- 8 Tap **Get IP Address**.
- 9 Tap **Panel**, and then tap **OK**.

- 10 Tap **IP Address**.

The cursor is located at the first octet of the IP address.

- 11 Use the number pad to enter the first octet of the IP address, and then tap  .

The cursor moves to the next digit.

 **NOTE:** You can only enter one octet at a time and must tap  after entering each octet.

- 12 Enter the rest of the octets, and then tap **OK**.
- 13 Tap **Subnet Mask**.
- 14 Repeat steps 11 and 12 to set Subnet Mask.
- 15 Tap **Gateway Address**.
- 16 Repeat steps 11 and 12 to set Gateway Address.
- 17 Turn off the printer, and then turn it on again.

When Using the Tool Box

- 1 Click **Start**→ **All Programs**→ **Dell Printers**→ **Dell C2665dnf Color Laser Multifunction Printer**→ **Tool Box**.

 **NOTE:** For details about starting the **Tool Box**, see "Starting the Tool Box."

The **Tool Box** opens.


- 2 Click the **Printer Maintenance** tab.
- 3 Select **TCP/IP Settings** from the list at the left side of the page.
The **TCP/IP Settings** page appears.
- 4 Select the mode from **IP Address Mode**, and then enter the values in **IP Address**, **Subnet Mask**, and **Gateway Address**.
- 5 Click **Apply New Settings** to take effect.

You can also assign the IP address to the printer when installing the printer drivers with the installer. When you use the **Network Installation** feature, and the **Get IP Address** is set to **AutoIP** or **DHCP** on the printer, you can set the IP address from 0.0.0.0 to the desired IP address on the printer selection window.

Verifying the IP Settings

You can confirm the settings by using the operator panel, printing the system settings report, or using the ping command.

Verifying the Settings Using Operator Panel

- 1 Press the  (Information) button.
- 2 Tap **About This MFP**.
- 3 Tap the **Network** tab.
- 4 Verify the IP address displayed in **IP (v4) Address**.

Verifying the Settings Using System Settings Report

- 1 Print the system settings report.
For details about how to print a system settings report, see "Report / List."
- 2 Verify the correct IP address, subnet mask, and gateway address are listed in the system settings report under **Network (Wired)** or **Network (Wireless)**.
If the IP address shows 0 . 0 . 0 . 0 (the factory default), an IP address has not been assigned. To assign one for your printer, see "Assigning an IP Address."


Verifying the Settings Using Ping Command


Ping the printer and verify that it responds. For example, at a command prompt on a network computer, type ping followed by the new IP address (for example, 192.168.0.11):

```
ping 192.168.0.11
```

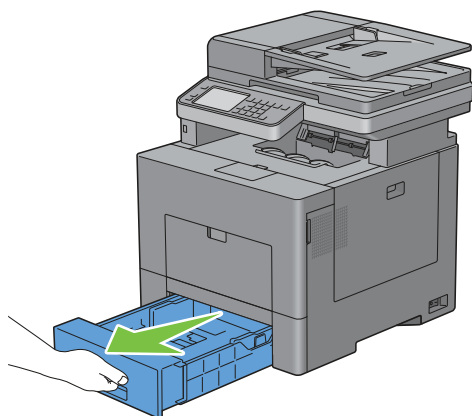
If the printer is active on the network, you will receive a reply.

Loading Paper

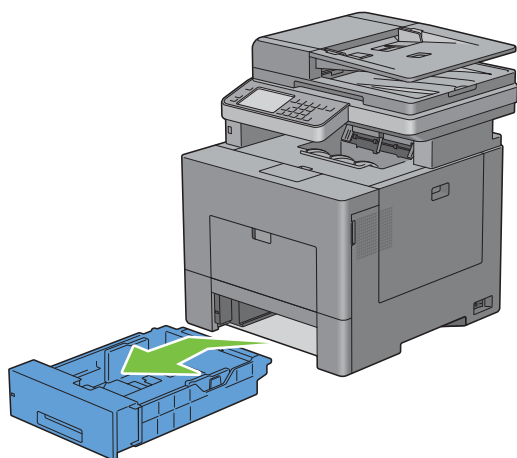
 **NOTE:** To avoid paper jams, do not remove the tray while printing is in progress.

 **NOTE:** The *Software and Documentation* disc also contains video instructions. On **Dell Printer Setup**, click **Installation Video**.

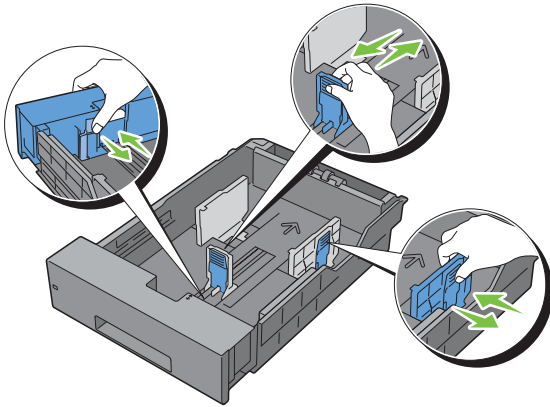
- 1 Pull the tray out of the printer about 200 mm.




- 2 Hold the tray with both hands, and remove it from the printer.

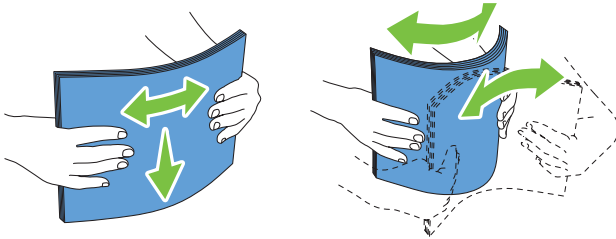


- 3 Adjust the paper guides.




 **NOTE:** Extend the front side of the tray when you load Legal-size paper.

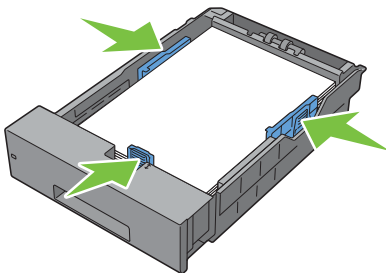
- 4 Before loading the print media, flex the sheets and fan them. Straighten the edges of the stack on a level surface.




- 5 Load the print media into the tray with the recommended print side facing up.

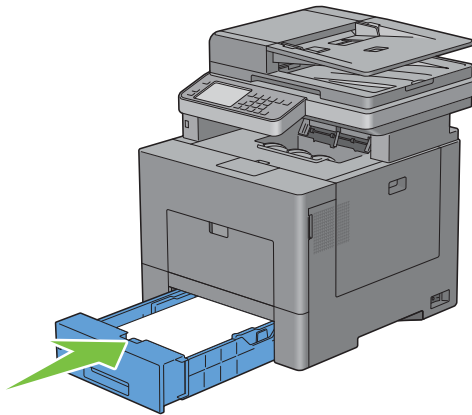
 **NOTE:** Do not exceed the maximum fill line in the tray. Overfilling the tray may cause paper jams.

- 6 Align the width guides against the edges of the paper.

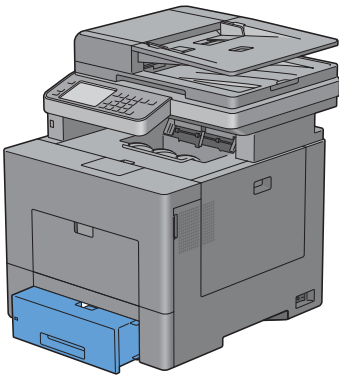


 **NOTE:** When loading user-specified print media, adjust the width guides and slide the extendable part of the tray by pinching the length guide and sliding it until it rests lightly against the edge of the paper.

- 7 After confirming that the guides are securely adjusted, insert the tray into the printer.



NOTE: If the front side of the tray is extended, the tray protrudes when it is inserted into the printer.



- 8 On the touch panel, tap *Size*.

NOTE: Set the same paper size and type as the actual paper being loaded. An error may occur if the paper size or type setting is different from the loaded paper.

- 9 Select until the desired paper size appears, and then select the desired paper size.
- 10 Tap *Type*.
- 11 Select until the desired paper type appears, and then select the desired paper size.
- 12 Select *OK*.

Installing Printer Drivers on Windows® Computers

Identifying Printer Driver Pre-install Status

Before installing the printer driver on your computer, check the IP address of your printer by performing one of the procedures in "Verifying the IP Settings."

Changing the firewall settings before installing your printer

If you are running one of the following operating systems, you must change the firewall settings before installing the Dell printer software:

- Microsoft® Windows XP
- Windows Vista®
- Windows 7
- Windows 8
- Windows Server® 2008
- Windows Server 2008 R2
- Windows Server 2012

 **NOTE:** For Windows XP, Service Pack 2 or 3 must be installed.

The following procedure uses Windows 7 as an example.

- 1 Insert the *Software and Documentation* disc into your computer.
- 2 Click **Start** → **Control Panel**.
- 3 Select **System and Security**.
- 4 Click **Allow a program through Windows Firewall**.
- 5 Click **Change settings** → **Allow another program**.
- 6 Check **Browse**.
- 7 `D:\setup_assist.exe` (where D is the drive letter of the optical drive) in the **File name** text box, and then click **Open**.
- 8 Click **Add**, and then click **OK**.

Inserting the Software and Documentation Disc

- 1 Insert the *Software and Documentation* disc into your computer and click `setup_assist.exe` to start **Dell Printer Setup**.

 **NOTE:** If the *Software and Documentation* disc does not launch automatically, follow the procedure below.

For Windows XP, Windows Server 2008, and Windows Server 2008 R2

Click **start** → **Run**, enter `D:\setup_assist.exe` (where D is the drive letter of the optical drive) in the Run dialog box, and then click **OK**.

For Windows Vista and Windows 7

Click **Start** → **All Programs** → **Accessories** → **Run**, enter `D:\setup_assist.exe` (where D is the drive letter of the optical drive) in the Run dialog box, and then click **OK**.

For Windows 8 and Windows Server 2012


Point to the top or bottom right corner of the screen, and then click **Search** → Type **Run** in the search box, click **Apps**, and then click **Run** → Type `D:\setup_assist.exe` (where D is the drive letter of the optical drive), and then click **OK**.

Direct Connection Setup

For installing PCL, PS and Fax printer driver

- 1 In the **Dell Printer Setup** window, click **Install Printer Driver and Software** to launch the installation software.
- 2 Select **Personal Installation**, and then click **Next**.
- 3 Follow the on-screen instructions to connect the computer and the printer with a USB cable, and then turn the printer on.

The Plug and Play installation starts and the installation software proceeds to the next page automatically.

 **NOTE:** If the installation software does not automatically proceed to the next page, click **Install**.


- 4 Select either **Typical Installation (recommended)** or **Custom Installation** from the installation wizard, and then click **Install**. If you select **Custom Installation**, you can select the specific software you want to install.
- 5 If you agree to the terms of the **Environmental Information Notice**, select **Use duplex printing** check box, and click **Install** to continue the installation.
- 6 Click **Finish** to exit the wizard when the **Ready to Print!** screen appears.


If you want to verify installation, click **Print Test Page** before clicking **Finish**.

Personal Installation


A personal printer is a printer connected to your computer or a print server using a USB. If your printer is connected to a network and not your computer, see "Network Connection Setup."

For installing XML Paper Specification (XPS) printer driver

 **NOTE:** XPS driver is supported on the following operating systems: Windows Vista, Windows Vista 64-bit Edition, Windows Server 2008, Windows Server 2008 64-bit Edition, Windows Server 2008 R2, Windows 7, Windows 7 64-bit Edition, Windows 8, Windows 8 64-bit Edition, and Windows Server 2012.

 **NOTE:** If you are using Windows Vista or Windows Server 2008, you need to install Service Pack 2 or later, and then the Windows Platform Update (KB971644). The update (KB971644) is available for download from Windows Update.

Windows Vista or Windows Vista 64-bit Edition

- 1 Extract the following zip file to your desired location.
D:\Drivers\XPS\Win_7Vista\XPS-V3_C2665.zip (where D is the drive letter of the optical drive)
 - 2 Click **Start**→ **Control Panel**→ **Hardware and Sound**→ **Printers**.
 - 3 Click **Add a printer**.
 - 4 Click **Add a local printer**.
 - 5 Select the port connected to this product, and then click **Next**.
 - 6 Click **Have Disk** to display the **Install From Disk** dialog box.
 - 7 Click **Browse**, and then select the extracted folder in step 1.
 - 8 Click **OK**.
 - 9 Select your printer name and click **Next**.
 - 10 To change the printer name, enter the printer name in the **Printer name** box, and then click **Next**. To use this printer as the default printer, select the check box displayed under the **Printer name**, and then click **Next**.
Installation starts.
If the **User Account Control** dialog box appears, click **Continue**.
-  **NOTE:** If you are an administrator on the computer, click **Continue**; otherwise, contact your administrator to continue the desired action.
- 11 As the driver installation is completed, click **Print a test page** to print a test page.
 - 12 Click **Finish**.

Windows Server 2008 or Windows Server 2008 64-bit Edition

 **NOTE:** You must log in as an administrator.

- 1 Extract the following zip file to your desired location.
D:\Drivers\XPS\Win_7Vista\XPS-V3_C2665.zip (where D is the drive letter of the optical drive)
- 2 Click **Start**→ **Control Panel**→ **Hardware and Sound**→ **Printers**.
- 3 Click **Add a printer**.
- 4 Click **Add a local printer**.
- 5 Select the port connected to this product, and then click **Next**.
- 6 Click **Have Disk** to display the **Install From Disk** dialog box.
- 7 Click **Browse**, and then select the extracted folder in step 1.
- 8 Click **OK**.
- 9 Select your printer name and click **Next**.
- 10 To change the printer name, enter the printer name in the **Printer name** box, and then click **Next**.
To use this printer as the default printer, select the **Set as the default printer** check box, and then click **Next**.

- 11 If you do not share your printer, select **Do not share this printer**. If you share your printer, select **Share this printer so that others on your network can find and use it**.
- 12 Click **Next**.
Installation starts.
- 13 As the driver installation is completed, click **Print a test page** to print a test page.
- 14 Click **Finish**.

Windows 7, Windows 7 64-bit Edition, or Windows Server 2008 R2

- 1 Extract the following zip file to your desired location.
D:\Drivers\XPS\Win_7Vista\XPS-V3_C2665.zip (where D is the drive letter of the optical drive)
- 2 Click **Start** → **Devices and Printers**.
- 3 Click **Add a printer**.
When you use Windows Server 2008 R2, click **Add a local or network printer as an administrator**.
If the **User Account Control** dialog box appears, click **Yes**.

 **NOTE:** If you are an administrator on the computer, click **Yes**; otherwise, contact your administrator to continue the desired action.


- 4 Click **Add a local printer**.
- 5 Select the port connected to this product, and then click **Next**.
- 6 Click **Have Disk** to display the **Install From Disk** dialog box.
- 7 Click **Browse**, and then select the extracted folder in step 1.
- 8 Click **OK**.
- 9 Select your printer name and click **Next**.
- 10 To change the printer name, enter the printer name in the **Printer name** box, and then click **Next**.
To use this printer as the default printer, select the **Set as the default printer** check box, and then click **Next**.
- 11 If you do not share your printer, select **Do not share this printer**. If you share your printer, select **Share this printer so that others on your network can find and use it**.
- 12 Click **Next**.
Installation starts.
- 13 As the driver installation is completed, click **Print a test page** to print a test page.
- 14 Click **Finish**.

Windows 8, Windows 8 64-bit Edition, or Windows Server 2012

- 1 Extract the zip file you downloaded to your desired location.
D:\Drivers\XPS\Win_8\XPS-V4_C2665.zip (where D is the drive letter of the optical drive)
- 2 Under Desktop mode, right-click the bottom left corner of the screen, and then click **Control Panel**.
- 3 Click **Hardware and Sound** (**Hardware** for Windows Server 2012) → **Devices and Printers** → **Add a printer**.
- 4 Click **Have Disk** to display the **Install From Disk** dialog box.
- 5 Click **Browse**, and then select the extracted folder in step 1.
- 6 Click **OK**.
- 7 Select your printer name and click **Next**.
- 8 To change the printer name, enter the printer name in the **Printer name** box, and then click **Next**. Installation starts.

- 9 If you do not share your printer, select **Do not share this printer**. If you share your printer, select **Share this printer so that others on your network can find and use it**. Click **Next**.
- 10 As the driver installation is completed, click **Print a test page** to print a test page. To use this printer as the default printer, select the **Set as the default printer** check box.
- 11 Click **Finish**.

Network Connection Setup


 **NOTE:** To use this printer in a Linux environment, you need to install a Linux driver. For more information on how to install and use these, see "Installing Printer Drivers on Linux Computers (CUPS)."


Network Printer Setup on a Local Network

For installing PCL, PS and Fax printer driver

- 1 In the **Dell Printer Setup** window, click **Install Printer Driver and Software** to launch the installation software.
- 2 Select **Network Installation**, and then click **Next**.
- 3 Select **Local Installation**, and then click **Next**.
- 4 Select the printer you want to install from the printer list, and then click **Next**. If the target printer is not displayed on the list, click **Refresh** to refresh the list or click **Add Printer** to add a printer to the list manually. You may specify the IP address and port name at this point.


If you have installed this printer on the server computer, select the **I am setting up this printer on a server** check box.

 **NOTE:** When using AutoIP, 0 . 0 . 0 . 0 is displayed in the installer. Before you can continue, you must enter a valid IP address.

 **NOTE:** In some cases, **Windows Security Alert** is displayed in this step when you use Windows Vista, Windows Vista 64-bit Edition, Windows Server 2008, Windows Server 2008 64-bit Edition, Windows Server 2008 R2, Windows 7, Windows 7 64-bit Edition, Windows 8, Windows 8 64-bit Edition, Windows Server 2012. In this case, select **Unblock** (Allow access for Windows Server 2008 R2 and Windows 7), and then continue the procedure.

- 5 Specify the printer settings, and then click **Next**.
 - a Enter the printer name.
 - b If you want to set the printer as the default printer, select the **Set this printer as default** check box.
 - c If you want to install the Fax Driver, select the **FAX Driver** check box.
If you want to install the PostScript printer driver, select the **PostScript Driver** check box.
 - d If you want other users on the network to access the printer, click **Advanced** check box and select **Share this printer with other computers on the network**, and then enter a share name that users can identify.
 - e If you want to restrict color printing, select the appropriate **Dell™ ColorTrack** option. Enter the password when **Color-Password Enabled** is selected for **Dell ColorTrack**.
- 6 Select the software and documentation you want to install, and then click **Install**. If you want to change the installation destination, click **Browse** and specify a new location.
- 7 If you agree to the terms of the **Environmental Information Notice**, select **Use duplex printing** check box, and click **Install** to continue the installation.
- 8 Click **Finish** to exit the wizard when the **Ready to Print!** screen appears.
If you want to verify installation, click **Print Test Page** before clicking **Finish**.

For installing XML Paper Specification (XPS) printer driver

 **NOTE:** XPS driver is supported on the following operating systems: Windows Vista, Windows Vista 64-bit Edition, Windows Server 2008, Windows Server 2008 64-bit Edition, Windows Server 2008 R2, Windows 7, Windows 7 64-bit Edition, Windows 8, Windows 8 64-bit Edition, and Windows Server 2012.

Windows Vista or Windows Vista 64-bit Edition

- 1 Extract the following zip file to your desired location.
D:\Drivers\XPS\Win_7Vista\XPS-V3_C2665.zip (where D is the drive letter of the optical drive)
- 2 Click Start→ Control Panel→ Hardware and Sound→ Printers.
- 3 Click Add a printer.
- 4 Click Add a network, wireless or Bluetooth printer.
- 5 Select printer or click The printer that I want isn't listed.
- 6 Select Add a printer using a TCP/IP address or host name, and then click Next.
- 7 Select TCP/IP Device from Device type, and enter the IP address for Hostname or IP address, and then click Next.

If the User Account Control dialog box appears, click Continue.

 **NOTE:** If you are an administrator on the computer, click **Continue**; otherwise, contact your administrator to continue the desired action.

- 8 Click Have Disk to display the Install From Disk dialog box.
- 9 Click Browse, and then select the extracted folder in step 1.
- 10 Click OK.
- 11 Select your printer name and click Next.
- 12 To change the printer name, enter the printer name in the Printer name box, and then click Next.
To use this printer as the default printer, select the Set as the default printer check box, and then click Next.
Installation starts.
- 13 As the driver installation is completed, click Print a test page to print a test page.
- 14 Click Finish.

Windows Server 2008 or Windows Server 2008 64-bit Edition

 **NOTE:** You must log in as an administrator.

- 1 Extract the following zip file to your desired location.
D:\Drivers\XPS\Win_7Vista\XPS-V3_C2665.zip (where D is the drive letter of the optical drive)
- 2 Click Start→ Control Panel→ Hardware and Sound→ Printers.
- 3 Click Add a printer.
- 4 Click Add a network, wireless or Bluetooth printer.
- 5 Select printer or click The printer that I want isn't listed.
When you select your printer, go to step 8.
When you click The printer that I want isn't listed, go to step 6.
- 6 Select Add a printer using a TCP/IP address or host name, and then click Next.
- 7 Select TCP/IP Device from Device type, and enter the IP address for Hostname or IP address, and then click Next.

If the User Account Control dialog box appears, click Continue.

 **NOTE:** If you are an administrator on the computer, click **Continue**; otherwise, contact your administrator to continue the desired action.

- 8 Click **Have Disk** to display the **Install From Disk** dialog box.
- 9 Click **Browse**, and then select the extracted folder in step 1.
- 10 Click **OK**.
- 11 Select your printer name and click **Next**.
- 12 To change the printer name, enter the printer name in the **Printer name** box, and then click **Next**.
To use this printer as the default printer, select the **Set as the default printer** check box, and then click **Next**.
- 13 If you do not share your printer, select **Do not share this printer**. If you share your printer, select **Share this printer so that others on your network can find and use it**.
- 14 Click **Next**.
Installation starts.
- 15 As the driver installation is completed, click **Print a test page** to print a test page.
- 16 Click **Finish**.

Windows Server 2008 R2

- 1 Extract the following zip file to your desired location.
D:\Drivers\XPS\Win_7Vista\XPS-V3_C2665.zip (where D is the drive letter of the optical drive)

- 2 Click **Start**→ **Devices and Printers**.
- 3 Click **Add a printer**.
- 4 Click **Add a network, wireless or Bluetooth printer**.
- 5 Select printer or click **The printer that I want isn't listed**.

 **NOTE:** When you click **The printer that I want isn't listed**, **Find a printer by name or TCP/IP address** screen appears. Find your printer on the screen.

If the **User Account Control** dialog box appears, click **Continue**.

 **NOTE:** If you are an administrator on the computer, click **Continue**; otherwise, contact your administrator to continue the desired action.

- 6 Click **Have Disk** to display the **Install From Disk** dialog box.
- 7 Click **Browse**, and then select the extracted folder in step 1.
- 8 Click **OK**.
- 9 Select your printer name and click **Next**.
- 10 To change the printer name, enter the printer name in the **Printer name** box, and then click **Next**.
To use this printer as the default printer, select the **Set as the default printer** check box, and then click **Next**.
- 11 If you do not share your printer, select **Do not share this printer**. If you share your printer, select **Share this printer so that others on your network can find and use it**.
- 12 Click **Next**.
Installation starts.
- 13 As the driver installation is completed, click **Print a test page** to print a test page.
- 14 Click **Finish**.

Windows 7 or Windows 7 64-bit Edition

1 Extract the following zip file to your desired location.
D:\Drivers\XPS\Win_7Vista\XPS-V3_C2665.zip (where D is the drive letter of the optical drive)

2 Click **Start** → **Devices and Printers**.

3 Click **Add a printer**.

4 Click **Add a network, wireless or Bluetooth printer**.

5 Select printer or click **The printer that I want isn't listed**.

When you select your printer, go to step 8.

When you click **The printer that I want isn't listed**, go to step 6.

6 Select **Add a printer using a TCP/IP address or host name**, and then click **Next**.

7 Select **TCP/IP Device** from **Device type**, and enter the IP address for **Hostname or IP address**, and then click **Next**.

If the **User Account Control** dialog box appears, click **Yes**.

 **NOTE:** If you are an administrator on the computer, click **Yes**; otherwise, contact your administrator to continue the desired action.

8 Click **Have Disk** to display the **Install From Disk** dialog box.

9 Click **Browse**, and then select the extracted folder in step 1.

10 Click **OK**.

11 Select your printer name and click **Next**.

12 To change the printer name, enter the printer name in the **Printer name** box, and then click **Next**.

To use this printer as the default printer, select the **Set as the default printer** check box, and then click **Next**.

13 If you do not share your printer, select **Do not share this printer**. If you share your printer, select **Share this printer so that others on your network can find and use it**.

14 Click **Next**.

Installation starts.

15 As the driver installation is completed, click **Print a test page** to print a test page.

16 Click **Finish**.

Windows 8, Windows 8 64-bit Edition, or Windows Server 2012

1 Extract the zip file you downloaded to your desired location.

D:\Drivers\XPS\Win_8\XPS-V4_C2665.zip (where D is the drive letter of the optical drive)

2 Under Desktop mode, right-click the bottom left corner of the screen, and then click **Control Panel**.

3 Click **Hardware and Sound** (**Hardware** for Windows Server 2012) → **Devices and Printers** → **Add a printer**.

4 Click **Have Disk** to display the **Install From Disk** dialog box.

5 Click **Browse**, and then select the extracted folder in step 1.

6 Click **OK**.


7 Select your printer name and click **Next**.

8 To change the printer name, enter the printer name in the **Printer name** box, and then click **Next**. Installation starts.

9 If you do not share your printer, select **Do not share this printer**. If you share your printer, select **Share this printer so that others on your network can find and use it**. Click **Next**.

- 10 As the driver installation is completed, click **Print a test page** to print a test page. To use this printer as the default printer, select the **Set as the default printer** check box.
- 11 Click **Finish**.

Use the **Dell Printer Configuration Web Tool** to monitor the status of your network printer without leaving your desk. You can view and/or change the printer settings, monitor toner level, and acknowledge the timing of ordering replacement consumables. You can click the Dell supplies link for ordering supplies.

 **NOTE:** The **Dell Printer Configuration Web Tool** is not available when the printer is directly connected to a computer or a print server.

To launch the **Dell Printer Configuration Web Tool**, type the printer's IP address in your web browser. The printer configuration appears on the screen.

You can set up the **Dell Printer Configuration Web Tool** to send you an e-mail when the printer needs supplies or intervention.

To set up e-mail alerts:


- 1 Launch the **Dell Printer Configuration Web Tool**.
- 2 Click **E-Mail Alert** link.
- 3 Under **E-Mail Server Settings**, enter the **Primary SMTP Gateway**, **Reply Address**, and your or key operator's e-mail address in the e-mail list box.
- 4 Click **Apply New Settings**.

 **NOTE:** **Connection pending until printer sends an alert** is displayed on the SMTP server until an error occurs.

Setting Up for Shared Printing

You can share your new printer on the network using the *Software and Documentation* disc that comes with your printer, or using Microsoft® point-and-print or peer-to-peer method. However, if you use one of the Microsoft methods, some features, such as the status monitor and other printer utilities, installed with the *Software and Documentation* disc, may not be available.

If you want to use the printer on a network, share the printer and install its drivers on all the computers on the network.

 **NOTE:** You need to purchase an Ethernet cable for shared printing.

Specifying the Shared Settings of the Printer

Windows XP, Windows XP 64-bit Edition, Windows Server 2003, or Windows Server 2003 x64 Edition

- 1 Click start→ Printers and Faxes.
- 2 Right-click the printer icon and select **Properties**.
- 3 On the **Sharing** tab, select the **Share this printer** check box, and then type a name in the **Share name** text box.
- 4 Click **Additional Drivers** and select the operating systems of all network clients that print to the printer.
- 5 Click **OK**.

If you are missing files, you are prompted to insert the server operating system CD.

Windows Vista or Windows Vista 64-bit Edition

- 1 Click **Start**→ **Control Panel**→ **Hardware and Sound**→ **Printers**.
- 2 Right-click the printer icon and select **Sharing**.
- 3 Click **Change sharing options**.
The message **Windows needs your permission to continue** appears.
- 4 Click **Continue**.
- 5 Select the **Share this printer** check box, and then type a name in the **Share name** text box.
- 6 Click **Additional Drivers** and select the operating systems of all network clients that print to the printer.
- 7 Click **OK**.

Windows Server 2008 or Windows Server 2008 64-bit Edition

- 1 Click **Start**→ **Control Panel**→ **Printers**.
- 2 Right-click the printer icon and select **Sharing**.
- 3 Click **Change Sharing Options** if exists.
- 4 Select the **Share this printer** check box, and then type a name in the **Share name** text box.
- 5 Click **Additional Drivers** and select the operating systems of all network clients that print to the printer.
- 6 Click **OK**.

Windows 7, Windows 7 64-bit Edition, or Windows Server 2008 R2

- 1 Click **Start**→ **Devices and Printers**.
- 2 Right-click the printer icon and select **Printer properties**.
- 3 On the **Sharing** tab, click **Change Sharing Options** if exists.
Select the **Share this printer** check box, and then type a name in the **Share name** text box.

- 4 Click **Additional Drivers** and select the operating systems of all network clients that print to the printer.
- 5 Click **Apply**, and then click **OK**.

Windows 8, Windows 8 64-bit Edition, or Windows Server 2012

- 1 Under Desktop mode, right-click the bottom left corner of the screen, and then click **Control Panel** → **Hardware and Sound** (**Hardware** for Windows Server 2012) → **Devices and Printers**.
- 2 Right-click the printer icon and select **Printer properties**.
- 3 On the **Sharing** tab, click **Change Sharing Options** if exists.
- 4 Select the **Share this printer** check box, and then type a name in the **Share name** text box.
- 5 Click **Additional Drivers** and select the operating systems of all network clients using this printer.
- 6 Click **Apply**, and then click **OK**.

To confirm that the printer is properly shared:

- Ensure that the printer object in the **Printers**, **Printers and Faxes**, or **Devices and Printers** folder is shared. The shared icon is shown under the printer icon.
- Browse **Network** or **My Network Places**. Find the host name of the server and the shared name you assigned to the printer.

Now that the printer is shared, you can install the printer on network clients using the point and print method or the peer-to-peer method.



NOTE: If the OS bit editions (32/64 bit edition) differ between a print server and a client computer, you need to manually add the printer driver for the client computer edition on the server. Otherwise, the printer driver cannot be installed on the client computer using the point and print or peer-to-peer method. For example, if the print server runs on Windows XP 32-bit edition, while the client computer runs on Windows 7 64-bit edition, follow the procedures below to additionally install the printer driver for 64-bit client on the 32-bit server.

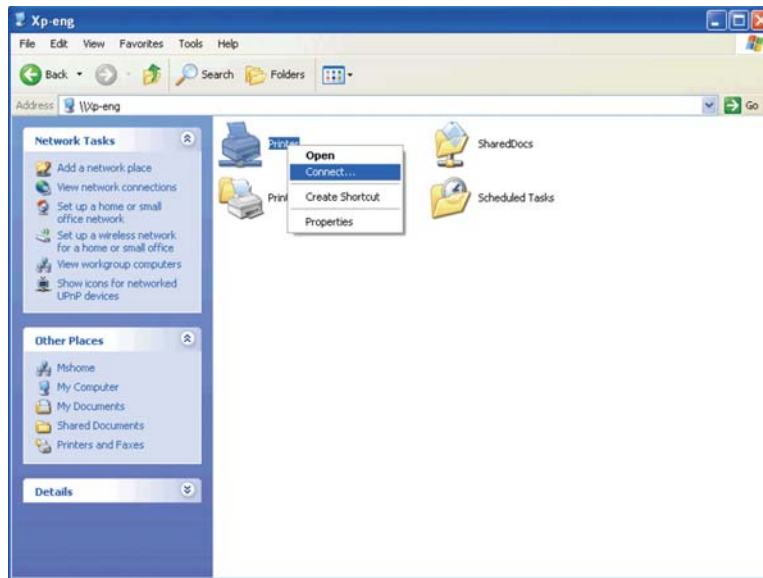
- a Click **Additional Drivers** on the screen for sharing printers.
For details about how to display this screen, see "Specifying the Shared Settings of the Printer."
- b Select the **x64** check box, and then click **OK**.
- c Insert the *Software and Documentation* disc into your computer.
- d Click **Browse** to specify the folder that contains the 64-bit OS driver, and then click **OK**.
Installation starts.

Point and Print

Point and Print is a Microsoft Windows technology that allows you to connect to a remote printer. This feature automatically downloads and installs the printer driver.

Windows XP, Windows XP 64-bit Edition, Windows Server 2003, or Windows Server 2003 x64 Edition

- 1 On the Windows desktop of the client computer, double-click **My Network Places**.
- 2 Locate the host name of the server computer, and then double-click the host name.
- 3 Right-click the shared printer name, and then click **Connect**.



Wait for the driver information to be copied from the server computer to the client computer, and for a new printer object to be added to the **Printers and Faxes** folder. The copy time varies, based on network traffic and other factors.

- 4 Close **My Network Places**.
- 5 Print a test page to verify installation.
 - a Click **start**→ **Printers and Faxes**.
 - b Select the printer you just created.
 - c Click **File**→ **Properties**.
 - d On the **General** tab, click **Print Test Page**.

When a test page prints successfully, installation is complete.

Windows Vista or Windows Vista 64-bit Edition

- 1 On the Windows desktop of the client computer, click **Start**→ **Network**.
- 2 Locate the host name of the server computer, and then double-click the host name.
- 3 Right-click the shared printer name, and then click **Connect**.
- 4 Click **Install driver**.
- 5 Click **Continue** in the **User Account Control** dialog box.
- 6 Wait for the driver information to be copied from the server computer to the client computer, and for a new printer object to be added to the **Printers** folder. The time this takes varies, based on network traffic and other factors.
- 7 Print a test page to verify installation.
 - a Click **Start**→ **Control Panel**→ **Hardware and Sound**.
 - b Select **Printers**.
 - c Right-click the printer you just created and click **Properties**.
 - d On the **General** tab, click **Print Test Page**.

When a test page prints successfully, installation is complete.

Windows Server 2008 or Windows Server 2008 64-bit Edition

- 1** On the Windows desktop of the client computer, click **Start**→ **Network**.
- 2** Locate the host name of the server computer, and then double-click the host name.
- 3** Right-click the shared printer name, and then click **Connect**.
- 4** Click **Install driver**.
- 5** Wait for the driver information to be copied from the server computer to the client computer, and for a new printer object to be added to the **Printers** folder. The time this takes varies, based on network traffic and other factors.
- 6** Print a test page to verify installation.
 - a** Click **Start**→ **Control Panel**.
 - b** Select **Printers**.
 - c** Right-click the printer you just created and select **Properties**.
 - d** On the **General** tab, click **Print Test Page**.When a test page prints successfully, installation is complete.

Windows 7, Windows 7 64-bit Edition, or Windows Server 2008 R2

- 1** On the Windows desktop of the client computer, click **Start**→ your user name→ **Network** (**Start**→ **Network** for Windows Server 2008 R2).
- 2** Locate the host name of the server computer, and then double-click the host name.
- 3** Right-click the shared printer name, and then click **Connect**.
- 4** Click **Install driver**.
- 5** Wait for the driver information to be copied from the server computer to the client computer, and for a new printer object to be added to the **Devices and Printers** folder. The time this takes varies, based on network traffic and other factors.
- 6** Print a test page to verify installation.
 - a** Click **Start**→ **Devices and Printers**.
 - b** Right-click the printer you just created and select **Printer properties**.
 - c** On the **General** tab, click **Print Test Page**.When a test page prints successfully, installation is complete.

Windows 8, Windows 8 64-bit Edition, or Windows Server 2012

- 1** Point to the top or bottom right corner of the screen, and then click **Search** → Type **Network** in the search box, click **Apps**, and then click **Network**.
- 2** Locate the host name of the server computer, and then double-click the host name.
- 3** Right-click the shared printer name, and then click **Connect**.
- 4** Click **Install driver**.
- 5** Wait for the driver information to be copied from the server computer to the client computer, and for a new printer object to be added to the **Devices and Printers** folder. The time this takes varies, based on network traffic and other factors.
- 6** Print a test page to verify installation.
 - a** Under Desktop mode, right-click the bottom left corner of the screen, and then click **Control Panel** → **Hardware and Sound** (**Hardware** for Windows Server 2012) → **Devices and Printers**.
 - b** Right-click the printer you just created and select **Printer properties**.

- c On the **General** tab, click **Print Test Page**.

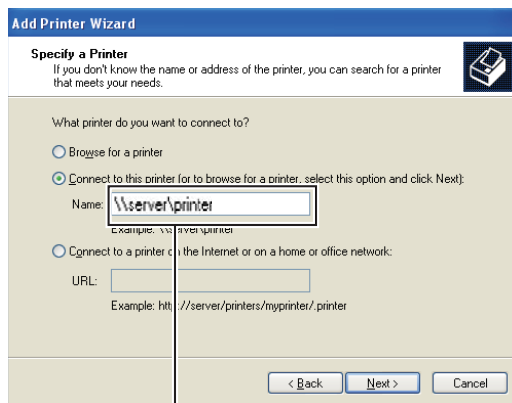
When a test page is printed successfully, installation is complete.

Peer-to-Peer

If you use the peer-to-peer method, the printer driver is fully installed on each client computer. Network clients retain control of driver modifications. The client computer handles the print job processing.

Windows XP, Windows XP 64-bit Edition, Windows Server 2003, or Windows Server 2003 x64 Edition

- 1 Click **start**→ **Printers and Faxes**.
- 2 Click **Add a Printer**.
- 3 Click **Next**.
- 4 Select **A network printer, or a printer attached to another computer**, and then click **Next**. If the printer is not listed, type the path to the printer in the text box.



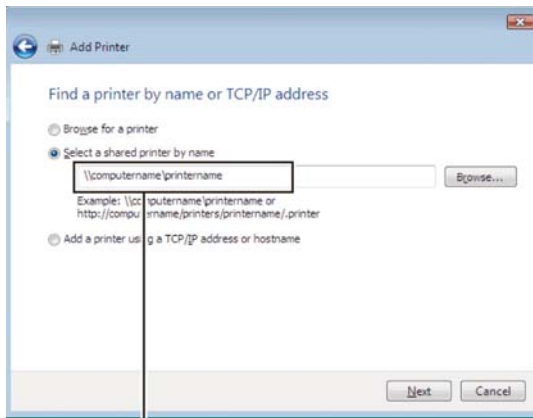
For example: \\<server host name>\<shared printer name>

The server host name is the name of the server computer that identifies it on the network. The shared printer name is the name assigned during the server installation process.

- 5 Click **Browse for a printer**, and then click **Next**.
If this is a new printer, you may be prompted to install a printer driver. If no system driver is available, you need to specify the path to available drivers.
- 6 Select **Yes** if you want this printer to be set as the default printer, and then click **Next**.
If you want to verify installation, click **Yes** to print a test page.
- 7 Click **Finish**.
When a test page prints successfully, installation is complete.

Windows Vista or Windows Vista 64-bit Edition

- 1 Click Start→ Control Panel→ Hardware and Sound→ Printers.
- 2 Click Add a Printer to launch the Add Printer wizard.
- 3 Select Add a network, wireless or Bluetooth printer, and then click Next. If the printer is listed, select the printer and click Next, or select The printer that I want isn't listed and type in the path of the printer in the Select a shared printer by name text box and click Next.



For example: \\<server host name>\<shared printer name>

The server host name is the name of the server computer that identifies it on the network. The shared printer name is the name assigned during the server installation process.

If this is a new printer, you may be prompted to install a printer driver. If no system driver is available, you need to specify the path to available drivers.

- 4 Select Yes if you want this printer to be set as the default printer, and then click Next.
- 5 If you want to verify installation, click Print a test page.
- 6 Click Finish.

When a test page prints successfully, installation is complete.

Windows Server 2008 or Windows Server 2008 64-bit Edition

- 1 Click Start→ Control Panel→ Printers.
- 2 Click Add a Printer.
- 3 Select Add a network, wireless or Bluetooth printer, and then click Next. If the printer is listed, select the printer and click Next, or select The printer that I want isn't listed and type the path to the printer in the Select a shared printer by name text box and click Next.

For example: \\<server host name>\<shared printer name>

The server host name is the name of the server computer that identifies it on the network. The shared printer name is the name assigned during the server installation process.

If this is a new printer, you may be prompted to install a printer driver. If no system driver is available, then you will need to provide a path to available drivers.

- 4 Select Yes if you want this printer to be set as the default printer, and then click Next.
- 5 Click Print a test page if you want to verify installation.
- 6 Click Finish.

When a test page prints successfully, installation is complete.

Windows 7, Windows 7 64-bit Edition, or Windows Server 2008 R2

- 1 Click **Start** → **Devices and Printers**.
- 2 Click **Add a Printer**.
- 3 Select **Add a network, wireless or Bluetooth printer**. If the printer is listed, select the printer and click **Next**, or select **The printer that I want isn't listed**. Click **Select a shared printer by name** and type in the path of the printer in the text box, and then click **Next**.

For example: `\\<server host name>\<shared printer name>`

The server host name is the name of the server computer that identifies it to the network. The shared printer name is the name assigned during the server installation process.

If this is a new printer, you may be prompted to install a printer driver. If no system driver is available, then you will need to provide the path to the available driver.

- 4 Confirm the printer name, and then click **Next**.
- 5 Select **Yes** if you want this printer to be set as the default printer, and then click **Next**.
- 6 Click **Print a test page** if you want to verify installation.
- 7 Click **Finish**.

When a test page prints successfully, installation is complete.

Windows 8, Windows 8 64-bit Edition, or Windows Server 2012

- 1 Under Desktop mode, right-click the bottom left corner of the screen, and then click **Control Panel** → **Hardware and Sound (Hardware for Windows Server 2012)** → **Devices and Printers**.
- 2 Click **Add a Printer** to launch the **Add Printer** wizard.
- 3 If the printer is listed, select the printer and click **Next**, or select **The printer that I want isn't listed**. Click **Select a shared printer by name** and type in the path of the printer in the text box, and then click **Next**.

For example: `\\<server host name>\<shared printer name>`

The server host name is the name of the server computer that identifies it to the network. The shared printer name is the name assigned during the server installation process.

If this is a new printer, you may be prompted to install a printer driver. If no system driver is available, then you will need to provide the path to the available driver.

- 4 Confirm the printer name, and then click **Next**.
- 5 Select **Yes** if you want this printer to be set as the default printer, and then click **Next**.
- 6 Click **Print a test page** if you want to verify installation.
- 7 Click **Finish**.

When a test page is printed successfully, installation is complete.

Installing Printer Drivers on Macintosh Computers

Installing the Drivers and Software

- 1 Run the *Software and Documentation* disc on the Macintosh computer.
- 2 Double-click the **Dell C2665 Installer** icon, and then click **Continue**.
- 3 When the popup dialog box prompts you for confirming the program included in the installation package, click **Continue**.
- 4 Click **Continue** on the **Important Information** screen.
- 5 Select a language for the Software License Agreement.
- 6 After reading the Software License Agreement, click **Continue**.
- 7 If you agree to the terms of the Software License Agreement, click **Agree** to continue the installation process.
- 8 Confirm the installation location.
- 9 Click **Install** to perform the standard installation.
If you want to select a custom installation, click **Customize** to select items that you want to install.
 - Dell C2665dnf Printer Driver
 - Dell C2665dnf Fax Driver
 - Dell C2665dnf Scan Driver
 - Dell Printer Status Monitor
- 10 Type the administrator's name and password, and then click **Install Software**.
- 11 Click **Continue Installation** to continue the installation.
- 12 When the message **The installation was successful.** appears, click **Log Out** to complete installation.


Adding a Printer on Mac OS X 10.5, 10.6, 10.7, or 10.8

When Using a USB connection


- 1 Turn on the printer.
- 2 Connect the USB cable between the printer and the Macintosh computer.
The printer is automatically added to your Macintosh computer.

When Using IP Printing

- 1 Turn on the printer.
- 2 Ensure that Macintosh computer and the printer are connected.
If you use wired connection, connect the LAN cable between the printer and the network.
If you use wireless connection, ensure that wireless connection is configured properly on your Macintosh computer and the printer.
- 3 Open the **System Preferences**, and click **Print & Fax** (**Print & Scan** for Mac OS X 10.7 and Mac OS X 10.8).
- 4 Click the Plus (+) sign, and click **IP**.
- 5 Select **Line Printer Daemon - LPD** for **Protocol**.
- 6 Type the IP address for the printer in the **Address** area.

- 7 Select **Dell C2665dnf Color MFP** for **Print Using** (Use for Mac OS X 10.8).
 **NOTE:** When printing is set up using IP printing, the queue name is displayed as blank. You do not need to specify it.
- 8 Click **Add**.
- 9 Specify the options that have been installed on the printer, and then click **Continue**.
- 10 Confirm that the printer is displayed in the **Print & Fax** (**Print & Scan** for Mac OS X 10.7 and Mac OS X 10.8) dialog box.

When Using Bonjour

- 1 Turn on the printer.
- 2 Ensure that Macintosh computer and the printer are connected.
If you use wired connection, connect the LAN cable between the printer and the network.
If you use wireless connection, ensure that wireless connection is configured properly on your Macintosh computer and the printer.
- 3 Open the **System Preferences**, and click **Print & Fax** (**Print & Scan** for Mac OS X 10.7 and Mac OS X 10.8).
- 4 Click the Plus (+) sign, and click **Default**.
- 5 Select the printer connected via Bonjour from the **Printer Name** list.
- 6 **Name** and **Print Using** (Use for Mac OS X 10.8) are automatically entered.
 **NOTE:** If "AirPrint Printer" is automatically selected for **Print Using**, select "Dell C2665dnf Color MFP" manually.
- 7 Click **Add**.
- 8 Specify the options that have been installed on the printer, and then click **Continue**.
- 9 Confirm that the printer is displayed in the **Print & Fax** (**Print & Scan** for Mac OS X 10.7 and Mac OS X 10.8) dialog box.

Configuring Settings

All the optional accessories are verified as installed.

- 1 Open the **System Preferences**, and click **Print & Fax** (**Print & Scan** for Mac OS X 10.7 and Mac OS X 10.8).
- 2 Select the printer in the printers list, and click **Options & Supplies**.
- 3 Select **Driver**, and select the options that have been installed in the printer, and then click **OK**.

Installing Printer Drivers on Linux Computers (CUPS)

This section provides information for installing or setting up the printer driver with CUPS (Common UNIX Printing System) on Red Hat® Enterprise Linux® 5/6 Desktop or SUSE® Linux Enterprise Desktop 10/11.

Operation on Red Hat Enterprise Linux 5/6 Desktop

Setup Overview

Red Hat Enterprise Linux 5/6 Desktop:

- 1 Install the printer driver.
- 2 Set up the print queue.
- 3 Specify the default queue.
- 4 Specify the printing options.

Installing the Printer Driver

 **CAUTION:** Before you install the printer driver on Red Hat Enterprise Linux 5, confirm that Update 6 or higher is applied to your operating system. Consult your Linux distributor for the upgrade of your system.

- 1 Select **Applications**→**System Tools** (Accessories for Red Hat Enterprise Linux 5 Desktop)→**Terminal**.
- 2 Type the following command in the terminal window.

```
su
(Type the administrator password)
rpm -ivh (Type the file path)/Dell-C2665-Color-
MFP-x.x-x.noarch.rpm
```

The printer driver is installed.

Setting Up the Queue

To execute printing, you must set up the print queue on your workstation.

For Red Hat Enterprise Linux 5 Desktop:

- 1 Open the URL "<http://localhost:631>" using a web browser.
- 2 Click **Administration**.
- 3 Click **Add Printer**.

Type the name of the printer in the **Name** box in the **Add New Printer** window, and click **Continue**.

You can optionally specify the location and description of the printer for further information.

For network connections:

- a Select **LPD/LPR Host or Printer** from the **Device** menu, and click **Continue**.
- b Type the IP address of the printer in **Device URI**, and click **Continue**.
Format: `lpd://xxx.xxx.xxx.xxx` (the IP address of the printer)

For USB connections:

- a** Select **Dell C2665dnf Color MFP USB #1** or **Dell C2665dnf Color MFP** from the **Device** menu, and click **Continue**.
- 4** Select **Dell C2665dnf Color MFP PS vx.x (en)** from the **Model** menu, and click **Add Printer**.
- 5** Type **root** as the user name, type the administrator password, and click **OK**.
The message **Printer xxx has been added successfully.** appears.
The setup is complete.

For Red Hat Enterprise Linux 6 Desktop:

- 1** Open the URL "**http://localhost:631**" using a web browser.
- 2** Click **Administration**.
- 3** Click **Add Printer**.
- 4** Type **root** as the user name, type the administrator password, and click **OK**.

For network connections:

- a** Select **LPD/LPR Host or Printer** from the **Other Network Printers** menu, and click **Continue**.
 - b** Type the IP address of the printer in **Connection**, and click **Continue**.
Format: **lpd://xxx.xxx.xxx.xxx** (the IP address of the printer)

For USB connections:

- a** Select **Dell C2665dnf Color MFP** from the **Local Printers** menu, and click **Continue**.
- 5** Type the name of the printer in the **Name** box in the **Add Printer** window, and click **Continue**.
You can optionally specify the location and description of the printer for further information.
- 6** Select **Dell C2665dnf Color MFP PS vx.x (en)** from the **Model** menu, and click **Add Printer**.
The setup is complete.

Printing From the Applications

When you have finished setting up the queue, you can print jobs from the applications. Start the print job from the application, and specify the queue in the print dialog box.

However, sometimes you can print only from the default queue depending on the application (for example Mozilla). In these cases, before you start printing, set queue you want to print to as the default queue. For information on specifying the default queue, see "Setting the Default Queue."

Setting the Default Queue

- 1** Select **Applications**→**System Tools** (Accessories for Red Hat Enterprise Linux 5 Desktop)→**Terminal**.
- 2** Type the following command in the terminal window.

```
su
(Type the administrator password)
lpadmin -d (Type the queue name)
```

Specifying the Printing Options

You can specify the printing options such as color mode.

For Red Hat Enterprise Linux 5 Desktop:

- 1 Open the URL "http://localhost:631" using a web browser.
- 2 Click **Administration**.
- 3 Click **Manage Printers**.
- 4 Click **Set Printer Options** of the printer for which you want to specify the printing options.
- 5 Specify the required settings, and click **Set Printer Options**.
- 6 Type **root** as the user name, and type the administrator password.

The message **Printer xxx has been configured successfully**. appears.

The setting is complete.

For Red Hat Enterprise Linux 6 Desktop:

- 1 Open the URL "http://localhost:631" using a web browser.
- 2 Click **Administration**.
- 3 Click **Manage Printers**.
- 4 Click the queue name for which you want to specify the printing options.
- 5 Select **Set Default Options** from the **Administration** menu.
- 6 Click the desired setting item, specify the required settings, and click **Set Default Options**.

The message **Printer xxx default options have been set successfully**. appears.

The setting is complete.

Uninstalling the Printer Driver

- 1 Select **Applications**→**System Tools** (Accessories for Red Hat Enterprise Linux 5 Desktop)→**Terminal**.
- 2 Type the following command in the terminal window to delete the print queue.

```
su
(Type the administrator password)
/usr/sbin/lpadmin -x (Type the print queue name)
```

- 3 Repeat the command above for all queues for the same model.
- 4 Type the following command in the terminal window.

```
su
(Type the administrator password)
rpm -e Dell-C2665-Color-MFP
```

The printer driver is uninstalled.

Operation on SUSE Linux Enterprise Desktop 10

Setup Overview

SUSE Linux Enterprise Desktop 10:

- 1 Install the printer driver.
- 2 Set up the print queue.
- 3 Specify the default queue.
- 4 Specify the printing options.

Installing the Printer Driver

- 1 Select **Computer**→**More Applications...** and select **Gnome Terminal** on the Application Browser.
- 2 Type the following command in the terminal window.

```
su
(Type the administrator password)
rpm -ivh (Type the file path)/Dell-C2665-Color-
MFP-x.x-x.noarch.rpm
```

The printer driver is installed.


Setting Up the Queue

To execute printing, you must set up the print queue on your workstation.

- 1 Select **Computer**→**More Applications...** and select **YaST** on the Application Browser.
- 2 Type the administrator password, and click **Continue**.
YaST Control Center is activated.
- 3 Select **Hardware** on YaST Control Center, and select **Printer**.

The **Printer Configuration** dialog box appears.

For network connections:

- a Click **Add**.
 - b Select **Network Printers** as **Printer Type**, and click **Next**.
 - c Select **Print via LPD-Style Network Server** as **Network Printers**, and click **Next**.
 - d Type the IP address of the printer in **Hostname of the Print Server**.
 - e Type the name of the printer queue in **Print Queue Name**, and click **Next**.
 - f Type the printer name in **Name for Printing**.
-  **NOTE:** **Printer Description** and **Printer Location** do not have to be specified.
- g Select the **Do Local Filtering** check box, and click **Next**.
 - h Select **DELL** as **Manufacturer**. Select **C2665dnf Color MFP** as **Model**, and click **Next**.
 - i Confirm the settings in **Configuration**, and click **OK**.

For USB connections:

- a** Select **Dell C2665dnf Color MFP on USB** (`//Dell/C2665dnf%20Color%20MFP` or `/dev/usb/lp*`) as **Available are**, and click **Configure...**
 - b** Confirm the settings in **Edit configuration**, and click **OK**.
- 4** Click **Finish**.

Printing From the Applications

When you have finished setting up the queue you can print jobs from the applications. Start the print job from the application, and specify the queue in the print dialog box.

However, sometimes you can print only from the default queue depending on the application (for example Mozilla). In these cases, before you start printing, set queue you want to print to as the default queue. For information on specifying the default queue, see "Setting the Default Queue."

Setting the Default Queue

- 1** To activate the **Printer setup: Autodetected printers**, do the following.
 - a** Select **Computer**→**More Applications...** and select **YaST** on the Application Browser.
 - b** Type the administrator password, and click **Continue**.
YaST Control Center is activated.
 - c** Select **Hardware** on **YaST Control Center**, and select **Printer**.
- 2** Select the printer you want to set to default on the **Printer Configuration**, and select **Set Default** in the **Other** button menu.
- 3** Click **Finish**.

Specifying the Printing Options

You can specify the printing options such as color mode.

- 1** Open a web browser.
- 2** Type `http://localhost:631/admin` in **Location**, and press **<Enter>**.
- 3** Type **root** as the user name, and type the administrator password.
The CUPS window appears.



NOTE: Set the password for authority as the printer administrator before setting the printer queue. If you have not set it, go to "Setting the Password for Authority as the Printer Administrator."

- 4** Click **Manage Printers**.
- 5** Specify the required settings, and click **Continue**.
The message **Printer xxx has been configured successfully** appears.
The setting is complete. Execute printing from the application.

Setting the Password for Authority as the Printer Administrator

You must set the password for authority as the printer administrator to do operations as the printer administrator.

- 1 Select **Computer**→**More Applications...** and select **Gnome Terminal** on the Application Browser.
- 2 Type the following command in the terminal window.

```
su
(Type the administrator password)
lppasswd -g sys -a root
(Type the password for authority as the printer administrator after
the Enter password prompt.)
(Retype the password for authority as the printer administrator after
the Enter password again prompt.)
```

Uninstalling the Printer Driver

- 1 Select **Computer**→**More Applications...** and select **Gnome Terminal** on the Application Browser.
- 2 Type the following command in the terminal window to delete the print queue.

```
su
(Type the administrator password)
/usr/sbin/lpadmin -x (Type the printer queue name)
```

- 3 Repeat the command above for all queues for the same model.
- 4 Type the following command in the terminal window.

```
su
(Type the administrator password)
rpm -e Dell-C2665-Color-MFP
```

The printer driver is uninstalled.

Operation on SUSE Linux Enterprise Desktop 11

Setup Overview

SUSE Linux Enterprise Desktop 11:

- 1 Install the printer driver.
- 2 Set up the print queue.
- 3 Specify the default queue.
- 4 Specify the printing options.

Installing the Printer Driver

- 1 Select **Computer**→**More Applications...** and select **GNOME Terminal** on the Application Browser.
- 2 Type the following command in the terminal window.

```
su
(Type the administrator password)
rpm -ivh (Type the file path)/Dell-C2665-Color-
MFP-x.x-x.noarch.rpm
```

The printer driver is installed.

Setting Up the Queue

To execute printing, you must set up the print queue on your workstation.

- 1 Select **Computer**→**More Applications...**, and select **YaST** on the Application Browser.
- 2 Type the administrator password, and click **Continue**.

YaST Control Center is activated.

- 3 Select **Hardware** on **YaST Control Center**, and select **Printer**.

The **Printer Configurations** dialog box opens.

For network connections:

- a Click **Add**.

The **Add New Printer Configuration** dialog box opens.

- b Click **Connection Wizard**.

The **Connection Wizard** dialog box opens.

- c Select **Line Printer Daemon (LPD) Protocol** from **Access Network Printer or Printserver Box** via.

- d Type the IP address of the printer in **IP Address or Host Name**:

- e Select **Dell** in the **Select the printer manufacturer**: drop-down menu.

- f Click **OK**.

The **Add New Printer Configuration** dialog box appears.

- g Select **Dell C2665dnf Color MFP PS vx.x [Dell/Dell_C2665dnf_Color_MFP.ppd.gz]** from the **Assign Driver** list.

 **NOTE:** You can specify the printer name in **Set Name**:

- h Confirm the settings, and click **OK**.


For USB connections:

- a Click **Add**.

The **Add New Printer Configuration** dialog box opens.

The printer name is displayed in the **Determine Connection** list.

- b Select **Dell C2665dnf Color MFP PS vx.x. [Dell/Dell_C2665dnf_Color_MFP.ppd.gz]** from the **Assign Driver** list.

 **NOTE:** You can specify the printer name in **Set Name**:

- c Confirm the settings, and click **OK**.

Printing From the Applications

When you have finished setting up the queue you can print jobs from the applications. Start the print job from the application, and specify the queue in the print dialog box.

However, sometimes you can print only from the default queue depending on the application (for example Mozilla). In these cases, before you start printing, set queue you want to print to as the default queue. For information on specifying the default queue, see "Setting the Default Queue."

Setting the Default Queue

You can set the default queue when you add the printer.

- 1 Select **Computer**→**More Applications...**, and select **YaST** on the Application Browser.
- 2 Type the administrator password, and click **Continue**.
YaST Control Center is activated.
- 3 Select **Hardware** on **YaST Control Center**, and select **Printer**.
The **Printer Configurations** dialog box opens.
- 4 Click **Edit**.
A dialog box to modify the specified queue opens.
- 5 Confirm that the printer you want to set is selected in the **Connection** list.
- 6 Select the **Default Printer** check box.
- 7 Confirm the settings, and click **OK**.

Specifying the Printing Options

You can specify the printing options such as color mode.

- 1 Open a web browser.
- 2 Type `http://localhost:631/admin` in **Location**, and press <Enter>.
- 3 Click **Manage Printers**.
- 4 Click **Set Printer Options** of the printer for which you want to specify the printing options.
- 5 Specify the required settings, and click **Set Printer Options**.
- 6 Type **root** as the user name, type the administrator password, and click **OK**.



NOTE: Set the password for authority as the printer administrator before setting the printer queue. If you have not set it, go to "Setting the Password for Authority as the Printer Administrator."

The message **Printer xxx has been configured successfully.** appears.

The setting is complete. Execute printing from the application.

Setting the Password for Authority as the Printer Administrator

You must set the password for authority as the printer administrator to do operations as the printer administrator.

- 1 Select **Computer**→**More Applications...** and select **GNOME Terminal** on the Application Browser.
- 2 Type the following command in the terminal window.

```
su
(Type the administrator password)
lppasswd -g sys -a root
(Type the password for authority as the printer administrator after
the Enter password prompt.)
(Retype the password for authority as the printer administrator after
the Enter password again prompt.)
```

Uninstalling the Printer Driver

- 1 Select **Computer**→**More Applications...** and select **GNOME Terminal** on the Application Browser.
- 2 Type the following command in the terminal window to delete the print queue.

```
su
(Type the administrator password)
/usr/sbin/lpadm -x (Type the printer queue name)
```

- 3 Repeat the command above for all queues for the same model.
- 4 Type the following command in the terminal window.

```
su
(Type the administrator password)
rpm -e Dell-C2665-Color-MFP
```

The printer driver is uninstalled.

