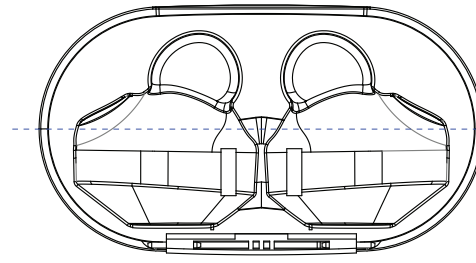
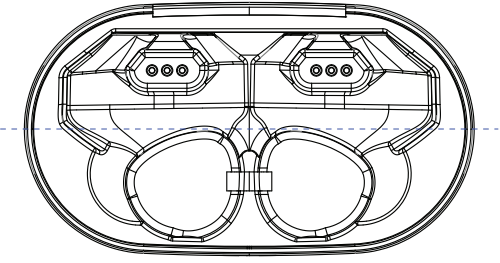


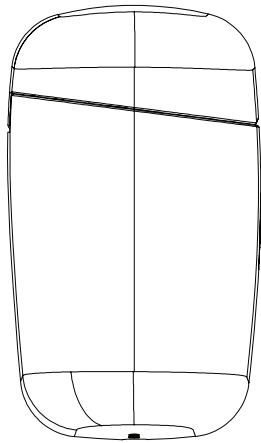
TOP



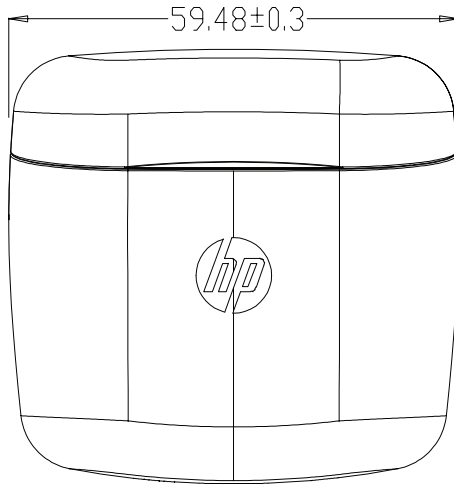
A CASE TOP INSIDE COVER



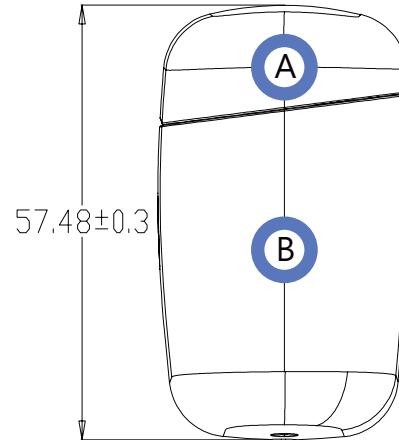
B CASE BOTTOM INSIDE COVER



LEFT



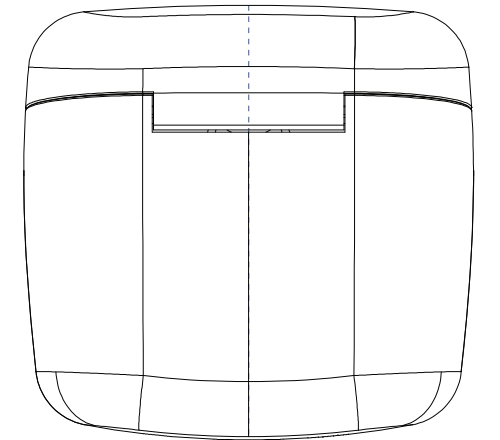
FRONT



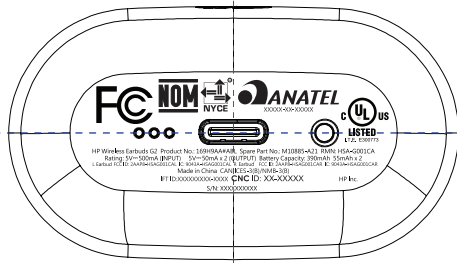
57.48±0.3

A

B



BACK



BOTTOM