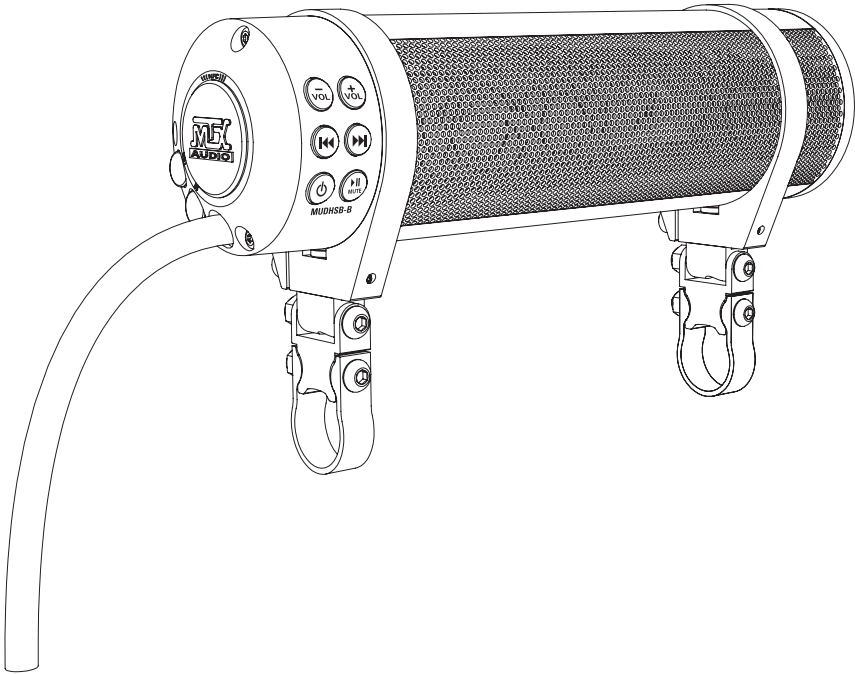




# THUNDER SPORTS™



**OWNER'S MANUAL  
MUDHSB  
HANDLEBAR AUDIO SYSTEM**



**NFC** Near Field Communication

MTX.COM





## **IMPORTANT NOTICE**

If you have any questions regarding wire routing in a vehicle, please contact MTX Technical Support at 1-800-225-5689.

When connecting power and ground wires ensure that the red power wire is fused at the point where it is connected to the vehicle's battery. Failure to do so can result in damage to the vehicle if a short circuit develops between the vehicle connection point and the product.

## **PRODUCT INFORMATION**

Model # \_\_\_\_\_

Serial # \_\_\_\_\_

Dealer's Name \_\_\_\_\_

Date of Purchase \_\_\_\_\_

## **IN THE BOX**

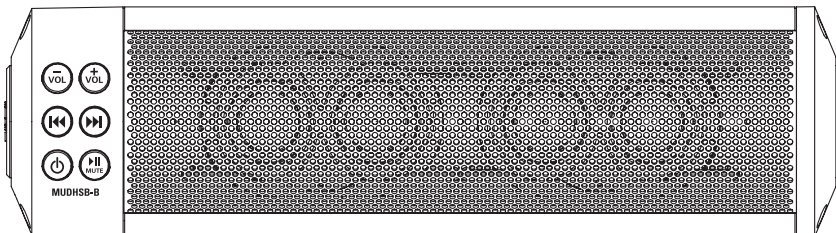
- MUDHSB-B Handlebar Audio System (Patent Pending)
- Installation Cables (Power/Ground/Ignition and Power Protection Module)
- Universal Mounting Clamps (Patent Pending)

## **INTRODUCTION**

Thank you for purchasing this MTX Audio MUDHSB-B Handlebar Audio System that is designed to work with most Bluetooth enabled devices including iPhone® and Android® smartphones and tablets. This easy to install and use, all in one unit is capable of transforming your Bluetooth enabled mobile device into the center of your vehicle's audio system. It is designed to mount a variety of bars between 7/8" and 1 1/4". Congratulations and enjoy the ultimate audio experience with MTX!

## **FEATURES**

- Two 2" x 3" Full Range Speakers and Four 1" High Frequency Tweeters
- All-Weather Construction for Use In Almost Any Environment
- Integrated Bluetooth Receiver
- Auxiliary Input for Connecting Devices Via 3.5mm Cable
- Auxiliary Output for Connecting An External Amplifier or Additional Sound Bar
- Patent Pending Universal Mounting Clamps Fit Bars Between 7/8" and 1 1/4"
- Power, Ground, Ignition Wire, and 12V Trigger Output Included for Easy Installation
- Automated Bluetooth Pairing via NFC





## **ELECTRICAL OPERATION**

1. Tap the Power button to turn the unit on. (Power, Ground, and Ignition wire need to be connected to a 12V power source.)
2. Tap the Power button to switch modes between Bluetooth and AUX.
3. Hold the Power button for 2 seconds to turn the unit Off. **Note:** The buttons will stay illuminated as long as the Ignition wire has 12V applied to it.
4. The integrated fuse and ring terminals allow for easy wire connection to a 12V power source.
5. The remote turn on (blue wire) only operates when the unit is powered on.

**Note:** The indicator light will illuminate Blue when in Bluetooth mode and Green when in AUX mode.

**Warning:** Do not remove the Power Protection Module (black box) next to the fuse on the wire harness.

## **OPERATION**

Follow these steps to utilize the Bluetooth functionality using a Bluetooth enabled device:

1. Power the unit On by tapping the Power button once.
2. Select Bluetooth by tapping the Power button until it blinks Blue.
3. Select "MTX Sound Bar" from the menu on your Bluetooth enabled device. The unit will power on in Bluetooth mode first when it is turned on by tapping. If the Ignition wire is disconnected, (vehicle is turned off and then turned on) the unit will revert back to the previous Bluetooth or AUX setting.
4. Choose "Pair" when prompted.
5. Once "Paired" the unit will be able to play audio from your Bluetooth device.

The front panel control buttons will control track forward/back and volume up/down in this mode. The Play/Pause button will mute the output and the LED indicator will blink Blue when in Mute mode.

Follow these steps to utilize Bluetooth in a NFC (Near Field Communication) enabled device:

1. Power the unit On by tapping the Power button once.
2. Select Bluetooth by tapping the Power button until it blinks Blue.
3. Tap the NFC enabled device on the (left) side of the enclosure (marked by NFC label).
4. Choose "Pair" when prompted.
5. Once "Paired" the unit will be able to play audio from your NFC device.

Follow these steps to utilize an Auxiliary input device:

1. Power the unit On by tapping the Power button once.
2. Select Auxiliary by tapping the Power button until it blinks Green.
3. Connect an audio device to the AUX input using the "Green" 3.5mm input on the side of the unit. The LED will illuminate Green, and will blink Green when in mute mode.

The front panel control buttons will adjust the Volume up/down in this mode. The Play/Pause button will mute the audio output and the LED indicator will blink Green when in Mute mode.

Using the auxiliary output. Output marked on (left) side of enclosure.

1. Auxiliary out is a variable output that allows connection to a secondary audio device, whether it is an external amplifier connected to speakers or subwoofer.
2. The MUDHSB-B can be used with a second MUDHSB-B unit. For the best audio performance, the second unit connected via Auxiliary should have the volume set to the max.
3. The blue wire on the wire harness can be used as a remote turn on for the second audio device.

Controlling the Volume

The LED indicator light will blink in both Bluetooth and AUX modes at max volume.



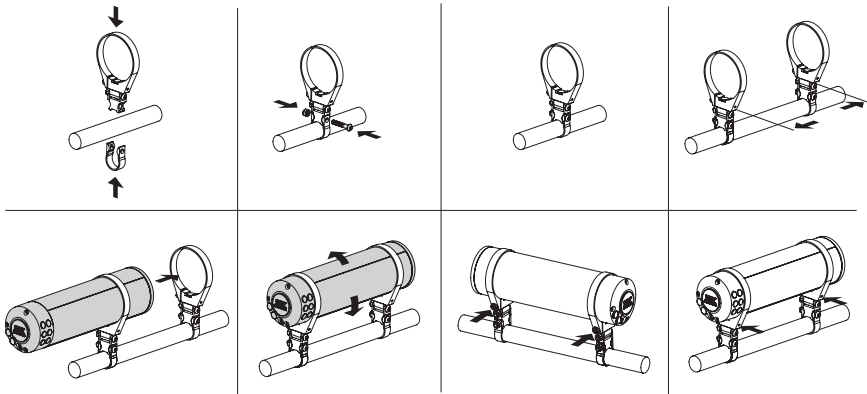
## INSTALLATION

The MUDHSB-B can be used with any 12-volt battery and can be mounted to a variety of bars using the included hardware. The unit has four wires in its wiring pigtail. The red wire, hot, should be directly connected to the vehicle's positive battery terminal. The black wire, ground, should be connected directly to the vehicle's chassis where paint has been removed or the negative terminal on the battery. The orange wire, ignition, should be connected to the ignition wire on the vehicle. The blue wire, optional output, can be used to turn on additional amplifiers.

The unit features fully adjustable clamps for mounting to bars between  $\frac{7}{8}$ " and  $1\frac{1}{4}$ ". The clamps can be used to mount to many styles of handlebar and roll bar systems. The included brackets are versatile, so mounting to angled bars is possible.

Scenario 1 - User first mounts clamps to handlebar, then installs sound bar.

- Choose the correct size strap clamp for the handlebars.
- Assemble mid-section to bottom bracket using included 4mm Allen Screw and 10mm Hex Nut.
- Ensure that the spacing between the brackets is between 3" and 6.75".
- Slide the sound bar into the brackets from the left side, so the brackets can clear the buttons without damaging them.
- Rotate the sound bar so the speakers are directed at the rider's head.
- Tighten the 5mm Allen Screws to lock the sound bar in place.
- Tighten the 2mm Set Screws.
- Connect wires to power, ground, and ignition.

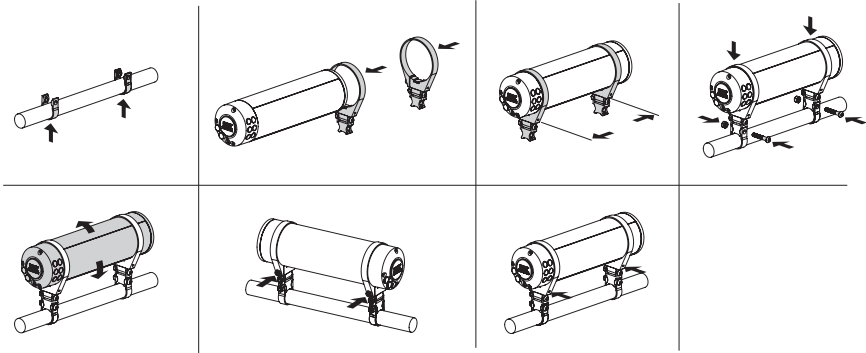




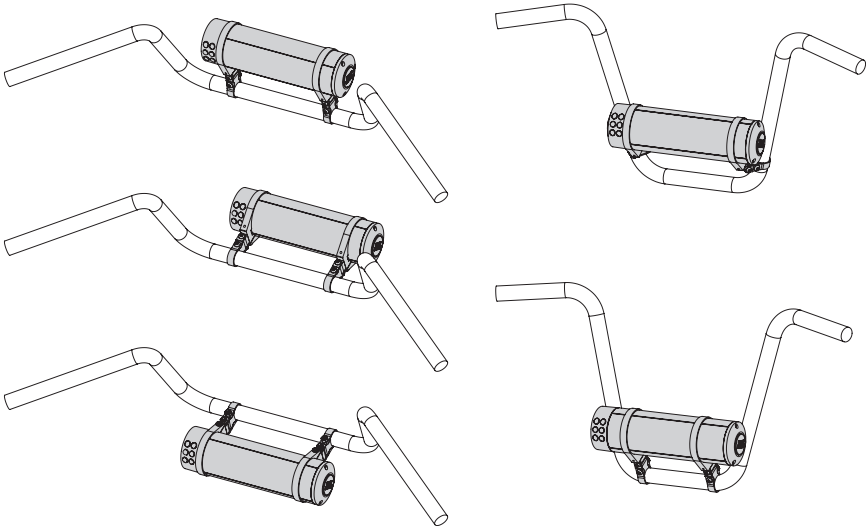
## INSTALLATION

Scenario 2 - User first installs sound bar, then mounts clamps to handlebar.

- Choose the correct size strap clamp for the handlebars.
- Slide the sound bar into the brackets from the left side, so the brackets can clear the buttons without damaging them.
- Ensure that the spacing between the brackets is between 3" and 6.75".
- Assemble mid-section to bottom bracket using included 4mm Allen Screw and 10mm Hex Nut.
- Rotate the sound bar so the speakers are directed at the rider's head.
- Tighten the 5mm Allen Screws to lock the sound bar in place.
- Tighten the 2mm Set Screws.
- Connect wires to power, ground, and ignition.



## ORIENTATION EXAMPLES









This equipment has been tested and found to comply with the limits for a Class B digital device, pursuant to Part 15 of the FCC rules. These limits are designed to provide reasonable protection against harmful interference in a residential installation. This equipment generates, uses, and can radiate radio frequency energy and, if not installed and used in accordance with the instructions, may cause harmful interference to radio communications. However, this is no guarantee that interference will not occur in a particular installation. If this equipment does cause harmful interference to radio or television reception, which can be determined by turning the equipment off and on, you are encouraged to try to correct the interference by one or more of the following measures:

- Reorient or relocate the receiving antenna.
- Increase the separation between the equipment and receiver.
- Connect the equipment to an outlet on a different circuit than the one to which the receiver is connected.
- Consult the dealer or an experienced radio/TV technician for help.

Changes or modifications not expressly approved by Mitek Corporation could void the user's authority to operate this equipment. This device complies with part 15 of the FCC Rules. Operation is subject to the following two conditions: (1) This device may not cause harmful interference, and (2) this device must accept any interference received, including interference that may cause undesired operation

© 2015 Mitek Corporation. All rights reserved. MTX is a trademark of Mitek Corporation. Designed and Engineered in the U.S.A.

Due to continual product development, all specifications are subject to change without notice.

MTX Audio, 4545 East Baseline Rd. Phoenix, AZ 85042 U.S.A. 1-800-225-5689

MTX005245 RevA 7/15 • 21A10420 • AW0015136

