

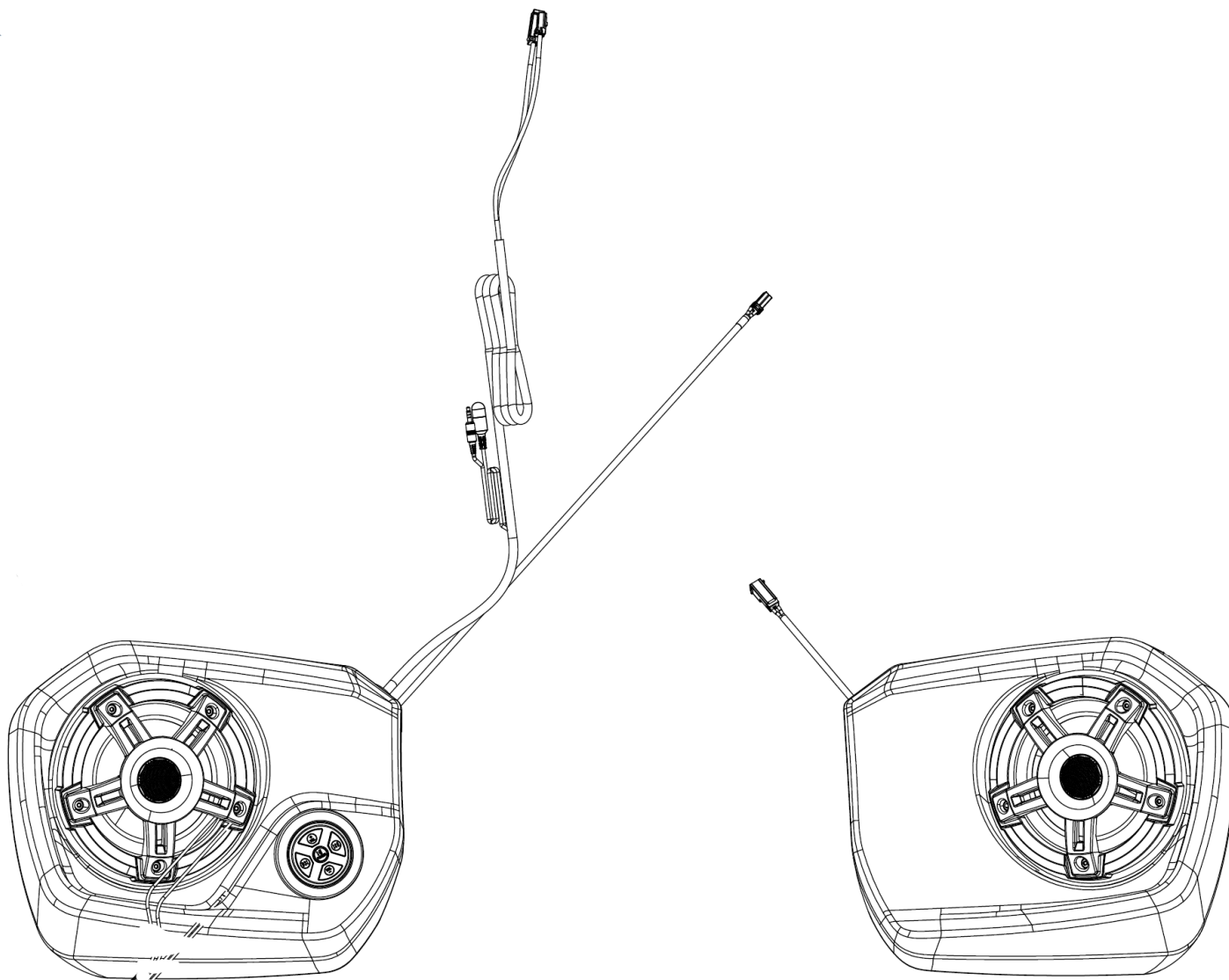
# OWNER'S MANUAL

# BRP ATV Sound System 715005354

## 1 FUNCTIONAL

### 1.1 USER INTERFACE

- Same as the BRP Sea-doo Orca F and Orca L user interface (BT dongle). Also includes Audio line-in and line-out features on the amplifier.
- System to mute BT signal if Aux in use used
  - Loss of volume, back and forward controls will not work when in Aux in mode
- Ergonomic and safety
  - Controls are accessible while driving the vehicle
  - Controls positions are readable while driving
  - No possible entrapment of clothing or body part
  - No interference with driving maneuvers or visibility



### 1.2 MECHANICAL REQUIREMENTS

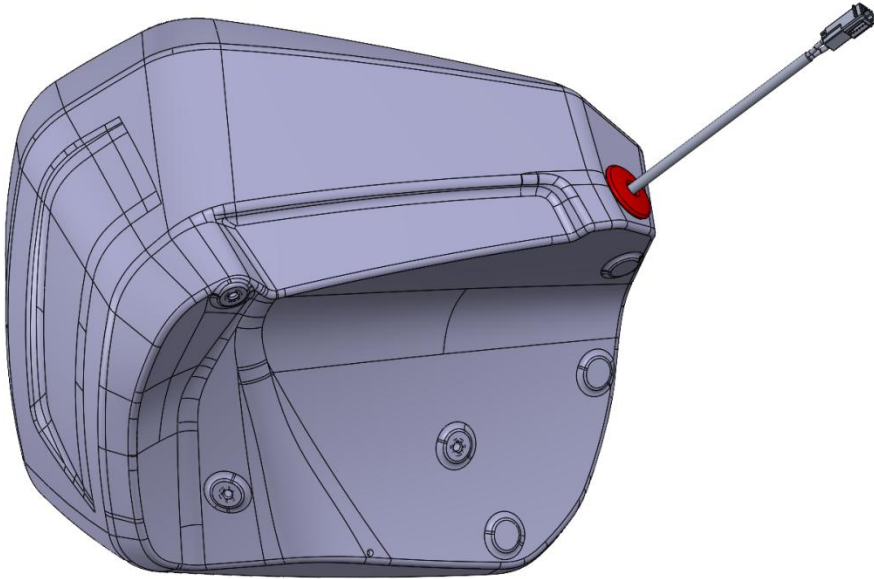
- All gasket and seals to be closed cell Poronfoam type
- Tweeters to IP67 rated
  - Potted with silicone glue on back side
  - Must withstand high press washing IP69K (with grill)
- No sharp edges where contact may occur while riding
- Injected plastic parts information in raised lettering:
  - FABRIQUE AU / MADE IN (XXX)SUPPLIER PART NUMBER
  - SAE PLASTIC CODE
  - CALENDAR (YEAR, MONTH)
  - CAVITY NUMBER (IF APPLICABLE)

#### 1.2.1 Enclosures

Mitek will provide the 3D and 2D CAD for the sound system enclosures designed by BRP. The enclosures will have over-molded threaded inserts that must resist between 8 Nm and 12 Nm of torque and 250 N pull-out force.

- LH enclosure to include over molded aluminum ring for BT remote mounting
- Weep hole for condensation and water at lowest point of enclosure while installed on the machine
- M4 threaded brass inserts for amplifier and speaker (2 places for each component)
- The sound system will be installed on the front fender of the vehicle which will use M6 threaded screws. Fastener locations and qty highlighted in blue

## LH enclosure



## RH enclosure



## 1.3 ELECTRICAL

### 1.3.1 Maximum Input Current

- 10 Amps

#### 1.3.1.1 Amplifier

- Amplifier to be Class D topology
- Amplifier to be DSP 50W x 2
- Amplifier to not have noticeable turn-on/off pop

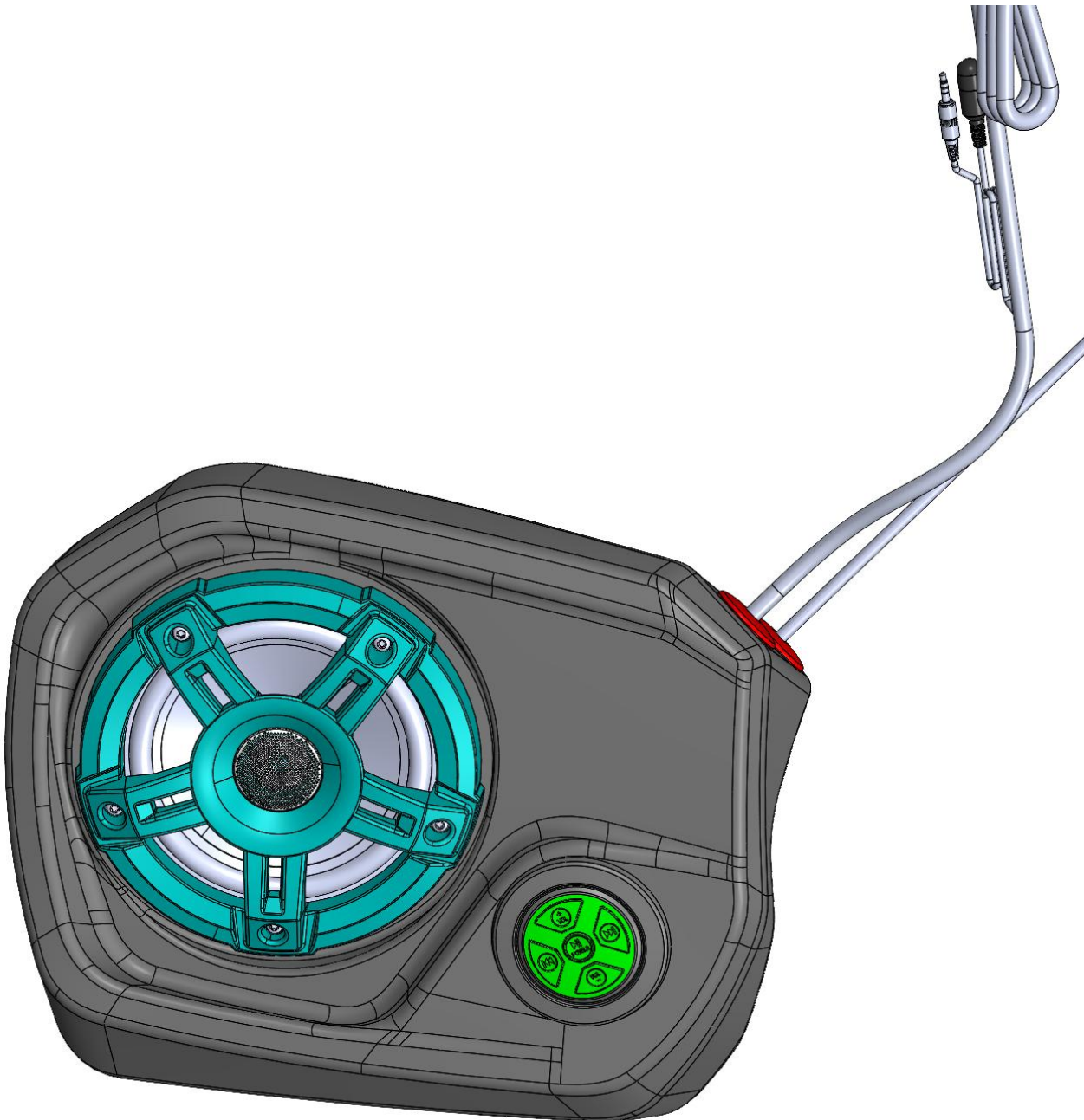
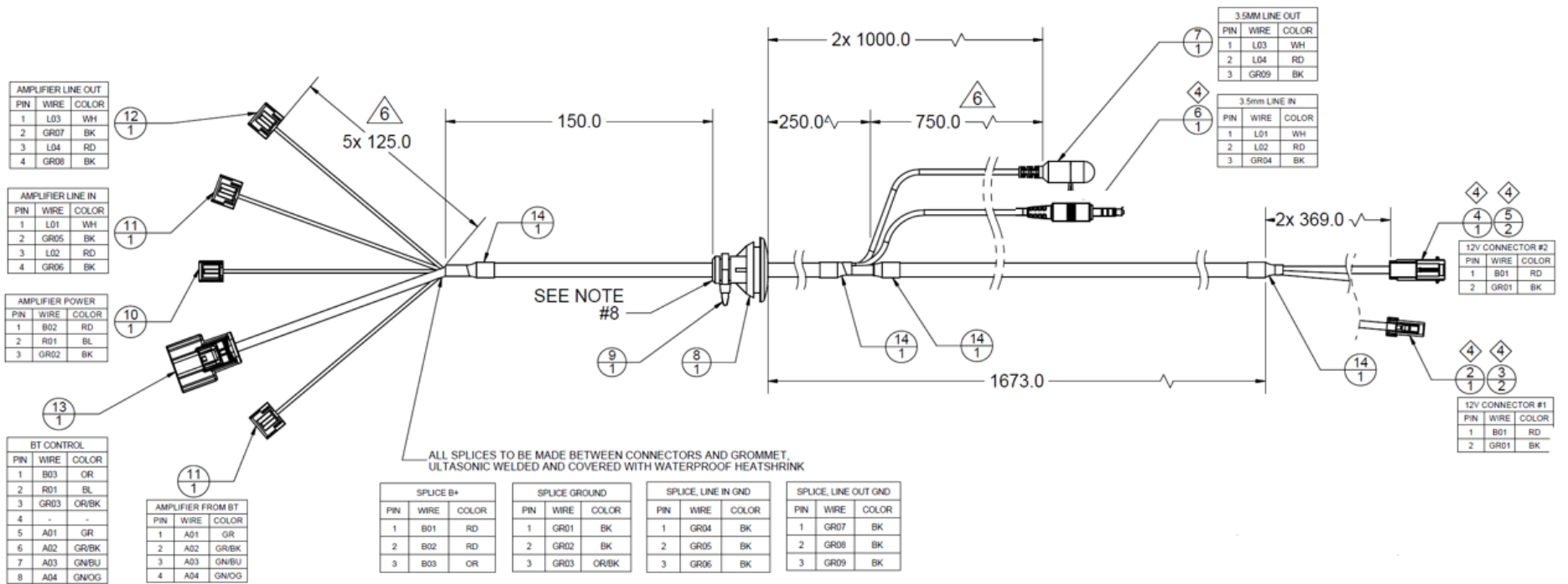
### 1.3.2 Wireless Bluetooth

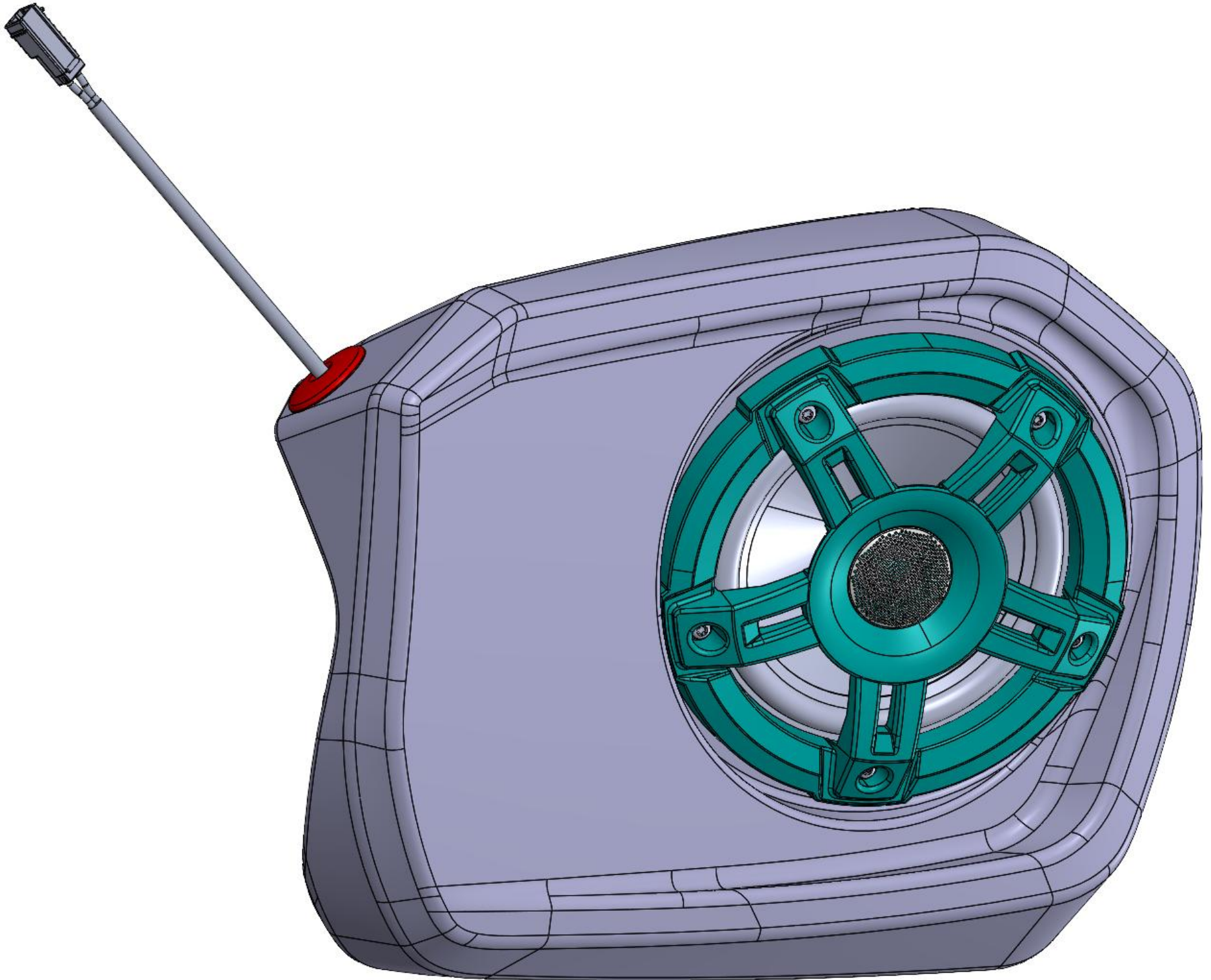
- Bluetooth Version 4.1

## 1.4 WIRE HARNESSES AND CONNECTIONS

- For all wire harnesses
  - Wire Type to be TWP
  - 1" rubber grommets to be used for 5mm thick material
  - 105C pvc tubing with adhesive lined heat shrink tube sealing the ends of the PVC tube to the wires.
    - Glue to be used between wires to keep out water

- All external connectors to be sealed
- Use dielectric grease on all internal and external connections
- Apply connector glue to all connectors on PCB
- Apply glue between grommet and harness for maximum sealing
- For speaker connectors
  - Solder wires directly to speaker followed by glue
- Amp connections
  - Use dielectric grease on all connectors
  - Add connector glue to all connectors
  - Secure harness to amplifier via 2x zip ties





#### NOTE

This device complies with Part 15 of the FCC Rules [and contains license-exempt transmitter(s)/receiver(s) that comply with Innovation, Science and Economic Development Canada's licence-exempt RSS standard(s)].

Operation is subject to the following two conditions:

- (1) This device may not cause harmful interference, and
- (2) This device must accept any interference received, including interference that may cause undesired operation of the device.

L'émetteur/récepteur exempt de licence contenu dans le présent appareil est conforme aux CNR d'Innovation, Sciences et Développement économique Canada applicables aux appareils radio exempts de licence. L'exploitation est autorisée aux deux conditions suivantes:

- (1) l'appareil ne doit pas produire de brouillage, et
- (2) l'appareil doit accepter tout brouillage radioélectrique subi, même si le brouillage est susceptible d'en compromettre le fonctionnement.

2、

This equipment has been tested and found to comply with the limits for a Class B digital device, pursuant to part 15 of the FCC Rules. These limits are designed to provide reasonable protection against harmful interference in a residential installation. This equipment generates, uses and can radiate radio frequency energy and, if not installed and used in accordance with the instructions, may cause harmful interference to radio communications. However, there is no guarantee that interference will not occur in a particular installation. If this equipment does cause harmful interference to radio or television reception, which can be determined by turning the equipment off and on, the user is encouraged to try to correct the interference by one or more of the following measures:

- Reorient or relocate the receiving antenna.
- Increase the separation between the equipment and receiver.
- Connect the equipment into an outlet on a circuit different from that to which the receiver is connected.
- Consult the dealer or an experienced radio/TV technician for help.

Changes or modifications not expressly approved by the party responsible for compliance could void the user's authority to operate the equipment.

CAN ICES-003 (B) / NMB-003 (B)

### **3. Radiation Exposure Statement**

This equipment complies with FCC and IC radiation exposure limits set forth for an uncontrolled environment. This equipment should be installed and operated with minimum distance 20cm between the radiator & your body. Cet appareil est conforme à FCC et IC l'exposition aux rayonnements limites fixées pour un environnement non contrôlé. Cet appareil doit être installé et utilisé avec une distance minimale de 20 cm entre le radiateur et votre corps. Cet transmetteur ne doit pas être co-situé ou opérant en liaison avec toute autre antenne ou transmetteur