

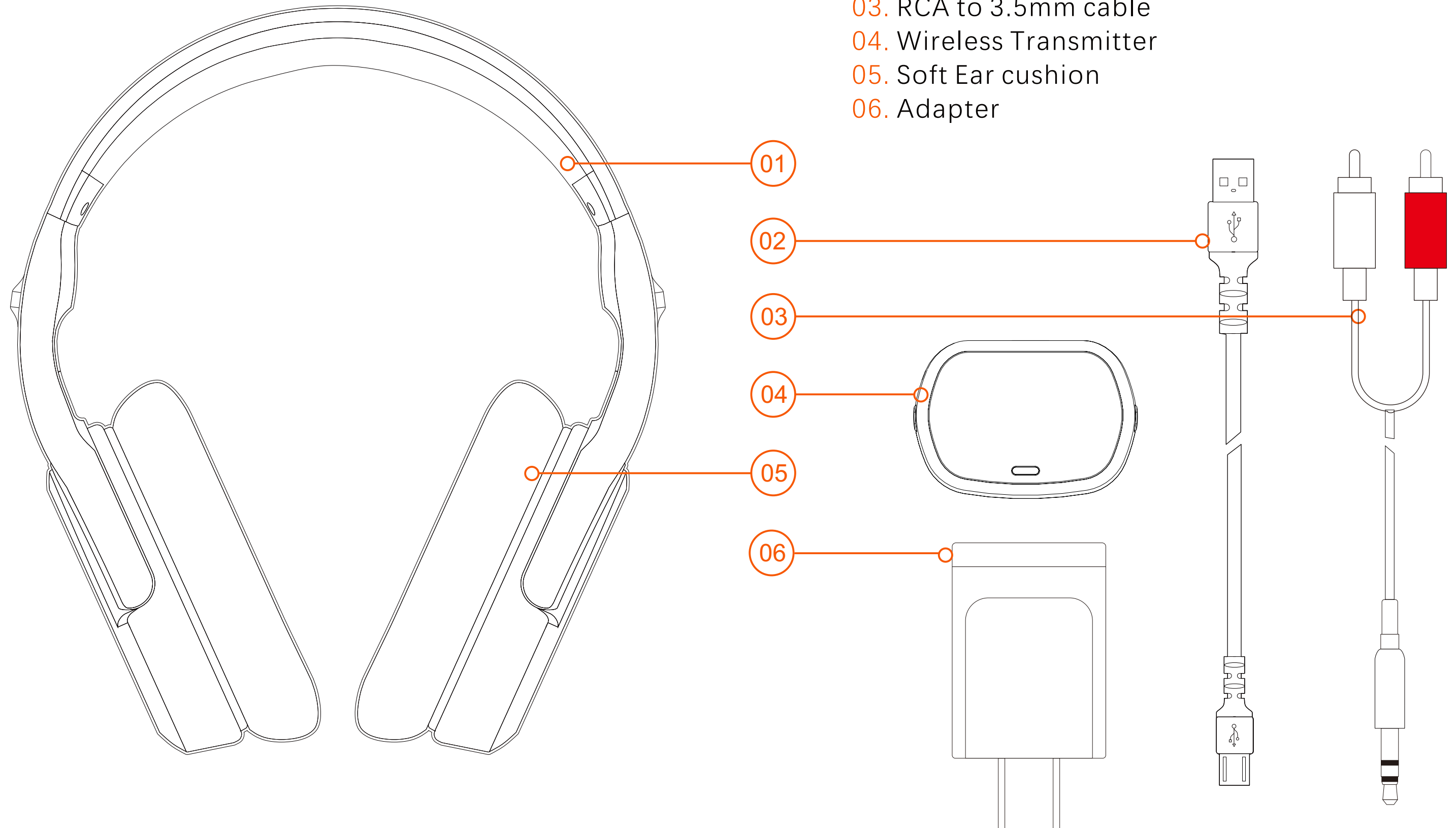
GGBVGTV100BKUS

PRODUCT INFORMATION GUIDE



PRODUCT OVERVIEW

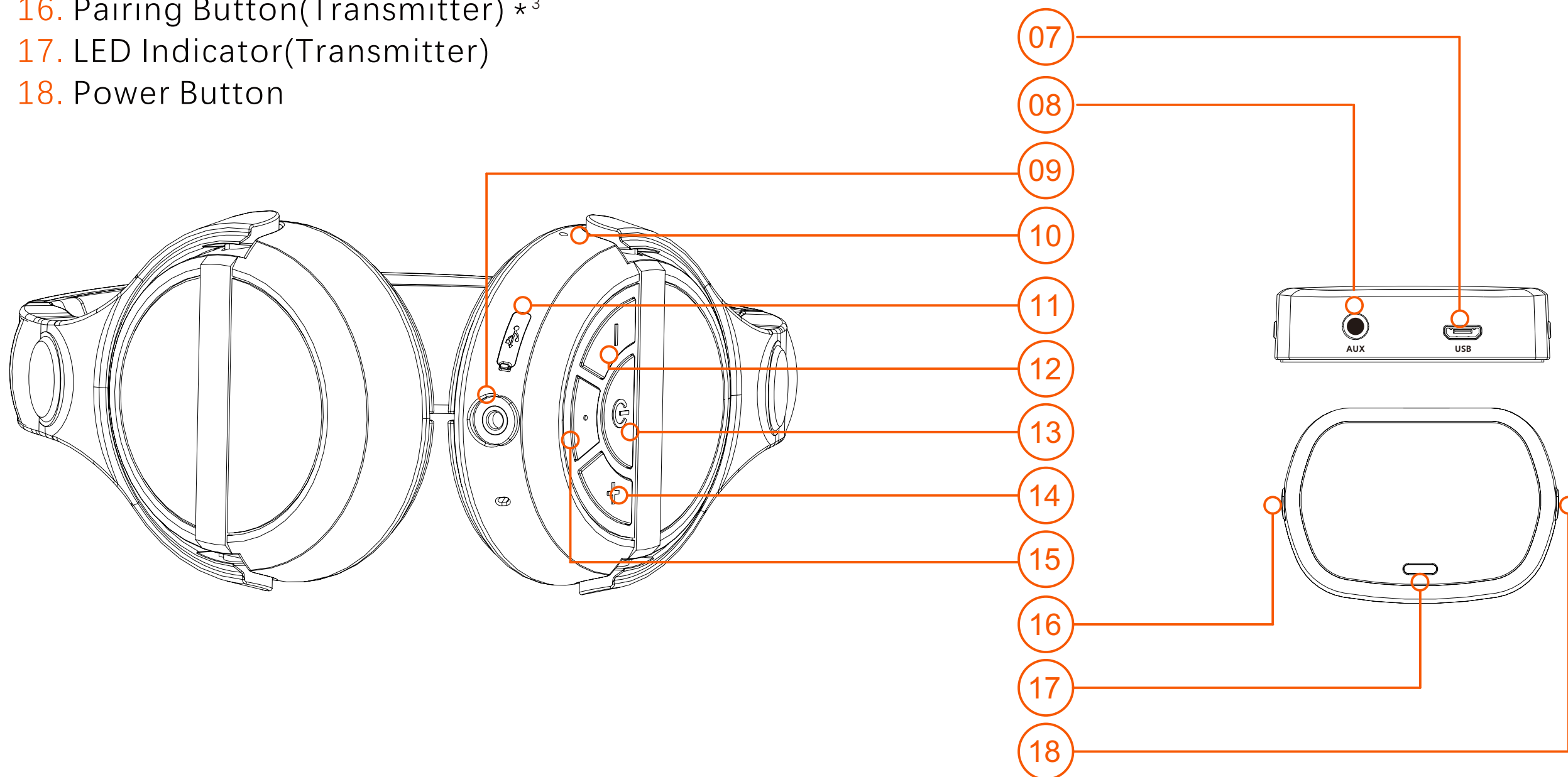
- 01. Adaptive design headband
- 02. Micro-USB charging&console cable
- 03. RCA to 3.5mm cable
- 04. Wireless Transmitter
- 05. Soft Ear cushion
- 06. Adapter



PRODUCT OVERVIEW

- 07. Micro USB Jack For Power/Audio*¹
- 08. 3.5mm In Jack
- 09. 3.5mm In jack
- 10. LED Indicator(Headphone)
- 11. Micro USB For Charing
- 12. Volume Down
- 13. Power Button
- 14. Volume Up
- 15. Mute/Pairing Button*²
- 16. Pairing Button(Transmitter) *³
- 17. LED Indicator(Transmitter)
- 18. Power Button

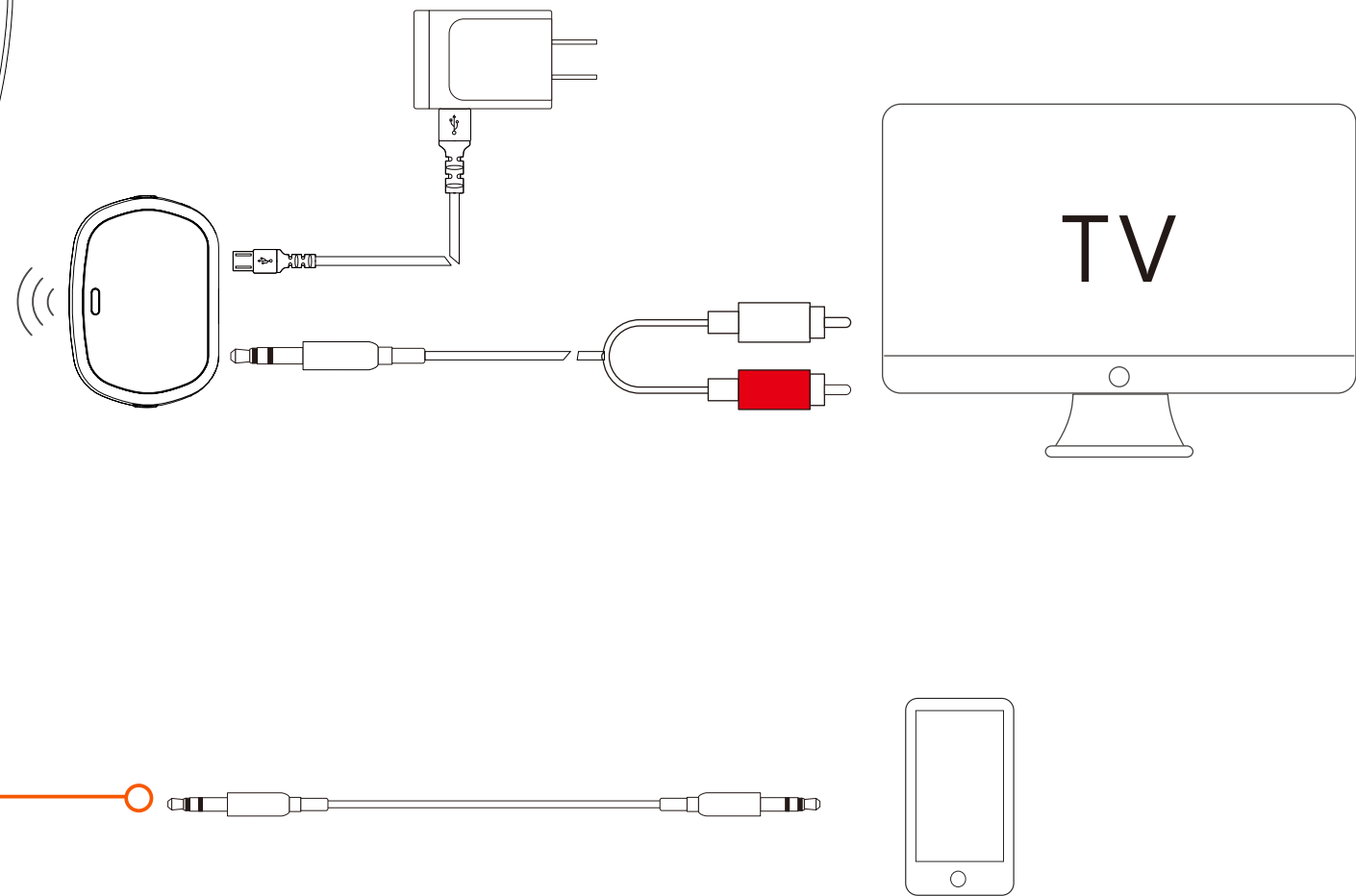
- *01 PS4/PC support Power+audio
- *02 Press for mute microphone
Press and hold 3s for Pairing
- *03 Press and hold for 3s for Pairing



SETUP



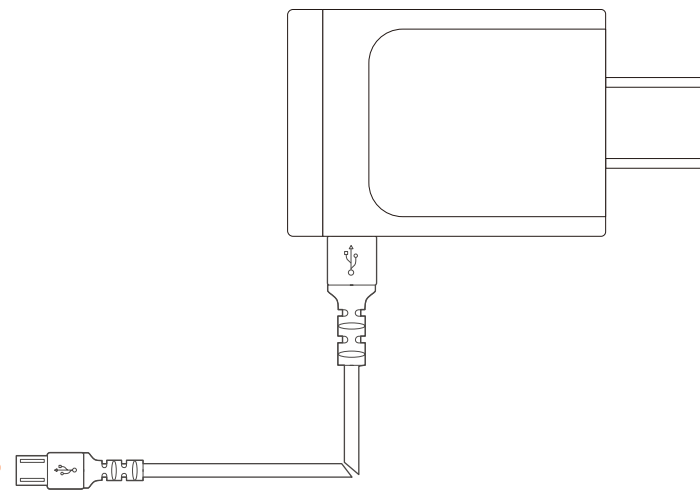
1. Use the Micro-USB cable to connect Adapter and Wireless Transmitter to power up
2. Use the RCA to 3.5mm cable connect your TV(RCA output Jack) to Wireless Transmitter(3.5mm In)
3. You can also use 3.5mm to 3.5mm cable connect Mobile/soundBar to Headphone directly



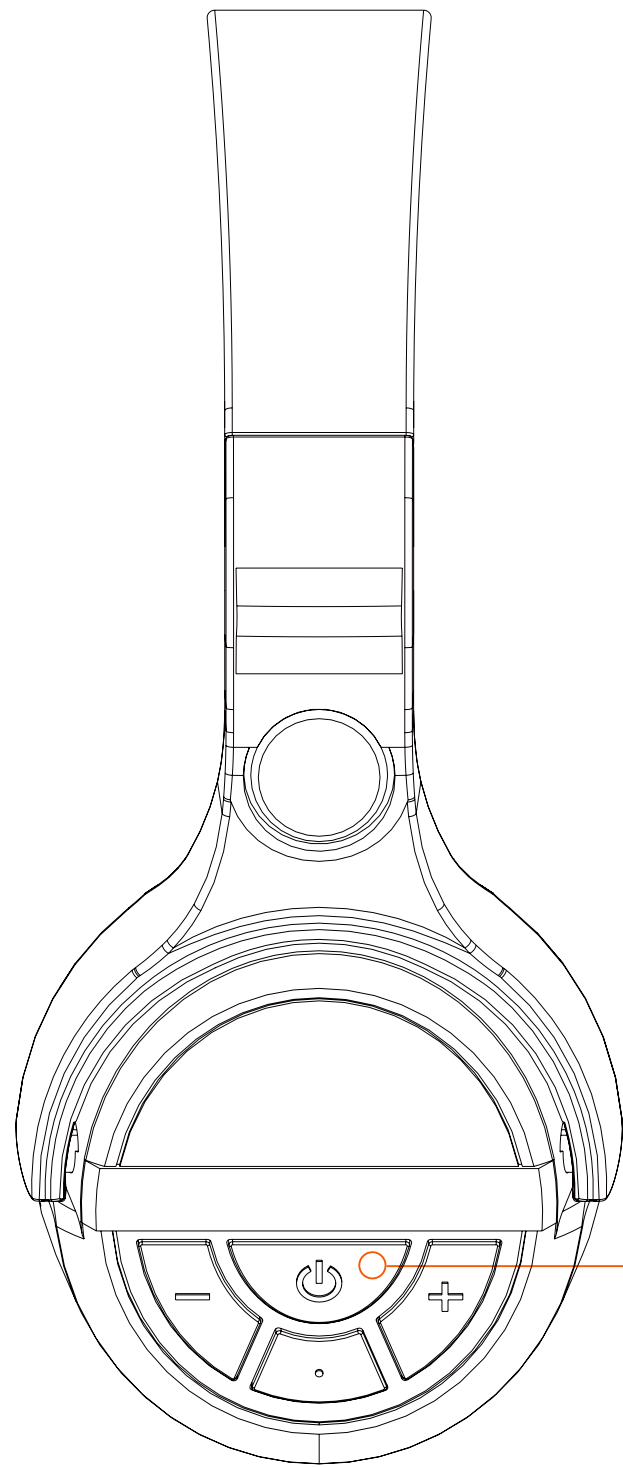
CHARGING



- 1.To charge the headphone connect the micro-USB cable to the Charging port on the headphone and plug the other end into Adapter
- 2.LED indicator will Red when charging, will off when charging full



POWER ON/OFF



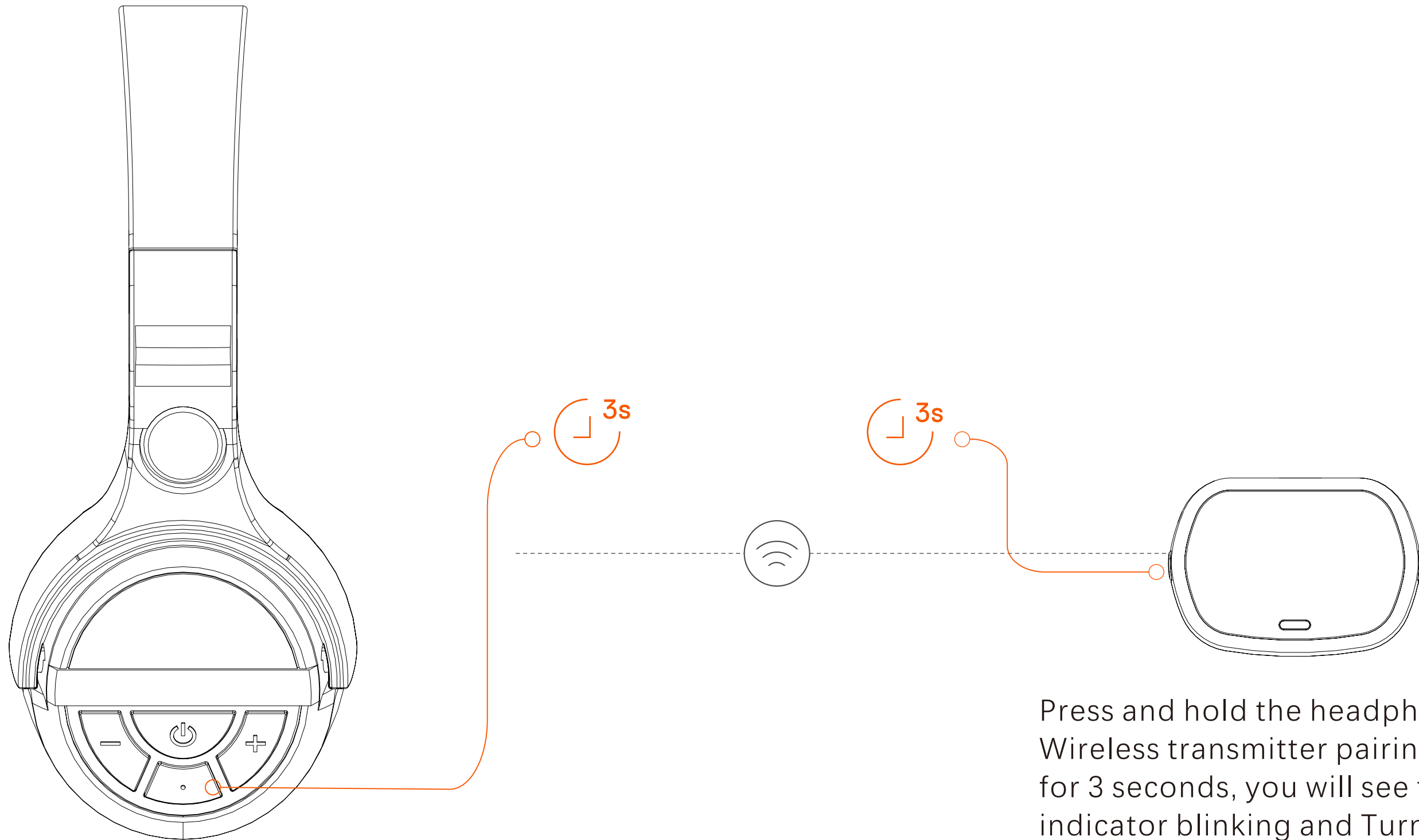
To power on the headset press and hold the power button for at least 3 seconds. The LED indicator will Red.



To power off the headset press and hold the power button for at least 3 seconds. The LED indicator will off.

PAIRING

 The headset is already paired to the transmitter when it arrives.

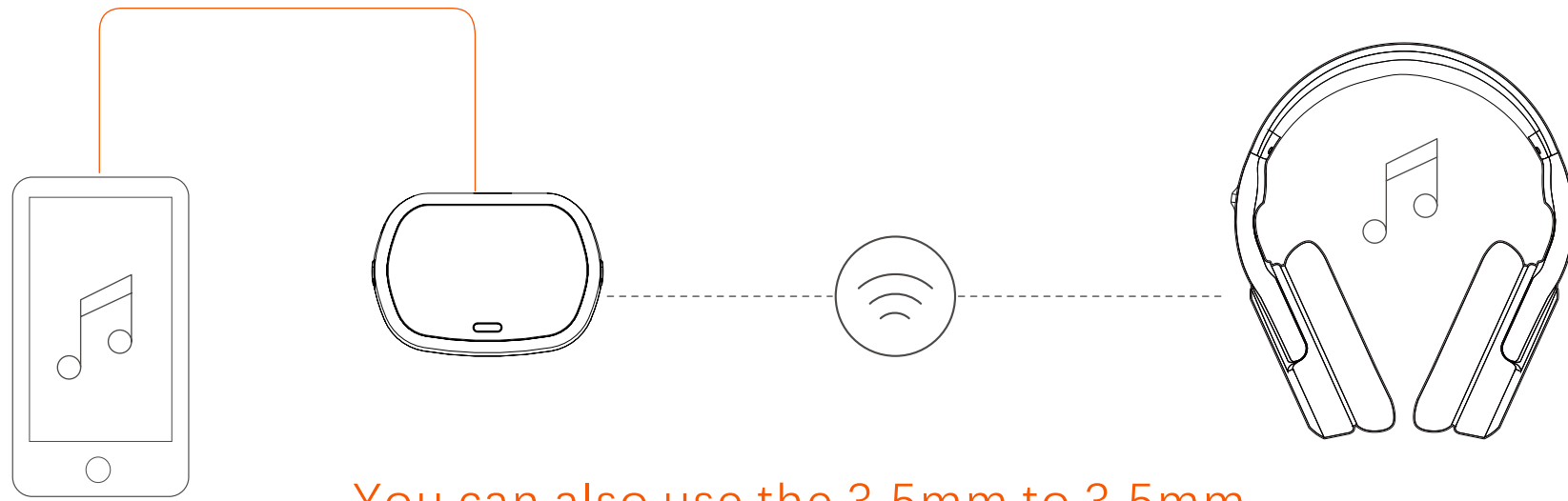


Press and hold the headphone & Wireless transmitter pairing button for 3 seconds, you will see the LED indicator blinking and Turn Red, the pairing will be done.

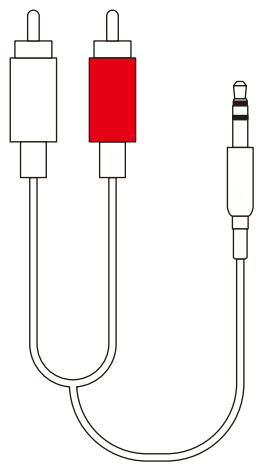
OTHER CONNECT FOR WIRELESS AUDIO



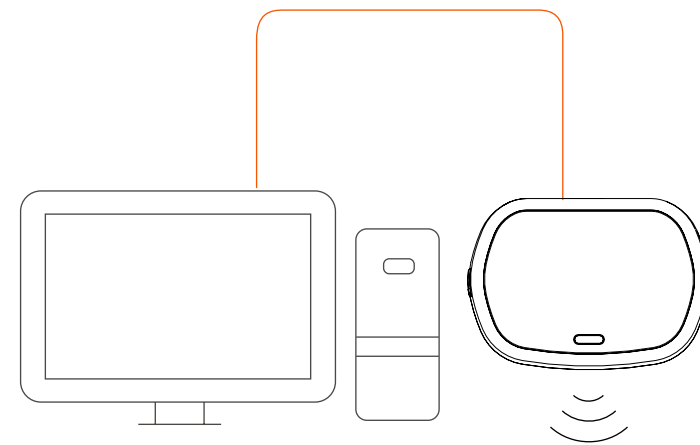
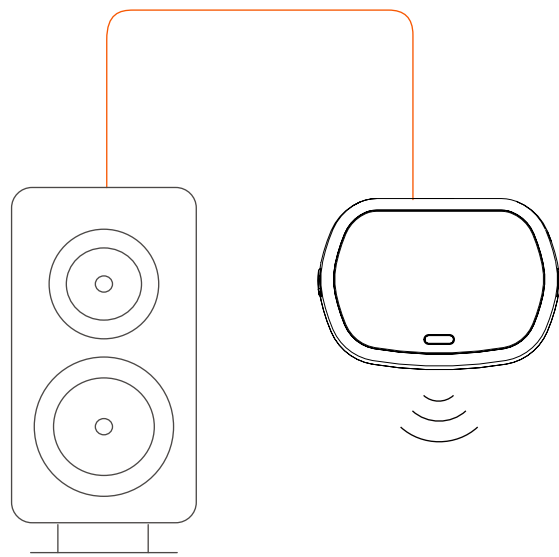
! NOT INCLUDE
3.5mm TO 3.5mm
CABLE



You can also use the 3.5mm to 3.5mm cable to connect your mobile to Wireless transmitter for enjoy wireless audio

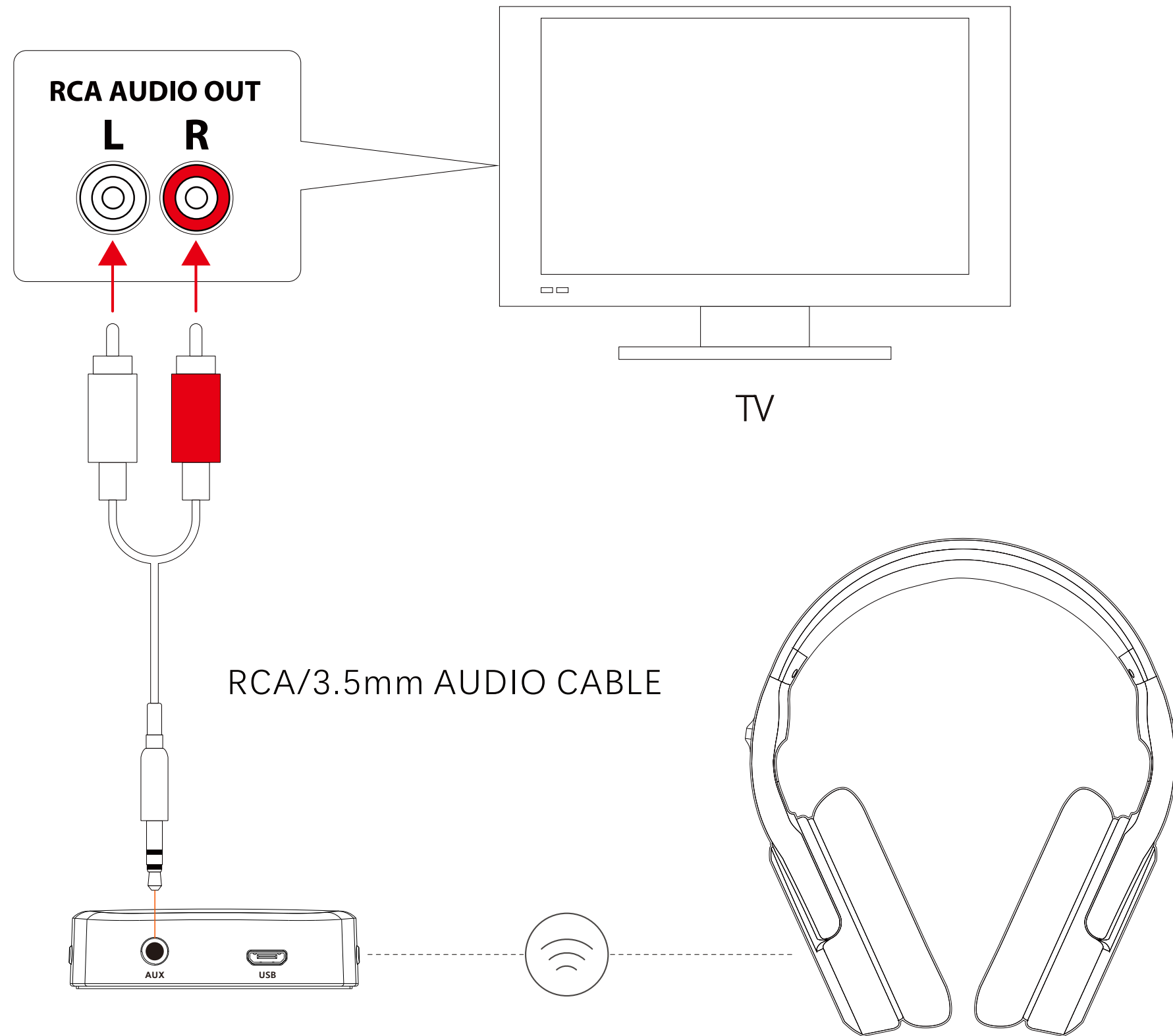


! NOT INCLUDE
RCA AUDIO CABLE

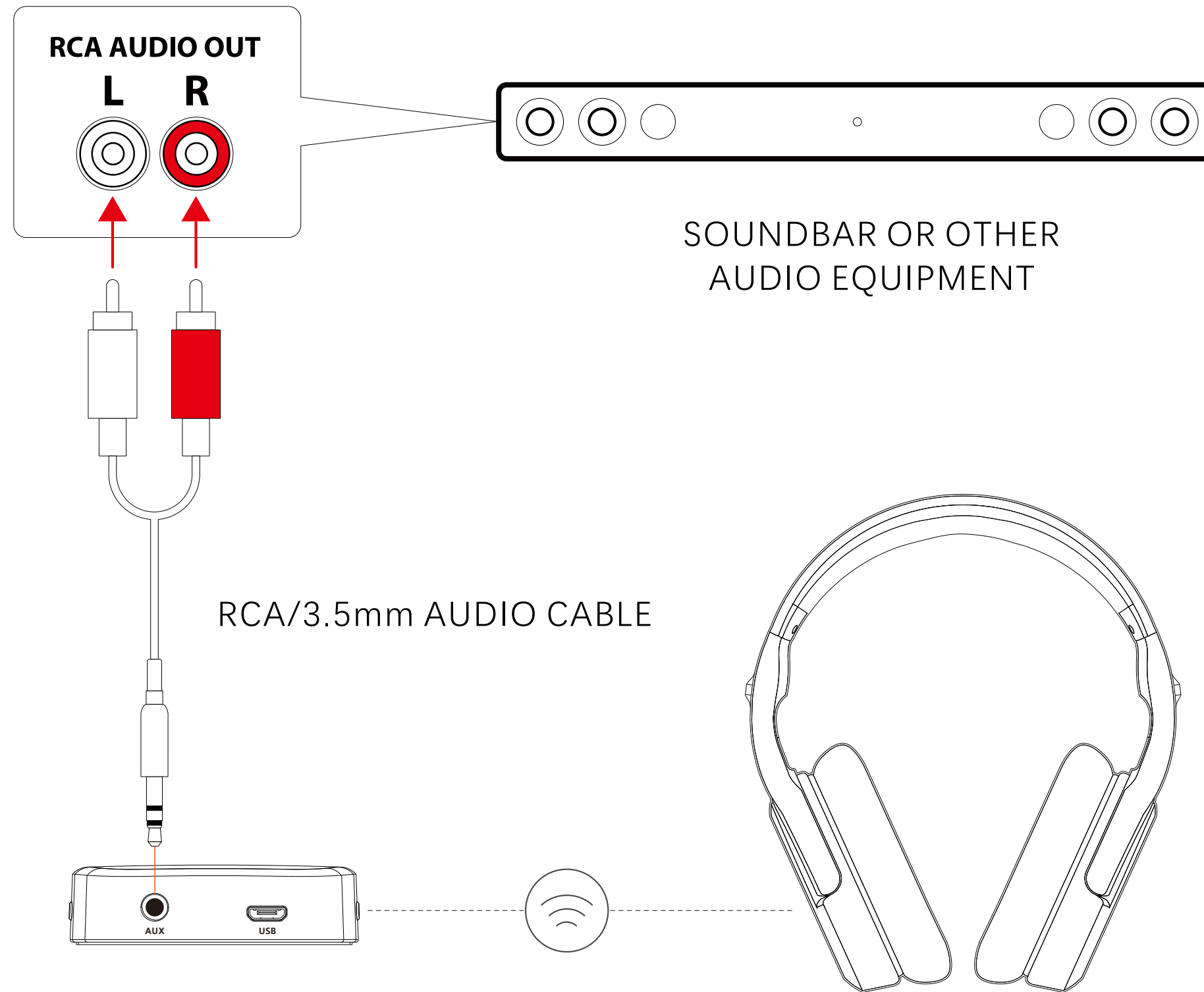


MICRO-USB-CABLE

Connect To TV



Connect To SoundBar/Other Audio equipment



FCC Statement

This equipment has been tested and found to comply with the limits for a Class B digital device, pursuant to part 15 of the FCC Rules. These limits are designed to provide reasonable protection against harmful interference in a residential installation. This equipment generates, uses and can radiate radio frequency energy and, if not installed and used in accordance with the instructions, may cause harmful interference to radio communications. However, there is no guarantee that interference will not occur in a particular installation. If this equipment does cause harmful interference to radio or television reception, which can be determined by turning the equipment off and on, the user is encouraged to try to correct the interference by one or more of the following measures:

- Reorient or relocate the receiving antenna.
- Increase the separation between the equipment and receiver.
- Connect the equipment into an outlet on a circuit different from that to which the receiver is connected.
- Consult the dealer or an experienced radio/TV technician for help.

Caution: Any changes or modifications to this device not explicitly approved by manufacturer could void your authority to operate this equipment.

This device complies with part 15 of the FCC Rules. Operation is subject to the following two conditions: (1) This device may not cause harmful interference, and (2) this device must accept any interference received, including interference that may cause undesired operation.

Radiation Exposure Statement

This equipment complies with FCC radiation exposure limits set forth for an uncontrolled environment. This equipment should be installed and operated with minimum distance 20cm between the radiator and your body.

This transmitter must not be co-located or operating in conjunction with any other antenna or transmitter.