

63 x73mm

说明书材质: 80g铜板纸

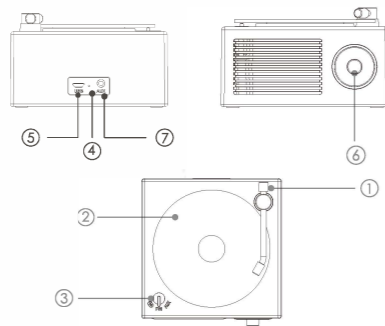
SARINA

VINTAGE VINYL retro wireless speaker



Operation Manual SA-VNYL

PRODUCT DIAGRAMS



FUNCTION INTRODUCTION

1. Tone arm - ON/OFF switch
2. Spinning record - spins when music is playing
3. Mode switch
4. Indicator light.
5. Charging port.

6. Audio controls

Rotate: adjust volume
 Single press: next track
 Double press: previous track,
 Long press: pause/play

a) In Bluetooth mode

- i. Rotate left to decrease the volume
- ii. Rotate right for volume increase
- iii. Short press next song
- iv. Double click the previous song
- v. Long press for 2 seconds to pause/play

b) Telephone call

- i. Short press to answer the incoming call
- ii. Short press to hang up while on a call
- iii. Long press to reject the incoming call

c) In FM mode

- i. Rotate left to decrease the volume
 - ii. Rotate right for volume increase
 - iii. Press and hold for 3 seconds to search for the radio station and memorize it
 - iv. Short press to jump to the next station in memory
 - v. Double click to jump to the previous station in memory
7. AUX Jack

SPECIFICATIONS

Bluetooth® version: 5.1
 Battery: 3.7V/300mAh
 Charging Time: 3hrs
 Input parameter: DC 5V 1A
 Loudspeaker: 40mm 4Ω 3W
 Bluetooth link range: 10 meters
 Product size: 112.4 x 105 x 57mm
 Weight: 0.593 lb/0.269 kg
 BT ID:
 FCC ID: 2AANZVNYL1

CONTENTS

- Vintage Vinyl speaker
- Micro USB charging cable
- User manual
- 3.5mm Audio cable

INTERNAL BATTERY CARE

- Be sure to charge the speaker fully, before use.
- Do not overcharge - Charging takes 2-3 hours, overcharging may severely affect battery life.
- Speaker may lose charge if not used for a long period
- Only use included cable for charging this device
- Indicator light will turn red when charging and blue when fully charged

PAIRING BLUETOOTH SPEAKER

1. To pair the device, turn the mode switch to Bluetooth. The speaker will automatically await pairing.
 2. From your smartphone or tablet, find a list of nearby devices and choose "SA-VNYL"
 3. Enter "0000" if asked. The speaker will "beep" when the pairing is complete.
- If the speaker has been paired prior, it will connect automatically

SAFETY GUIDELINES

- Please read the instruction carefully before use and keep them for reference.
- Keep the speaker away from heat and open fire.
- Do not insert sharp objects and metal into the speaker to avoid a short circuit.
- Do not attempt to repair the speaker
- Turn the device off if exposed to extreme heat or liquid
- Do not attempt to use the speaker with AC input, be sure the device is unplugged from power and charged before each use.

FCC STATEMENT

This device complies with part 15 of the FCC Rules. Operation is subject to the following two conditions: (1) This device may not cause harmful interference, and (2) this device must accept any interference received, including interference that may cause undesired operation.

Warning: Changes or modifications not expressly approved by the party responsible for compliance could void the user's authority to operate the equipment.

Note: This equipment has been tested and found to comply with the limits for a Class B digital device, pursuant to part 15 of the FCC Rules. These limits are designed to provide reasonable protection against harmful interference in a residential installation. This equipment generates, uses and can radiate radio frequency energy and, if not installed and used in accordance with the instructions, may cause harmful interference to radio communications. However, there is no guarantee that interference will not occur in a particular installation. If this equipment does cause harmful interference to radio or television reception, which can be determined by turning the equipment off and on, the user is encouraged to try to correct the interference by one or more of the following measures:

- Reorient or relocate the receiving antenna.
- Increase the separation between the equipment and receiver.
- Connect the equipment into an outlet on a circuit different from that to which the receiver is connected.
- Consult the dealer or an experienced radio/TV technician for help.

FCC RADIATION EXPOSURE STATEMENT

The device has been evaluated to meet general RF exposure requirement. The device can be used in portable exposure condition without restriction.

SARINA

Sarina herself guarantees the quality of this product. For questions or comments, please feel free to contact us via email at support@dgjusa.com

Distributed by DGL Group, Ltd. Edison NJ 08817.