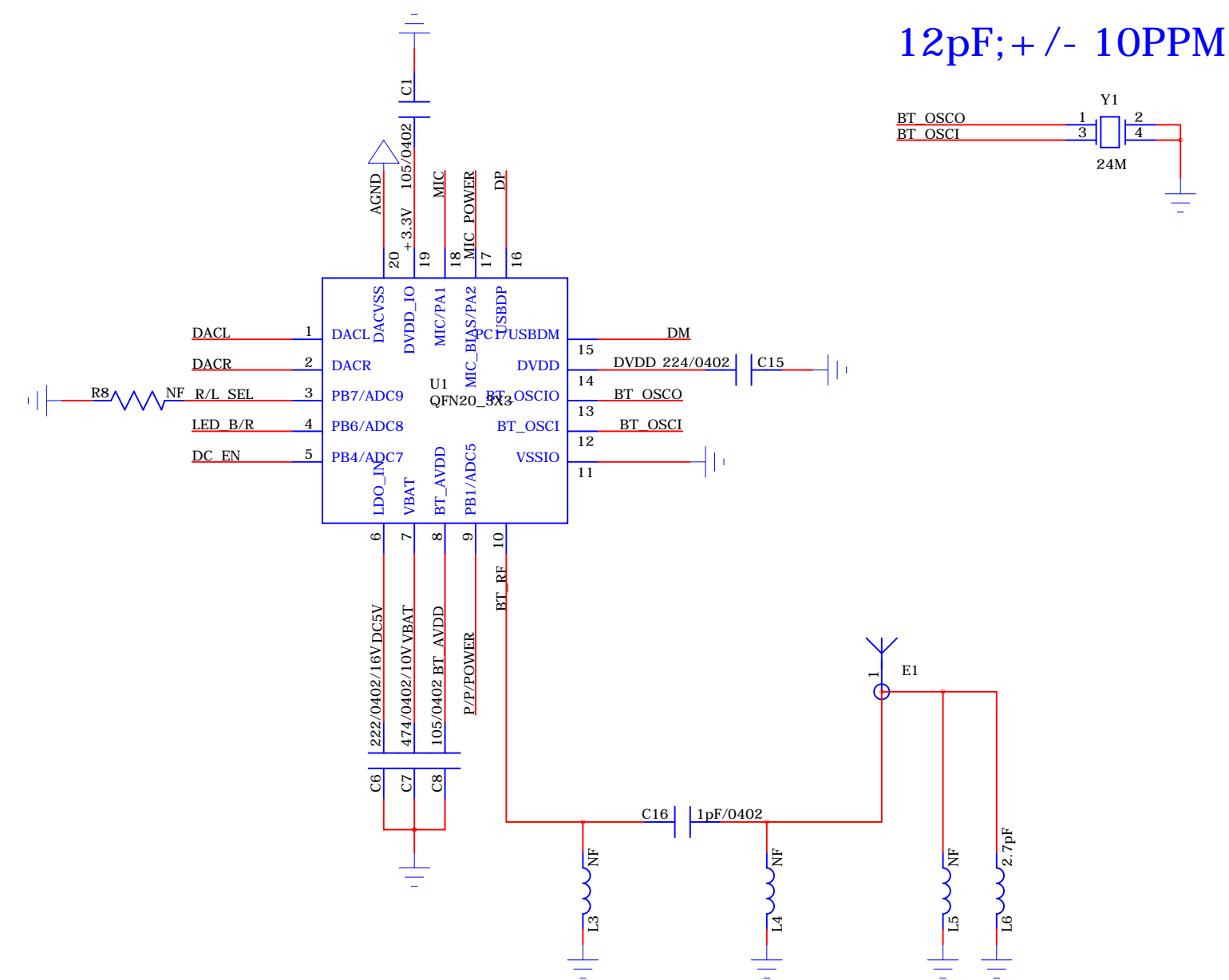


REVISION RECORD			
LTR	ECO NO:	APPROVED	DATE:

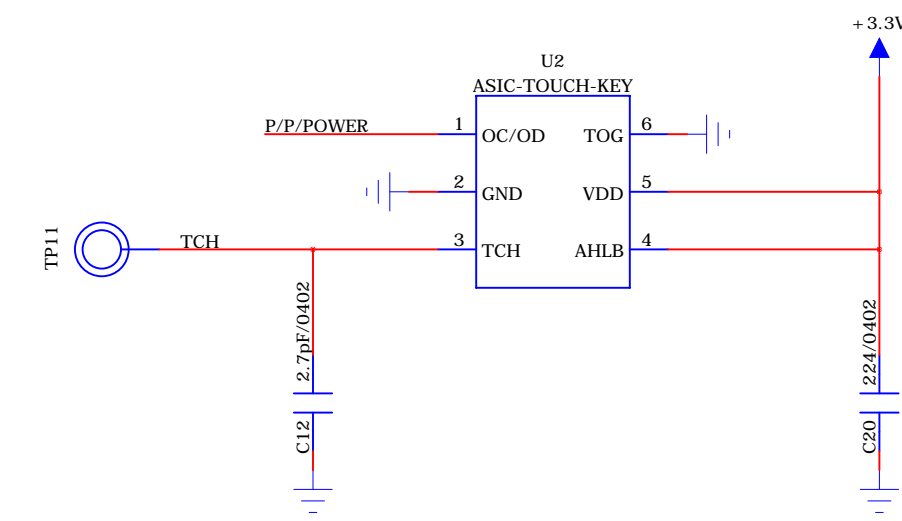
# MCU AC6963A

Support AC6956A4

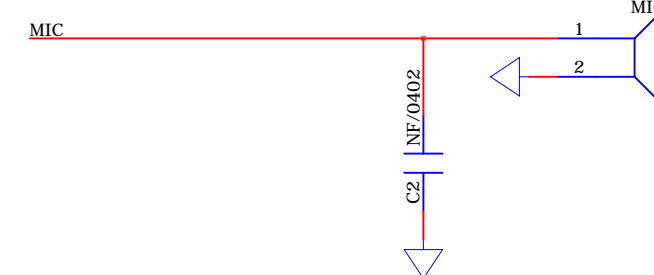
AC6963A AC6966A Pin PB4 PC3 PC4 DM DP, Can not power



# KEY

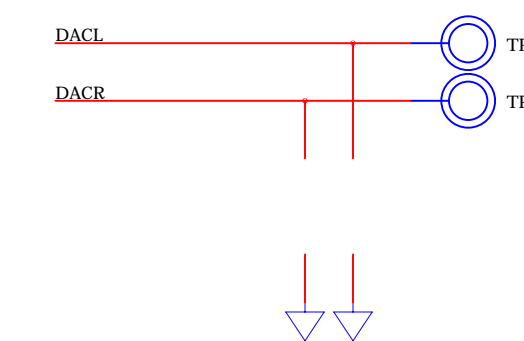
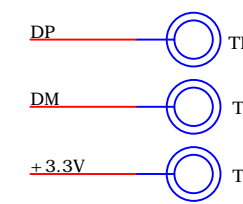
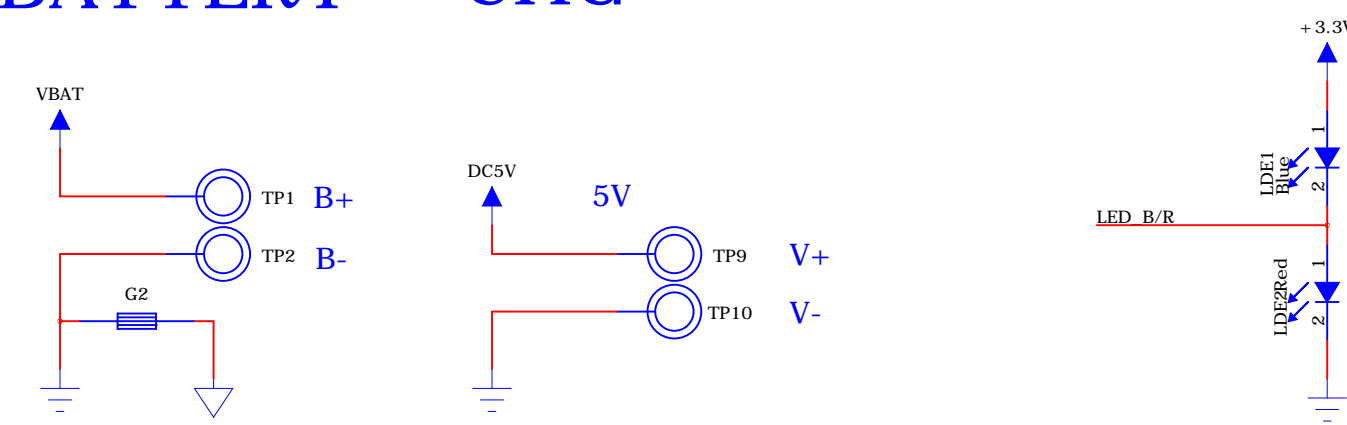


# AUDIO



# CHARGE/LED

## BATTERY CHG



DRAWN:		DATED:		COMPANY:			
CHECKED:		DATED:		TITLE: AC6963A_SCH			
QUALITY CONTROL:		DATED:		CODE: <Code>	SIZE: D	DRAWING NO:	REV: D
RELEASED:		DATED:		SCALE: <Scale>		SHEET 1	OF 1