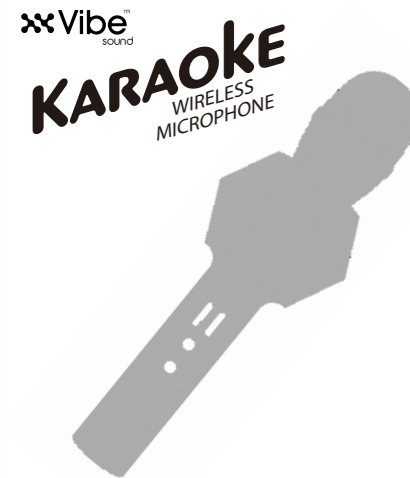
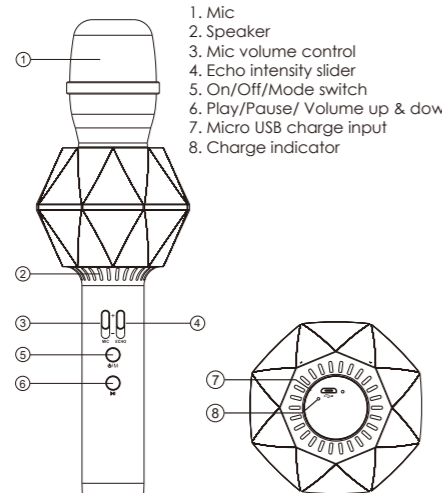


509.3 x 73mm



Operation Manual FB-KRK4

PRODUCT DIAGRAMS



- 1. Mic
- 2. Speaker
- 3. Mic volume control
- 4. Echo intensity slider
- 5. On/Off/Mode switch
- 6. Play/Pause/ Volume up & down
- 7. Micro USB charge input
- 8. Charge indicator

MICROPHONE CONTROLS



- Power on: Long press 2sec
- Power off: Long press 2sec
- When powered on 1 (One) short press will half mute speaker output
- Click to enter FM Mode



- Short press to pause/play
- Press three times to volume up, press twice to volume down

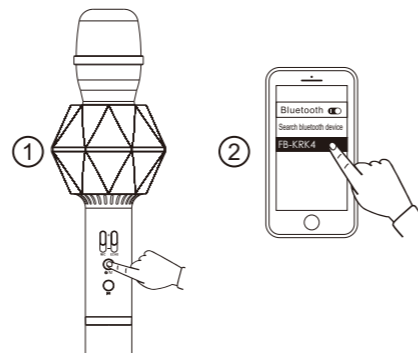
CHARGING THE MICROPHONE

- Connect your microphone using the included wire to any regular USB-A port to charge (Wall plug recommended)
- Indicator will light up red when charging and turn off when battery is full charged



CONNECTING BLUETOOTH

1. Press and hold the power on button for 2sec to power on, device will chime to indicate it is in pairing mode
2. Activate Bluetooth on your chosen device and locate "FB-KRK4" and collect to pair. Microphone will chime when pairing is successful
3. Once paired, microphone will automatically reconnect when powered on again



SAFETY GUIDELINES

- Please read the instruction carefully before use and keep them for reference.
- Keep in a cool dry place, keep the microphone away from heat and open fire.
- Be sure to hold onto the aluminum handle tightly
- Do not attempt to repair the speaker
- Do not attempt to use the speaker with AC input, be sure the device is unplugged from power and charged before each use.

USE IN DRY LOCATIONS ONLY
FOR INDOOR USE ONLY

TROUBLESHOOTING

- When microphone dings during use, battery is low. Turn device off and charge as soon as possible
- If Bluetooth will not connect, turn off microphone and bluetooth on your device and be sure to connect in range

INTERNAL BATTERY CARE

- Be sure to charge the microphone fully, before use.
- Do not overcharge - Charging takes 2-3 hours, overcharging may severely affect battery life.
- Speaker may lose charge if not used for a long period.
- Only use included cable for charging this device.
- Indicator light will turn red when charging and turn off when fully charged.

FCC STATEMENT

NOTE: This equipment has been tested and found to comply with the limits for a Class B digital device, pursuant to part 15 of the FCC Rules. These limits are designed to provide reasonable protection against harmful interference in a residential installation. This equipment generates use and can radiate radio frequency energy and, if not installed and used in accordance with the instructions, may cause harmful interference to radio communications. However, there is no guarantee that interference will not occur in a particular installation. If this equipment does cause harmful interference to radio or television reception, which can be determined by turning the equipment off and on, the user is encouraged to try to correct the interference by one or more of the following measures:

- Reorient or relocate the receiving antenna.
- Increase the separation between the equipment and receiver.
- Connect the equipment into an outlet on a circuit different from that to which the receiver is connected.
- Consult the dealer or an experienced radio/TV technician for help

Changes or modifications not expressly approved by the party responsible for compliance could void the user's authority to operate the equipment.

This device complies with Part 15 of the FCC Rules. Operation is subject to the following two conditions: (1) this device may not cause harmful interference, and (2) this device must accept any interference received, including interference that may cause undesired operation.

FCC RADIATION EXPOSURE STATEMENT

This equipment complies with FCC radiation exposure limits set forth for an uncontrolled environment.

CONTENTS

- Karaoke microphone
- Micro USB charging cable
- User manual

SPECIFICATIONS

- Speaker Output: 3W
- Speaker Size: 52mm 4Ω 3W
- Play Time: 2-3 Hours
- Charging Time: 3 Hours
- Battery Capacity: 600mAh/3.7V
- Charging Interface: Micro USB 5V/1A
- *Charge cable included
- Bluetooth range: 10m(No barrier)
- Operating frequency: 2.402G-2.480GHz
- Transmit power: 4db
- Receiving sensitivity: -85db
- Signal-noise ratio: ≥ 80db
- Distortion: ≤ 3%
- Frequency range: 100Hz-18KHz
- FCC ID: 2AANZKRK4FB
- BT ID: D059694

Company name: DGL Group, LTD.
Address: 2045 Lincoln Highway, Edison, NJ, 08817, USA.
www.dglusa.com
Tracking number: DG082523



Vibe guarantees the quality of this product.
For questions or comments, please feel free to contact us via email at support@dglusa.com

Distributed by DGL Group, Ltd. Edison NJ 08817.