

# IDOL

## Original Instruction



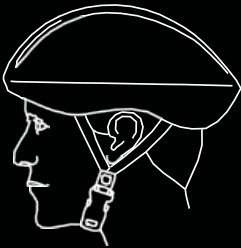
EU-UK-IDL



Read Operator's Manual

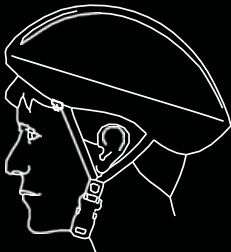
# HELMETS SAVE LIVES!

Always wear a properly fitted helmet that complies with CPSC or CE safety standards when you ride your scooter.



**Correct Fitting:**

Make sure your helmet covers your forehead.



**Incorrect Fitting:**

Forehead is exposed and vulnerable to serious injury.

## WARNING

As with all mechanical components, the Hover-1 Idol is subjected to wear and high stresses. Different materials and components may react to wear or fatigue in different ways. If the design life of a component has been exceeded, it may suddenly fail possibly causing injuries to the rider. Any form of crack, scratch or change of coloring in highly stressed areas indicate that the life of the component has been reached and it should be replaced. Do not ride in an abusive manner.

## CAUTION

In this manual, the CAUTION sign indicates a hazardous situation which, if not avoided, can cause minor or moderate injury.

## WARNING

In this manual, the WARNING sign indicates a hazardous situation which, if not avoided, can cause death or serious injury.

## WARNING

Great care should be taken with the Hover-1 Idol when folding or unfolding. If you do not understand how to operate the levers, please visit [www.Hover-1.eu](http://www.Hover-1.eu)

**DO NOT RIDE YOUR HOVER-1 IDOL WITHOUT ALL RELEASES SECURELY LOCKED.**

# **WARNING!**

## **PLEASE READ THE USER MANUAL THOROUGHLY.**

**Failure to follow the basic instructions and safety precautions listed in the user manual can lead to damage to your device, other property damage, serious bodily injury, and even death.**

Thank you for purchasing the Hover-1 Idol. Please read all instructions carefully before using and retain this manual for future use and reference.

This manual applies to the Hover-1 Idol.

- In order to avoid dangers that are caused by collisions, falls, and loss of control, please learn how to ride the Idol safely.
- You can learn operating skills by reading the product manual and watching videos.
- This manual includes operating instructions and precautions. Users must read it carefully and follow the instructions.
- All users are responsible for any consequences caused by violating warning contents or prompt operations. Hover-1 can not be held liable.

### **ATTENTION**

1. Use only the supplied charger with this scooter.

Charger Manufacturer: SHENZHEN FUYUANDIAN POWER Co., LTD

Model: FY0474201000B

The battery charger FY0474201000B is only to be used with the E-Scooter EU-UK-IDL.

If the power supply cord of the charger is damaged, in order to avoid hazards, it must be replaced by Hover-1 only or one of Hover-1's service agents.

2. The operating temperature range of the charger is 32– 104° F (0 – 40° C).
3. The operating temperature range of the E-Scooter is 32 – 104° F (0 – 40° C).
4. Do not ride on icy or slippery surfaces
5. Read the operation manual and warning labels before riding.
6. Store the Idol in a dry, ventilated environment.
7. When transporting the Idol, avoid violent crashes or impact.

## **LOW TEMPERATURE WARNING**

Low temperature will affect the lubrication of moving parts inside the Idol, increasing internal resistance. At the same time, in low temperatures, the discharge capacity and the capacity itself of the battery will be significantly decreased.

Use caution when riding the Idol in cold temperatures (below 40 degrees F).

Doing so may increase the risk of mechanical failures of the scooter, which may lead to damage to your device, other property damage, serious bodily injury and even death.

## **SAFETY INSTRUCTIONS**

- Keep the device away from heat sources, direct sunlight, humidity, water and any other liquids.
- Do not operate the device if it has been exposed to water, moisture or any other liquids to prevent against electric shock, explosion and/or injury to yourself and damage to the device.
- Do not use the device if it has been dropped or damaged in any way.
- Repairs to electrical equipment should only be performed by the manufacturer. Improper repair voids the warranty and may place the user at serious risk.
- Do not puncture or harm the exterior surface of the product in any way.
- Keep the device free from dust, lint, etc.
- Do not use this device for anything other than its intended use or purpose. Doing so may damage the device or lead to property damage, injury or death.
- This product is not a toy. Keep out of reach of children.
- Do not expose batteries, battery pack, or batteries installed to excessive heat, such as direct sunlight, or open flame.
- Do not allow hands, feet, hair, body parts, clothing or similar articles to come in contact with moving parts, wheels or drive-train, while the Idol is running.
- Do not operate, or allow others to operate, the Hover-1 Idol, until the user understands all instructions, warnings and safety features described in this manual.
- Check with your doctor if you have a medical condition that could

affect your ability to use the Hover-1 Idol.

- Persons with head, back or neck ailments or prior surgeries to those areas of the body are not recommended to use this Hover-1 Idol.
- Do not operate if you are pregnant, have a heart condition, or have both.
- Persons with any mental or physical conditions that may make them susceptible to injury or impair their physical or mental capabilities to recognize, understand and perform all of the safety instructions and to be able to assume the hazards inherent in unit use, should not use the Hover-1 Idol.
- This appliance contains batteries that are not replaceable.
- It's advised to use at least the following protective equipment: hand/wrist, head, knee and elbow protection.
- The Hover-1 Idol can be used by children aged of 15 years old and above and persons with reduced physical, sensory or mental capabilities or lack of experience and knowledge if they have been given supervision or instruction concerning use of the Hover-1 Idol in a safe way and understand the hazards involved. Children shall not play with the Hover-1 Idol. Cleaning and user maintenance shall not be made by children without supervision.



## NOTES:

In this manual, the above symbol with the word "NOTES" indicates instructions or relevant facts the user should remember prior to using the device.



## CAUTION!

In this manual, the above symbol with the word "CAUTION" indicates a hazardous situation which, if not avoided, can cause minor or moderate injury.



## WARNING!

In this manual, the above symbol with the word "WARNING" indicates a hazardous situation which, if not avoided, can cause death or serious injury.

## SERIAL NUMBER

Please keep the serial number on file for warranty claims as well as proof of purchase.



## WARNING!

WARNING: Prolonged exposure to UV rays, rain and the elements may damage the enclosure materials. Store indoors when not in use.

# INTRODUCTION

This manual is designed to give you the information you need for the safe operation and maintenance of your new Idol scooter. Please read it thoroughly before riding your Idol.

## WARNING

Make sure you read this complete manual before riding your Hover-1 Idol. Failure to do so, or failure to follow its guidelines could lead to serious injury or death.

The Idol is a personal transporter. Our technology and production processes are developed with strict testing for each Idol scooter. Operating the Idol without following the contents of this manual may lead to damage to your Idol scooter, or bodily injury.

### **PACKAGE CONTENTS**

- Hover-1 Idol Electric Folding Scooter
- Wall Charger
- Operation Manual

Your Hover-1 Idol's serial number is stamped respectively on the bottom of the platform. Record the serial number in the designated area of the "WARRANTY" section of this manual in the event that your Hover-1 Idol is lost or stolen.

# SAFETY PRECAUTIONS

- The first rule in safe riding is to use common sense.
- Different localities and countries have different laws governing riding electric transportation devices on public roads.
- You should check with local officials to ensure you are complying with local traffic law requirements.
- Hover-1 is not liable for tickets or violations given to riders who do not follow local laws and regulations.
- For your safety, always wear a helmet that meets CPSC or CE safety standards. In the event of an accident, a helmet can protect you from serious injury and in some cases, even death.

- Obey all local traffic laws. Obey red and green lights, one-way streets, stop signs, pedestrian crosswalks, etc.
- Ride with the traffic, not against it.
- Ride defensively; expect the unexpected.
- Give pedestrians the right-of-way.
- Do not ride too close to pedestrians and alert them if you intend to pass them from behind.
- Slow down at all street intersections and look to the left and right before crossing.

Your Idol electric folding scooter is not equipped with reflectors. It is not recommended that you ride in conditions of low visibility.

If you are riding your scooter in low-visibility conditions, ensure your LED light is turned on, and that you are wearing bright, reflective clothing.

## **WARNING**

When you ride in low-visibility conditions such as fog, dusk, or night, you might be difficult to see, which could lead to a collision. To increase your level of safety, be sure wear bright, reflective clothing when riding in poor lighting conditions.

Think about safety when you ride. You can prevent many accidents if you think about safety. Below is a helpful checklist for riders.

### **SAFETY CHECKLIST**

- Do not ride above your skill level. Ensure you have had enough practice with all functions and features of your Idol.
- Do not ride too fast – with increased speed comes increased risk. If you are moving at a higher speed, small bumps can turn into large impacts, leading to a higher risk of injury if an accident occurs.
- Do not ride with pets.
- Before stepping on your Idol, make sure it is placed flat on level ground and the power is on.



- Do not try to open or modify your Idol scooter. Doing so, voids the manufacturer warranty and may cause your Idol to fail, resulting in injury or death.
- Do not use the Idol in a manner that would put people or property in danger.
- If you and your friend(s) are riding Idol scooters together, be sure to keep a safe distance between each other to prevent collisions, property damage, serious injuries or even death.
- Be sure to keep your feet on the scooter at all times. Moving your feet off your scooter while driving is dangerous and may cause the scooter to stop or veer sideways.
- Do not operate the Idol while under the influence of drugs and/or alcohol.
- Do not operate the Idol when you are restless or sleepy.
- Use your best judgment to keep yourself out of dangerous situations with your Idol.
- Do not ride your Idol scooter off of curbs, ramps, or attempt to operate in a skate park, empty pool, or in any way similar to a skateboard. Misuse of your Idol, voids the manufacturer warranty and may lead to injury or damage.
- Do not abuse your Idol, doing so can damage your unit and cause failure to the operating system which may lead to injury. Physical abuse, including dropping your Idol scooter, voids the manufacturer warranty.
- Do not operate in or near puddles of water, mud, sand, stones, gravel, debris or near rough and rugged terrain.
- The Idol can be used on paved surfaces that are flat and even. If you encounter uneven pavement, please lift your Idol scooter over and past the obstruction.
- Do not ride in inclement weather: snow, rain, hail, sleet, on icy roads or in extreme heat or cold.
- Bend your knees when riding on bumpy or uneven pavement to absorb the shock and vibration and help you keep your balance.
- If you are unsure if you can safely ride on a specific terrain, step off and carry your Idol. ALWAYS BE ON THE SIDE OF CAUTION.
- Do not attempt to ride over bumps or objects greater than ½ in. even when prepared and bending your knees.

## WARNING

Proper use of your brake is vital to ensure safe, efficient stopping. To avoid misuse and potential injury, do not apply sudden or excessive force to your brakes. Apply your brakes gradually and give yourself enough room to come to a complete stop safely.

- PAY ATTENTION - look at where you are riding and be conscious of the road conditions, people, places, property and objects around you.
- Do not operate the Idol scooter in crowded areas.
- Operate your Idol scooter with extreme caution when indoors, especially around people, property, and narrow spaces.
- Do not operate the Idol while talking, texting, or looking at your phone.
- Do not ride your Idol scooter where it is not permitted.
- Do not ride your Idol near motor vehicles or on public roads.
- Do not travel up or down steep hills.
- The Idol is intended for use by a single individual. DO NOT attempt to operate the Idol with two or more people.
- Do not carry anything while riding the Idol scooter.
- Individuals with lack of balance should not attempt to operate the Idol scooter.
- Pregnant women should not operate the Idol scooter.
- Young children and the elderly should not operate the Idol.
- At higher speeds, always take into consideration longer stopping distances.
- Do not attempt to jump on or off your Idol scooter.
- Do not attempt any stunts or tricks with your Idol scooter.
- Do not ride the Idol in dark or poorly lit areas.
- Do not ride the Idol near or over potholes, cracks or uneven pavement or surfaces.
- Do not operate your Idol scooter off-road.
- Do not turn sharply, especially at high speeds.

## WARNING

When you ride in low-visibility conditions such as fog, dusk, or night, you might be difficult to see, which could lead to a collision. In addition wear bright, reflective clothing when riding in poor lighting conditions.

- Do not exceed the maximum or minimum weight limits.
- Avoid driving the Idol in unsafe places, including near areas with flammable gas, steam, liquid, dust, fiber, which could cause fire and explosion accidents.
- Do not operate near swimming pools or other bodies of water.
- When leaving the scooter unattended, be sure to lock it to avoid use by others causing harm to themselves and damage to or theft of the scooter.
- Any load attached to the handlebar will affect the stability of the vehicle.
- Traffic in the city has many obstacles to cross such as curbs or steps. It is recommended to avoid obstacle jumps. It is important to anticipate and adapt your trajectory and speed to those of a pedestrian before crossing these obstacles. It is also recommended to get out of the vehicle when these obstacles become dangerous due to their shape, height or slippage.
- In any case, anticipate your trajectory and your speed while respecting the code of the road, the code of the sidewalk and the most vulnerable. Cross the protected passages while walking.
- Eliminate any sharp edges caused by use.
- In all cases, take care of yourself and others.
- Do not divert the use of the vehicle.
- Caution, the brake may become hot in use. Do not touch after use.
- Accessories and any additional items which are not approved by the manufacturer shall not be used.
- Get closer to your seller so he can refer you to an appropriate training organization;
- The self-tightening nuts as well as the other self-tightening fastenings may lose their efficiency and that they may need to be retightened

- Keep safe braking distances during wet weather.
- The parking device kickstand shall be engage when vehicle is not on use.
- It's strictly forbidden for users themselves to replace any friction components or wear parts.
- Considering security, it's necessary to use a lock-up when not in use to avoid non-authorized use and to avoid others to misuse it and get hurt.
- When comfortable riding the scooter, power it on, You must first kick off the ground and then press the throttle for the motor to start. A minimum speed of 1.8mph(3km/h) must be reached before you can use the throttle to slow down the scooter, press the electric brake.

**WARNING!** As with any mechanical component, a vehicle is subject to high stresses and wear. The various materials and components may react differently to wear or fatigue. If the expected service life for a component has been exceeded, it may break suddenly, therefore risking causing injuries to the user. Cracks, scratches and discoloration in the areas subject to high stresses indicate that the component has exceeded its service life and should be replaced.

**WARNING:** Keep plastic covering away from children to avoid suffocation.

## **WARNING**

There may be additional risk to injury if you use your scooter incorrectly. This includes, but is not limited to:

- Jumping your scooter
- Riding over debris or obstacles
- Performing stunts
- Riding in off-road terrain
- Riding fast
- Racing other riders
- Riding in unusual manner

The aforementioned examples add stress to each part of your scooter and can lead to long term damage of the device. Damage to your scooter can lead to an accident or increase your risk of injury. To decrease your risk of injury, use your scooter correctly.

## WARNING

To reduce the risk of injury, adult supervision is required. Never use in roadways, near motor vehicles, on or near steep inclines or steps, swimming pools or other bodies of water; always wear shoes, and never allow more than one rider.

## CARE & MAINTENANCE

- Do not expose the device to liquid, moisture, or humidity to avoid damage to the product's internal circuitry.
- Do not use abrasive cleaning solvents to clean the device.
- Do not expose the device to extremely high or low temperatures as this will shorten the life of the electronic device, destroy the battery, and/or distort certain plastic parts.
- Do not dispose of the device in fire as it may explode or combust.
- Do not expose the device to contact with sharp objects as this will cause scratches and damage.
- Do not let the device fall from high places, as doing so may damage the internal circuitry.
- Do not attempt to disassemble the device.
- Use only the charger provided by Hover-1.

## WARNING

Avoid using water or other liquids for cleaning. If water or other liquids enter the Idol, it will cause permanent damage to the internal components.

## WARNING

Users who disassemble the Idol scooter without permission will void the warranty.

# BATTERY CARE / MAINTENANCE

## BATTERY SPECIFICATIONS

Battery Type: Rechargeable Lithium-ion battery

Charge Time: Up to 5 hours

Battery Voltage: 3.6V

Battery Capacity: 4 Ah

Working Temperature: 32°F - 104°F

Charging Temperature: 32°F - 104°F

Storage Time: 1 year

Storage Temperature: -4°F - 104°F

Storage Humidity: 5% - 95%

## BATTERY MAINTENANCE

The lithium-ion battery is built into the device. Do not disassemble the device to remove the battery or attempt to separate it from the device.

- When charging the device, please use the enclosed 1-pin charging cable or otherwise ensure that the battery charging conditions are met.
- Do not connect or attach the device or the battery to a power supply plug or directly to a car's cigarette lighter.
- Do not place the device or batteries near a fire, or into direct sunlight. Heating the device and/or the battery can cause additional heating, breaking, or ignition of the battery inside the device.
- Do not continue charging the battery if it does not recharge within the specified charging time. Doing so may cause the battery to become hot, rupture, or ignite.

To preserve natural resources, please recycle or dispose of batteries properly. This product contains lithium-ion batteries. Local, state, or federal laws may prohibit disposal of lithium-ion batteries in ordinary trash. Consult your local waste authority for information regarding available recycling and/or disposal options.

## WARNING

Failure to follow the safety precautions listed below could lead to serious bodily injury and/or death.

- Do not attempt to modify, change, or replace your battery.
- Do not use your device if the battery begins to emit odor, overheats, or begins to leak.
- Do not touch any leaking materials or breathe fumes emitted.
- Do not allow children and animals to touch the battery.
- The battery contains dangerous substances, do not open the battery, or insert anything into the battery.
- Please only use the charger provided by Hover-1.
- Do not attempt to charge the device if the battery has discharge or emits any substances. In that case, immediately distance yourself from the battery in case of fire or explosion.
- Lithium-ion batteries are considered to be hazardous materials. Please follow all local, state and federal laws in regards to recycling, handling and disposing of Lithium-ion batteries.
- This battery charger can be used by children aged from 15 years and above and persons with reduced physical, sensory or mental capabilities or lack of experience and knowledge if they have been given supervision or instruction concerning use of the appliance in a safe way and understand the hazards involved. Children shall not play with the appliance. Cleaning and user maintenance shall not be made by children without supervision.

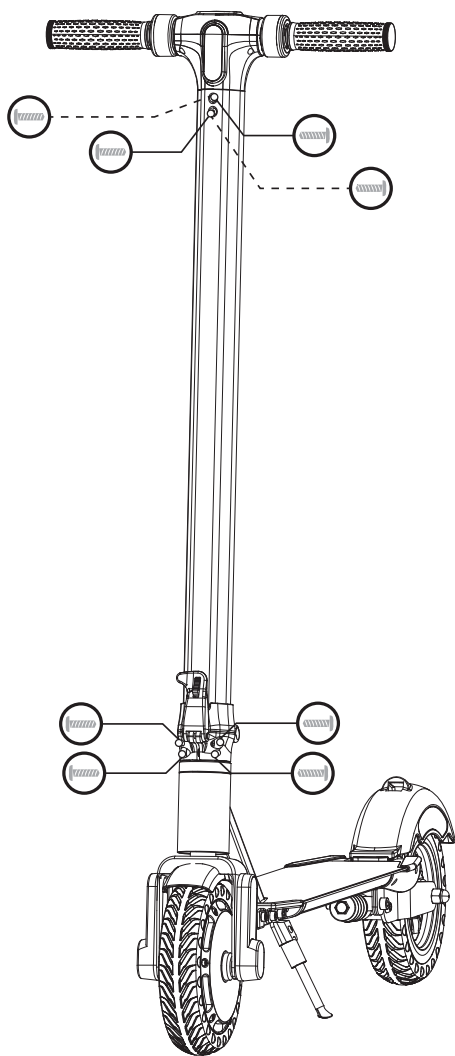
Warning: This battery charger can't recharging non-rechargeable batteries.

During charging, the battery must be placed in a well-ventilated area.

## **WARNING**

SEEK IMMEDIATE MEDICAL ASSISTANCE IF YOU ARE EXPOSED TO ANY SUBSTANCE THAT IS EMITTED FROM THE BATTERY.

- Check the screws indicated in below diagram every 3 months. If detect any losing part, re-tighten using the wrench provided.





# SPECIFICATIONS

Model:	EU-UK-IDL
Net Weight:	11.65 kg (25.5 lbs)
Max Supported Weight:	120 kg (264 lbs)
Min Supported Weight:	20 kg (44 lbs)
Max Speed:	Up to 15 mph (24km/h)
Max Distance Range:	Up to 6 miles (10 km)
Maximum Continuous Rated Power:	350W
Battery Type:	Lithium-ion
Motor Power:	350W Brushless Motor
Battery Voltage:	36 V
Battery Capacity:	4.0 Ah
Power Requirement:	AC 100-240V, 50/60 Hz
Folding Size:	(40.8 in. x 16.15in. x 16.7in.) (103.8cm x 41 cm x 42.5 cm)
Open Size:	(40.8 in. x 16.15 in. x 46.3in.) (103.8 cm x 41cm x 117.6 cm)
Tire Type:	Non-Pneumatic Solid Tires
Tire Size:	8" Front & Rear
Brake Type:	Electronic & Mechanical Brakes
Vibrations not exceed:	Not exceed 2.5 m/s <sup>2</sup> .
LpA and LWA:	Do not exceed 70 dB(A).
Radio frequency:	2402MHz-2480MHz
Transmitting power:	1 dBm
BT ID:	D051448
FCC ID:	2AANZIDL20C

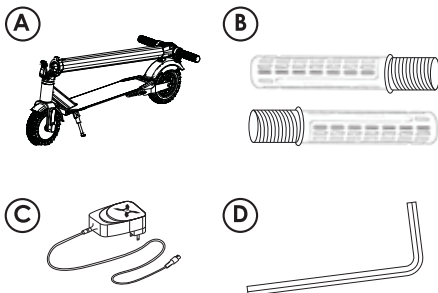
# PARTS LIST

**A.** Scooter

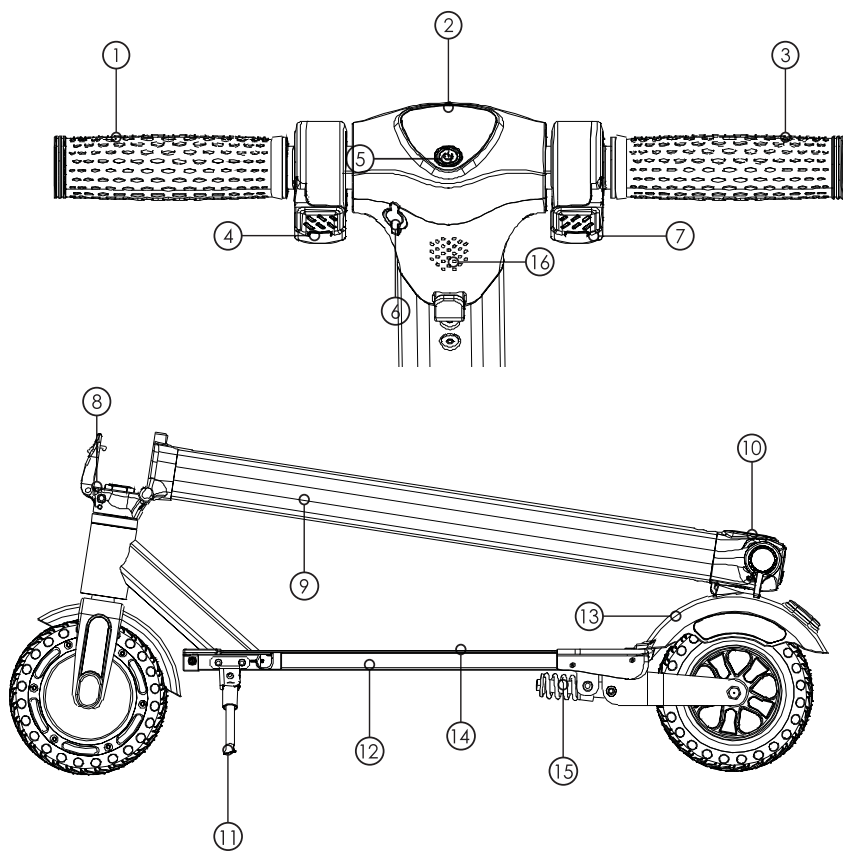
**B.** Handle Bars

**C.** Wall Charger

**D.** Allen Wrench



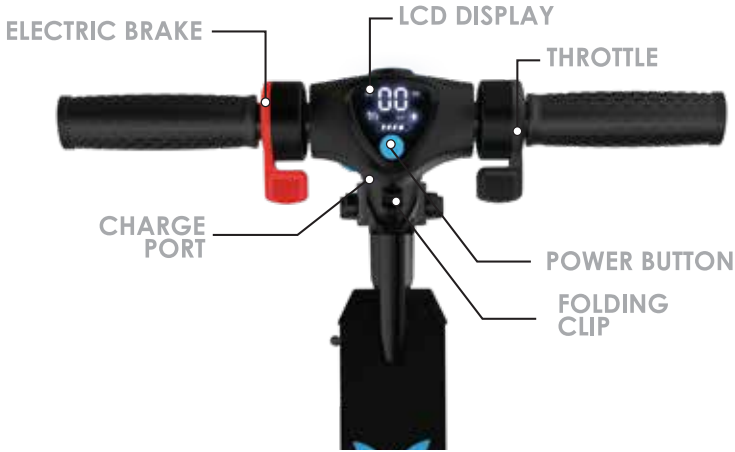
# HOVER-1 IDOL DIAGRAM



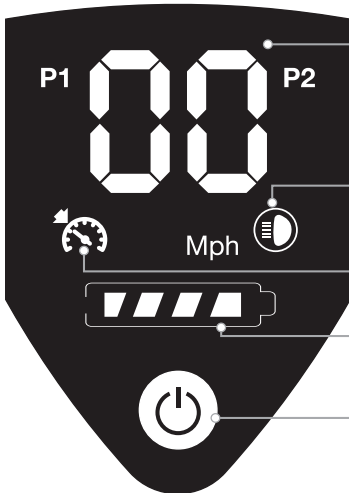
## FEATURES/PARTS

- |                          |                           |
|--------------------------|---------------------------|
| 1. Handlebars(L)         | 8. Release Lever          |
| 2. LCD Display           | 9. Aluminum Frame         |
| 3. Handlebars(R)         | 10. LED Light             |
| 4. Electric Brake        | 11. Kickstand             |
| 5. Power/Function Button | 12. Deck Light            |
| 6. Charging Port         | 13. Mechanical Brake      |
| 7. Throttle              | 14. Foot Pad              |
|                          | 15. Rear Shock Absorption |
|                          | 16. BT Speaker            |

# HOVER-1 IDOL DIAGRAM



## LCD DISPLAY



### SPEEDOMETER

Displays your current speed in Mph.

Displays the current speed Level:  
Ensure it is powered on, press once to switch high speed / low speed mode:

P1 - Low speed mode

P2 - High speed mode

Under low speed mode, the max speed is 9mph, under high speed mode, the max speed is 15mph.

### HEADLIGHT ICON

Indicates the headlight is activated.

### CRUISE CONTROL ICON

Indicates the cruise control is activated.

### BATTERY INDICATOR

Displays your current battery life.

### POWER/ FUNCTION BUTTON

Press and hold 3 seconds to power ON.  
Once the scooter display is on, Press twice to turn on lights, then press twice to turn off lights.

# BLUETOOTH SPEAKER

The scooter has a powerful built-in wireless speaker so you can play your music while riding.

## PAIRING THE SPEAKER

- 1) Turn on your scooter, and the speaker will "Ping" to announce that it's waiting for a Bluetooth® connection. This will indicate your scooter speaker is now in pairing mode.
- 2) Place the scooter and the Bluetooth® device to which you would like to pair it within the operating distance. We recommend keeping the two devices no further than 3 feet apart during pairing.
- 3) Ensure Bluetooth® is enabled on your phone or music device. Refer to manufacturer's instructions for how to enable Bluetooth® on your device.
- 4) Once you have activated Bluetooth® on your device, select the option "EU-UK-IDL" from the list of available Bluetooth® devices.
- 5) If required, enter the PIN code "000000" and confirm the entry.
- 6) The scooter will say "Paired" when successfully paired.
- 7) Please note, pairing mode on the scooter will last for two minutes. If no devices are paired after two minutes, the scooter speaker will automatically return to standby mode.
- 8) If pairing is unsuccessful, turn off the scooter first and re-pair following the aforementioned steps.
- 9) If your smart phone is out of range, or the battery is low on your scooter, your speaker may disconnect from your smart device, and the hoverboard will say "Disconnected." To reconnect, follow the aforementioned steps, or recharge your scooter.

NOTE: Once you have paired the scooter speaker with a device, the speaker will remember this device and will pair automatically when the device's Bluetooth® is activated and in range. You do not need to re-pair any previously connected devices.

Your scooter can pair up to two multi-point devices. You can reconnect a previously paired device without going through the pairing or PIN process on up to two devices.

## LISTENING TO MUSIC

Once the Bluetooth speaker is paired to your device, you can stream music wirelessly through it. Select the track you wish to listen to on your device to listen via the speaker. All volume and track controls will be made using your music device. Should you encounter any problems while streaming, please refer to your device's user manual.

# CHARGING YOUR IDOL

## CHARGING THE DEVICE

- Ensure that the charging port is clean and dry.
- Make sure that there is no dust, debris or dirt inside the port.
- Plug the charger into a grounded wall outlet.
- Connect the cable with the power supply (100V ~ 240V; 50/60 Hz).
- Align and connect the 1-pin charging cable into the charging port of the Idol Scooter.

(DO NOT FORCE OR BEND THE CHARGING CABLE AS IT MAY CAUSE THE PRONGS TO BEND OR BREAK.)

- The charging indicator light on the charger itself should change to RED, indicating that your device is now being charged.
- When the RED indicator light on your charger turns to GREEN, then your device is fully charged.
- After fully charging your Idol Scooter, unplug the charger from your device and from the power outlet.
- Power off your Idol Scooter when charging.

### CAUTION

Only use the included charging cable and charger to charge your Hover-1 Idol. Using any other unauthorized charger may damage your Hover-1 Idol.

### WARNING

Any Idol that does not work properly can cause you to lose control and fall. Inspect the entire device thoroughly before every ride, and do not ride it until any problems have been corrected.

# PREPARING YOUR SCOOTER

PLEASE READ THE FOLLOWING INSTRUCTIONS CAREFULLY

## ATTACHING THE HANDLEBARS

Attach the handle bars by placing them into the appropriate sockets and twisting them in the correct direction.



**NOTE:** If the handlebars do not attach flush to the frame, you may need to shift the location of your throttle and brake assembly appropriately. Tighten or loosen the throttle and brake assembly with the included hex key and make sure they are NOT touching or blocking your handlebars.

## PINCH POINTS

Some parts of your Hover-1 Idol can injure you if mishandled. Moving and folding parts can cut skin. Clamps and pivoting parts such as brake levers can pinch. When folding and unfolding your Hover-1 Idol, Please watch for pinch points where possible injury may be sustained. Do not leave your hand in these areas during folding or unfolding.



# FOLDING & UNFOLDING

## FOLDING & UNFOLDING YOUR IDOL SCOOTER.

To unfold your Idol, press the blue button on the release lever and pull the lever. Lower the steering column into the folded position. Press the folding clip into the top of the foot brake until you hear a click. Press the foot brake to release the folding hinge. Always make sure the lever is secure before riding your Idol scooter.



PRESS THE RELEASE LEVER  
BUTTON TO UNLOCK AND  
PULL THE LEVER

# HIGH SPEED MODE

To active high speed mode, ensure the Idol is powered on and not in motion. Press the power button once, the high speed mode indicator should light up on your display to indicate it is activated.

# CRUISE CONTROL

To activate cruise control, you must press the throttle twice when you are at a constant speed above 3 mph. For example, if you want to activate cruise control at 10 mph, press the throttle twice at 10 mph. You will hear a beep and the cruise control indicator will light up on the LCD display indicating that it is activated.

# BEFORE RIDING

## WARNING

Any Idol Scooter that does not work properly can cause you to lose control and fall. Do not ride an Idol with a part that is damaged; replace the damaged part before riding.

It is important that you fully understand all elements of your Idol scooter. If these elements are not used correctly, you will not have full control of your Idol. Before you ride, learn the functions of the various mechanisms on your scooter.

Practice using these elements of your Idol at slower speeds in a flat, open area before taking the device out in public areas.

### **PRE-RIDE CHECKLIST**

Ensure that your Idol is in proper working order each and every time you ride. If a part of the Idol scooter does not function correctly, please contact our Customer Support Center.

- Ensure the battery is fully charged before riding your scooter.
- If the Idol scooter is not used for an extended period of time, you may need to recharge the battery every 2 months to maintain the battery life.
- Please wear all appropriate safety and protective gear as previously mentioned in the User Manual before operating your device.
- Make sure to wear comfortable clothes and flat closed-toe shoes when operating your device.
- Please carefully read the Operation Manual, which will assist in explaining the basic working principles and provide tips on how to best enjoy your experience.



# RIDING YOUR IDOL SCOOTER

**FAILURE TO FOLLOW ANY OF THE FOLLOWING SAFETY PRECAUTIONS CAN AND MAY LEAD TO DAMAGE TO YOUR DEVICE, VOID YOUR MANUFACTURER WARRANTY, LEAD TO PROPERTY DAMAGE, CAUSE SERIOUS BODILY INJURY, AND CAN LEAD TO DEATH.**

## **OPERATING YOUR DEVICE**

Make sure the device is fully charged before the first initial use. Before turning on your Idol scooter, ride it like a normal kick scooter to get comfortable with the device before using it with the motor.

When comfortable riding the scooter, power it on. For the motor to activate, you must first start riding the scooter and then push the throttle down with your thumb.

To slow down the scooter, push the electric brake down. This will stop the motor and slow you down. Also press the mechanical brake with your foot to manually slow down the scooter.

To turn, use the handlebar to turn in the direction you wish to turn.

The Idol scooter can be operated manually if you do not wish to use the motor.

As you get comfortable on the device, you will notice it becomes easier to maneuver. Remember at higher speeds, it is necessary to shift your weight to overcome the centrifugal force.

Prepare to brace yourself if you encounter bumps or uneven surfaces, then dismount and carry your Idol to a safe operating surface.



## **WARNING**

Do not turn sharply or at high speeds to avoid danger. Do not turn or ride quickly along slopes, as it may cause injury.

## WEIGHT AND SPEED LIMITATIONS

Speed and weight limits are set for your own safety. Please do not exceed the limits listed in the “Specifications” section of this manual.

### **WARNING**

Overweight exertion on the device may increase possibility of injury or product damage.

## OPERATING RANGE

The following are some of the major factors that will affect the operating range of your device.

- **Terrain:** Riding distance is highest when riding on a smooth, flat surface. Riding uphill and/or on rough terrain will reduce distance significantly.
- **Weight:** A lighter user will have further range than a heavier user.
- **Ambient temperature:** Please ride and store the device under recommended temperatures, which will increase driving distance; battery life, and overall performance of your device.
- **Speed and Riding Style:** Maintaining a moderate and consistent speed while riding produces maximum distance. Traveling at high speeds for extended periods, frequent starts and stops, idling and frequent acceleration or deceleration will decrease overall distance.

\*Do not attempt to stop suddenly as this may lead to injury or damage to your brake discs.

### **WARNING**

Proper use of your brake is vital to ensure safe, efficient stopping. To avoid misuse and potential injury, do not apply sudden or excessive force to your brake. Apply the brake gradually and give yourself enough room to come to a complete stop safely.

Please follow all local, state and federal laws in regards to recycling, handling and disposing of Lithium-ion Battery.

## **WARNING**

SEEK IMMEDIATE MEDICAL ASSISTANCE  
IF YOU ARE EXPOSED TO ANY  
SUBSTANCE THAT IS EMITTED FROM  
THE BATTERY.

## **SAFETY ALERTS**

While riding your Idol Scooter, if there is a system error or illegal operation performed the device will prompt the user in a variety of ways.

The following are common occurrences where you will see Safety Alerts. These notices should not be ignored, but appropriate action should be taken to correct any illegal operation, failure or errors.

- Prohibited riding surfaces (uneven, too steep, unsafe, etc.)
- Battery voltage is too low.
- The device is still charging.
- Overheating, or motor temperature is too high.
- When the battery is about to run out of power, the battery icon will flash.
- If any or both tires are blocked, the device will stop after 10 seconds.
- When the battery level has depleted below protection mode, the device motor will power off after 15 seconds.

While sustaining a high discharge current during use (such as riding up a steep slope for a long period of time), the device motor will power off after 15 seconds.

# FCC STATEMENT

This device complies with part 15 of the FCC Rules. Operation is subject to the following two conditions: (1) This device may not cause harmful interference, and (2) this device must accept any interference received, including interference that may cause undesired operation.

Please note that changes or modifications not expressly approved by the party responsible for compliance could void the user's authority to operate the equipment.

## FCC INSTRUCTIONS FOR A CLASS B DIGITAL DEVICE OR PERIPHERAL

Note: This equipment has been tested and found to comply with the limits for a Class B digital device, pursuant to part 15 of the FCC Rules. These limits are designed to provide reasonable protection against harmful interference in a residential installation. This equipment generates, uses and can radiate radio frequency energy and, if not installed and used in accordance with the instructions, may cause harmful interference to radio communications. However, there is no guarantee that interference will not occur in a particular installation. If this equipment does cause harmful interference to radio or television reception, which can be determined by turning the equipment off and on, the user is encouraged to try to correct the interference by one or more of the following measures:

- Reorient or relocate the receiving antenna.
- Increase the separation between the equipment and receiver.
- Connect the equipment into an outlet on a circuit different from that to which the receiver is connected.
- Consult the dealer or an experienced radio/TV technician for help.

# WARRANTY

For warranty information, Please visit us at:  
[www.hover-1.eu](http://www.hover-1.eu)

Affix Serial Number Label Here:

--

Manufacturer: DGL GROUP LTD, UK LE4, 8AT, UNITED KINGDOM  
DGL GROUP LTD, EU, 47877, GERMANY

Error codes	Error E1- motor hall failure, the motor needs to be replaced
	Error E2 - accelerator failure, the accelerator needs to be replaced
	Error code E3 - motor blocking fault, release the accelerator
	Error E4/MOS - mainboard MOS tube failure, the mainboard needs to be replaced
	Error E6 - controller / instrument communication failure, the controller needs to be replaced
	Error E7 - battery over-voltage protection, the battery needs to be replaced
	Error E8 - controller error, the controller needs to be replaced
	Error E9 - brake failure, the brake needs to be replaced

 <b>WARNING</b>	
	Read The Information Supplied By The Manufacturer

 <b>WARNING</b>	
	Wear Personal Protective Equipment

# TROUBLESHOOTING

For UK Customer Service, please contact +44 (0) 1355 241222 /  
escooters@letmerepair.co.uk

For other countries, please scan QR code below for more  
information.



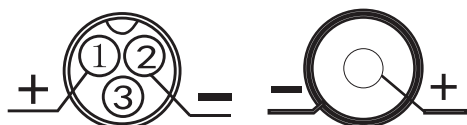
## WEEE DIRECTIVE



Following information is only for EU-member states: The mark shown to the right is in compliance with the Waste Electrical and Electronic Equipment Directive 2012/19/EU (WEEE). The mark indicates the requirement NOT to dispose the equipment as unsorted municipal waste, but use the return and collection systems according to local law.

## EC DECLARATION OF CONFORMITY

<https://drive.google.com/open?id=1i03-Cnurmvy5FjJuqziAMkG0xiGnPYjR>





@RideHover1



@RideHover1



@RideHover1



@RideHover1



[www.Hover-1.eu](http://www.Hover-1.eu)