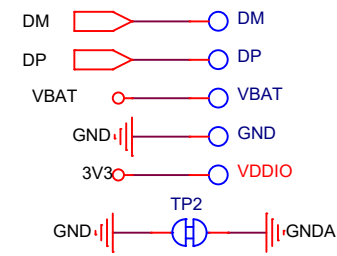
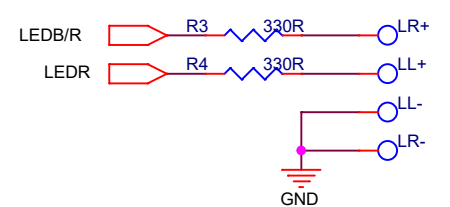
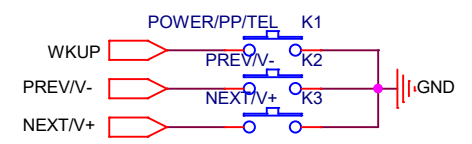
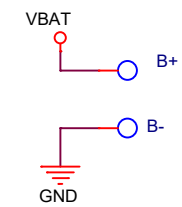
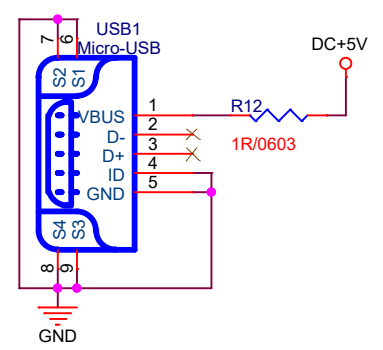
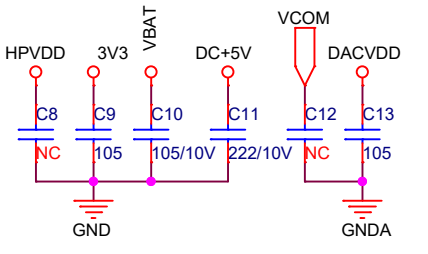
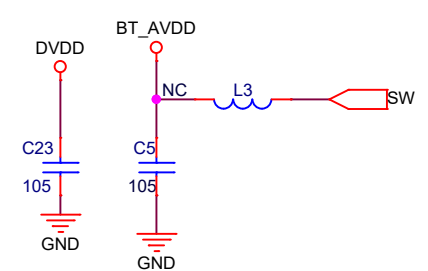
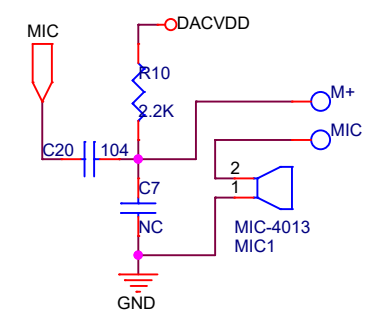
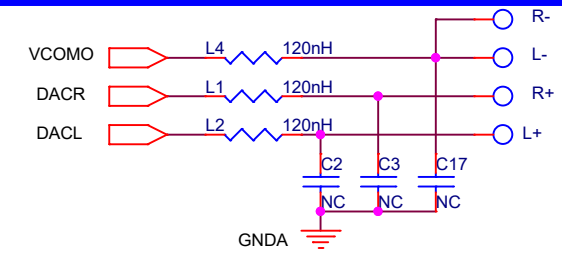
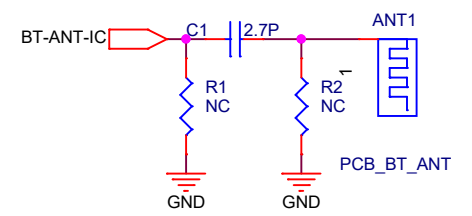
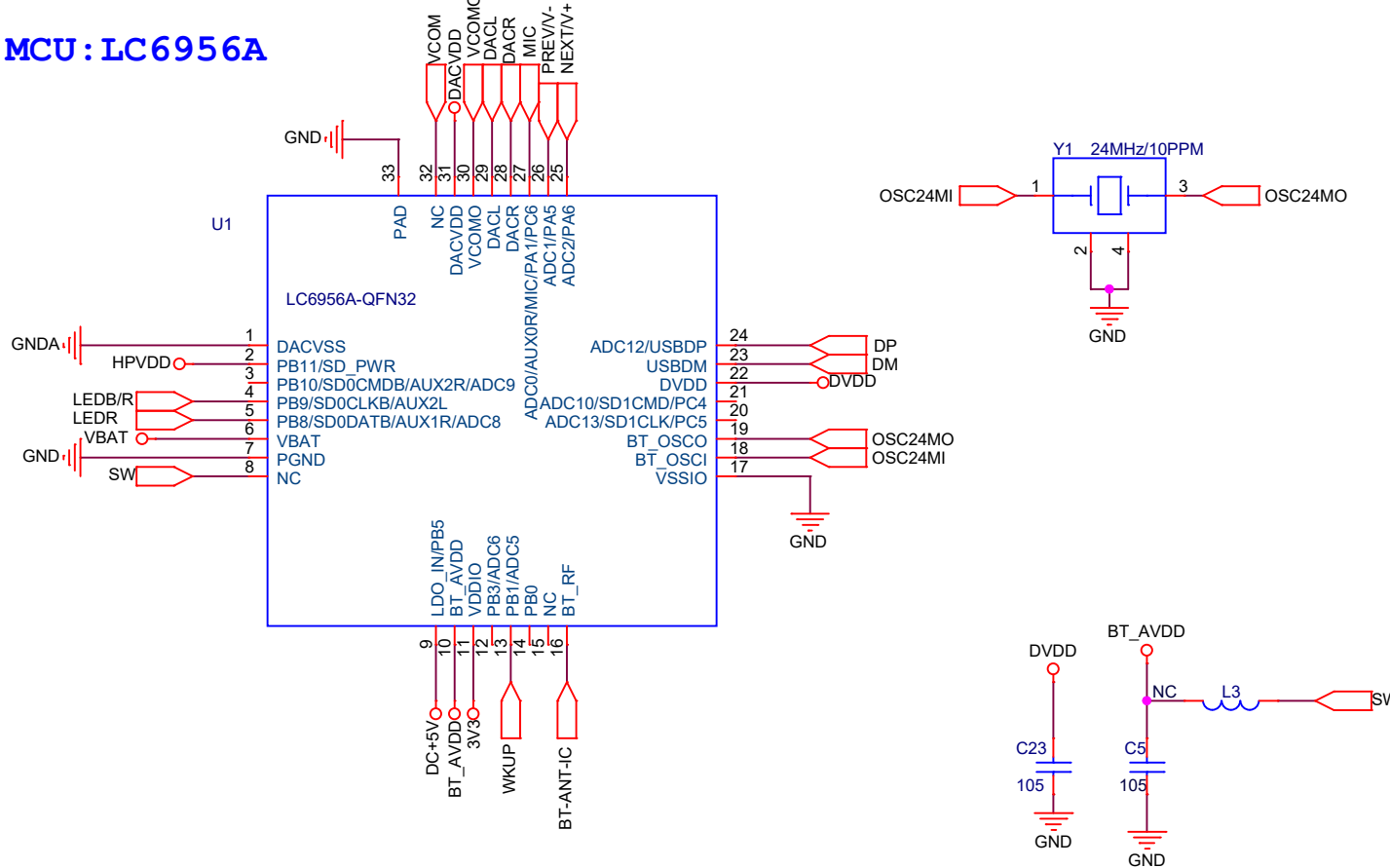


MCU: LC6956A



LED

Title		<Title>
Size	Document Number	Rev
A4	<Doc>	V6
Date:	Monday, July 27, 2020	Sheet 1 of 1

5

4

3

2

1

D

D

C

C

B

B

A

A

