



**KARAOKE  
WIRELESS MIC & SPEAKER**  
Operation Manual BMI-KRK-ASST

FCC ID: 2AANZDGKRK2  
BT ID: D059694  
MADE IN CHINA

Thank you for purchasing the BMI Wireless Karaoke Wireless Mic/Speaker. Please read all instructions carefully before using and retain this manual for future use and reference.

**PACKAGE CONTENTS**

- Karaoke Wireless Mic/Speaker
- Micro USB Charging Cable
- Operation Manual

**KEY FEATURES**

- Compatible with Bluetooth®-enabled devices
- Built-in rechargeable battery
- Built-in speaker
- Volume and echo control

**SAFETY INSTRUCTIONS**

Keep the unit away from heat sources, direct sunlight, humidity, water and any other liquids.

Do not operate the unit if it has been exposed to water, moisture or any other liquids to prevent against electric shock, explosion and/or injury to yourself and damage to the unit.

Do not use the unit if it has been dropped or damaged in any way.

Repairs to electrical equipment should only be performed by the manufacturer. Improper repairs may place the user at serious risk.

Do not puncture or harm the exterior surface of the product in any way.

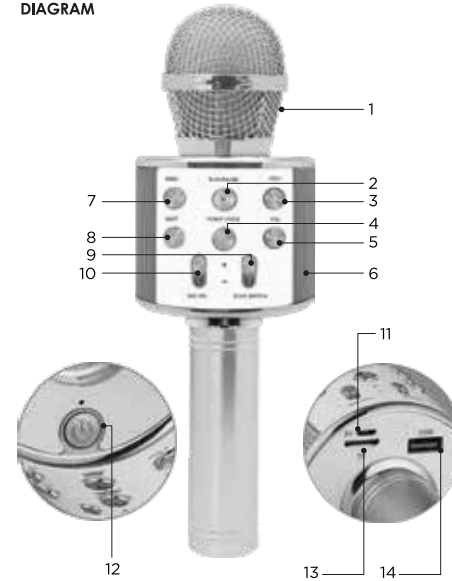
Keep the unit free from dust, lint, etc.

Do not use this unit for anything other than its intended use or purpose. Doing so may damage the device.

This product is not a toy. Keep out of reach of children. Do not expose batteries, battery pack, or batteries to

installed to excessive heat, such as direct sunlight, or open flame.

**DIAGRAM**



- 1. Microphone
- 2. Play/Pause
- 3. Volume Up
- 4. Funny Voice
- 5. Volume Down
- 6. Built-in Speaker
- 7. Previous Track
- 8. Next Track
- 9. Echo Switch
- 10. Microphone Volume Switch
- 11. Micro USB Charge Port
- 12. On/Off/Mode Button/FM Radio
- 13. TF Card Port
- 14. USB Media Port

**CHARGING THE KARAOKE WIRELESS MIC/SPEAKER**

The Karaoke Wireless Mic/Speaker comes with a built-in rechargeable battery. Before using it for the first time, we recommend you charge the battery fully. Only use the supplied charge cable to charge the speaker.

Connect the USB end to a computer USB port or a USB wall charger and the micro USB to the charge port on the karaoke mic. The red LED indicator will illuminate while the Karaoke Wireless Mic/Speaker is charging.

A full charge of the battery takes around 4 hours. When the battery is fully charged, the LED indicator will turn off. Disconnect the Karaoke Wireless Mic/Speaker at this point. The Karaoke Wireless Mic/Speaker will then be ready for use.

When the battery is low, the LED indicator emit three tones every 20 seconds. When this occurs, please recharge the karaoke mic. When using your Karaoke Wireless Mic/Speaker with an iPhone, the top right corner will indicate your karaoke mic's battery life.

**PROMPT NOTIFICATION**

- The Karaoke Wireless Mic/Speaker will notify you during "Power On" with the sound of a beep.
- The Karaoke Wireless Mic/Speaker will notify you during "Power off" with a prompt tone.
- The Karaoke Wireless Mic/Speaker will notify you when "Pairing Successful" with the sound of a beep.

**PAIRING THE KARAOKE WIRELESS MIC/SPEAKER**

1. Ensure the Karaoke Wireless Mic/Speaker is turned off. If it is not, please turn off the Karaoke Wireless Mic/Speaker first before pairing.
2. Press and hold the multifunction button for 3 seconds until the blue LED indicator flashes. This will indicate your Karaoke Wireless Mic/Speaker is now in pairing mode.
3. Place the Karaoke Wireless Mic/Speaker and the Bluetooth® device to which you would like to pair it within the operating distance. We recommend keeping the two devices no further than 3 feet apart.
4. Ensure Bluetooth is enabled on your device. Refer to the manufacturer's instructions for how to enable Bluetooth on

your device.

5. Once you have activated Bluetooth on your device, select the Karaoke Wireless Mic/Speaker "BMKRK" from the list of available Bluetooth devices.

6. If required, enter the PIN code "0000" and confirm the entry.

Note: If pairing is unsuccessful, turn off the Karaoke Wireless Mic/Speaker first and re-pair following the aforementioned steps. Once you have paired the Karaoke Wireless Mic/Speaker with a device, the Karaoke Wireless Mic/Speaker will remember this device and will pair automatically when the device's Bluetooth is activated and in range. You do not need to re-pair any previously connected devices.

**CONNECTION**

Connect your phone with bluetooth, and then open the singing APP on your phone. The built-in audio and sound effects will play from the mic. Allowing you to listen and sing anytime and anywhere.

**OPERATING THE KARAOKE WIRELESS MIC/SPEAKER**

**Playing music wirelessly**

Once the Karaoke Wireless Mic/Speaker is paired to your device, you can stream music wirelessly to the built-in speaker. Select the track you wish to listen to on your device to play through the speaker. Should you encounter any problems while streaming, please refer to your device's user manual.

**Adjust Voice Echo**

Push the echo switch up or down to adjust voice echo.

**Adjust Microphone Voice Volume**

Push the volume switch up or down to adjust voice volume.

**Funny Voice**

Long press button: Switch to strange mode 4 sounds.  
Short press: Switch to accompaniment mode.

**FM Radio**

Press power button once to enter radio mode. Press and hold "Play" to enter auto station search. Press "Prev" to go to previous station, press "Next" to the next station.

**SPECIFICATIONS**

|                     |                  |
|---------------------|------------------|
| Bluetooth® Version: | V 5.3            |
| Operating Distance: | Up to 33ft (10m) |
| Pick Up:            | Capacitive       |
| Speaker Output:     | 3W               |
| Frequency Range:    | 150Hz-18kHz      |
| Sensitivity:        | 80db - 115db     |
| Play Time:          | Up to 3 hours    |
| Battery Type:       | Lithium-ion      |
| Battery Capacity:   | 1200 mAh         |
| Charging Voltage:   | DC 5V            |
| Charging Time:      | Up to 4 Hours    |
| Charging Interface: | Micro USB        |
| FCC ID:             | 2AANZDGKRK2      |
| BT ID:              | D059694          |

**CARE AND MAINTENANCE**

- Do not expose the unit to excessive heat or humidity to avoid damage to the product's internal circuitry.
- Do not use abrasive cleaning solvents to clean the unit.
- Do not expose the unit to extremely high or low temperatures as this will shorten the life of the electronic device, destroy the battery, and/or distort certain plastic parts.
- Do not dispose of the unit in fire as they may explode or combust.
- Do not expose the unit to contact with sharp objects as this will cause scratches and damage.
- Do not let the unit fall from high places, as doing so may damage the internal circuitry.
- Do not attempt to disassemble the unit.

**FCC STATEMENT**

This device complies with part 15 of the FCC Rules. Operation is subject to the following two conditions:  
(1) This device may not cause harmful interference, and  
(2) this device must accept any interference received, including interference that may cause undesired operation.

**WARNING:** Changes or modifications not expressly approved by the party responsible for compliance could void the user's authority to operate the equipment.

Note: This equipment has been tested and found to comply with the limits for a Class B digital device, pursuant to part 15 of the FCC Rules. These limits are designed to provide reasonable

protection against harmful interference in a residential installation. This equipment generates, uses and can radiate radio frequency energy and, if not installed and used in accordance with the instructions, may cause harmful interference to radio communications. However, there is no guarantee that interference will not occur in a particular installation. If this equipment does cause harmful interference to radio or television reception, which can be determined by turning the equipment off and on, the user is encouraged to try to correct the interference by one or more of the following measures:

- Reorient or relocate the receiving antenna.
- Increase the separation between the equipment and receiver.
- Connect the equipment into an outlet on a circuit different from that to which the receiver is connected.
- Consult the dealer or an experienced radio/TV technician for help.

**RF WARNING STATEMENT:**

The device has been evaluated to meet general RF exposure requirement.  
The device can be used in portable exposure condition without restriction