

Model

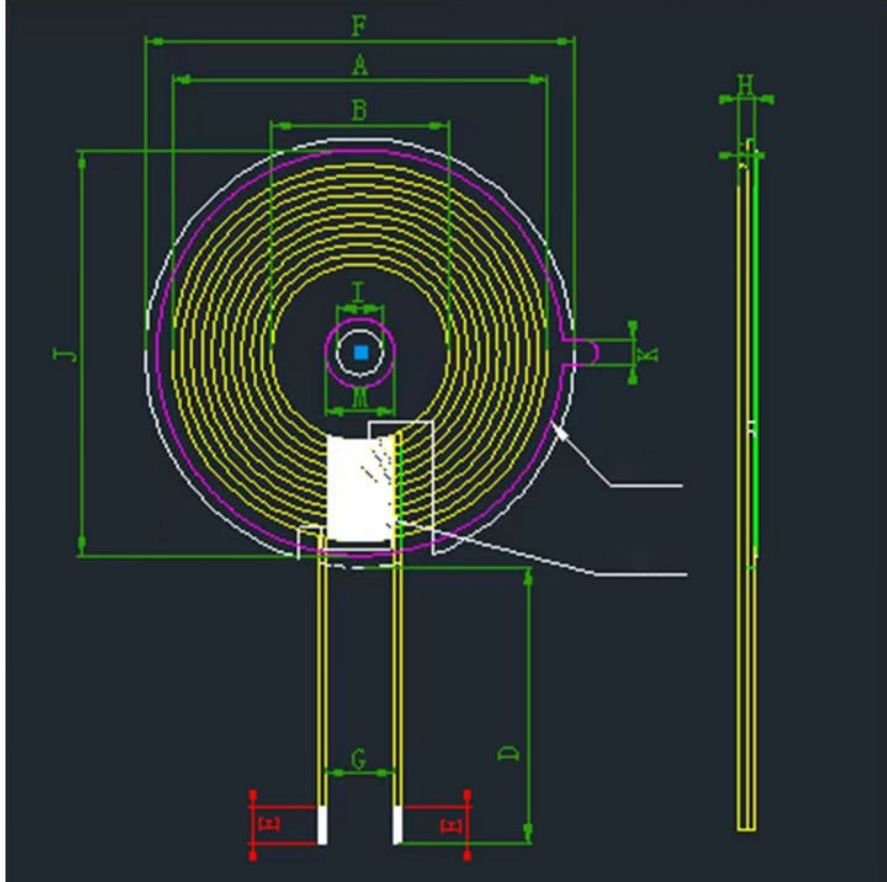
G5011

Client

Part number

Size (mm)

A	42.0 ± 1.5
B	20.5 ± 0.5
D	40 ± 3
E	4 ± 2
F	50 ± 1
G	10.0 ± 3
H	2.5Max
I	5.3 ± 1.5
M	8.0 ± 3
J	47 ± 3
K	3.0 ± 2



Concentrate:

- The specific parameters are subject to the sample