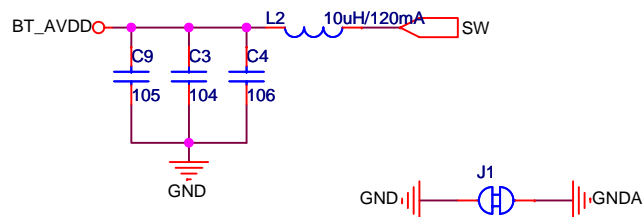
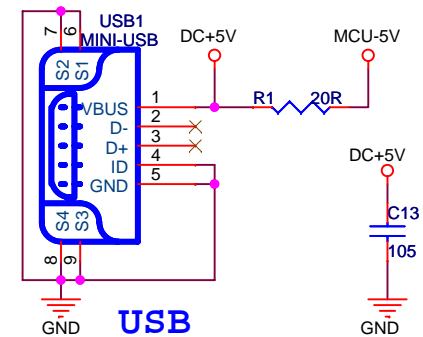
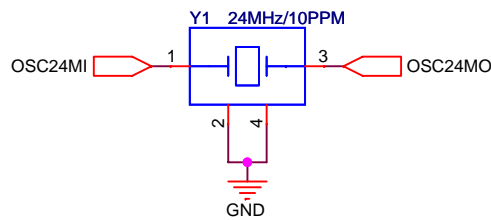
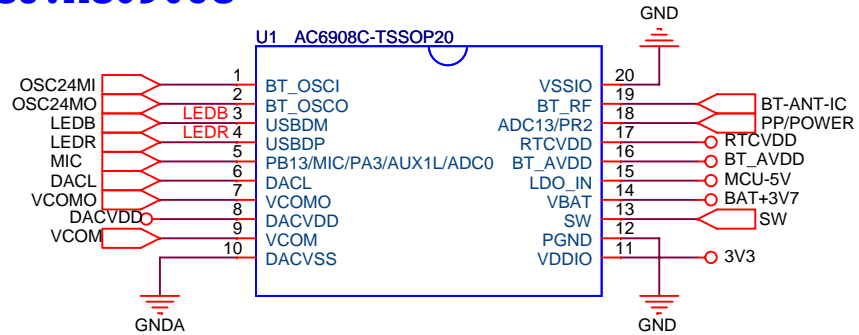
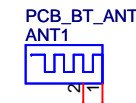
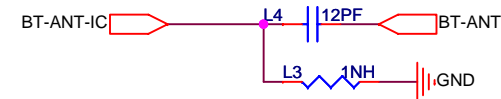
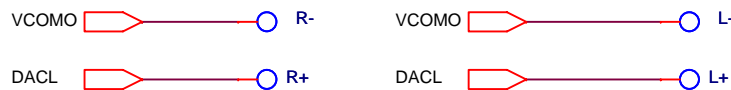


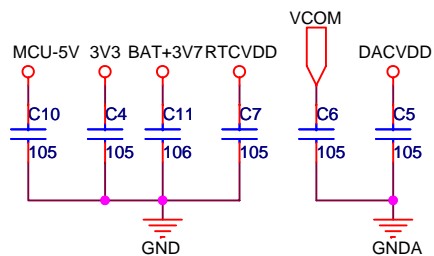
# MCU:AC6908C



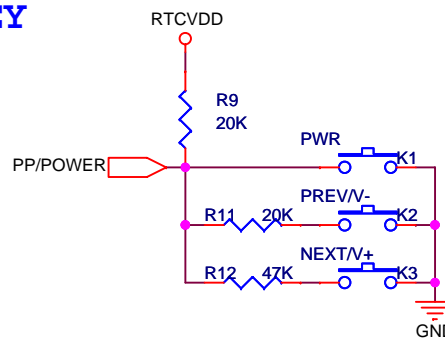
## DAC



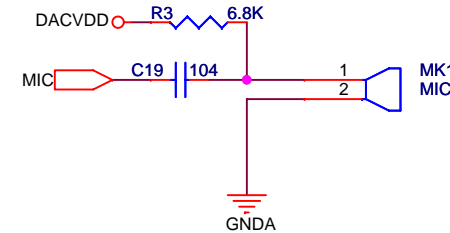
## ANT



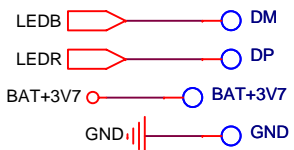
## KEY



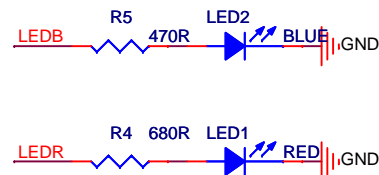
## MIC



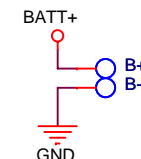
## TEST POINT



## LED



## BAT



Shenzhen Lenze Technology Co.,LTD

Title	<Title> MCU-6908	
Size	Document Number	Rev
A4	6908 APPLICATION CIRCUIT.dsn	V1.0
Date:	Wednesday, August 30, 2017	Sheet 1 of 3