



深圳市思科通信科技有限公司  
Shenzhen ssiko communication technology co., LTD

# 承 认 书

## SPECIFICATION FOR APPROVAL

客户名称

CUSTOMER NAME: 万德仕

---

产品名称

PRODUCT NAME: WB-219 5.8G WIFI 天线+一代端子焊线,L=90MM

---

客户料号 G.061.WB219-001

CUSTOMER P/N: SKWB21920190301

---

	MANUFACTURER SIGNATURE	CUSTOMER SIGNATURE
CHECKED BY:	颜培浩	张中华
APPROVED BY:	钟安	叶锋
DATE:	2019.04.29	2019.05.16

地址:深圳市宝安区 71 区百财科技园 L 栋 5 楼

电话: 13509013159



# 深圳市思科通信科技有限公司

## Shenzhen ssiko communication technology co., LTD

### *Contents*

- 1. ....Specification
- 2. ....Test equipment
- 3. ....Matching circuit
- 4. ....Sample picture
- 5. ....Network Analyzer Test Report
- 6. ....Passive test report
- 7. ....Antenna installation diagram
- 8. ....Antenna line sample diagram

# 深圳市思科通信科技有限公司


## Shenzhen ssiko communication technology co., LTD

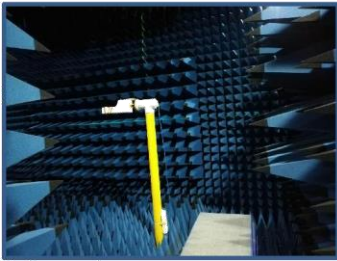
### 1 . Specification:

#### Main technical parameters of the product

Main technical specifications		Main technical specifications	
Frequency range (MHZ)	5727-5800	Frequency Range (MHZ)	5727-5800
Characteristic impedance ( $\Omega$ )	50	Impedance( $\Omega$ )	50
peak gain (dBi)	05	Peak Gain(dBi)	0.5
Output voltage Standing wave ratio	$\leq 1.5$	VSWR	$\leq 1.5$
Max power	9.21dBm	Admitted Power	9.21dBm
Polarization mode	Vertical polarization	Polarization	Linear,Vertical
Physical properties		Physical properties	
Antenna Base	FPC	Antenna Base	FPC
Operating Temp	-20 $^{\circ}$ C~+65 $^{\circ}$ C	Operating Temp	-20 $^{\circ}$ C~+65 $^{\circ}$ C
Storage Temp	-30 $^{\circ}$ C~+75 $^{\circ}$ C	Storage Temp	-30 $^{\circ}$ C~+75 $^{\circ}$ C

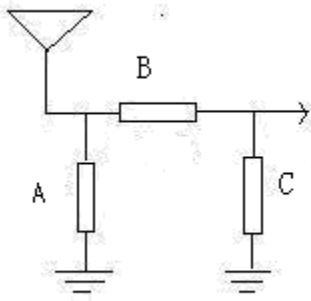
### 2. Test Enqupment

	测试系统	测试环境	有源测试	无源测试
	ETS	温度：22℃±3℃ 湿度：50%±15%	支持2G/3G/4G 支持BT/WIFI/GPS	600MHZ——6G



### 3. matching circuit

No matching circuit added.



Matching circuit	A	B	C
Data	NF	0 ohm	NF

#### 4. Sample picture



#### 5. Network Analyzer Test Report



深圳市思科通信科技有限公司  
Shenzhen ssiko communication technology co., LTD

frequency (MHZ)	5727	5750	5775	5800
standing wave	1.14	1.27	1.48	1.62

6. Passive test report

Passive Test For 5G								
Freq (MHz)	Effi (%)	Effi (dB)	Gain (dBi)	Gain (dBd)	Max (dB)	Min (dB)	Attenut Hor	Attenut Ver
5727	61.02	-2.15	0	2.15	0	-12.58	61.99	61.33
5750	77.58	-1.1	0.25	-1.9	0.25	-13	62.48	62.82
5800	65.44	-1.84	0.5	-1.65	0.5	-12.87	64.56	65.16

7. Antenna installation diagram



# 深圳市思科通信科技有限公司

## Shenzhen ssiko communication technology co., LTD

### 8. Antenna line sample diagram

