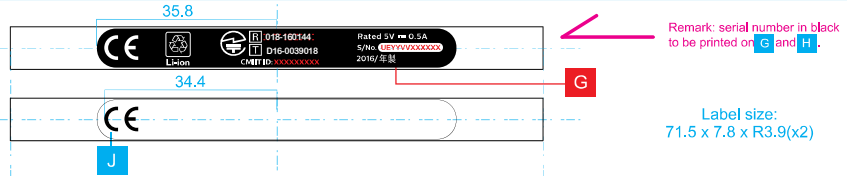


Headband Bottom view inner

Remark: approbation **J** is engraving on the inner under side part of the headband. Headband of SHL4405/4400 and SHB4405 is shared. In case of SHB4405, the approbations stickers **G** or **H** are covering the approbation **J**.



Label size: 71.5 x 7.8 x R3.9(x2)

G
Remark: Sticker **G** is /00 version.

L
Remark: Sticker **L** is /00 version.

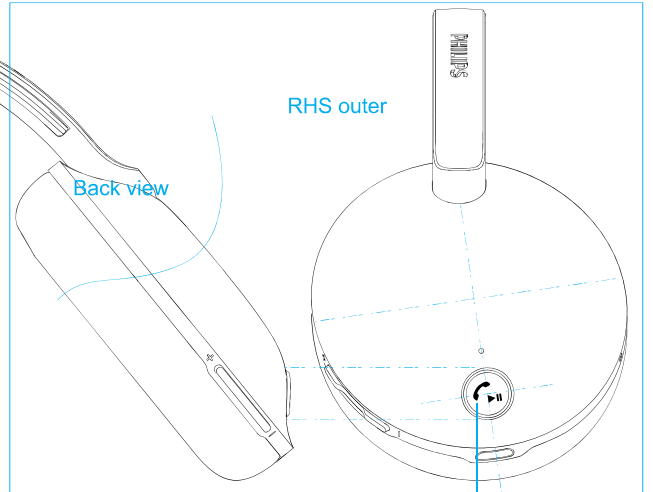
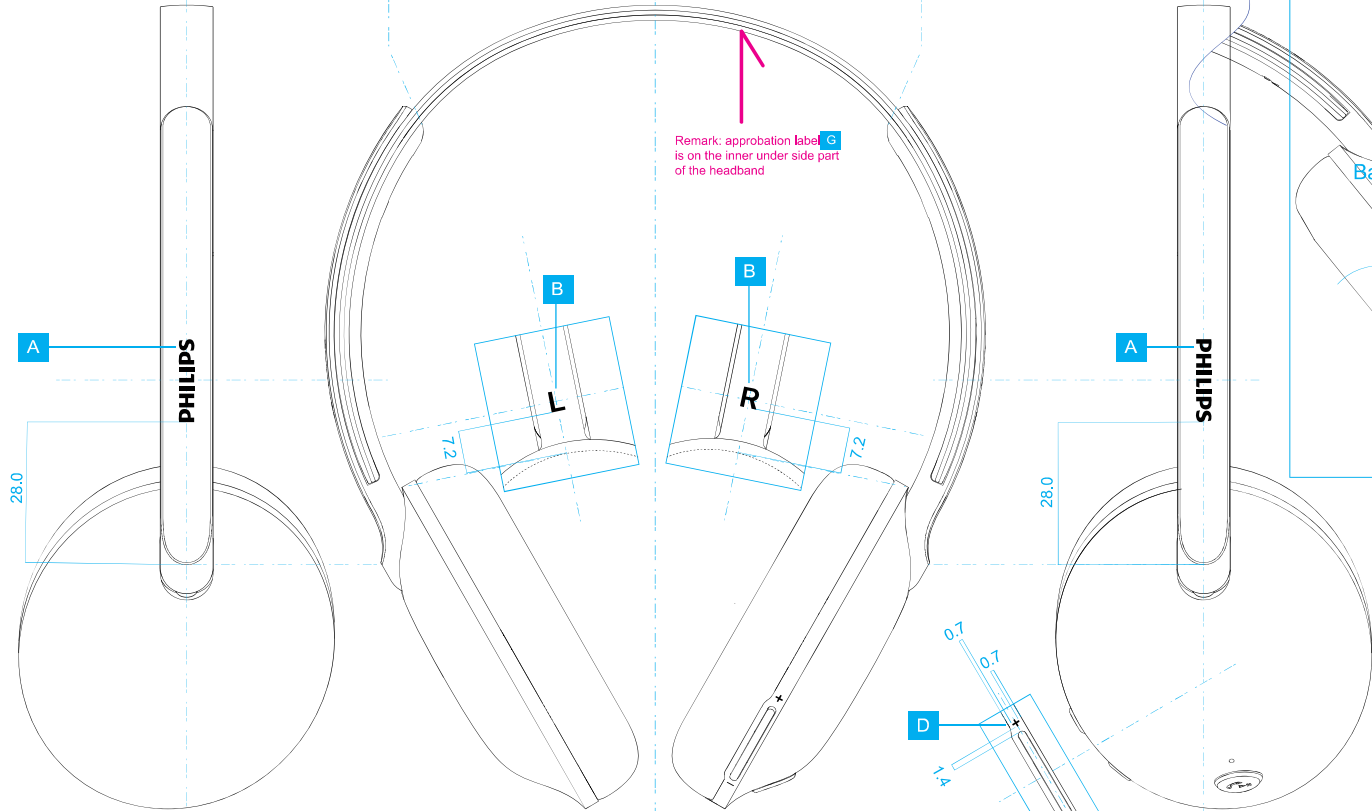
H
Remark: Sticker **H** is /27 version.

Remark: Replace sticker **G** with sticker **L** for additional approbations for Taiwan, Australia, New Zealand, Korea and Russia.

LHS outer

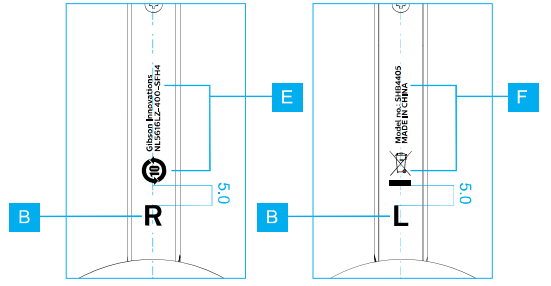
Back view

RHS outer



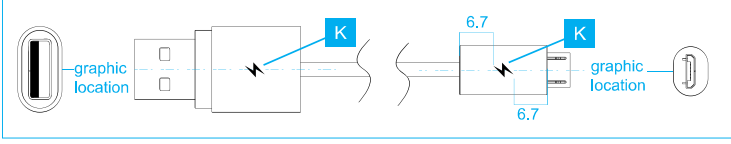
Extension arm
RHS inner

Extension arm
LHS inner



Charging cable_sleeve (device side)

Charging cable_sleeve (headphone side)



Some more reliability report need to added, would call you later to check

Template version 2.0 | GI - B - 019 - 05 | Confidential

Scale: 100%
Unit: mm

Version history				PRODUCT GRAPHIC DRAWINGS			
Version	Summary of updates	Approved for use by	Date	Version	Summary of updates	Approved for use by	Date
1.0	Release for PPC	Axel Lorscheid	2016.04.25				
2.0	Sticker update; part "L"	Axel Lorscheid	2016.05.20				
3.0	Remove the approbation "0890"	Axel Lorscheid	2016.06.07				