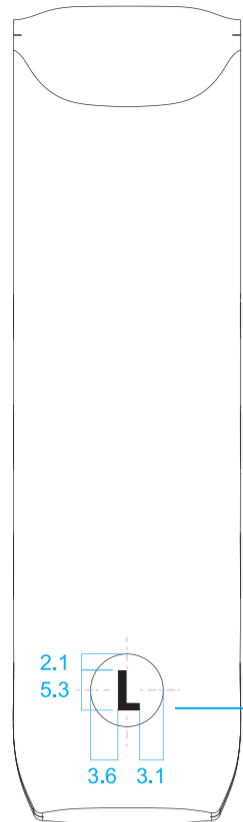


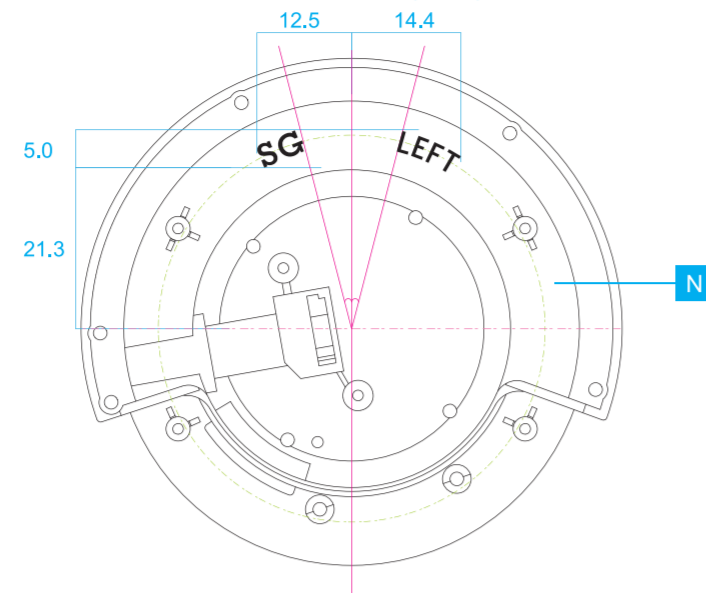
Inner Headband LHS



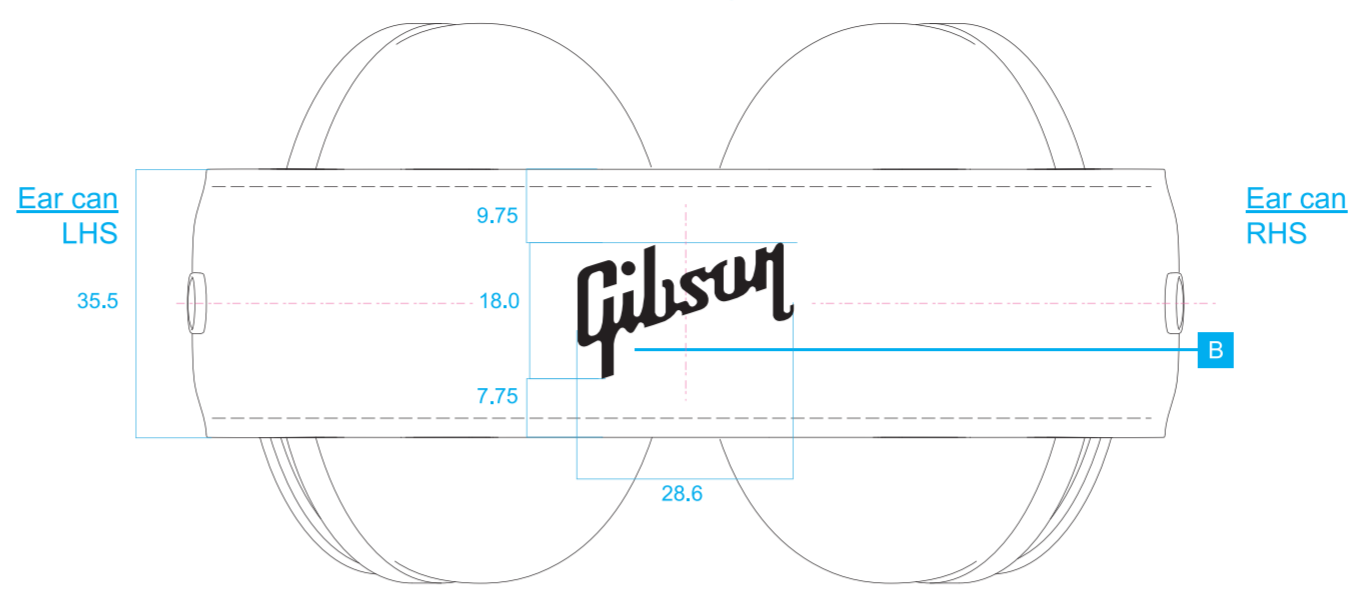
Inner Headband RHS



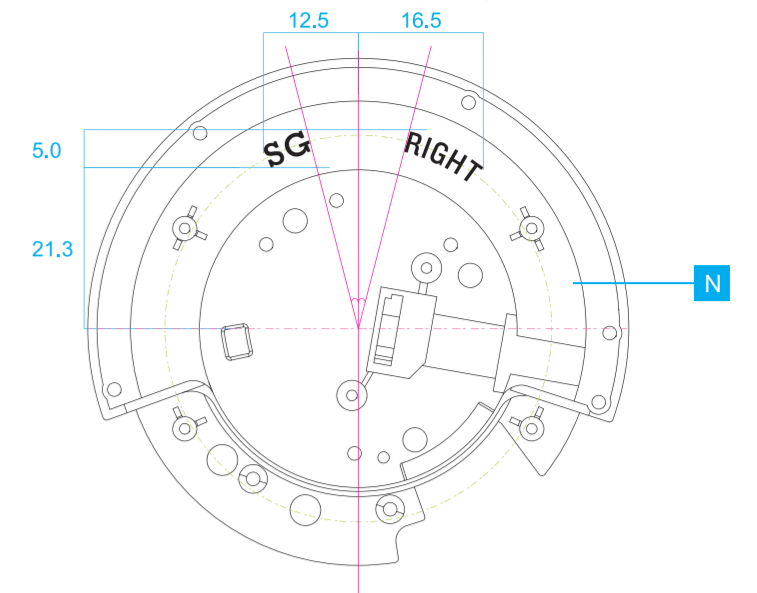
Internal frame (LHS)



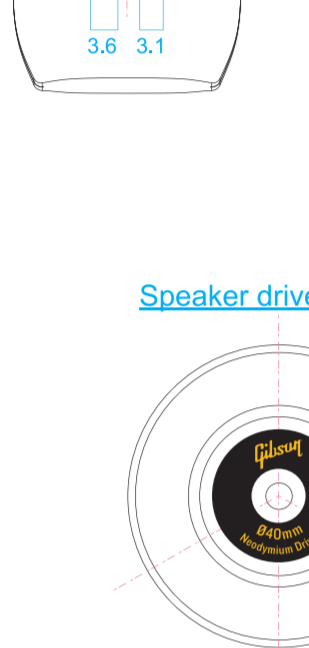
Headband top view



Internal frame (RHS)



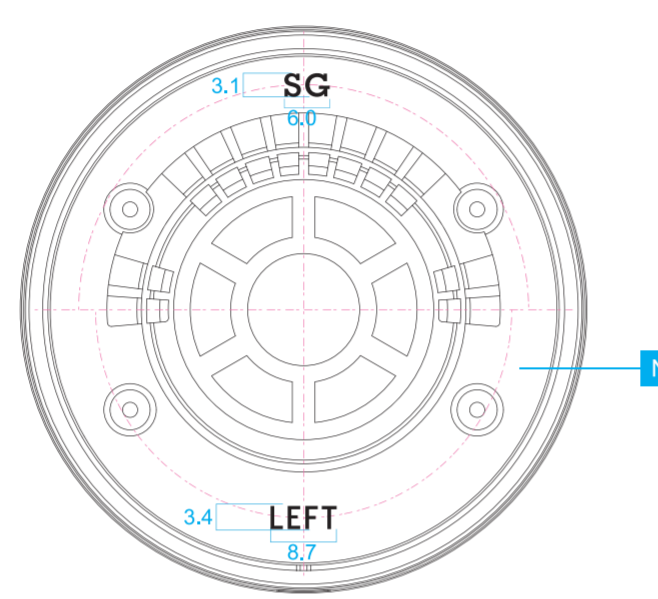
Earshell front housing (LHS)



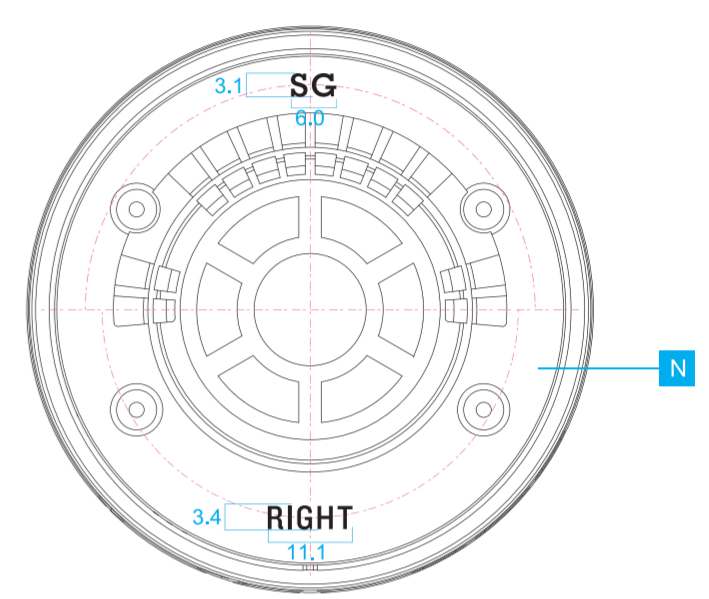
Earshell front housing (RHS)



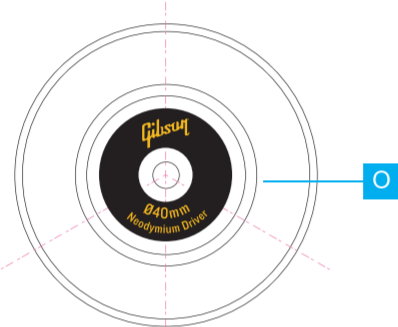
Earshell front housing (LHS)



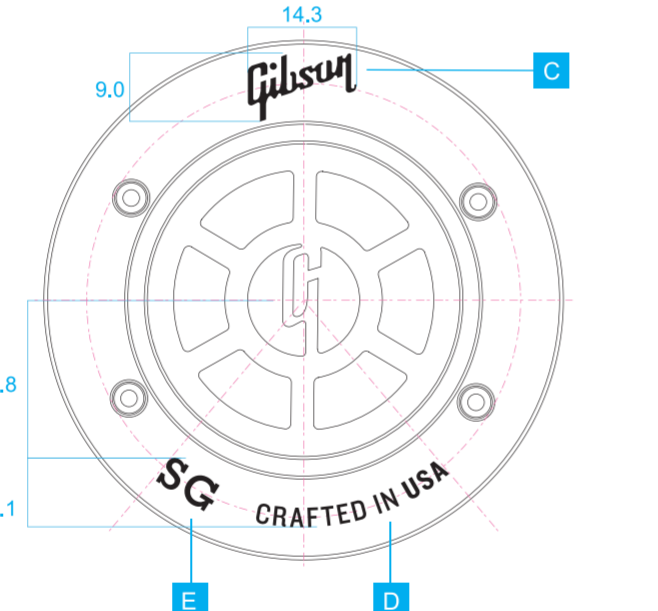
Earshell front housing (RHS)



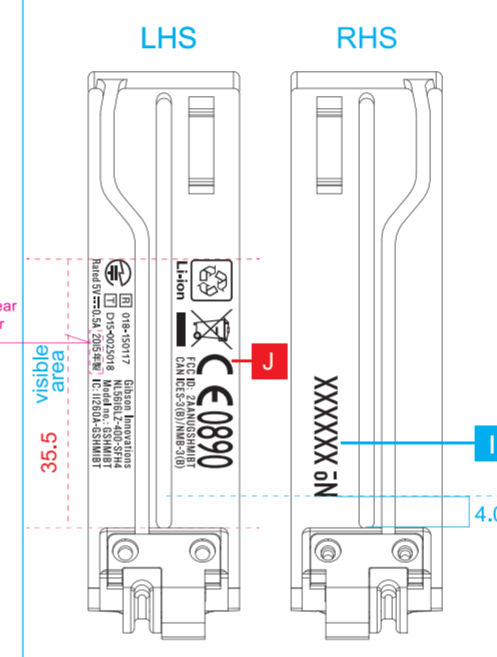
Speaker driver back



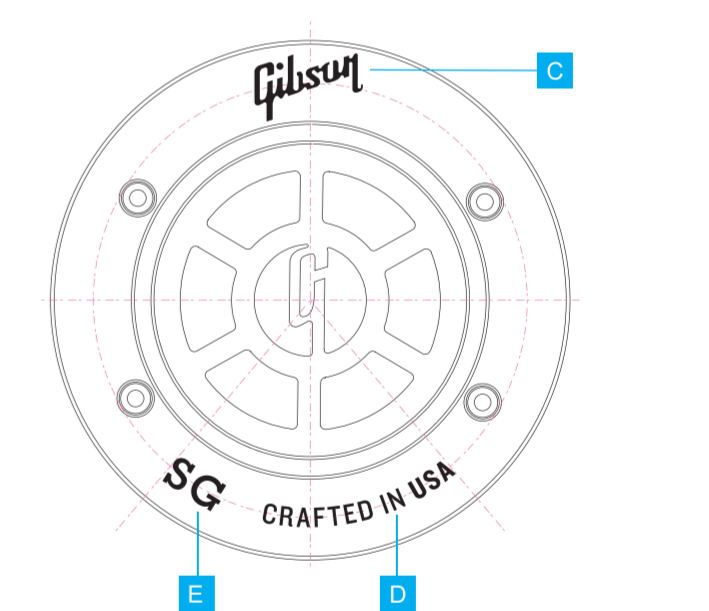
Speaker plate (LHS)



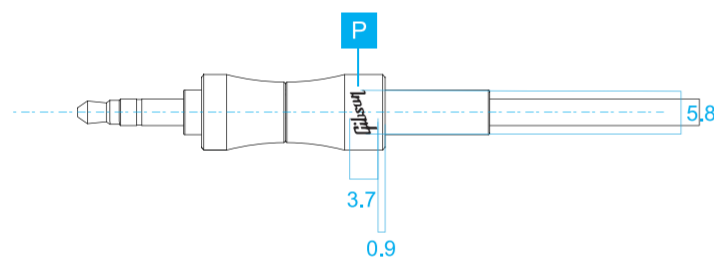
Extension arm inner view



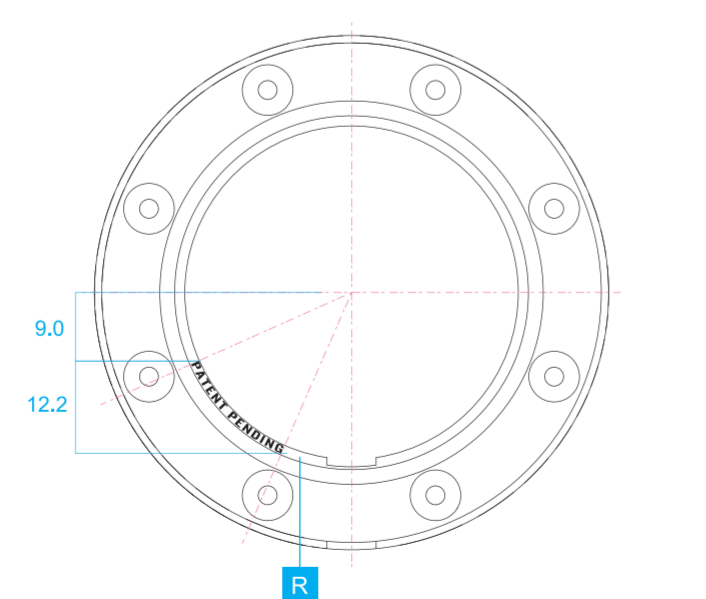
Speaker plate (RHS)



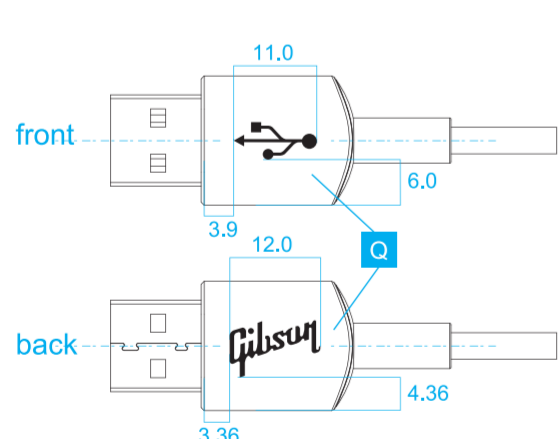
Audio cable device side connector



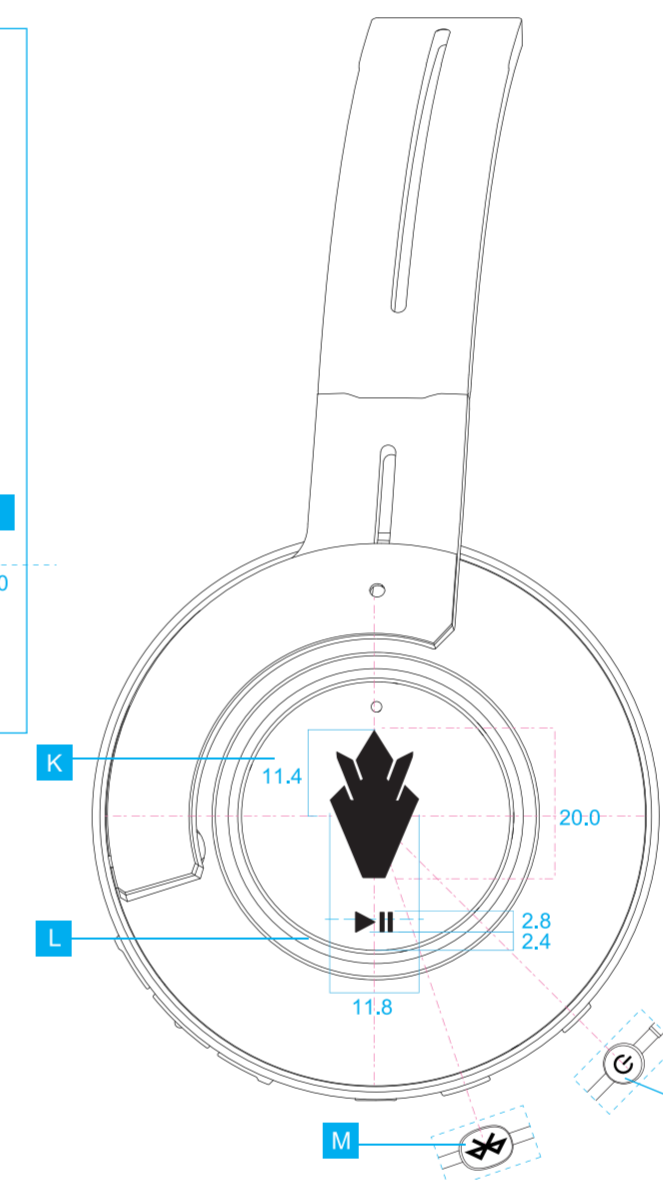
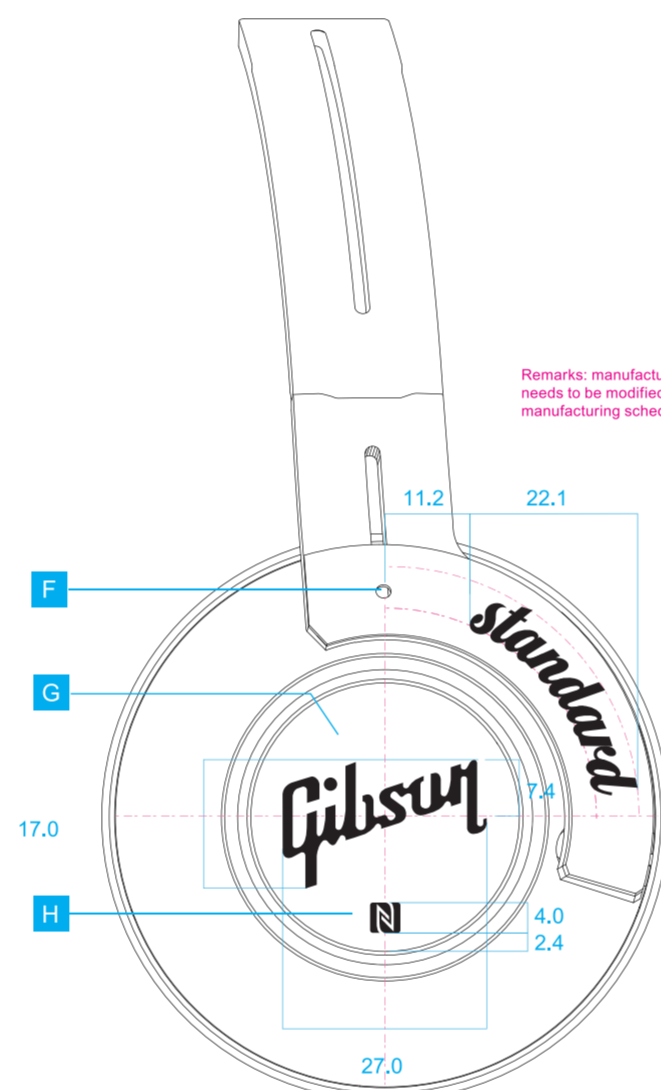
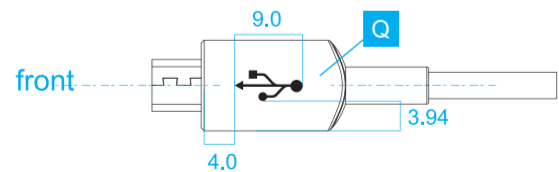
Ear cushion frame



Charging cable sleeve (device side)



Charging cable sleeve (headphones side)



Version history			PRODUCT GRAPHIC DRAWINGS			Scale: 100%	
Project: GSHM1BT			Design Lead: Yannick Lenormand			Unit: mm	
Version	Summary of updates	Approved for use by	Date	Version	Summary of updates	Approved for use by	Date
1.0	first release for CES	Yannick Lenormand	2014.11.26	4.3	item H, L and R technique and color	Yannick Lenormand	2015.05.22
2.0	updated speaker plate graphic	Yannick Lenormand	2014.11.27	4.4	updated CTN and approbation	Yannick Lenormand	2015.07.15
3.0	updated Gibson logo position on headband and updated serial number on arm	Yannick Lenormand	2014.12.03				
4.0	updated product drawing and graphics	Yannick Lenormand	2015.03.12				
4.1	updated USB cable drawing & graphics item Q	Yannick Lenormand	2015.05.12				
4.2	updated USB cable graphics size, added ear cushion frame (item Q, F)	Yannick Lenormand	2015.05.22				

PART	COLOUR	TECHNIQUE	CHANGES / REMARKS	VER	
A	L & R graphics on inner headband pins	PMS Process Black C	Recess engraving ink filled	The pin remain metal v4.0: updated typeface	4.0
B	GIBSON logo on headband top	As per material color	Heat pressed	v3.0: updated vertical position. v4.0: updated new drawing	4.0
C	GIBSON logo on speaker plate (LHS & RHS)	As per material color	Etched, recess 0.2mm	Etched before plating to preserve color. v4.0: updated new drawing	4.0
D	'CRAFTED IN USA' graphic on speaker plate (LHS & RHS)	As per material color	Etched, recess 0.2mm	Etched before plating to preserve color. v2.0: updated graphics position. v4.0: updated new drawing, changed text to 'CRAFTED IN USA' and updated typeface	4.0
E	'SG' graphic on speaker plate (LHS & RHS)	As per material color	Etched, recess 0.2mm	Etched before plating to preserve color. v2.0: updated graphics position. v4.0: updated new drawing	4.0
F	'Standard' text on arm guard (LHS)	As per material color	Etched, recess 0.2mm	Etched before plating to preserve color v4.0: updated text 'Standard' font typeface & new drawing	4.0
G	GIBSON logo on ear can (LHS)	Gibson metallic gold (refer to guitar)	Silkscreen	v4.0: updated new drawing & Gibson logo size	4.0
H	NFC icon	PMS Black 7C	Silkscreen	v4.0: updated new drawing; v4.3: updated technique	4.3
I	Limited edition number on extension arm inner (RHS)	As per material color	Laser etched, recess 0.1mm	v3.0: updated size, gaphics and position v4.0: laser etched after plating	4.0
J	Approbation on extension arm inner (LHS) (to be confirmed)	As per material color	Leser etched, recess 0.05mm	v4.0: lazer etched before plating v4.4: updated approbation and CTN from GSH-M1B to GSHM1BT	4.4
K	'Holly CROWN' graphic on ear can (RHS)	Gibson metallic gold (refer to guitar)	Silkscreen	v4.0: updated new drawing & graphics size	4.0
L	PLAY / PAUSE icon on button	PMS Black 7C	Silkscreen	v4.0: updated new drawing & graphics size; v4.3: updated technique	4.3
M	Power and Bluetooth icon	As per material color	recess engraving 0.2mm, high gloss finish	v4.0: updated new drawing & graphics size	4.0
N	Graphic on earshell front housing and internal frame (LHS & RHS)	As per material color	Recess engraving 0.2mm, high gloss finish	v4.0: new added item	4.0
O	Label on speaker driver back (LHS & RHS)	Gold text (Gibson gold) on black background	Paper label	v4.0: new added item, label stick on the back of the magnet	4.0
P	Gibson logo on audio cable device side connector	As per material color	Etched, recess 0.2mm	v4.0: new added item, etched before plating to perserve color	4.0
Q	USB icon & Gibson logo on charger cable	As per material color	Etched, recess 0.2mm	v4.0: new added item, etched before plating to perserve color; v4.1: updated USB cable drawing, graphics and technique: etched before anodizing; v4.2: updated icon and Gibson logo size	4.2
R	Graphic on ear cushion frame	As per material color	Raised up engraving 0.1mm	v4.2: new added item; v4.3: updated technique	4.3

Artwork (scale 1:1)

