

**PROJECT**

**LOCATION:**  
**BUSINESS GROUP:**  
**PROJECT NO:**  
**COLOUR NAME:** Black

**PROJECT TEAM**

**DOC CREATOR:**  
**PGD:**  
**PD:**  
**VTA:**  
**CMM:**  
**I&D:**

**GENERAL**

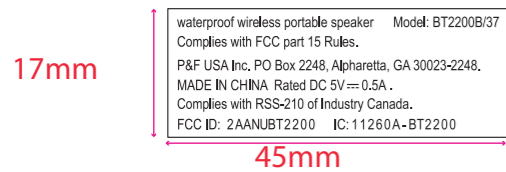
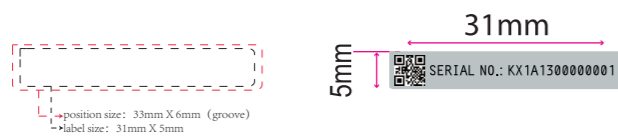
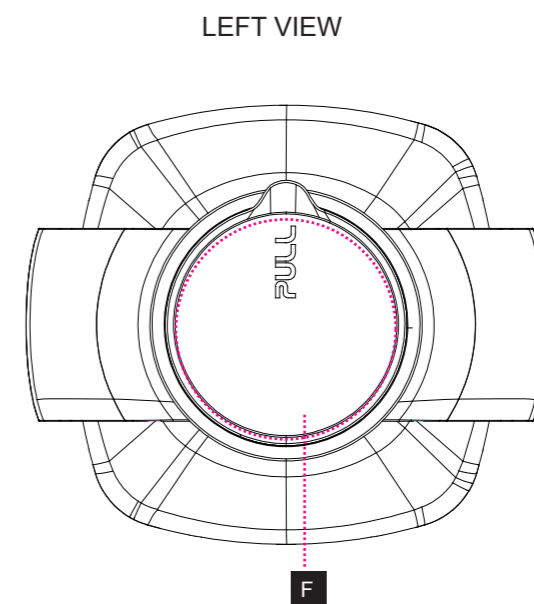
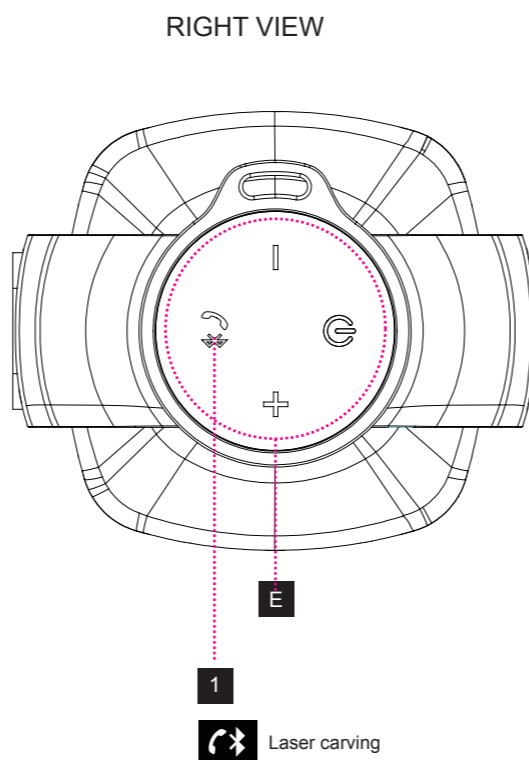
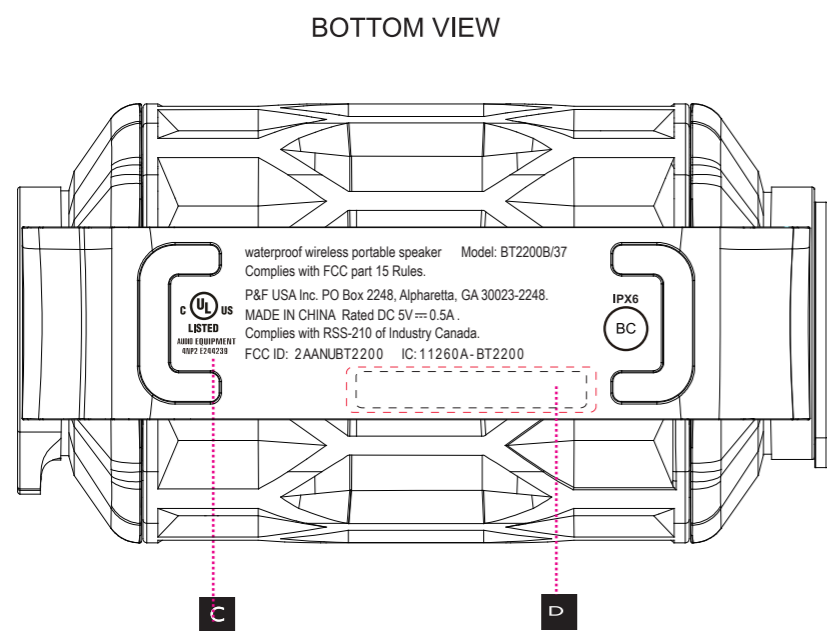
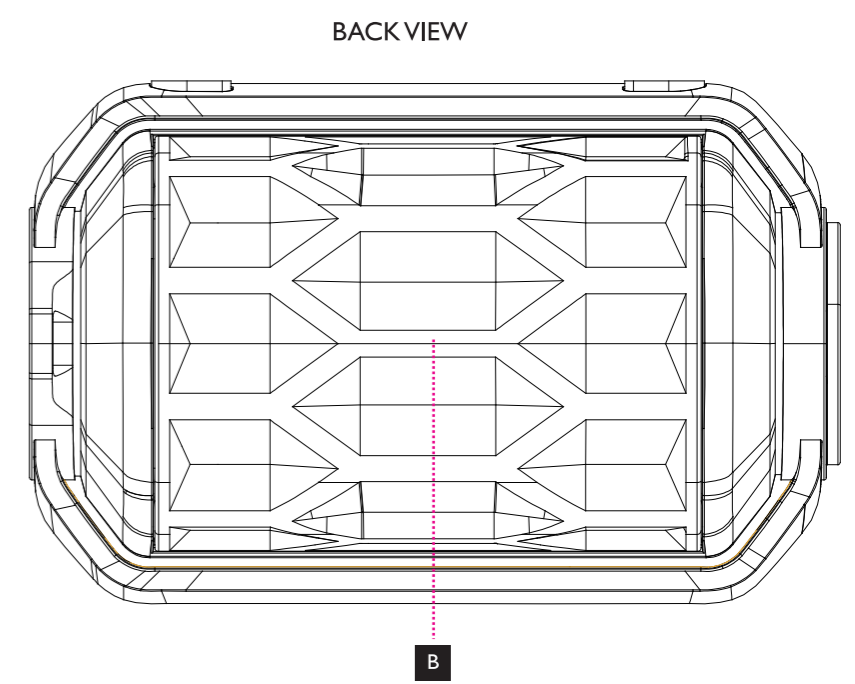
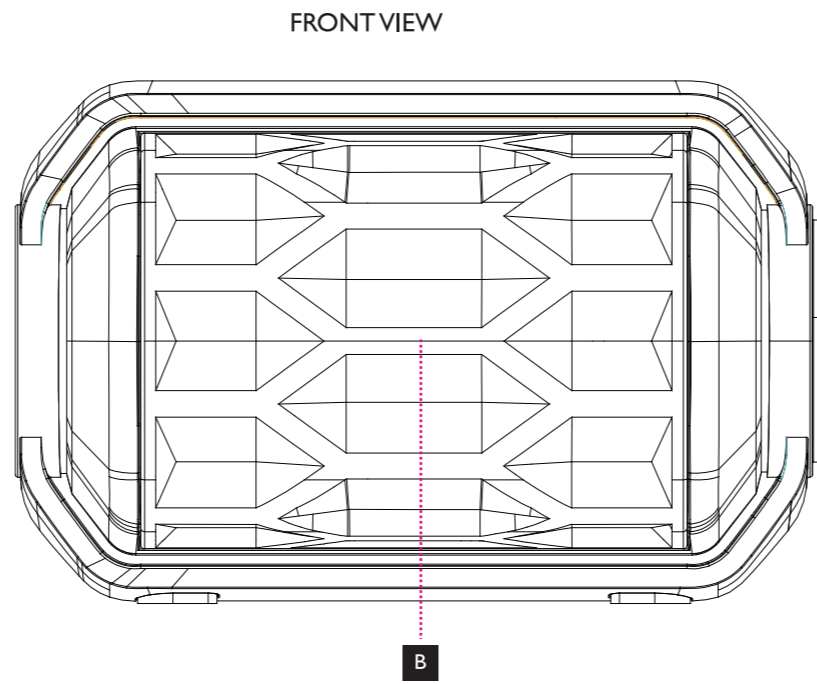
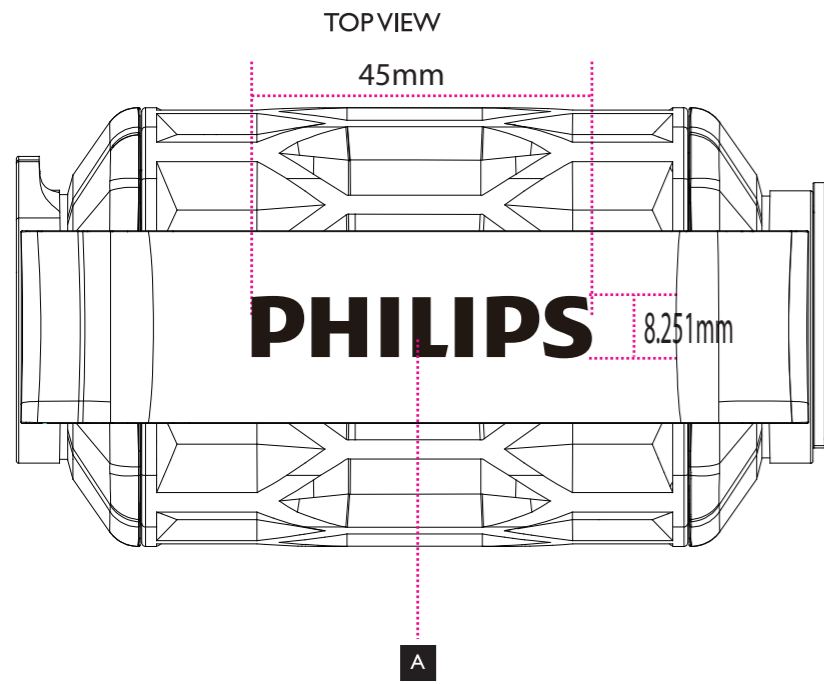
**SCALE:**  
100%  
**UNITS:**  
mm

**VERSION**

01:2014-07-02  
 02:2014-07-18  
 03:2014-07-21  
 04:2014-07-23  
 05:2014-07-24  
 06:2014-07-24  
 07:2014-07-29  
 08:2014-07-31  
 09:2014-08-04  
 10:2014-08-06  
 11:2014-08-06  
 12:2014-08-11  
 13:2014-08-20  
 14:2014-08-26

**STATUS**

**FINAL**



PART	COLOUR	TECHNIQUE	CHANGES / REMARKS
A	Philips logo	Pantone gray 4C	Silkscreen printing
B	Speaker Mesh	Pantone black U	Spray
C	Approbation logo and info. on bottom	Pantone gray 4C	Silkscreen printing
D	Sticker on bottom		Off set printing on transparent matte material with small label stick for serial number Sticker color same as bottom plate
E	Port cover	Pantone cool gray 11C	Laser carving
F	Button cover	Pantone cool gray 11C	Molding
1	BT	pantone cool gery 9C	Laser carving/Silkscreen printing