

Always there to help you

Register your product and get support at
www.philips.com/welcome



HTL2160/F7

User manual

PHILIPS

1 Important

Read and understand all instructions before you use your product. If damage is caused by failure to follow instructions, the warranty does not apply.

Help and support

Philips provides extensive online support. Visit our website at www.philips.com/support to:

- download the user manual and the quick start guide
- watch video tutorials (available only for selected models)
- find answers to frequently answered questions (FAQs)
- email us a question
- chat with our support representative.

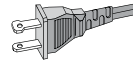
Follow the instructions on the website to select your language, and then enter your product model number.

Alternatively, you can contact Philips Consumer Care in your country. Before you contact Philips, note down the model number and serial number of your product. You can find this information on the back or bottom of your product.

Important safety instructions

- **Read these instructions.**
- **Keep these instructions.**
- **Heed all warnings.**
- **Follow all instructions.**
- **Do not use this apparatus near water.**
- **Clean only with dry cloth.**
- **Do not block any ventilation openings.**
- **Install in accordance with the manufacturer's instructions.**
- **Do not install near any heat sources** such as radiators, heat registers, stoves, or

other apparatus (including amplifiers) that produce heat.



- **Do not defeat the safety purpose** of the polarized or grounding-type plug. A polarized plug has two blades with one wider than the other. A grounding type plug has two blades and a third grounding prong. The wide blade or the third prong are provided for your safety. If the provided plug does not fit into your outlet, consult an electrician for replacement of the obsolete outlet.
- **Protect the power cord** from being walked on or pinched, particularly at plugs, convenience receptacles, and the point where they exit from the apparatus.
- **Only use attachments/accessories** specified by the manufacturer.



- **Use only with the cart,** stand, tripod, bracket or table specified by the manufacturer or sold with the apparatus. When a cart is used, use caution when moving the cart/apparatus combination to avoid injury from tip-over.
- **Unplug this apparatus** during lightning storm or when unused for long periods of time.
- **Refer all servicing** to qualified service personnel. Servicing is required when the apparatus has been damaged in any way, such as power-supply cord or plug is damaged, liquid has been spilled or objects have fallen into the apparatus, the apparatus has been exposed to rain or moisture, does not operate normally, or has been dropped.
- **Battery usage CAUTION** - To prevent battery leakage which may result in bodily injury, property damage, or damage to the unit:

- Install **all** batteries correctly, + and - as marked on the unit.
- Do not mix batteries (**old and new** or **carbon** and **alkaline**, etc.).
- Remove batteries when the unit is not used for a long time.
- The batteries shall not be exposed to excessive heat such as sunshine, fire or the like.
- Perchlorate Material - special handling may apply. See www.dtsc.ca.gov/hazardouswaste/perchlorate.
- The product/remote control may contain a coin/button type battery, which can be swallowed. Keep the battery out of reach of children at all times! If swallowed, the battery can cause serious injury or death. Severe internal burns can occur within two hours of ingestion.
- If you suspect that a battery has been swallowed or placed inside any part of the body, seek immediate medical attention.
- When you change the batteries, always keep all new and used batteries out of reach of children. Ensure that the battery compartment is completely secure after you replace the battery.
- If the battery compartment cannot be completely secured, discontinue use of the product. Keep out of reach of children and contact the manufacturer.
- **Apparatus shall not be exposed to dripping or splashing.**
- **Do not place any sources of danger on the apparatus** (for example. liquid filled objects, lighted candles).
- This apparatus may contain lead and mercury. Dispose according to local, State or Federal laws. For disposal or recycling information, please contact your local authorities. For additional assistance on recycling options, please contact www.mygreenelectronics.com or www.eiae.org or www.recycle.philips.com.
- Where the MAINS plug or an appliance coupler is used as the disconnect device,

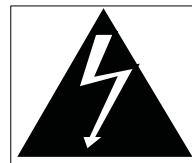
the disconnect device shall remain readily operable.

- Do not place this apparatus on the furniture that is capable of being tilted by a child and an adult leaning, pulling, standing or climbing on it. A falling apparatus can cause serious injury or even death.
- This apparatus should not be placed in a built-in installation such as a bookcase or rack unless proper ventilation is provided. Make sure to leave a space of 7.8 inches (20cm) or more around this apparatus.

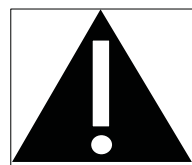
Class II equipment symbol



This symbol indicates that the unit has a double insulation system.



This 'bolt of lightning' indicates uninsulated material within your unit may cause an electrical shock. For the safety of everyone in your household, please do not remove product covering.



The 'exclamation point' calls attention to features for which you should read the enclosed literature closely to prevent operating and maintenance problems.

WARNING: To reduce the risk of fire or electric shock, this apparatus should not be exposed to rain or moisture and objects filled with liquids, such as vases, should not be placed on this apparatus.

CAUTION: To prevent electric shock, match wide blade of plug to wide slot, fully insert.

Care for your product

Use only microfiber cloth to clean the product.

Care of the environment



Your product is designed and manufactured with high quality materials and components, which can be recycled and reused. Please visit www.recycle.philips.com for additional information on a recycling center in your area.

Never dispose of your product with other household waste. Please inform yourself about the local rules on the separate collection of electrical and electronic products and batteries. The correct disposal of these products helps prevent potentially negative consequences on the environment and human health.

The batteries supplied do not contain the heavy metals mercury and cadmium. Nevertheless, in many areas batteries may not be disposed of with your household waste. Please ensure you dispose of batteries according to local regulations.

For perchlorate material, special handling may apply. Visit www.dtsc.ca.gov/hazardouswaste/perchlorate.

2 Your SoundBar

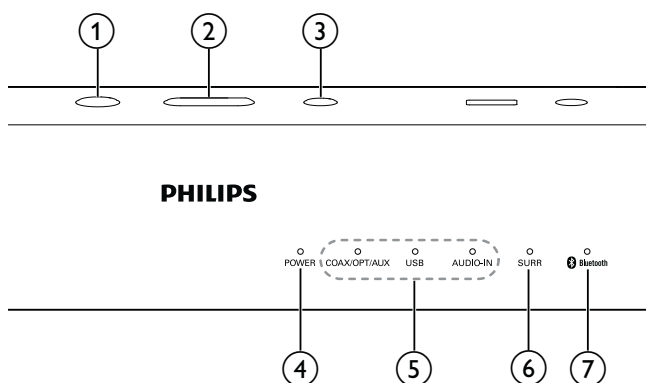
Congratulations on your purchase, and welcome to Philips! To fully benefit from the support that Philips offers, register your SoundBar at www.philips.com/welcome.

Assemble your Soundbar

Assemble your SoundBar as described in the quick start guide (Step 1).

Main unit

This section includes an overview of the main unit.



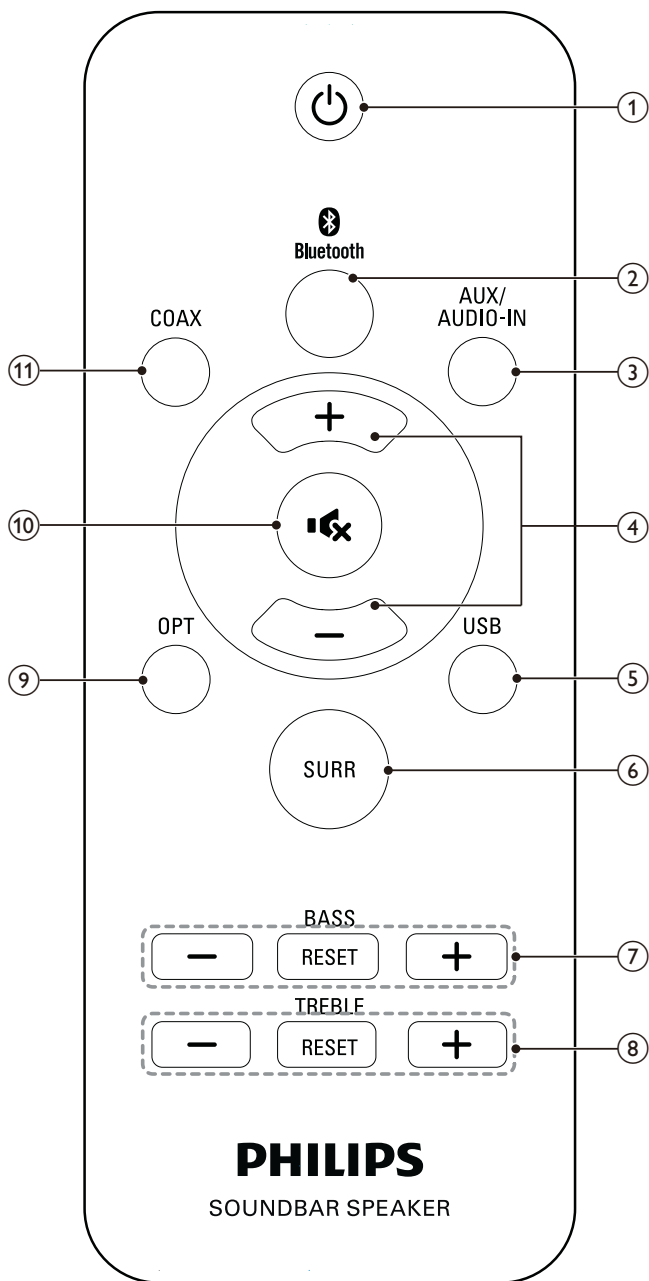
- ① **⏻**
Switch the SoundBar on or to standby.
- ② **VOLUME +/-**
Increase or decrease volume.
- ③ **SOURCE**
Select an audio source for the SoundBar.
- ④ **Power**
Lights up when you switch on the SoundBar.
- ⑤ **Source indicators**
 - **COAX/OPT/AUX:** Lights up when you switch to coaxial, optical or analog audio input source.

- **USB:** Lights up when you switch to the USB source.
- **AUDIO-IN:** Lights up when you switch to the audio input source.

- ⑥ **SURRE**
Lights up when you select Virtual Surround sound.
- ⑦ **Bluetooth**
Lights up when you switch to the Bluetooth mode.

Remote control

This section includes an overview of the remote control.



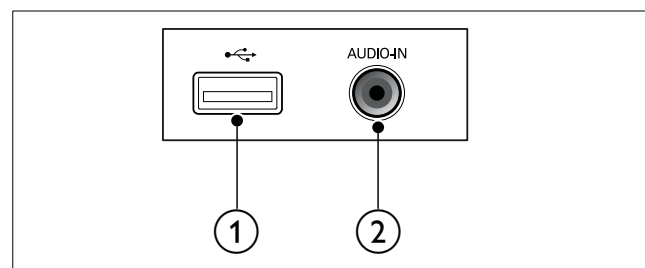
- ⑥ **SURR**
Toggle between stereo and virtual surround sound.
- ⑦ **BASS +/- / RESET**
 - Increase or decrease bass.
 - Reset your bass level to the default settings programmed at the factory.
- ⑧ **TREBLE +/- / RESET**
 - Increase or decrease treble.
 - Reset your treble level to the default settings programmed at the factory.
- ⑨ **OPT**
Switch your audio source to the optical connection.
- ⑩ **🔇**
Mute or restore volume.
- ⑪ **COAX**
Switch your audio source to the coaxial connection.

- ① **⏻ (Standby-On)**
Switch the SoundBar on or to standby.
- ② **Bluetooth**
Switch to Bluetooth mode.
- ③ **AUX/AUDIO-IN**
Switch your audio source to the AUX or audio input connection.
- ④ **+/-**
Increase or decrease volume.
- ⑤ **USB**
Switch your audio source to the USB connection.

Connectors

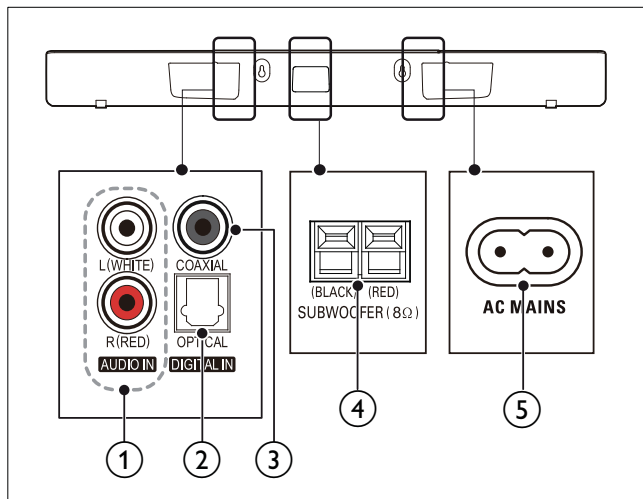
This section includes an overview of the connectors available on your SoundBar.

Top connectors



- ① **🔌 (USB)**
Audio input from a USB storage device.
- ② **AUDIO-IN**
Audio input from an MP3 player (3.5mm jack).

Rear connectors



- ① AUDIO IN**
Connect to an analog audio output on the TV or an analog device.
- ② DIGITAL IN-COAXIAL**
Connect to a coaxial audio output on the TV or a digital device.
- ③ DIGITAL IN-OPTICAL**
Connect to an optical audio output on the TV or a digital device.
- ④ SUBWOOFER**
Connect to the supplied subwoofer.
- ⑤ AC MAINS~**
Connect to the power supply.

3 Connect

This section helps you connect your SoundBar to a TV and other devices.

For information about the basic connections of your SoundBar and accessories, see the quick start guide.

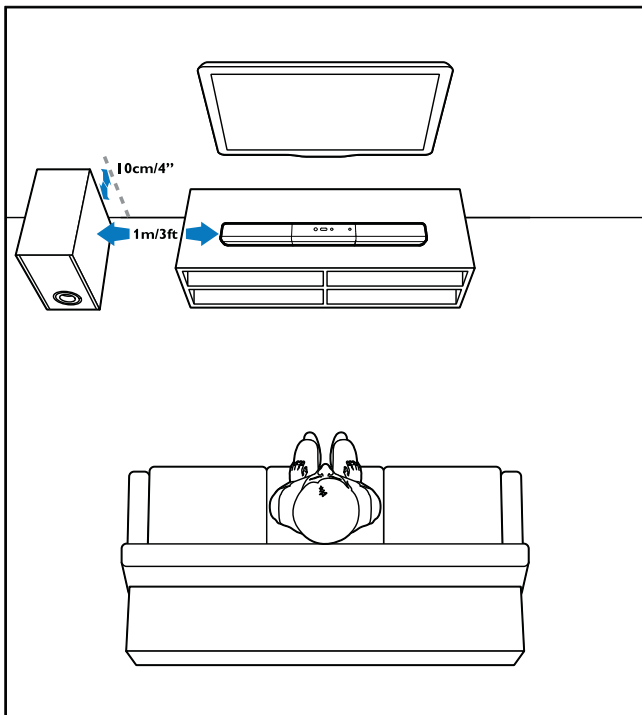
Note

- For identification and supply ratings, refer to the type plate at the back or bottom of the product.
- Before you make or change any connections, make sure that all devices are disconnected from the power outlet.

Placement

Place the subwoofer at least 1 meter (3 feet) away from your SoundBar, and ten centimeters away from the wall.

For best results, place your subwoofer as shown below.



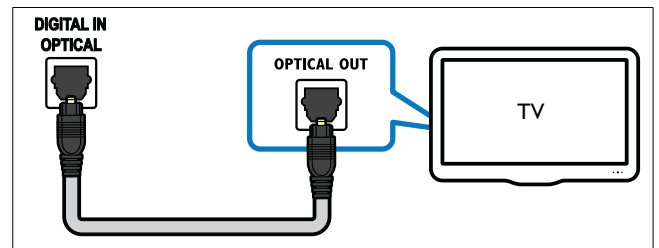
Connect audio from TV and other devices

Play audio from TV or other devices through your Soundbar speakers.

Use the best quality connection available on your TV, Soundbar, and other devices.

Option 1: Connect audio through a digital optical cable

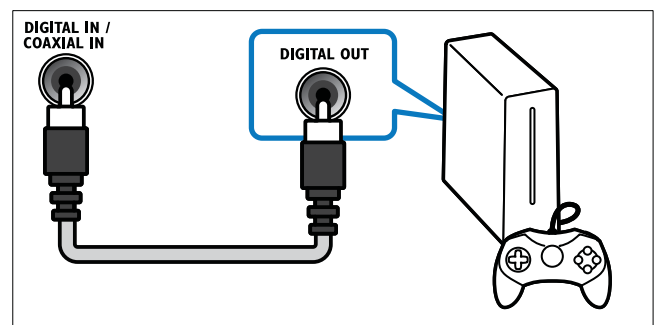
Best quality audio



- 1 Using an optical cable, connect the **OPTICAL** connector on your SoundBar to the **OPTICAL OUT** connector on the TV or other device.
 - The digital optical connector might be labeled **SPDIF** or **SPDIF OUT**.

Option 2: Connect audio through a digital coaxial cable

Best quality audio



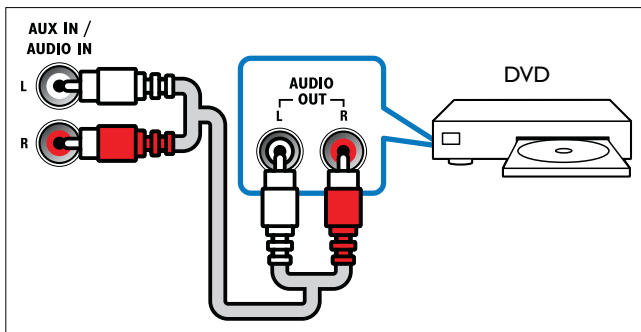
- 1 Using a coaxial cable, connect the **COAXIAL** connector on your SoundBar to the **COAXIAL/DIGITAL OUT** connector on the TV or other device.

- The digital coaxial connector might be labeled **DIGITAL AUDIO OUT**.

Option 3: Connect audio through analog audio cables

Basic quality audio

- 1 Using an analog cable, connect the **AUX** connectors on your SoundBar to the **AUDIO OUT** connectors on the TV or other device.



4 Use your SoundBar

This section helps you use the SoundBar to play audio from connected devices.

Before you start

- Make the necessary connections described in the quick start guide or download the user manual from www.philips.com/support.
- Switch the SoundBar to the correct source for other devices.

Adjust the volume

- 1 Press **+/-** to increase or decrease a volume level.
 - To mute sound, press **MUTE**.
 - To restore the sound, press **MUTE** again or press **+/-**.

↳ All **Source indicators** on the main unit blink twice when a volume is set to the maximum or minimum value.

Choose your sound

This section helps you choose the ideal sound for your video or music.

Surround sound mode

Experience an immersive audio experience with surround sound modes.

- 1 Press **SURR** to select a surround mode.
 - **[Virtual Surround]**: Creates a highly surround listening experience. The **SURR** indicator on the main unit lights up.
 - **[Stereo]**: Two-channel stereo sound. Ideal for listening to music.

Equalizer

Change the high frequency (treble) and low frequency (bass) settings of the SoundBar.

- 1 Press **TREBLE +/-** or **BASS +/-** to change the frequency.
 - Press **RESET** to reset your treble/bass level to the default settings programmed at the factory.

↳ All **Source indicators** on the main unit blink twice when treble or bass is set to the maximum or minimum value.

MP3 player

Connect your MP3 player to play your audio files or music.

What you need

- An MP3 player.
 - A 3.5mm stereo audio cable.
- 1 Using the 3.5mm stereo audio cable, connect the MP3 player to the **AUDIO-IN** connector on your SoundBar.
 - 2 Press **AUDIO-IN**.
 - 3 Press the buttons on the MP3 player to select and play audio files or music.

USB storage devices

Enjoy audio on a USB storage device, such as an MP3 player and USB flash memory, etc.

What you need

- A USB storage device that is formatted for FAT file systems, and complies with the Mass Storage Class.
- An MP3 or WMA file on a USB storage device

Note

- Your SoundBar supports MP3 and WMA files only.
- If you use a USB extension cable, USB HUB, or USB multi-reader, the USB storage device may not be recognized.

- 1 Connect a USB storage device to the SoundBar.
- 2 Press **USB** on the remote control.
 - ↳ The play starts after a few seconds

Auto standby

When playing media from a connected device, the SoundBar automatically switches to standby if:

- no button is pressed for 15 minutes, and
- no audio play from a connected device.

Play audio through Bluetooth

Through Bluetooth, connect the SoundBar with your Bluetooth device (such as an iPad, iPhone, iPod touch, Android phone, or laptop), and then you can listen to the audio files stored on the device through your SoundBar speakers.

What you need

- A Bluetooth device which supports Bluetooth profile A2DP, and with Bluetooth version as 2.1 + EDR.
- The operational range between the SoundBar and a Bluetooth device is approximately 10 meters (30 feet).

- 1 Press **Bluetooth** on the remote control to switch the SoundBar to Bluetooth mode.
 - ↳ The **Bluetooth** indicator blinks at a fast rate.
- 2 On the Bluetooth device, switch on Bluetooth, search for and select **Philips HTL2160** to start connection (see the user manual of the Bluetooth device on how to enable Bluetooth).

- When prompted for a password, enter "0000".
 - ↳ During connection, the indicator blinks at a lower rate.

- 3 Wait until you hear a beep sound from the SoundBar.
 - ↳ When the Bluetooth connection succeeds, and the **Bluetooth** indicator lights up.
 - ↳ If the connection fails, the **Bluetooth** indicator blinks continually at a lower rate.
- 4 Select and play audio files or music on your Bluetooth device.
 - During play, if a call is coming, music play is paused. Play resumes when the call ends.
- 5 To exit Bluetooth, select other source.
 - When your switch back to Bluetooth mode, Bluetooth connection remains active.

Note

- The music streaming may be interrupted by obstacles between the device and SoundBar, such as wall, metallic casing that covers the device, or other devices nearby that operate in the same frequency.
- If you want to connect your SoundBar with another Bluetooth device, disable the currently connected Bluetooth device.
- Philips does not guarantee 100% compatibility with all Bluetooth devices.

Apply factory settings

You can reset your SoundBar to the default settings programmed at the factory.

- 1 In mute mode, quickly press **AUX** twice.
 - ↳ The factory settings is restored.

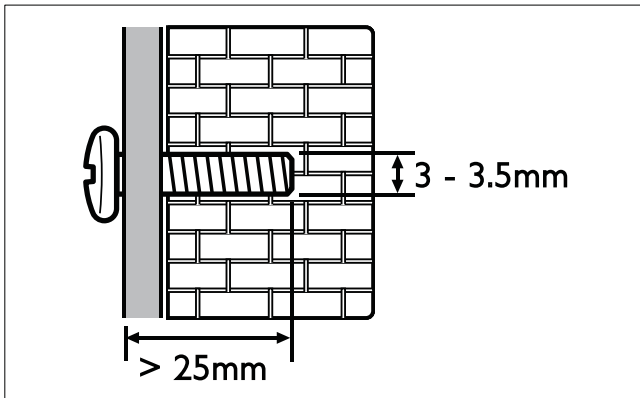
5 Wall mount

Note

- Koninklijke Philips Electronics N.V. bears no responsibility for improper wall mounting that results in accident, injury or damage. If you have any query, contact Philips Consumer Care in your country.
- Before wall mounting, make sure the wall can support the weight of your SoundBar.

Screw length/diameter

Depending on the type of wall mounting your SoundBar, make sure that you use screws of a suitable length and diameter:



For information about how to wall mount your SoundBar, see the quick start guide.

6 Product specifications

Note

- Specifications and design are subject to change without notice.

Amplifier

- Total output power: 40W RMS (+/- 0.5 dB, 10% THD)
- Frequency response: 20 Hz-20 kHz / ± 3 dB
- Signal-to-noise ratio: > 65 dB (CCIR) / (A-weighted)
- Input sensitivity:
 - AUX: 2 V
 - AUDIO-IN: 1V

Audio

- S/PDIF Digital audio input:
 - Coaxial: IEC 60958-3
 - Optical: TOSLINK

USB

- Compatibility: Hi-Speed USB (2.0)
- Class support: USB Mass Storage Class (MSC)
- File system: FAT16 and FAT32
- Supports MP3 and WMA file formats

Bluetooth

- Bluetooth profiles: A2DP
- Bluetooth version: 2.1 + EDR

Main unit

- Power supply: 110-240 V~, 50 Hz - 60 Hz

- Power consumption: 30 W
- Standby power consumption: ≤ 0.5 W
- Speaker impedance: 8 ohm (Tweeter), 4 ohm (Woofer)
- Frequency response: 160 Hz-20 kHz
- Dimensions (WxHxD): 800 x 75.6 x 52.4 mm
- Weight: 3.84 kg
- Operating temperature and humidity: 0°C to 40°C, 5% to 90% Humidity for all climates
- Storage temperature and humidity: -40 °C to 70 °C, 5% to 95%

Subwoofer

- Impedance: 8 ohm
- Speaker drivers: 130 mm (5.25") woofer
- Frequency response: 50 Hz-200 Hz
- Dimensions (WxHxD): 165 x 240 x 295 mm
- Weight: 2.6 kg
- Cable length: 3 m

Remote control batteries

- 1 x AAA-R03-1.5 V

7 Troubleshooting



Warning

- Risk of electric shock. Never remove the casing of the product.

To keep the warranty valid, never try to repair the product yourself.

If you have problems using this product, check the following points before you request service. If you still have a problem, get support at www.philips.com/support.

Main unit

The buttons on the SoundBar do not work.

- Disconnect the SoundBar from the power supply for a few minutes, then reconnect.

Sound

No sound from SoundBar speakers.

- Connect the audio cable from your SoundBar to your TV or other devices.
- Reset your SoundBar to its factory settings.
- On the remote control, select the correct audio input.
- Make sure that the SoundBar is not muted.

Distorted sound or echo.

- If you play audio from the TV through the SoundBar, make sure that the TV is muted.

Bluetooth

A device cannot connect with the SoundBar.

- The device does not support the compatible profiles required for the SoundBar.
- You have not enabled the Bluetooth function of the device. See the user manual of the device on how to enable the function.

- The device is not correctly connected. Connect the device correctly. (see 'Play audio through Bluetooth' on page 10)
- The SoundBar is already connected with another Bluetooth device. Disconnect the connected device, then try again.

Quality of audio play from a connected Bluetooth device is poor.

- The Bluetooth reception is poor: Move the device closer to the SoundBar, or remove any obstacle between the device and the SoundBar.

The connected Bluetooth device connects and disconnects constantly.

- The Bluetooth reception is poor: Move the device closer to the SoundBar, or remove any obstacle between the device and the SoundBar.
- Turn off Wi-Fi function on the Bluetooth device to avoid interference.
- For some Bluetooth, the Bluetooth connection can be deactivated automatically to save power. This does not indicate any malfunction of the SoundBar.

8 Notice

This section contains the legal notices.

Notice of compliance

The device complies with the FCC rules, Part 15 and with 21 CFR 1040.10. Operation is subject to the following two conditions:

- ① **This device may not cause harmful interference, and**
- ② **This device must accept any interference received, including interference that may cause undesired operation.**

FCC rules

This equipment has been tested and found to comply with the limits for a Class B digital device, pursuant to part 15 of the FCC Rules. These limits are designed to provide reasonable protection against harmful interference in a residential installation. This equipment generates, uses and can radiate radio frequency energy and, if not installed and used in accordance with the instruction manual, may cause harmful interference to radio communications. However, there is no guarantee that interference will not occur in a particular installation. If this equipment does cause harmful interference to radio or television reception, which can be determined by turning the equipment off and on, the user is encouraged to try to correct the interference by one or more of the following measures:

- Relocate the receiving antenna.
- Increase the separation between equipment and receiver.
- Connect the equipment into an outlet on a circuit different from that to which the receiver is connected.
- Consult the dealer or an experienced radio/TV technician for help.

FCC Radiation Exposure Statement: This equipment complies with FCC radiation exposure limits set forth for an uncontrolled environment. This equipment should be installed and operated with a minimum distance of 20cm between the radiator and your body. This transmitter must not be co-located or operated in conjunction with any other antenna or transmitter.

Warning: Changes or modifications made to this equipment not expressly approved by Philips may void the FCC authorization to operate this equipment.

Model number: PHILIPS HTL2160/F7

Trade Name: Philips

Responsible Party: P&F USA, Inc. PO Box 2248 Alpharetta, GA 30023-2248; 1-866-309-0846

Canada:

This device complies with Industry Canada licence-exempt RSS standard(s). Operation is subject to the following Two conditions: (1) this device may not cause harmful interference, and (2) this device must accept any interference received, including interference that may cause undesired operation.

This Class B digital apparatus complies with Canadian ICES-003.

Trademarks



Manufactured under license from Dolby Laboratories. Dolby and the double-D symbol are trademarks of Dolby Laboratories.

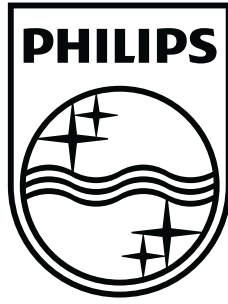


The Bluetooth® word mark and logos are registered trademarks owned by Bluetooth SIG, Inc. and any use of such marks by Philips is under license.

Le présent appareil est conforme aux CNR d'Industrie Canada applicables aux appareils radio exempts de licence. L'exploitation est autorisée aux deux conditions suivantes : (1) l'appareil ne doit pas produire de brouillage, et (2) l'utilisateur de l'appareil doit accepter tout brouillage radioélectrique subi, même si le brouillage est susceptible d'en compromettre le fonctionnement.

The device meets the exemption from the routine evaluation limits in section 2.5 of RSS 102 and compliance with RSS-102 RF exposure, users can obtain Canadian information on RF exposure and compliance.

Le dispositif rencontre l'exemption des limites courantes d'évaluation dans la section 2.5 de RSS 102 et la conformité à l'exposition de RSS-102 rf, utilisateurs peut obtenir l'information canadienne sur l'exposition et la conformité de rf.



Specifications are subject to change without notice
© 2012 Koninklijke Philips Electronics N.V.
All rights reserved.

Document order number: 000000000000

