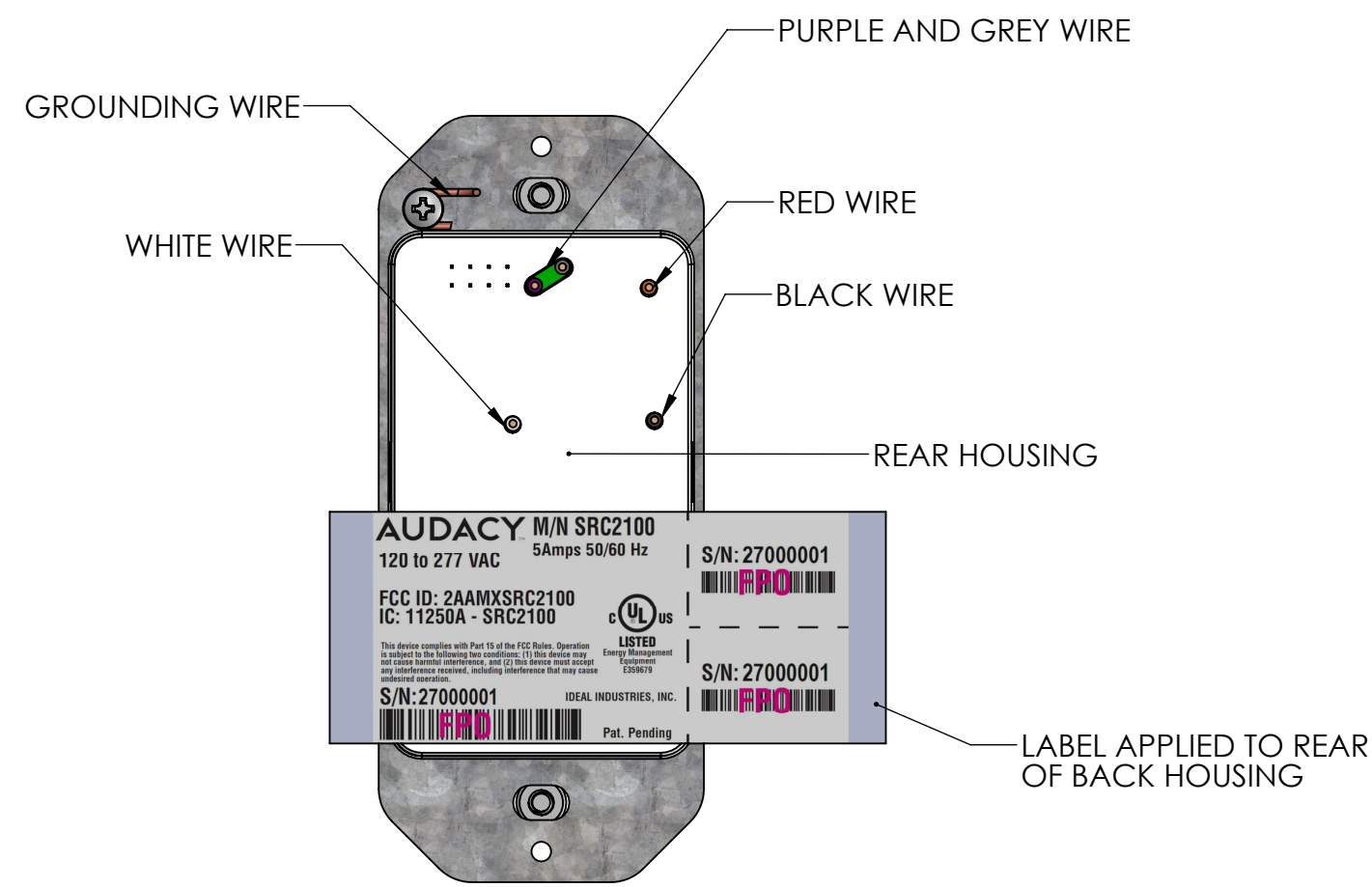
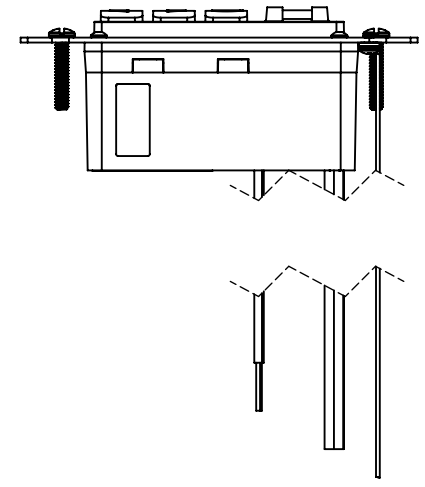
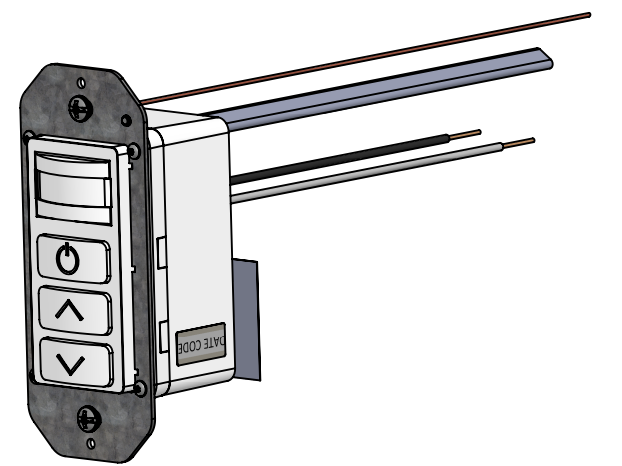
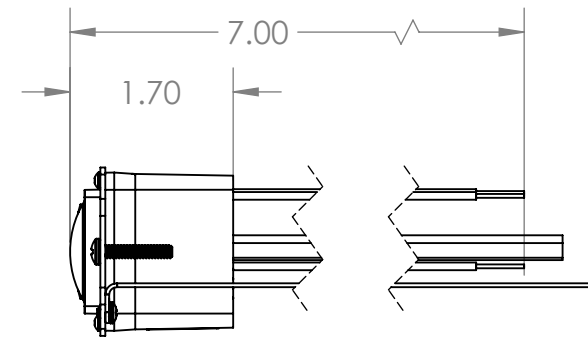
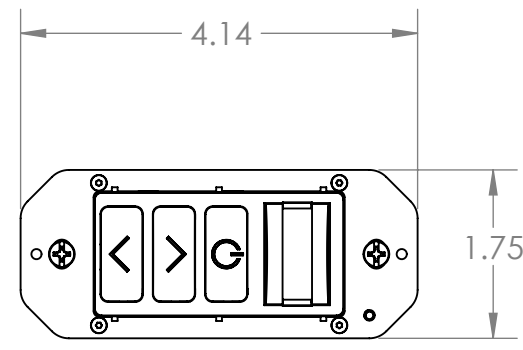


NOTES:
GENERAL APPEARANCE AND DIMENSIONS



AUDACY M/N SRC2100
120 to 277 VAC 5Amps 50/60 Hz
FCC ID: 2AAMXSRC2100
IC: 11250A - SRC2100
S/N: 27000001
S/N: 27000001
IDEAL INDUSTRIES, INC.
Pat. Pending

					<p align="center">-- PROPRIETARY DESIGN - "CONFIDENTIAL" --</p> <p align="center">ALL INFORMATION CONTAINED ON THIS DRAWING IS CONFIDENTIAL AND THE SOLE PROPERTY OF IDEAL INDUSTRIES, INC. UNAUTHORIZED COPYING OR DISTRIBUTION OF THIS DOCUMENT IS STRICTLY PROHIBITED.</p> <p align="center">-- UNLESS OTHERWISE SPECIFIED:</p> <p align="center">THIS DRAWING BASED ON ANSI Y 14.5 SURFACE FINISH 125 ✓ ON MACHINED SURFACES. DIMENSIONS SYMMETRICAL ABOUT CENTER LINE WHERE APPLICABLE ON PLATED PARTS. ALL DIMENSIONAL LIMITS APPLY AFTER PLATING. DIMENSIONS OF MOLDED PARTS ARE FOR FINISHED PART. NO ALLOWANCE HAS BEEN MADE FOR SHRINK.</p> <p align="center">-- HAZARDOUS SUBSTANCE CONTROL:</p> <p align="center">ANY PRODUCT OR PART THAT CONTAINS LEAD, HEXAVALENT CHROMIUM, MERCURY, CADMIUM, POLYBROMINATED BIPHENYLS, POLYBROMINATED DIPHENYL ETHERS, PENTABROMO-DIPHENYL ETHER, OR OCTABROMO-DIPHENYL ETHER MUST BE IN FULL COMPLIANCE WITH EUROPEAN UNION 2002/95/EC & 2003/11/EC DIRECTIVES.</p>		<p>TITLE: SINGLE ROOM CONTROLLER</p>			
					<p>DO NOT SCALE DRAWING</p>		<p>TOLERANCES UNLESS OTHERWISE SPECIFIED</p>		<p>PART VOLUME</p>	
					<p>- ALL DIMENSIONS IN INCHES. - REMOVE ALL BURRS. - BREAK ALL SHARP EDGES.</p>		<p>.00 ±.02 ANGLES ±0°30' .000 ±.005</p>		<p>CUBIC INCHES</p>	
					<p>DATE</p>		<p>BY</p>		<p>ENG</p>	
					<p>ECN NO.</p>		<p>SYM</p>		<p>ISS</p>	
					<p>IDEAL INDUSTRIES, INC. SYCAMORE, ILLINOIS, U.S.A.</p>		<p>SCALE: 1:4</p>		<p>DRW. BY: MRO</p>	
					<p>DATE: 8/9/2018</p>		<p>CKDBY:</p>		<p>APP. BY:</p>	
					<p>DRWG. NO.</p>		<p>8/9/2018</p>		<p>IA-6269</p>	