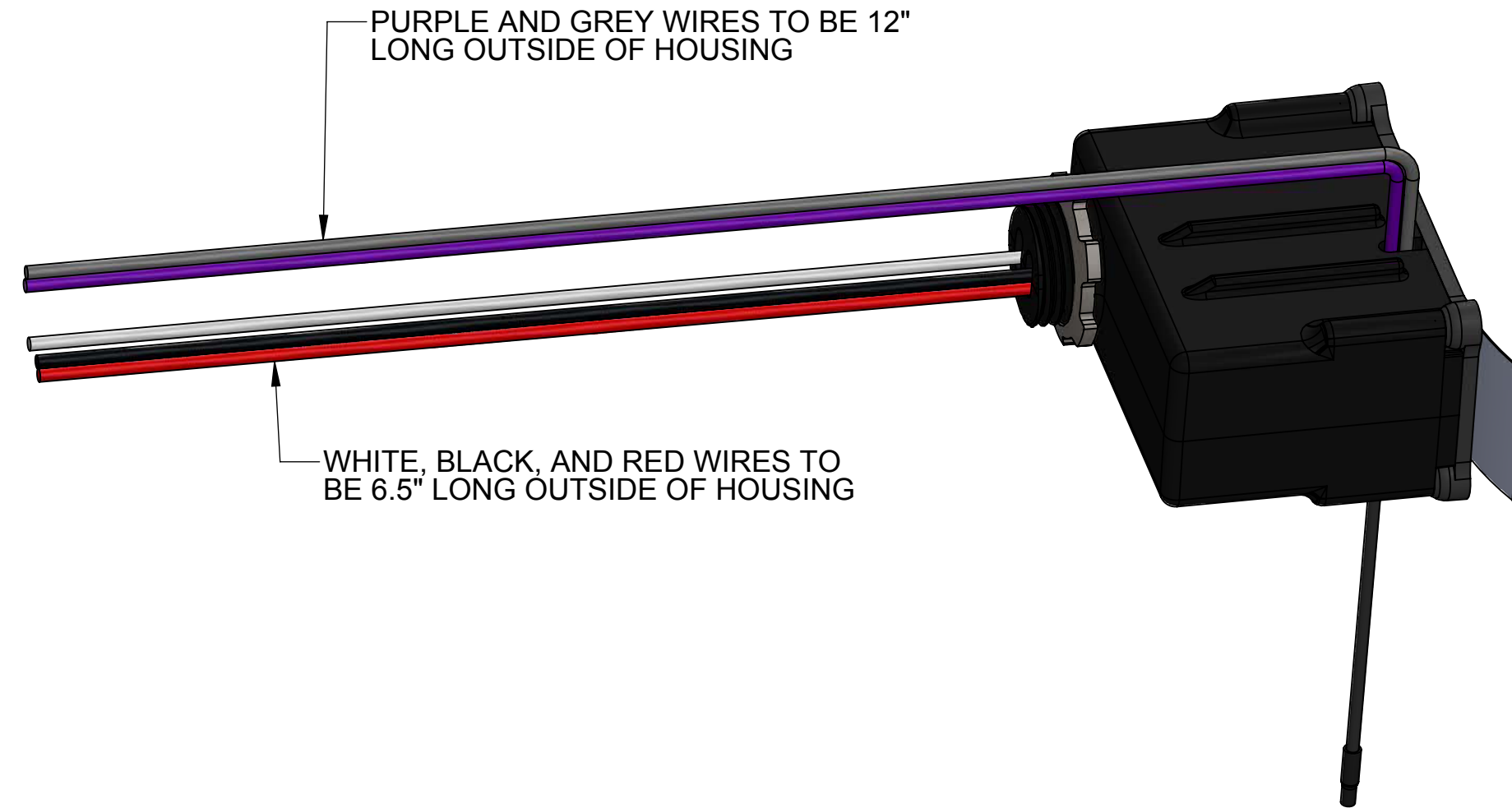


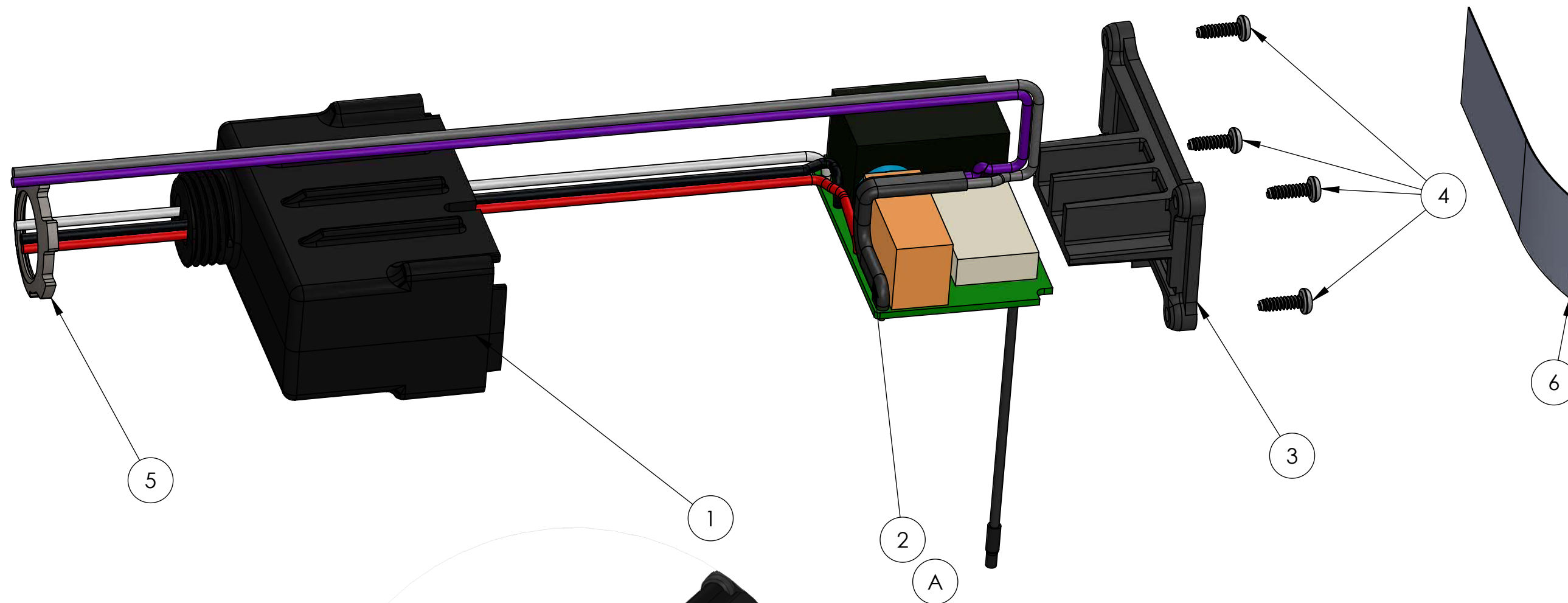
ITEM NO.	PART NUMBER	DESCRIPTION	QTY.
1	IA-6059	Housing, LED SMART CONNECTOR	1
2	KB-9897-SCLED	ASSEMBLY, PCB FOR LED SMART CONNECTOR	1
3	KB-9896	Cover, External Mount Controller	1
4	358.047	4-24 X 3/8 PAN HD SCREW	4
5	379.030	1/2" LOCK RING	1
6	ND-8053	PRODUCT IDENTIFICATION LABEL	1

(A)



PURPLE AND GREY WIRES TO BE 12" LONG OUTSIDE OF HOUSING

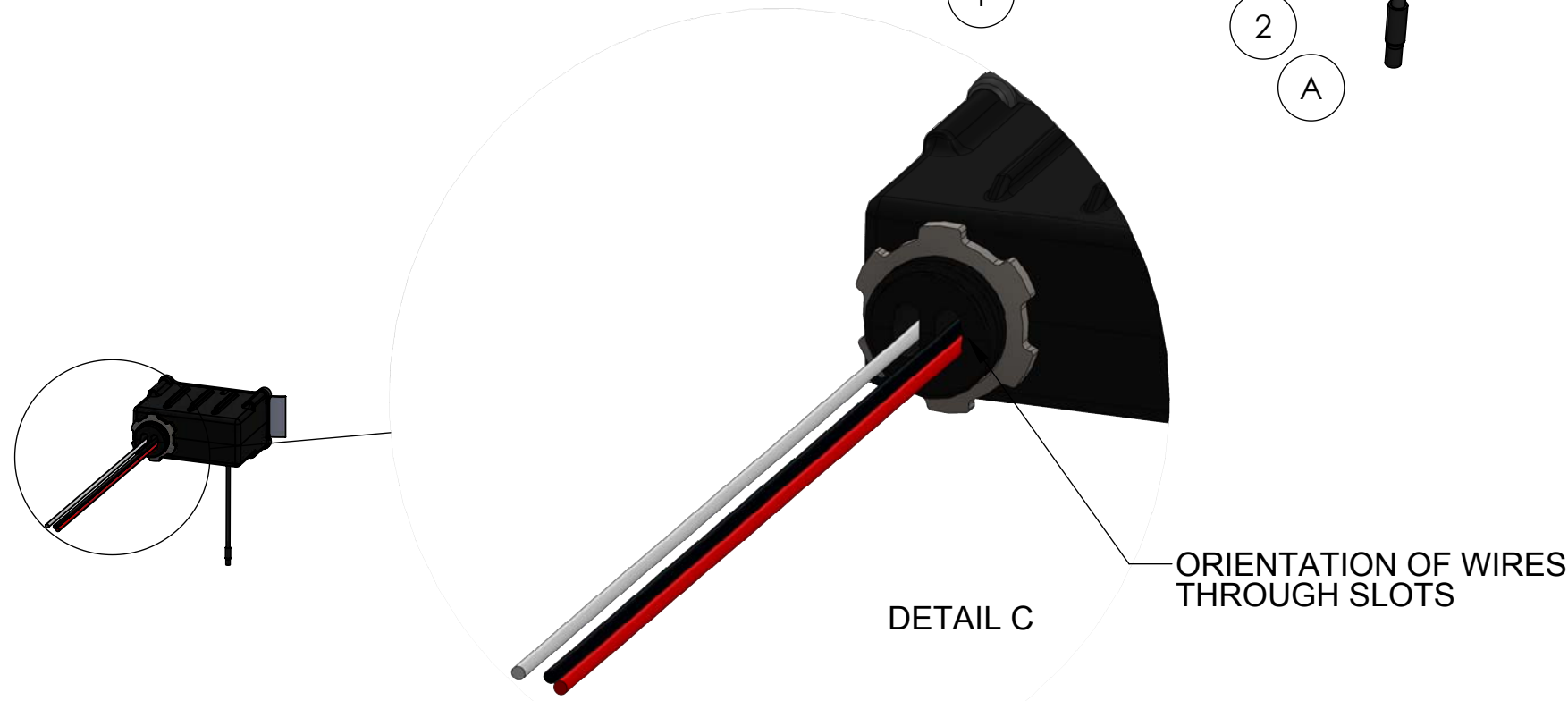
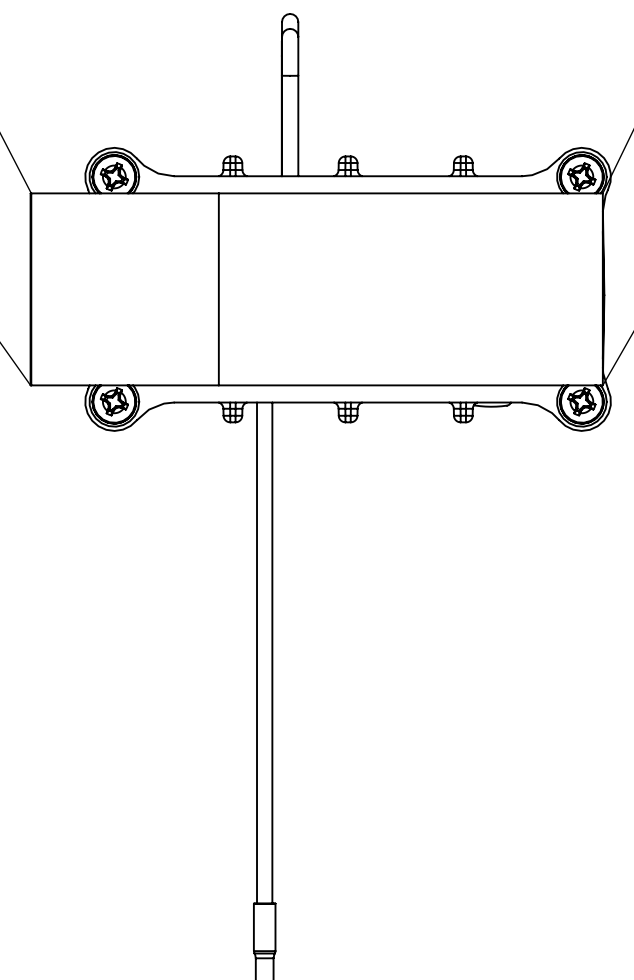
WHITE, BLACK, AND RED WIRES TO BE 6.5" LONG OUTSIDE OF HOUSING



IDEAL M/N: SCLED1000EM 5.0 AMP 50/60 Hz
120 to 277 VAC For Electronic Ballast only
FCC ID: 2AAMXSCD1000EM IC: 11250A-SCD1000EM
This device complies with Part 15 of the FCC Rules. Operation is subject to the following two conditions: (1) this device may not cause harmful interference, and (2) this device must accept any interference received, including interference that may cause undesired operation.

S/N: 02000001
S/N: 02000001

UL
Energy Management Equipment
E359679



ORIENTATION OF WIRES THROUGH SLOTS

DETAIL C

-- PROPRIETARY DESIGN - "CONFIDENTIAL" --						TITLE: ASSEMBLY, LED SMART CONNECTOR	
ALL INFORMATION CONTAINED ON THIS DRAWING IS CONFIDENTIAL AND THE SOLE PROPERTY OF IDEAL INDUSTRIES, INC. UNAUTHORIZED COPYING OR DISTRIBUTION OF THIS DOCUMENT IS STRICTLY PROHIBITED.						SCLED 1000	
THIS DRAWING BASED ON ANSI Y 14.5 SURFACE FINISH 12.5 ON MACHINED SURFACES DIMENSIONS SYMMETRICAL ABOUT CENTER LINE WHERE APPLICABLE ON PLATED PARTS ALL DIMENSIONAL LIMITS APPLY AFTER PLATING DIMENSIONS OF MOLDED PARTS ARE FOR FINISHED PART. NO ALLOWANCE HAS BEEN MADE FOR SHRINK.						MATL: SEE COMPONENT PARTS	
-- HAZARDOUS SUBSTANCE CONTROL --						FINISH:	
ANY PRODUCT OR PART THAT CONTAINS LEAD, HEXAVALENT CHROMIUM, MERCURY, CADMIUM, POLYBROMINATED BIPHENYLS, POLYBROMINATED DIPHENYL ETHERS, PENTABROMO-DIPHENYL ETHER, OR OCTABROMO-DIPHENYL ETHER MUST BE IN FULL COMPLIANCE WITH EUROPEAN UNION 2002/95/EC & 2003/11/EC DIRECTIVES.						SCALE: 1:1 DRW BY: MH CK BY: APP BY:	
DO NOT SCALE DRAWING.			TOLERANCES UNLESS OTHERWISE SPECIFIED		PART VOLUME		
- ALL DIMENSIONS IN INCHES.			.00 ±.02 ANGLES ±0°30'		CUBIC INCHES		
- REMOVE ALL BURRS.			.000 ±.005		DATE: 5-05-14 DRWG. NO. IA-6058		
- BREAK ALL SHARP EDGES.							
5-13-15	JES	CDG	21987	A	2	IDEAL INDUSTRIES, INC. SYCAMORE, ILLINOIS, U.S.A.	
5-05-14	MH	CG	EPRN 1155	-	1		
DATE	BY	ENG	ECN NO.	SYM	ISS		