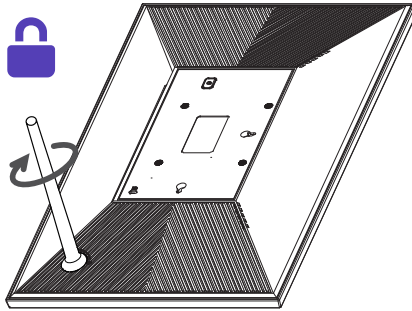


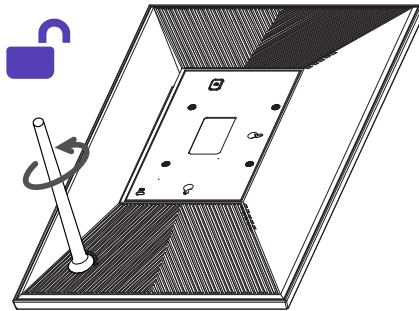
**Quick Guide**  
**Digital Photo Frame**



## FOR LANDSCAPE



- To install and remove the bracket, simply rotate the bracket as indicated by the icon and secure and release it from the slot.



## A LETTER TO OUR CUSTOMER

Thank you for the purchase of SGIN digital photo frame. Our frame supports multiple functions: in addition to viewing your photo albums in multiple modes, it also supports cloud transmission of shared photo albums shared by family and friends. You can also watch movies, listen to music, read e-books, and other functions. It just like a simple tablet.

## WARRANTY

All SGIN products come with a **30-days free return and exchange** & **24 monthly** warranty from the date of purchase. SGIN always insists on Customer First, Service First.

Therefore, please contact us without any hesitation if you have any issues. We'll do our best to make you 100% satisfied. Any of your words will be 100% respected, and the best service will be offered to you.

If you are going to complain or suggest something, please contact the following mailbox to get quick response:

**sgin-tech@sgin-service.com**

Any of your words will be 100% respected, and the best service will be offered to you.

## PRODUCT DESCRIPTION

To send photos to this frame, please download the Frameo application for ios or Android



Find the Frameo application  
by scanning this QR code:



**Android:** Search for "Frameo" on Play.

**IOS:** Search for "Frameo" on the App store.

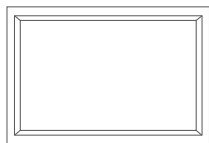
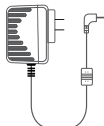


Photo Frame



AC Adapter

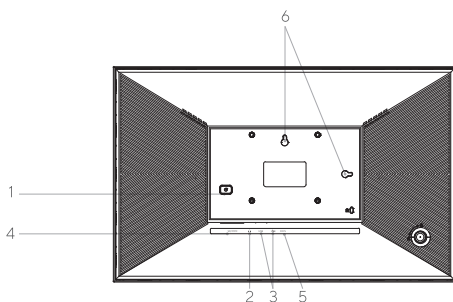


Quick Guide



Stand

## FRAME OVERVIEW



### 1. Power Button

After connecting the power adapter, the unit may be power on automatically for the first time.

When it is on, press and hold the power button for approximately 3 seconds to access reboot or power off menu. A short press on power button will turn off/on screen.

### 2. 3.5mm Audio Interface

3.5 mm audio equipment can be connected externally.

### 3. USB

Connect with a USB flash driver via OTG cable to transfer data. It can't import photos from USB disk to photo frame, can't copy photos from photo frame to USB disk, can't playback photos from USB disk directly.

\* Note: The micro USB port is only for OTG data transferring, not for charging.

### 4. Micro SD Card Slot

Load external micro SD memory cards here. Note: Consumer can import photos from micro SD card to photo frame, can copy photos from photo frame to micro SD card, but can't playback photos from micro SD card directly.

### 5. DC

Connect DC adapter to power on the device. The frame can only be used when **plugged in DC**.

### 6. Wall Mounting Holes

Use the screw to mount the frame on the wall, portrait, and landscape available.

## WARM TIPS

1. The frame doesn't support Auto Rotation but supports panoramic playback and puzzle playback. In the puzzle playback mode, up to 3 pictures can be played together (1 of the pictures can be replaced with a small video).
2. Precautions and Maintenance.
  - a. Do not expose the unit to moisture or condensation to avoid the risk of fire or electric shock.
  - b. Do not block the ventilation holes on the rear of the digital photo frame to avoid overheating. Keep the digital photo frame out of direct sunlight.
  - c. Do not disassemble the digital photo frame. Disassembling the digital photo frame will void your warranty.
3. Cleaning the LCD screen.
  - a. Treat the screen carefully. The screen of the digital photo frame is made of glass and it can be easily broken or be scratched.
  - b. If fingerprints or dust accumulate on the LCD screen, we recommend you use a soft cloth, to clean the screen.
  - c. Moisten the cleaning cloth with the cleaning solution; do not apply cleaning agent directly on the screen.

## ABOUT USER MANUAL

In order to comply with the environmental protection concept, we have prepared a detailed electronic User Manual and placed the file in the form of a QR code on our Main interface of the Photo Frame. Please scan the code with your mobile phone to view it.

## FCC STATEMENT

This equipment has been tested and found to comply with the limits for a Class B digital device, pursuant to part 15 of the FCC Rules. These limits are designed to provide reasonable protection against harmful interference in a residential installation. This equipment generates, uses and can radiate radio frequency energy and, if not installed and used in accordance with the instructions, may cause harmful interference to radio communications. However, there is no guarantee that interference will not occur in a particular installation. If this equipment does cause harmful interference to radio or television reception, which can be determined by turning the equipment off and on, the user is encouraged to try to correct the interference by one or more of the following measures:

- Reorient or relocate the receiving antenna.
- Increase the separation between the equipment and receiver.
- Connect the equipment into an outlet on a circuit different from that to which the receiver is connected.
- Consult the dealer or an experienced radio/TV technician for help.

Caution: Any changes or modifications to this device not explicitly approved by manufacturer could void your authority to operate this equipment.

This device complies with part 15 of the FCC Rules. Operation is subject to the following two conditions: (1) This device may not cause harmful interference, and (2) this device must accept any interference received, including interference

that may cause undesired operation.

This equipment complies with FCC radiation exposure limits set forth for an uncontrolled environment. This equipment should be installed and operated with minimum distance 20cm between the radiator & your body.









Made in China  
Version 1.0