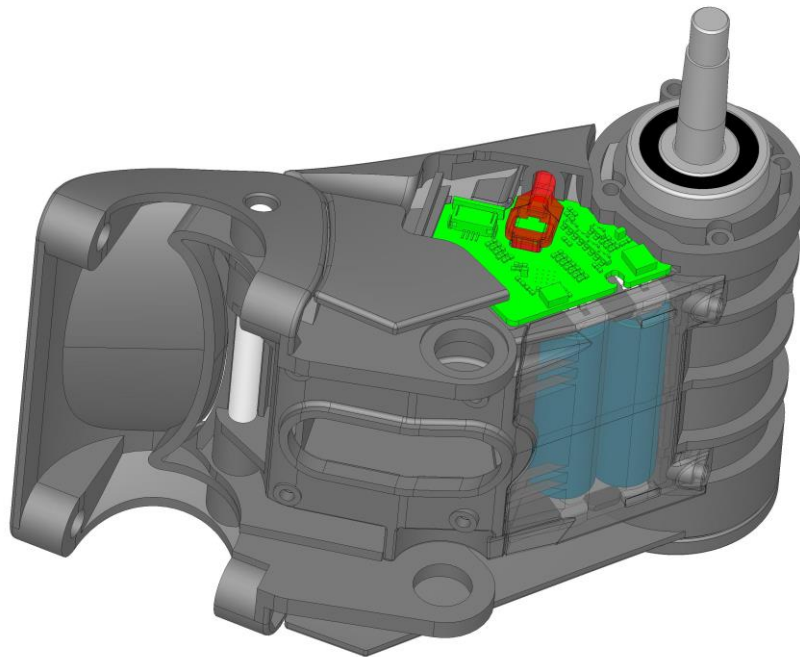


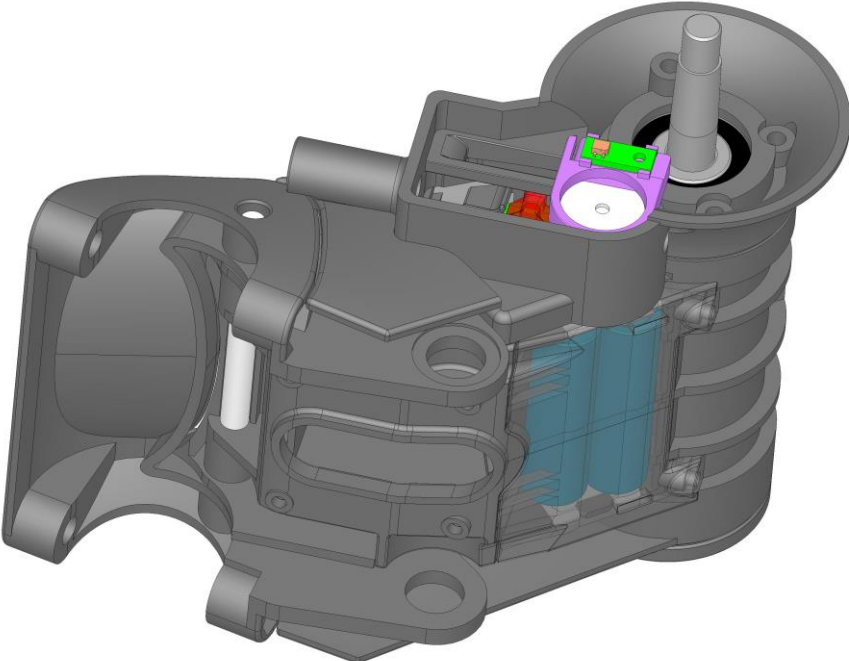
Tacx T2400 Satori smart

5 june 2014

Batteries and main PCB



Sensor PCB is connected with flex tail to main PCB



Sensor PCB and location of on switch

