



**Distributed by / Distribuido por:**

LIDL US, LLC, Arlington, VA 22202

Model No. / Modelo Núm.: HG09200-US

FCC ID: 2AAMA-SK-RF116TX

FCC ID: 2AAMA-SK-RF116RX

Version / Versión: 09/2022

Made in / Hecho en: China

IAN 423239\_2201



**SILVERCREST®**

**WIRELESS MOUSE SPC M1600 A1**

**USEN**

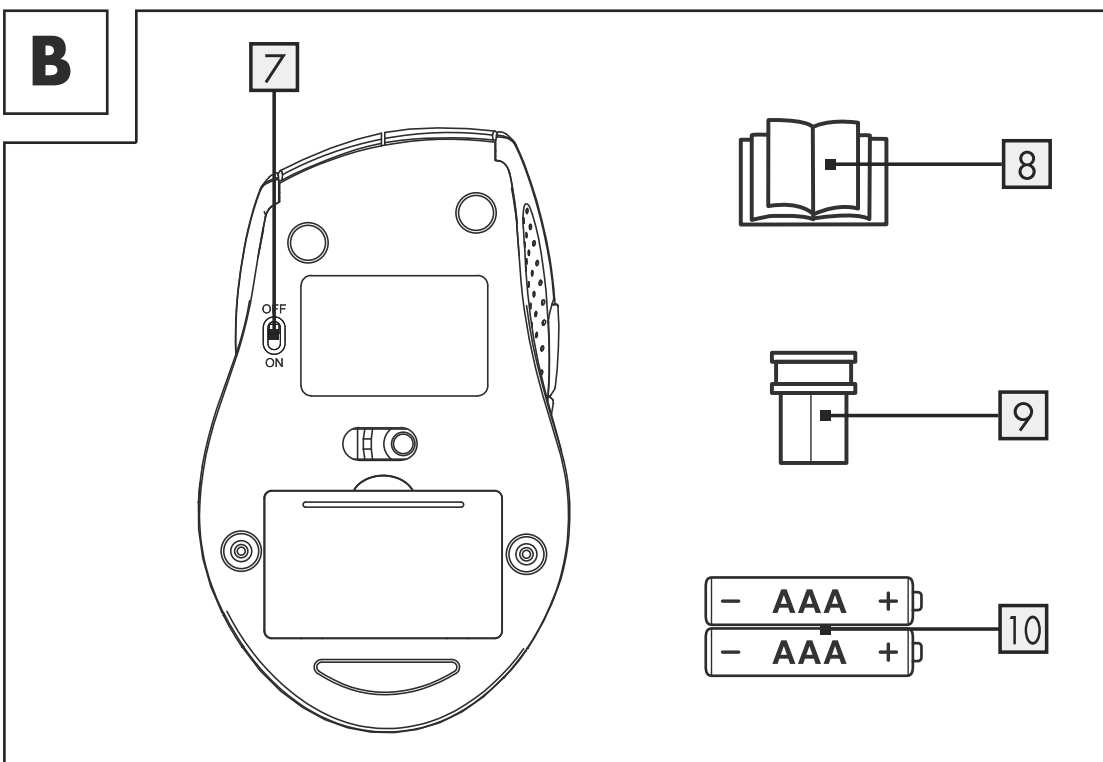
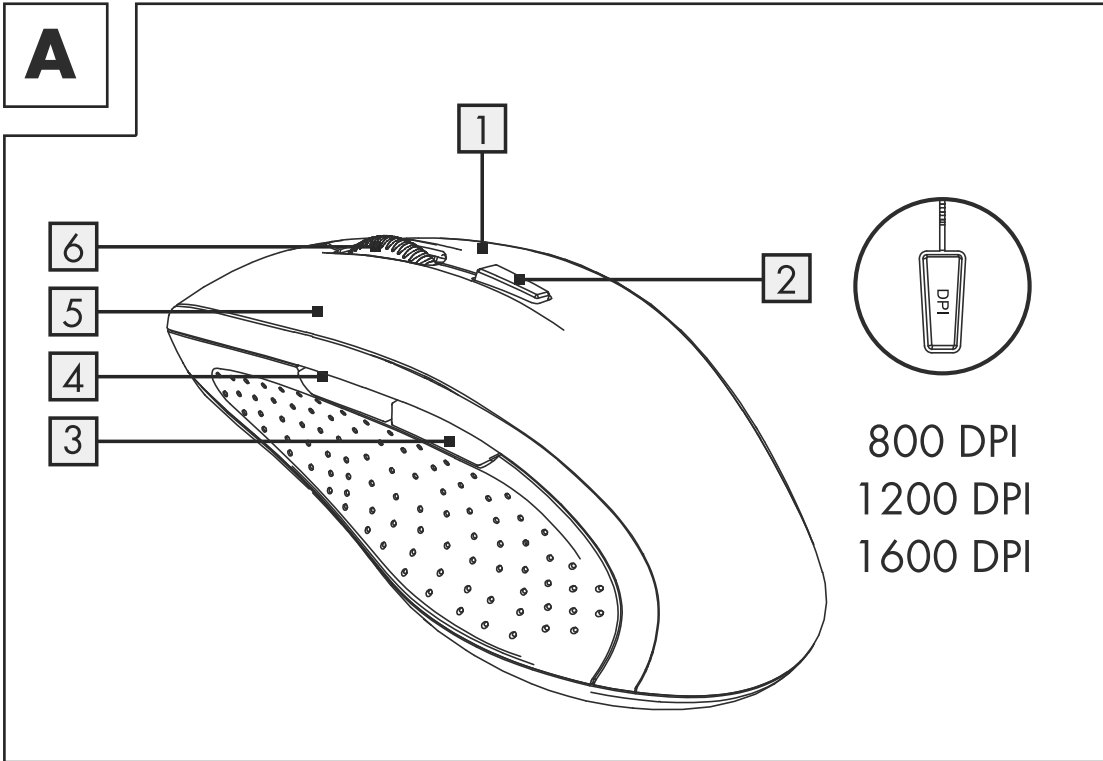
**WIRELESS MOUSE**

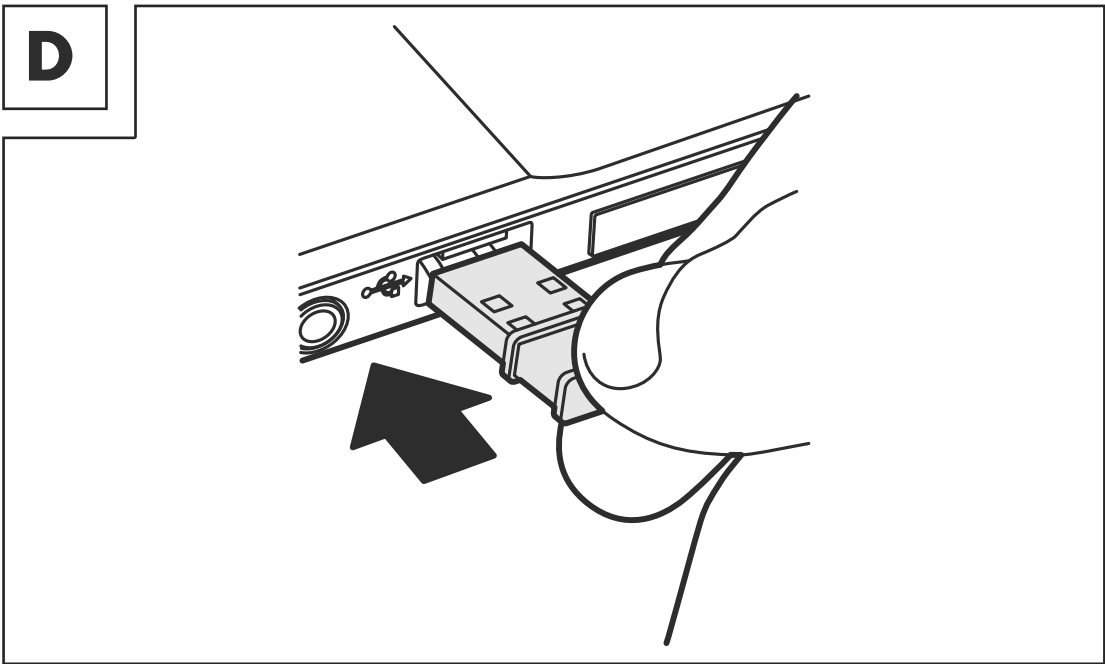
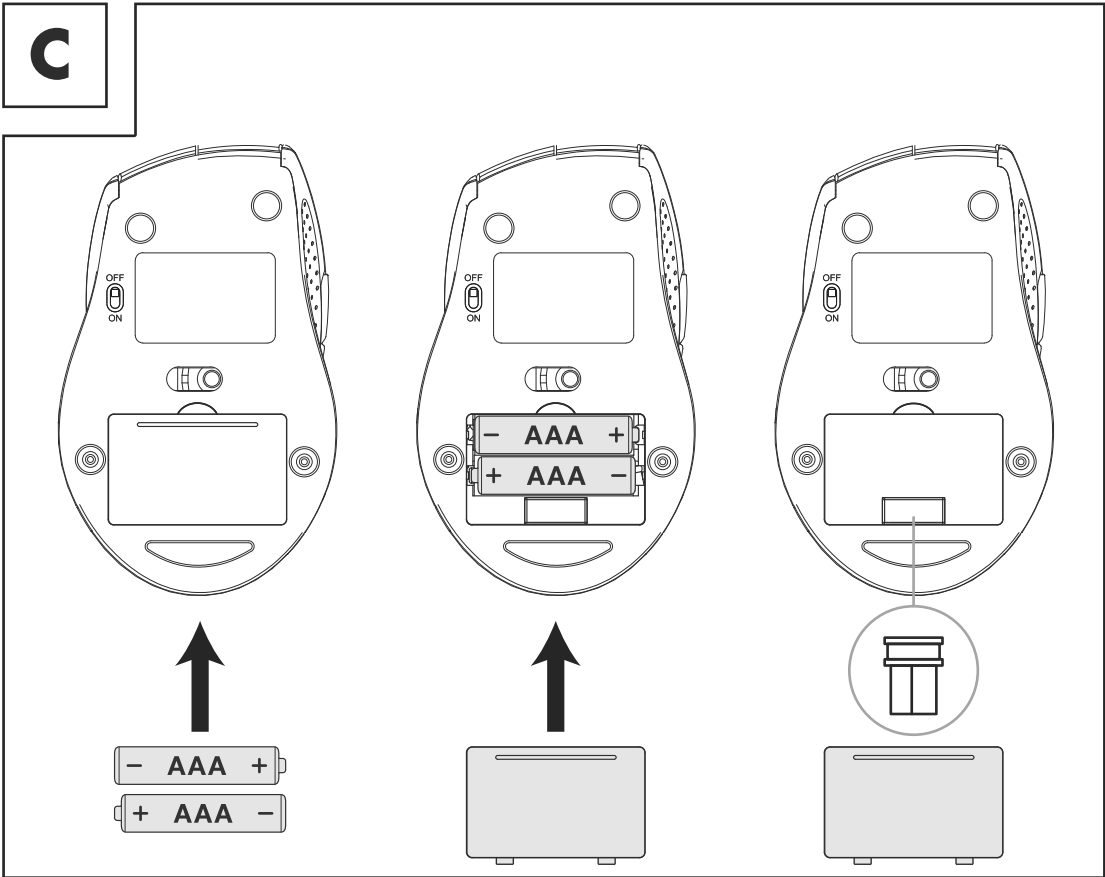
Operation and safety notes

IAN 423239\_2201

**US**







|  |      |    |
|--|------|----|
| <b>Description of signal words</b> ..... | Page | 6  |
| <b>Customer service</b> .....            | Page | 7  |
| <b>Warnings and symbols used</b> .....   | Page | 8  |
| <b>Introduction</b> .....                | Page | 9  |
| <b>Intended use</b> .....                | Page | 10 |
| <b>Trademark notices</b> .....           | Page | 10 |
| <b>Scope of delivery</b> .....           | Page | 11 |
| <b>Safety notes</b> .....                | Page | 11 |
| <b>Description of parts</b> .....        | Page | 17 |
| <b>Technical data</b> .....              | Page | 17 |
| <b>Before use</b> .....                  | Page | 18 |
| <b>Operation</b> .....                   | Page | 19 |
| <b>Storage when not in use</b> .....     | Page | 20 |
| <b>Cleaning</b> .....                    | Page | 20 |
| <b>Troubleshooting</b> .....             | Page | 21 |
| <b>Disposal</b> .....                    | Page | 22 |
| <b>Three year limited warranty</b> ..... | Page | 23 |

# DESCRIPTION OF SIGNAL WORDS

## **WARNING**

WARNING indicates a hazardous situation that, if not avoided, could result in death or serious injury.

## **CAUTION**

CAUTION indicates a hazardous situation that, if not avoided, could result in minor or moderate injury.

## **NOTICE**

NOTICE indicates information considered important, but not hazard related (e.g. messages related to property damage).

## CUSTOMER SERVICE



Call customer service at **1 (844) 543-5872**



Visit the Website Customer Service Platform at  
**[www.lidl.com/contact-us](http://www.lidl.com/contact-us)**






Visit a LIDL store for further assistance.

**IAN 423239\_2201**

Please have your IAN number ready

## Warnings and symbols used

The symbols shown are used in the operating instructions, on the packaging and on the unit.

|   |  |
|---|--|
|    | <p><b>DANGER!</b> This symbol with the signal word "DANGER" indicates a hazard with a high level of risk which, if not avoided, will result in serious injury or death.</p>                              |
|    | <p><b>ATTENTION!</b> This symbol with the signal word "ATTENTION" indicates a possible property damage.</p>  |
|   | <p>Direct current / voltage</p>  |
|  | <p>This action sign indicates to wear suitable protective gloves! Follow the instructions to avoid hands striking or being struck by objects or being in contact with thermal or chemical materials!</p> |
|  | <p>This symbol means that the operating instructions must be observed before using the product.</p>  |





## **WARNING! EXPLOSION HAZARD!**

A warning with this symbol and word “WARNING! EXPLOSION HAZARD” indicates the potential threat of explosion. Failure to observe this warning may result in serious or fatal injuries and potential property damage. Follow the instructions in this warning to prevent serious injuries, a danger to life or property damage!

## **WIRELESS MOUSE**

### **Introduction**

Congratulations on your purchase. You have selected a quality product. The instructions for use are a part of the product. They contain important information about the safety, use and disposal of the product. Before using the product, please learn about all the safety information and usage instructions. Only use the product as described and for the specified applications. If you lend the product to someone else, please also give all the instructions.

## **Intended use**

This WIRELESS MOUSE (hereinafter referred to as “product”) is an information technology device and is designed as an input device for computers. This product is not intended for use in companies or for other commercial uses (e.g. office productivity applications). Use this product only in the home for private purposes. Any other use is considered improper. Any claims resulting from improper use or due to unauthorised modification of the product will be considered un-warranted. Any such use is at your own risk.

## **Trademark notices**

USB<sup>®</sup> is a registered trademark of USB Implementers Forum, Inc.

Windows<sup>®</sup> is a registered trademark of Microsoft Corporation in the United States and other countries.

The SilverCrest trademark and trade name is the property of their respective owners.

Any other names and products are trademarks or registered trademarks of their respective owners.

## Scope of delivery

**NOTICE** refer to fold out page (Fig. B)

- 1 Wireless mouse
- 1 USB dongle
- 2 x AAA (LR03) Batteries
- 1 Short manual



### **Safety notes**

Before using the product, please familiarize yourself with all of the safety instructions and instructions for use! When passing this product on to others, please also include all the documents!

**⚠ WARNING! DANGER TO LIFE AND RISK OF ACCIDENT FOR INFANTS AND CHILDREN!**

**⚠ DANGER! RISK OF SUFFOCATION!** Never leave children unsupervised with the packaging material. The packaging material poses a suffocation hazard. Children frequently underestimate the dangers. The packaging material is not a toy.

This product may be used by children age 8 years and up, as well as by persons with reduced physical, sensory or mental capacities or lacking experience and/or knowledge, so long as they are supervised or instructed in the safe use of the product and understand the associated risks. Do not allow children to play with the product. Cleaning and user maintenance should not be performed by children without supervision. The product is not a toy.

**⚠ DANGER! Some of the provided parts can be swallowed. If a part is swallowed, seek immediate medical attention.**

**⚠ WARNING! Radio interference**

Switch the product off on aeroplanes, in hospitals, service rooms, or near medical electronic systems. The wireless signals transmitted could impact the functionality of sensitive electronics.

Keep the product at least 20 cm from pacemakers or implantable cardioverter defibrillators, as the electromagnetic radiation may impair the functionality of pacemakers.

The radio waves transmitted could cause interference in hearing aids.

Do not place the product near flammable gasses or potentially explosives areas (e.g. paint shops) with the wireless components on, as the radio waves emitted can cause explosions and fire.

The range of the radio waves varies by environmental conditions. In the event of wireless data transmission, unauthorised third parties receiving the data cannot be excluded.

 **DANGER! Keep batteries out of reach of children. If accidentally swallowed seek immediate medical attention.**

Swallowing may lead to burns, perforation of soft tissue, and death. Severe burns can occur within 2 hours of ingestion.

 **WARNING! EXPLOSION HAZARD!**



Never recharge non-rechargeable batteries. Do not short-circuit batteries or open them. Overheating, fire or bursting can be the result. Never throw batteries into fire or water. Do not exert mechanical loads to batteries.

### **Risk of batteries leakage**

Avoid extreme environmental conditions and temperatures, which could affect batteries, e.g. radiators / direct sunlight.

In the event of a leakage of batteries, immediately remove them from the product to prevent damage.

Avoid contact of leaked chemicals with skin, eyes and mucous membranes. In the event of contact with battery acid, thoroughly flush the affected area with plenty of clean water and seek immediate medical attention.

## **WEAR PROTECTIVE GLOVES!**



Leaked or damaged batteries can cause burns on contact with the skin. Wear suitable protective gloves at all times if such an event occurs.

## **Battery**

Both batteries must always be replaced at the same time. Insert batteries according to polarity marks (+) and (-) on the battery and the product.

Never try to recharge the batteries and under no circumstances throw them into fire.

Clean the contacts on the battery and in the battery compartment before inserting!

Remove exhausted batteries from the product immediately.

Only use the specified type of battery!

Remove the battery when the product is not to be used for a long time.

Improper use may cause explosions and danger to life.

## **⚠ ATTENTION! RISK OF PROPERTY DAMAGE**

Check the product before every use! Discontinue use if any damage to the product is detected!

Sudden temperature changes may cause condensation inside the product. In this case, allow the product to acclimate for some time before using it again to prevent short circuits!

Do not operate the product near heat sources, e.g. radiators or other devices emitting heat!

Do not throw the product into fire and do not expose to high temperatures.

Never open the product!! It has no internal parts requiring maintenance.

**⚠ ATTENTION!** Ensure that no direct heat sources (e.g. heating) can affect the product.

Any contact with splashed and dripping water and corrosive liquids is avoided and the product is not operated in the vicinity of water. In particular, the product should never be submerged in liquid; do not place any vessels filled with liquid, for example, vases or drinks, on or near the product.

The product is not used in the immediate vicinity of magnetic fields (e.g. speakers).

No fire sources (e.g. burning candles) are placed on or near the product.

No objects are inserted into the interior of the product.

The product is never subjected to excessive shocks and vibrations.

## **NOTICE**

The user must take regular breaks during the use of the product, in case of pain in the hands, arms or shoulder and neck area the work must be interrupted and some stretching exercises must be done.

The OWIM GmbH & Co KG is not responsible for interference with radios or televisions due to unauthorised modification of the product.

The user of the product is fully responsible for correcting interference caused by such unauthorised modification of the product, as well as replacement of such products.

It is necessary to repair the product if they have been damaged in any way, for example, if the housing is damaged, if liquid or objects have penetrated the product or if the product has been exposed to rain or moisture.

Repair work is also required if the product is not working properly or has been dropped. If smoke is produced, or there are any unusual sounds or smells, remove the batteries from the product. In such cases, the product should not be used until they have been inspected by authorised service personnel. Only have the product repaired by qualified personnel. Never open the housing of the product.



## **Description of parts**

Please refer to the fold out page.

- 1 Right mouse button
- 2 DPI button
- 3 Forward buttons
- 4 Backward button
- 5 Left mouse button
- 6 Scroll wheel and middle mouse button
- 7 On/Off Switch
- 8 Battery compartment cover
- 9 Instructions for use
- 10 USB dongle
- 11 2 x AAA (LR03) batteries

## **Technical data**

|                 |                                 |
|-----------------|---------------------------------|
| Voltage supply: | 2 x 1.5 V, AAA (LR03) batteries |
|-----------------|---------------------------------|

|                 |                                  |
|-----------------|----------------------------------|
| Operation time: | 3 to 6 months (Alkaline battery) |
|-----------------|----------------------------------|

|                    |                     |
|--------------------|---------------------|
| Operating Systems: | Windows® 8 or above |
|--------------------|---------------------|

|             |                       |
|-------------|-----------------------|
| Resolution: | 800 / 1200 / 1600 dpi |
|-------------|-----------------------|

|        |           |
|--------|-----------|
| Range: | 10 m max. |
|--------|-----------|

|                       |                 |
|-----------------------|-----------------|
| Radio frequency band: | 2405 - 2470 MHz |
|-----------------------|-----------------|

|                         |         |
|-------------------------|---------|
| Max. transmitted power: | 0.72 mW |
|-------------------------|---------|

|                        |  |
|------------------------|--|
| USB version:           | 2.0  |
| Hardware requirement:: | 1 free USB port                                      |
| Operating temperature: | +41 °F to +95 °F (5 °C to 35 °C)                     |
| Storage temperature:   | +32 °F to +113 °F (0 °C to 45 °C)                    |
| Storage humidity:      | 10 to 70 % RH  |
| Dimension (L x W x H): | 4.76 in x 2.95 in x 1.69 in<br>(121mm x 75mm x 43mm) |
| Net weight:            | 3.60oz (102g) (without battery)                      |

The specification and design may be changed without notification.

## **Before use**

### **NOTICE**

Before use, verify the package contents are complete and undamaged!

All parts have to be unpacked and the packaging material has to be removed completely.

If functional or other defects occur, please contact the service department listed either by telephone or by e-mail.

## Setting up your mouse – inserting/replacing the batteries (see fig. C)

Remove the battery compartment cover **8**.

Insert 2 AAA (LR03) batteries **11** into the battery compartment .

Ensure that the polarities are correct (+/-).

Reinsert the battery compartment cover **8** and push it down until it locks in place.

### Operation

1. Connecting the USB dongle **10** (see fig. D): Slot the USB dongle **10** into a spare USB port on your computer.
2. Slide the ON/OFF button **7** to the “ON” position in order to turn on the mouse.
3. Turn your computer on.
4. The necessary drivers are automatically installed.

## Function of buttons (see fig. A)

- 1 **Right mouse button:** Provides traditional mouse click functions.
- 2 **DPI button:** (800 / 1200 / 1600 - Click button once, then change DPI setting to next DPI value). The default DPI setting is 1200 dpi. Choose a setting that is comfortable for you.
- 3 **Forward button**
- 4 **Backward button**
- 5 **Left mouse button:** Provides traditional mouse functions like click, double click and drag.
- 6 **Scroll wheel and middle mouse button:** Roll up or down to scroll through pages or documents.

## Storage when not in use

Batteries must be removed before storage.

Store the product in a dry indoor location protected from direct sunlight, preferably in its original packaging.

## Cleaning

Switch the product off before cleaning!

No acid, chafing or solvent cleaning agents should be used or the product can be damaged.

Only clean the outside of the product using a soft, dry cloth!

At persistent soiling, a mild cleaning agent can be used.

## Troubleshooting

### Wireless keyboard

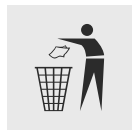
| Problem                             | Solution  |
|-------------------------------------|---|
| The product does not work properly. | <p><b>Option 1:</b> Check if the battery is properly fitted.</p> <p><b>Option 2:</b> The battery needs to be replaced by a new one.</p> <p><b>Option 3:</b> Remove any other mouse connected to your computer and reconnect your mouse.</p> <p><b>Option 4:</b> Avoid using this product onto transparent or reflective surfaces.</p> <p><b>Option 5:</b> USB dongle not correctly inserted, try another free USB port or reboot your computer.</p> <p><b>Option 6:</b> Dirts stained onto optics of mouse, please clean the dirts and try again.</p> |

## Disposal

Dispose of the packaging through your local recycling facilities and in compliance with all federal, state and local regulations.



Please note the package markings regarding waste separation, indicated by abbreviations (a) and numbers (b), meaning: 1-7: plastics / 20-22: paper and cardboard / 80-98: composite materials.



Contact your local waste management authority for additional information on how to dispose of the used product.

To help protect the environment, please dispose of the product properly when it has reached the end of its useful life, do not throw in the garbage. Information on collection sites and their opening hours is available from your local authority.



### **Improper disposal of batteries can damage the environment!**

Never throw batteries in the garbage. They may contain toxic heavy metals and must be handled as special waste. The chemical symbols of heavy metals are: Cd = cadmium, Hg = mercury, Pb = lead. Used batteries should therefore be disposed of through a local collection point.

## **Three year limited warranty**

### **What does this warranty cover?**

The warranty covers:

- Damage, breakage or inoperability due to defect.
- Damage not caused by normal wear and tear or failure to follow the safety and maintenance instructions provided in the user manual.

### **What is not covered by the warranty?**

The warranty does not cover damage caused by:

- Normal wear and tear of the product, including fragile parts (such as switches, glass, etc.);
- Improper use or transport;
- Disregarding safety and maintenance instructions;
- Accidents or acts of nature (e.g. lightning, fire, water, etc.).
- Tampering with the product (such as removing cover, unscrewing screws etc.)

Consequential and incidental damages are also not covered under this warranty. However, some states do not allow the exclusion or limitation of incidental or consequential damages, so this limitation or exclusion may not apply to you.

## **What is the period of coverage and warranty resolution?**

The warranty is for 3 years from the date of purchase. At our discretion, product will either be refunded or replaced.

## **What will we not do?**

We will not:

- Start a new warranty period upon product exchange;
- Repair product.

## **How to process the warranty?**

To initiate, please:

- Call customer service at 1 (844) 543-5872
- Visit the Website Customer Service Platform at [www.lidl.com/contact-us](http://www.lidl.com/contact-us)  
or
- Visit a LIDL store for further assistance

To ensure the quickest warranty return process, please have the following available:

- The original sales receipt that includes the date purchased;
- The product and manual in the original package;
- A statement of the problem.



## **What must you do to keep the warranty in effect?**

- Retain the original receipt;
- Follow all product instructions;
- Do not repair or modify the product.

## **How does state law relate to this warranty?**

This warranty gives you specific legal rights, and you may also have other rights which vary from state to state. All implied warranties are limited by the duration and terms of this warranty. Some states do not allow limitations on how long an implied warranty lasts, so the above limitation may not apply to you.

## **FCC Compliance Statements**

This device complies with Part 15 of the FCC Rules. Operation is subject to the following two conditions: (1) this device may not cause harmful interference, and (2) this device must accept any interference received, including interference that may cause undesired operation.

Note: This equipment has been tested and found to comply with the limits for a Class B digital device, pursuant to Part 15 of the FCC Rules. These limits are designed to provide reasonable protection against harmful interference in a residential installation. This equipment generates, uses and can radiate radio frequency energy and, if not installed and used in accordance with the instructions, may cause harmful interference to radio communications. However, there is no guarantee that interference will not occur in a particular installation.

If this equipment does cause harmful interference to radio or television reception, which can be determined by turning the equipment off and on, the user is encouraged to try to correct the interference by one or more of the following measures:

- Reorient or relocate the receiving antenna.
- Increase the separation between the equipment and receiver.
- Connect the equipment into an outlet on a circuit different from that to which the receiver is connected.
- Consult the dealer or an experienced radio/TV technician for help.

Caution: Changes or modifications not expressly approved by the party responsible for compliance could void the user's authority to operate the equipment.

## **US Radiation Exposure Statement**

This equipment complies with FCC radiation exposure limits set forth for an uncontrolled environment. End user must follow the specific operating instructions for satisfying RF exposure compliance. This transmitter must not be co-located or operating in conjunction with any other antenna or transmitter.