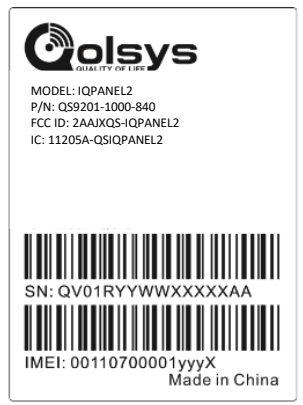
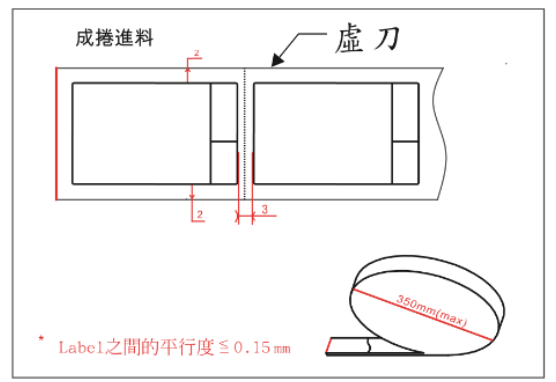


REV.	ECN.	NO.	APPD.
A			

1:1

2:1



- Note.
1. Material: Metalize Polyester film 50#
 2. Adhesive: Acrylic adhesive(0.05)
 3. Color: Background: White
Text and Logo: Black
 4. Code 128
 5. Font: Arial (Bold)

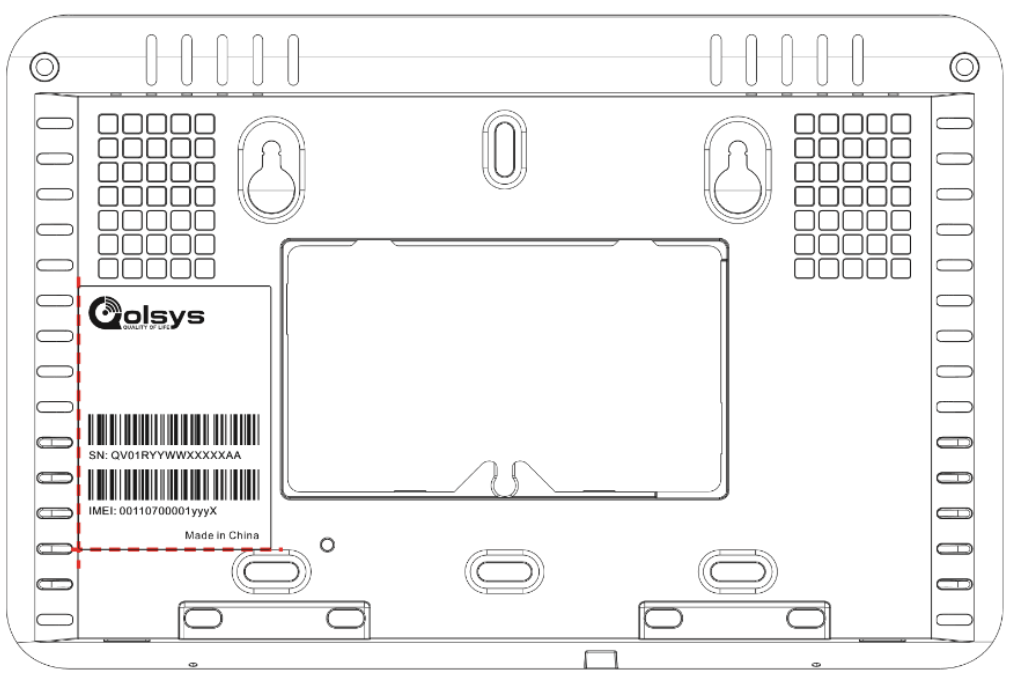
1. For SN code, there will be change as follows:
QV01RYYWWXXXXAA

Q	V	0	1	R	YY	WW	XXXXX	AA
Q- Qolsys	V- Vesta project	0: 北美 MLB (BOARD) 9: 全球 MLB (BOARD)	SIM: 0: No SIM 1: Verizon 2: AT&T 3: Spark 4: Rogers 5: Vodafone 6: Telefonica	R: Revision # P2:2 P3:3 P4:4 PVT:5 MP:A	Year 2015:15	Week	Random Number 1-9	小板配置: AA:319&908&915 AB:319&868&915 AC:319&921&915

2. For IMEI code, start from 00110700001000, "yyy" is 000 to 999
(X- 為系統自動生成帶出來的隨機碼, IMEI共15碼)

00110700001yyyX
00110700002yyyX
00110700003yyyX
00110700004yyyX
00110700005yyyX
00110700006yyyX
00110700007yyyX
00110700008yyyX
00110700009yyyX

Label location

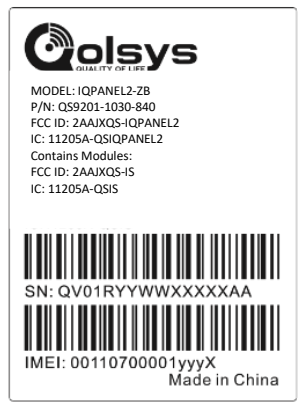
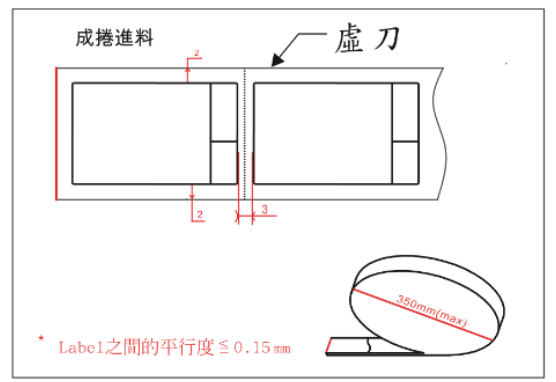


THESE DRAWINGS AND SPECIFICATIONS ARE THE PROPERTY OF HON HAI PRECISION IND. CO., LTD. AND SHALL NOT BE REPRODUCED, COPIED OR USED IN ANY MANNER WITHOUT THE PRIOR WRITTEN CONSENT OF HON HAI PRECISION IND. CO., LTD.	UNITS	MM	NAME(INTENDED USE)	FOXCONN HON HAI PRECISION IND. CO.,LTD. TAIPEI, TAIWAN, R.O.C.			
	MAT'L	See Note	Vesta_Security Panel_System Label	TITLE:	Vesta_Security Panel_System Label		
	FINISH		PART NO.(INTENDED USE)	APPD:	DWG NO.:		
	Q'TY		CHKD:	DR: Mandy 2016/06/07	SCALE	SHEET	REV.
				1:1	1/1	A	

REV.	ECN.	NO.	APPD.
A			

1:1

2:1



0.5R*4

52mm

38mm

- Note.
1. Material: Metalize Polyester film 50#
 2. Adhesive: Acrylic adhesive(0.05)
 3. Color: Background: White
Text and Logo: Black
 4. Code 128
 5. Font: Arial (Bold)

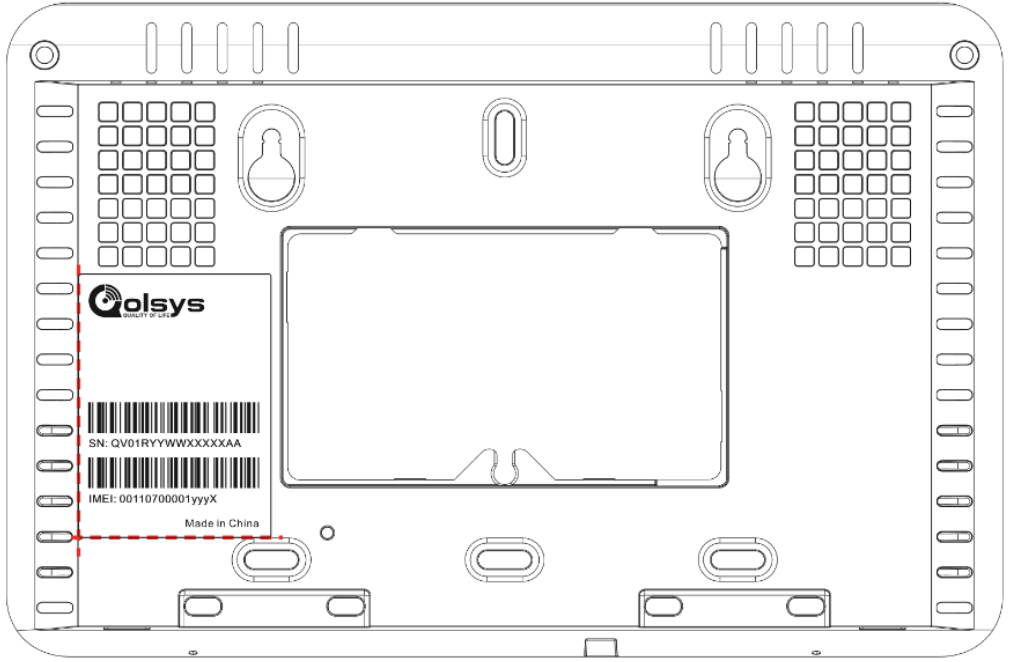
1. For SN code, there will be change as follows:
QV01RYYWWXXXXAA

Q	V	0	1	R	YY	WW	XXXXX	AA
Q- Qolsys	V- Vesta project	0: 北美 MLB (BOARD) 9: 全球 MLB (BOARD)	SIM: 0: No SIM 1: Verizon 2: AT&T 3: Spark 4: Rogers 5: Vodafone 6: Telefonica	R: Revision # P2:2 P3:3 P4:4 PVT:5 MP:A	Year 2015:15	Week	Random Number 1-9	小板配置: AA:319&908&915 AB:319&868&915 AC:319&921&915

2. For IMEI code, start from 00110700001000,
"yyy" is 000 to 999
(X- 為系統自動生成帶出來的隨機碼, IMEI共15碼)

00110700001yyyX
00110700002yyyX
00110700003yyyX
00110700004yyyX
00110700005yyyX
00110700006yyyX
00110700007yyyX
00110700008yyyX
00110700009yyyX

Label location

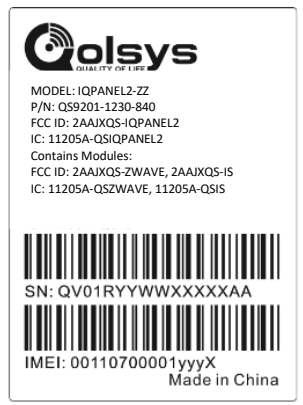
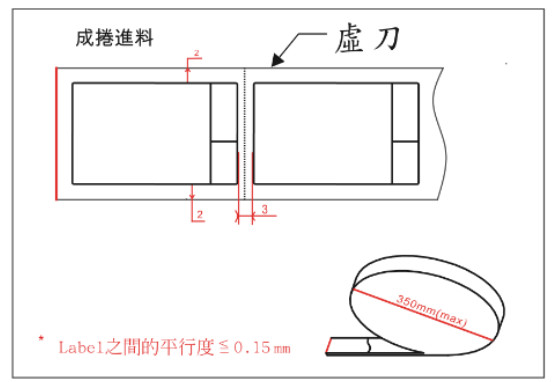


THESE DRAWINGS AND SPECIFICATIONS ARE THE PROPERTY OF HON HAI PRECISION IND. CO., LTD. AND SHALL NOT BE REPRODUCED, COPIED OR USED IN ANY MANNER WITHOUT THE PRIOR WRITTEN CONSENT OF HON HAI PRECISION IND. CO., LTD.	UNITS	MM	NAME(INTENDED USE)	FOXCONN HON HAI PRECISION IND. CO.,LTD. TAIPEI, TAIWAN, R.O.C.				
	MAT'L	See Note	Vesta_Security Panel_System Label	TITLE:	Vesta_Security Panel_System Label			
	FINISH		PART NO.(INTENDED USE)	DWG NO.:				
	Q'TY		APPD:	CHKD:	DR:	Mandy 2016/06/07	SCALE	SHEET
						1:1	1/1	A

REV.	ECN.	NO.	APPD.
A			

1:1

2:1



- Note.
1. Material: Metalize Polyester film 50#
 2. Adhesive: Acrylic adhesive(0.05)
 3. Color: Background: White
Text and Logo: Black
 4. Code 128
 5. Font: Arial (Bold)

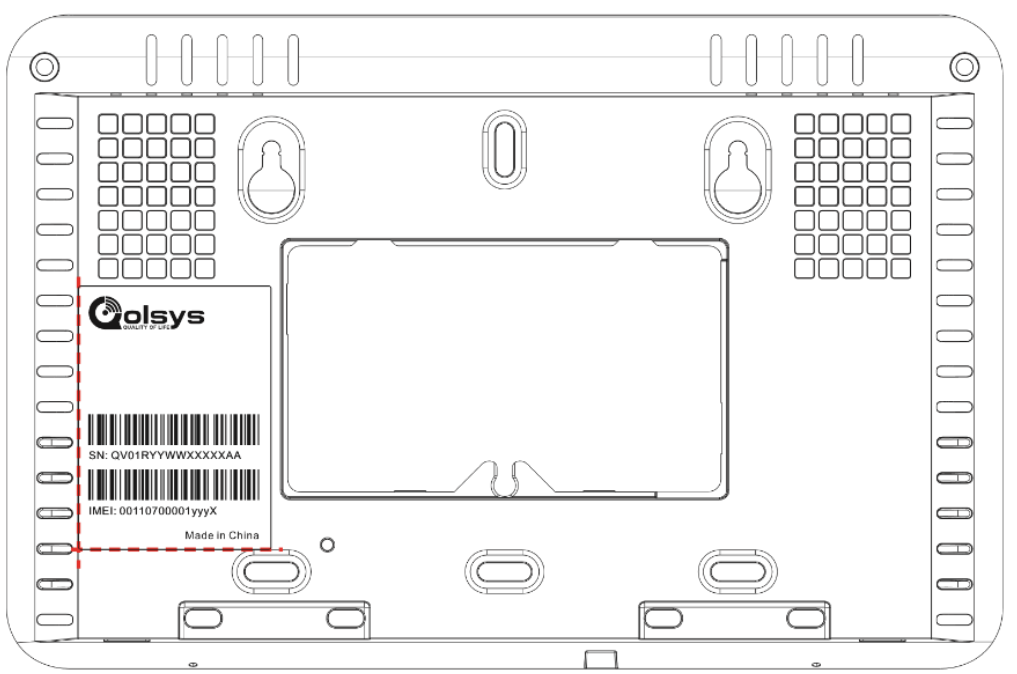
1. For SN code, there will be change as follows:
QV01RYYWWXXXXAA

Q	V	0	1	R	YY	WW	XXXXX	AA
Q- Qolsys	V- Vesta project	0: 北美 MLB (BOARD) 9: 全球 MLB (BOARD)	SIM: 0: No SIM 1: Verizon 2: AT&T 3: Spark 4: Rogers 5: Vodafone 6: Telefonica	R: Revision # P2:2 P3:3 P4:4 PVT:5 MP:A	Year 2015:15	Week	Random Number 1-9	小板配置: AA:319&908&915 AB:319&868&915 AC:319&821&915

2. For IMEI code, start from 00110700001000,
"yyy" is 000 to 999
(X- 為系統自動生成帶出來的隨機碼, IMEI共15碼)

00110700001yyyX
00110700002yyyX
00110700003yyyX
00110700004yyyX
00110700005yyyX
00110700006yyyX
00110700007yyyX
00110700008yyyX
00110700009yyyX

Label location

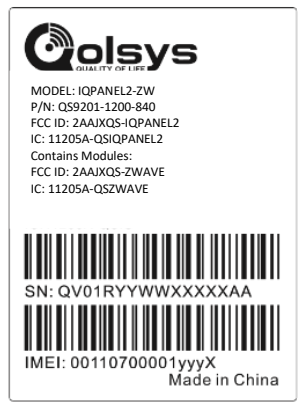
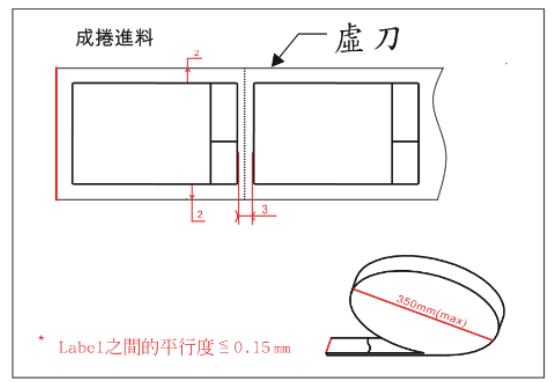


THESE DRAWINGS AND SPECIFICATIONS ARE THE PROPERTY OF HON HAI PRECISION IND. CO., LTD. AND SHALL NOT BE REPRODUCED, COPIED OR USED IN ANY MANNER WITHOUT THE PRIOR WRITTEN CONSENT OF HON HAI PRECISION IND. CO., LTD.	UNITS	MM	NAME(INTENDED USE)	FOXCONN HON HAI PRECISION IND. CO.,LTD. TAIPEI, TAIWAN, R.O.C.				
	MAT'L	See Note	Vesta_Security Panel_System Label	TITLE:	Vesta_Security Panel_System Label			
	FINISH		PART NO.(INTENDED USE)	DWG NO.:				
	Q'TY		APPD:	CHKD:	DR:	Mandy 2016/06/07	SCALE	SHEET
						1:1	1/1	A

REV.	ECN.	NO.	APPD.
A			

1:1

2:1



0.5R*4

52mm

38mm

- Note.
1. Material: Metalize Polyester film 50#
 2. Adhesive: Acrylic adhesive(0.05)
 3. Color: Background: White
Text and Logo: Black
 4. Code 128
 5. Font: Arial (Bold)

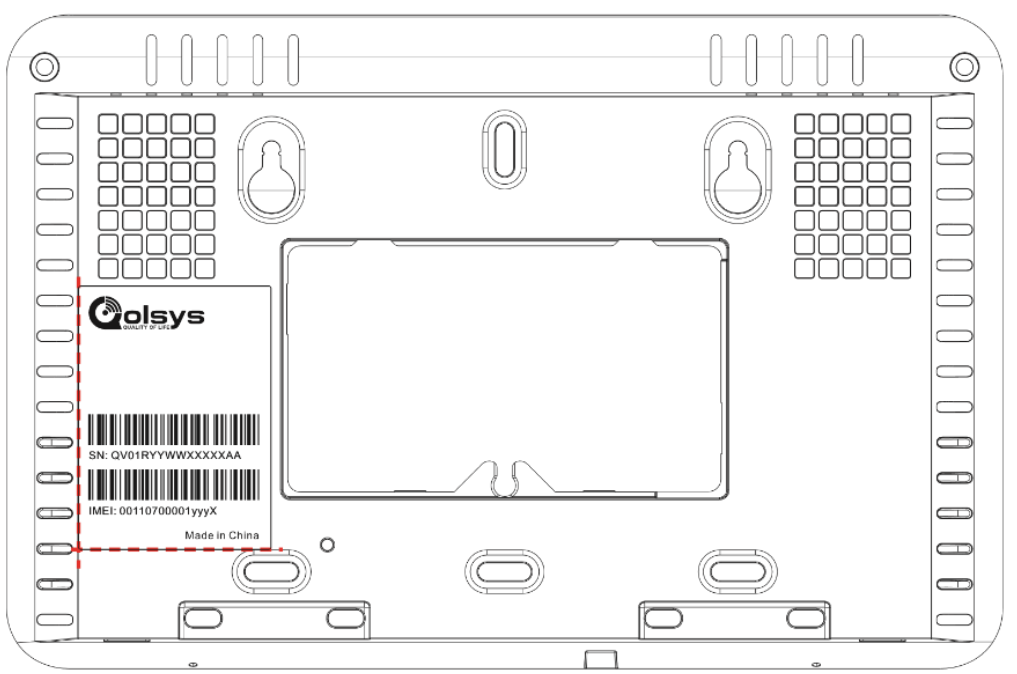
1. For SN code, there will be change as follows:
QV01RYYWWXXXXAA

Q	V	0	1	R	YY	WW	XXXXX	AA
Q- Qolsys	V- Vesta project	0: 北美 MLB (BOARD) 9: 全球 MLB (BOARD)	SIM: 0: No SIM 1: Verizon 2: AT&T 3: Spark 4: Rogers 5: Vodafone 6: Telefonica	R: Revision # P2:2 P3:3 P4:4 PVT:5 MP:A	Year 2015:15	Week	Random Number 1-9	小板配置: AA:319&908&915 AB:319&868&915 AC:319&821&915

2. For IMEI code, start from 00110700001000, "yyy" is 000 to 999
(X- 為系統自動生成帶出來的隨機碼, IMEI共15碼)

00110700001yyyX
00110700002yyyX
00110700003yyyX
00110700004yyyX
00110700005yyyX
00110700006yyyX
00110700007yyyX
00110700008yyyX
00110700009yyyX

Label location



THESE DRAWINGS AND SPECIFICATIONS ARE THE PROPERTY OF HON HAI PRECISION IND. CO., LTD. AND SHALL NOT BE REPRODUCED, COPIED OR USED IN ANY MANNER WITHOUT THE PRIOR WRITTEN CONSENT OF HON HAI PRECISION IND. CO., LTD.	UNITS	MM	NAME(INTENDED USE)	FOXCONN HON HAI PRECISION IND. CO.,LTD. TAIPEI, TAIWAN, R.O.C.				
	MAT'L	See Note	Vesta_Security Panel_System Label	TITLE:	Vesta_Security Panel_System Label			
	FINISH		PART NO.(INTENDED USE)	DWG NO.:				
	Q'TY		APPD:	CHKD:	DR:	Mandy 2016/06/07	SCALE	SHEET
						1:1	1/1	A