



Qolsys Inc.
 1900 The Alameda
 San Jose, CA 95126
 Phone: (855) 476-5797
 Email: info@qolsys.com

18009916R001 IQ MOTION2-S NA LISTING LABEL FCC/IC/UL/ULC

April 23, 2020

Colour: Pantone Process Black

Material:

CLEAR UL approved self-adhesive Mylar type material

Lamination: Top gloss finish lamination (e.g. 1F9, or equivalent)

Adhesive: Permanent adhesive backed with protective liner

Cutting: Tolerance +/- 0.010 "

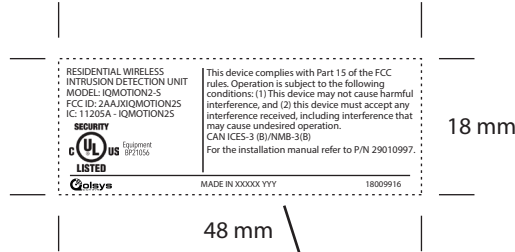
Dashed line indicates cutting - will not print

NOTES:

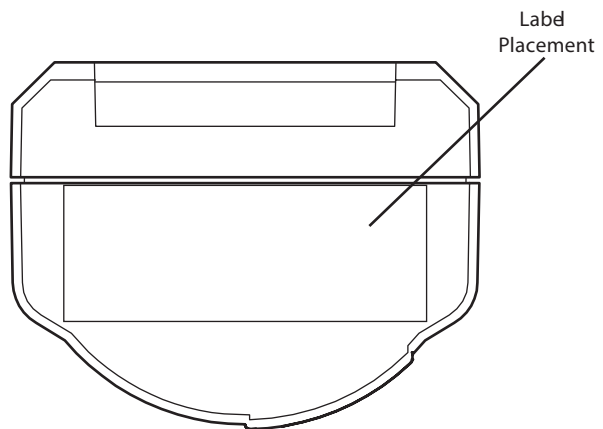
1. All UL and ULC Labels shall be printed on UL approved material. The first time the label is being ordered, the artwork must be sent to UL Label Center [email: LabelCenter.USA@us.ul.com, fax: (847)509-6201] for approval.
2. All UL and ULC Labels shall be printed by a UL Listed printing facility.

NOTES:

1. All items must be RoHS compliant.
2. Markings on label must be PERMANENT.
3. Indelible Ink.
4. Conductive inks may not be used.
5. Non-conductive label adhesive shall be used ONLY.



**“XXXXX YYY” IS PLACEHOLDER ONLY.
 Please replace “XXXXX” with the country of origin and “YYY” with the UL factory ID (if applicable) before printing. Delete the “YYY” if there is no UL factory ID.**



Top of the unit showing placement of label

