

Specification For Approval

Date: 2020 / 08 / 06

File No.: 200806002

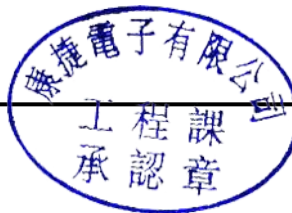
Version: 1.0

Customer : 魯邦通

Customer P/N : /

INVAX P/N : AN2400-92158BRS

Description : Antenna



Cortec Checked By:



Customer Approved By:



INVAX System Technology Corp.
4F. No. 815.Chung Hsiao East Rd.,Sec.5
Taipei, TAIWAN

TEL:886-2-2788-5218 FAX:886-2-2783-1658
<http://www.invaxsystem.com>



Cortec Technology Inc.
Xian-Xi Industrial, Sha-Tou Administration Zone,
Chang-An Town, Dong-Guan City, Guangdong
Province, China

TEL:86-769-85388261 FAX:86-769-85317869
<http://www.cortec.com.cn>

Index:

- 1. Revision History / Page 3**
- 2. Specification / Page 4**
- 5. Characteristics and Reliability Test / Page 5**
- 3. Antenna - S Parameter Test Data / Page 6**
- 5. Characteristics and Reliability Test / Page 7**
- 6. Mechanical and Packing Drawing / Page 8 ~ 9**
- 7. Material Description and RoHS Test Report / Page 10 ~ end**

Product Number: AN2400-92158BRS

Product Name: Antenna



1. Revision History

Revision	Date	Change Notification	Description
1.0	2020.08.06	初版	

Product Number: AN2400-92158BRS

Product Name: Antenna



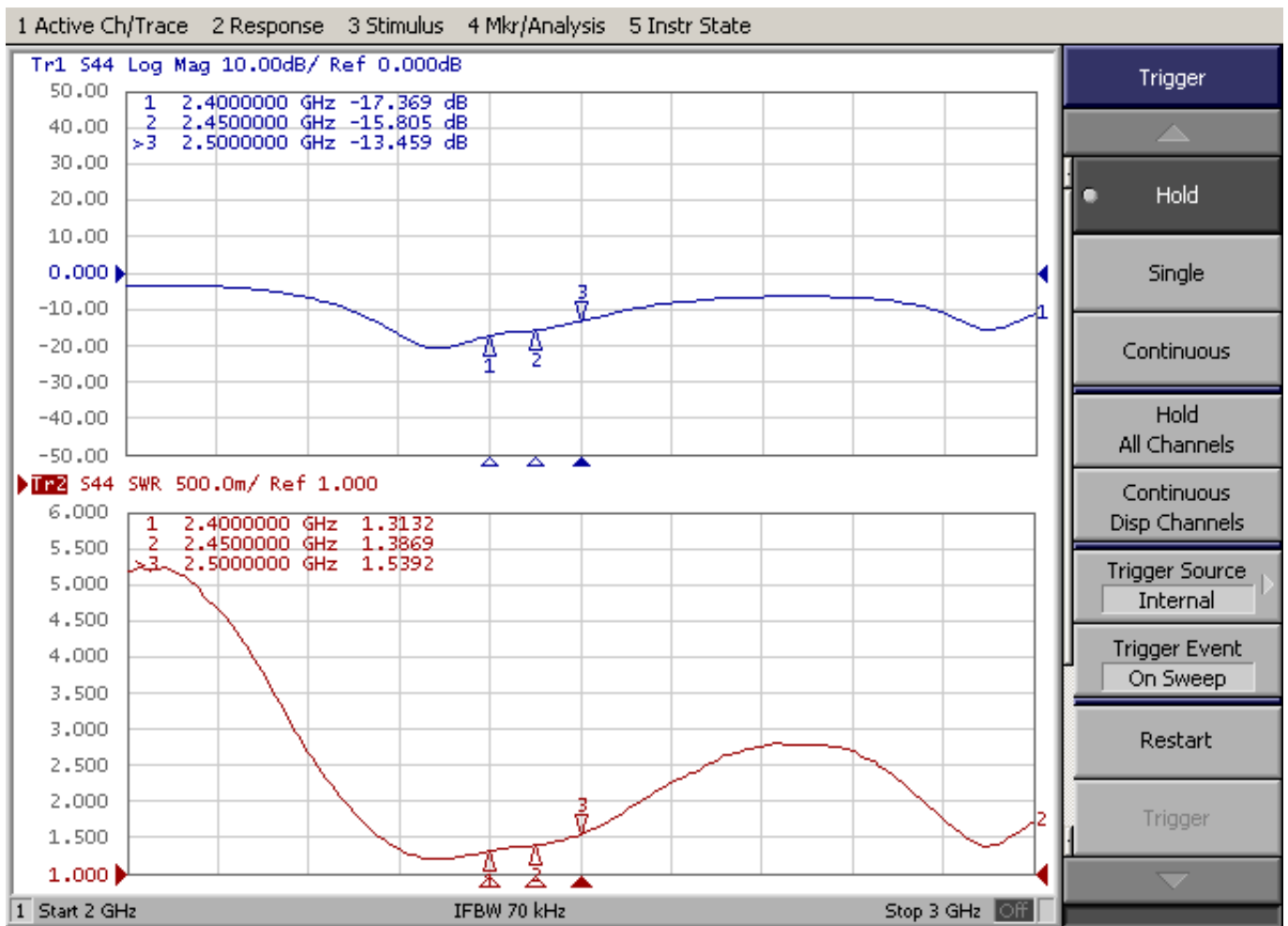
2. Specification

Sample Photo	
	
A. Electrical Characteristics	
Frequency	2400 ~ 2500 MHz
V.S.W.R	≤ 2.0
Peak Gain	5dBi / Max
Polarization	Linear
Impedance	50 Ohm
B. Material & Mechanical Characteristics	
Material of Radiator	CU
Material of Plastic	TPE / ABS
Cable Type	RG-178U
Connector Type	SMA Male Reverse
C. Environmental	
Operation Temperature	- 40 °C ~ + 65 °C
Storage Temperature	- 40 °C ~ + 80 °C
Antenna Color Storage life	< 2 year

3. Characteristics and Reliability Test

Test Items 測試項目	Test Condition and Procedure 測試方法	Requirements 要求	Result 結果
C1 V.S.W.R. 電壓駐波比	Set DUT on Network Analyzer; make individual calibration to test 設置網路分析儀參數進行測試	Directive DUT specification 符合待測物規範	PASS
C3 Antenna Gain 天線增益	Set DUT on Antenna Chamber; make individual calibration to test 設置天線暗室參數進行測試	Directive DUT specification 符合待測物規範	PASS
M1 Vibration 震動	GB / T2423.48-2008 Amplitude: 0.03 inch (1.5mm); Freq: 20 to 80 to 20 Hz 3 directions; 2 hours for each direction 振幅 1.5mm ; 頻率 20~80~20Hz ; 3 個方向各 2H	1. No Visual Damage 2. Frequency Tol. ≤5% 無明顯外觀不良; 頻率偏移 ≤5%	PASS
M2 Random Drop 跌落	GB / T2423.8-1995 Single : Height: 1.0 Meter; 3 directions; 1 time for each direction 單支天線, 高 1m ; 3 個方向各 1 次	1. No parts separated · fracture 2. Frequency Tol. ≤5% 產品無脫落、斷裂; 頻率偏移 ≤5%	PASS
	Packing : Height: 0.76 Meter; 1 corner, 3 edges, 6 surface 包裝 : 高 0.76m , 一角、三棱、六面各一次		PASS
M4 Pull Test 拉力	Holding with individual specification; force applied to axis of terminal .單獨定義產品端子拉力	1. Directive DUT specification 2. Frequency Tol. ≤5% 符合待測物規範; 頻率偏移 ≤5%	PASS
M6 Dimension 尺寸	Inspection of dimension, color, material, package, surface process. 檢查尺寸, 顏色, 材料, 包裝, 表面處理	Directive DUT specification 符合待測物規範	PASS
E3 Temperature and Humidity Chamber 恒溫恒濕	GB / T 2423.3-2006 Temp: 80°C / 12 H; -40°C / 12H RH: ≥ 90%; Time: 24H 溫度 80°C 測試 12H 轉 -40°C 測試 12H; 濕度 ≥ 90% ; 時間 24H	After 2 Hours Recovery 1. No Visual Damage 2. Frequency Tol. ≤5% 恢復 2H 后, 無明顯外觀不良; 頻率偏移 ≤5%	PASS
E5 Aging test 老化	GB / T 2423.2 - 2008 Temp: 80°C; Time: 24 hours 溫度 80°C , 測試 24H	After 2 Hours Recovery 1. No Visual Damage 2. Frequency Tol. ≤5% 無明顯外觀不良; 頻率偏移 ≤5%	PASS
R1 RoHS	With Reference to IEC 62321:2008 with flow chart 參考 IEC 62321 測試流程	Directive RoHS 2015/863/EU 符合 RoHS 2015/863/EU 標準	PASS
R2 PFOS	With Reference to USA EPA 3550C:1996 by LC/MS 參考 USA EPA 3550C 測試流程	Directive RoHS 2015/863/EU 符合 RoHS 2015/863/EU 標準	PASS

4. Antenna - S Parameter Test Data

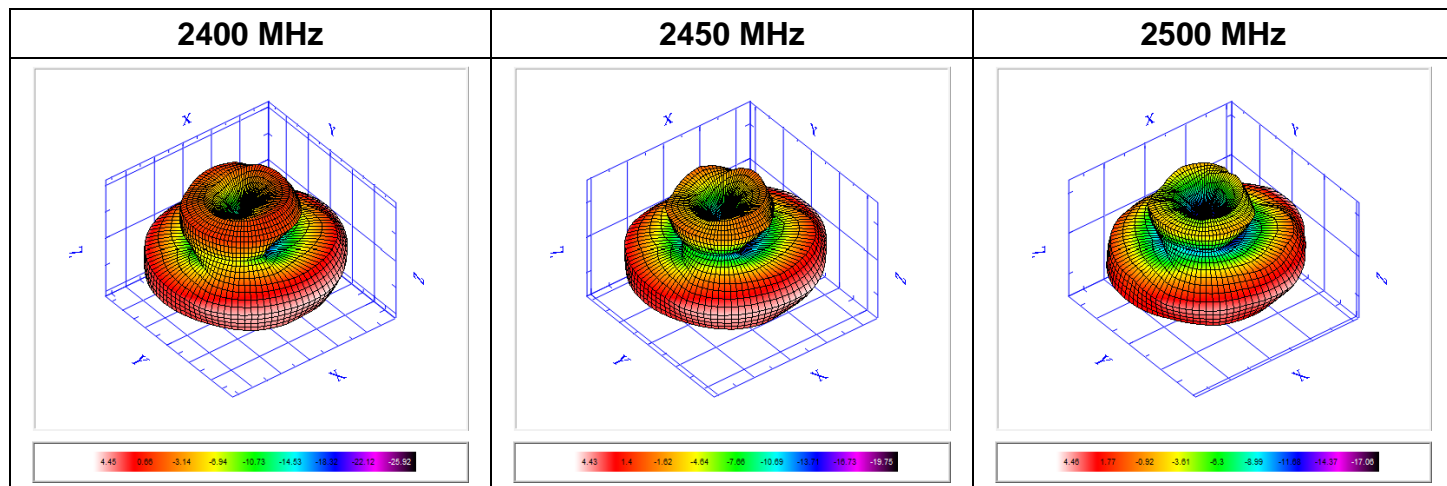


Product Number: AN2400-92158BRS

Product Name: Antenna



5. Antenna - Radiation Pattern Test Data



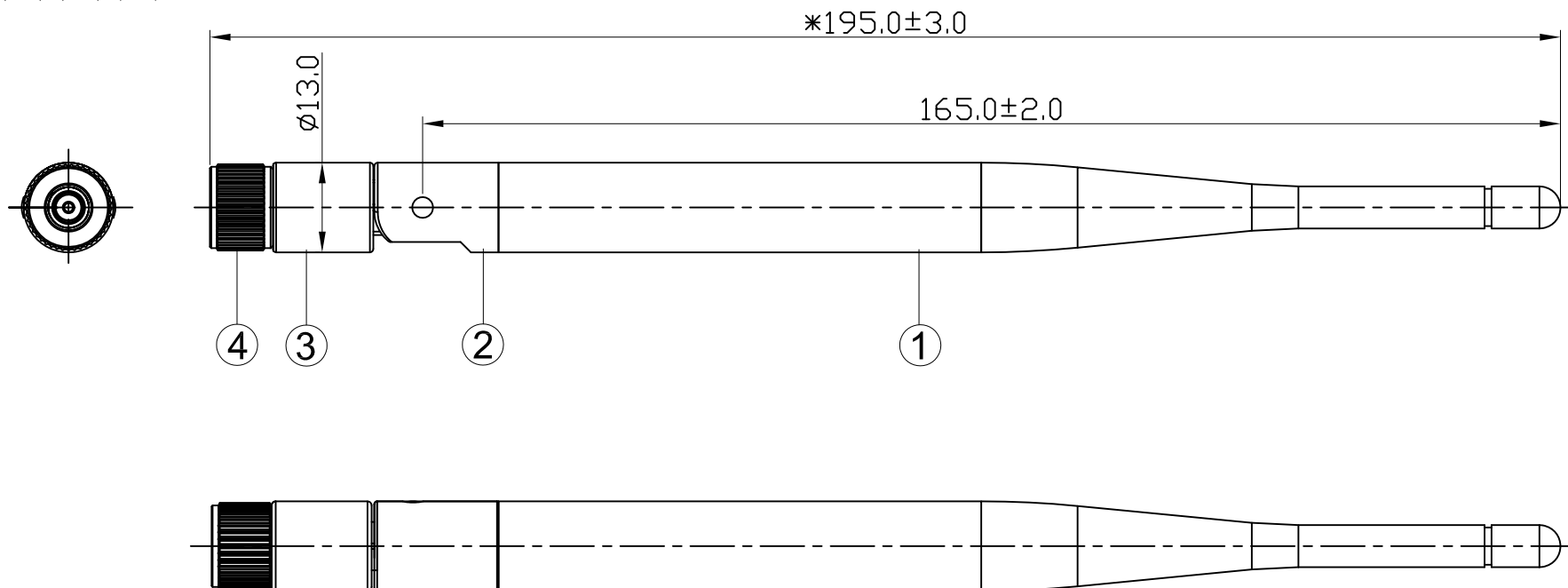
Frequency	2400	2410	2420	2430	2440	2450	2460	2470	2480	2490	2500
TRP (dBm)	-1.36	-1.34	-1.35	-1.33	-1.62	-1.34	-1.33	-1.26	-1.26	-1.36	-1.3
Peak EIRP (dBm)	4.45	4.46	4.49	4.43	4.23	4.43	4.55	4.52	4.48	4.32	4.46
NHPRP +/- 45 (degree)	-1.81	-1.79	-1.82	-1.8	-2.08	-1.78	-1.75	-1.67	-1.67	-1.77	-1.71
NHPRP +/- 30 (degree)	-2.32	-2.31	-2.33	-2.31	-2.57	-2.27	-2.25	-2.2	-2.23	-2.35	-2.3
E-Theta Peak Gain (dBi)	-6.88	-7.63	-8.35	-8.76	-9.5	-10.07	-9.93	-9.74	-10.85	-11.44	-11.31
E-Phi Peak Gain (dBi)	4.44	4.42	4.46	4.4	4.22	4.4	4.51	4.47	4.46	4.25	4.39
E-Total Peak Gain (dBi)	4.45	4.46	4.49	4.43	4.23	4.43	4.55	4.52	4.48	4.32	4.46
Directivity (dBi)	5.82	5.8	5.84	5.76	5.85	5.77	5.89	5.77	5.74	5.67	5.76
Efficiency (%)	73.08	73.51	73.35	73.61	68.8	73.38	73.55	74.9	74.86	73.18	74.07

RoHS

Compatible



SIGN	DATE	DESCRIPTION	APPROVER
△			
△			
△			



Note:

- 1.Take" * "is the important dimension.
- 2.Tolerance:Unmarked tolerance refer to the standard tolerance please.

4	SMA306-CPR5A03-HC	SMA公頭母針	POM	黑色	1
3	AN0304-T07B	連接頭	ABS	黑色	1
2	AN9201-06B	連接筒	ABS	黑色	1
1	AN9201-04B	天線塑膠外套	TPE	黑色	1
No.	Part Number	Description	Material	Finished	Q'ty

Invax System Group.

Cortec

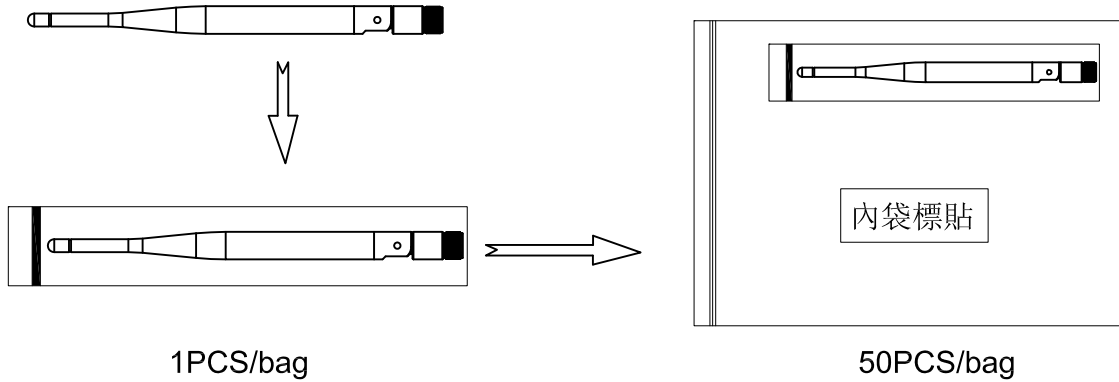
Cortec Technology Inc.

Http://www.invaxsystem.com Tel:886-2-27885218
E-mail:info@invax.com.tw Fax:886-2-27831658

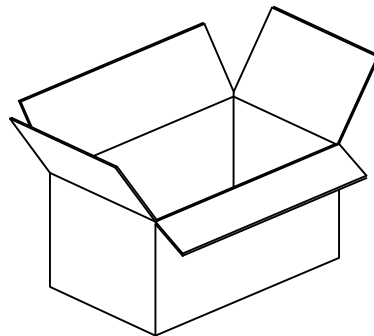
TITLE: 2.4GHz 5dBi Antenna					
PART NO.: AN2400-92158BRS			CUSTOMER P/N: /		
APP BY	CHK BY	RF BY	DES BY		Tolerance
Grant 2017/09/20	Kenny 2017/09/20		WS 2017/09/20		UNITS: mm SCALE: 1/1 REVISION: A

Part Number : AN2400-92158BRS	Revision : A
Name: 2.4GHz 5dBi Antenna	Customer : All

1.Enter OPP bag ◦

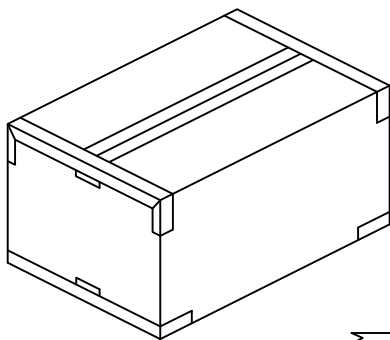


2.PACKING ◦



SIZE:29.0x23.0x32.5cm
300PCS/CARTON

3. SEALING ◦



SIDE

FRONT

