

MONSTER®

ROCKIN' ROLLER

CHARGE

User Manual



TABLE OF CONTENTS

Warning & FCC Statement	3
Safety Instructions	4
New Features	5
Contents	5
Speaker Component	5
Getting Started	6
Charging Battery	6
Bluetooth Connection	6
1/4" Guitar / Mic input	7
AUX Input	7
Equalizer Presets	7
FM Radio	8
USB Charging	8
Auto Standby	8
Troubleshooting	9
Specifications	10
Limited Warranty	11

FCC WARNING STATEMENT

Changes or modifications not expressly approved by the party responsible for compliance could void the user's authority to operate the equipment.

This equipment has been tested and found to comply with the limits for a Class B digital device, pursuant to Part 15 of the FCC Rules.

Operation is subject to the following two conditions:

(1) This device may not cause harmful interference, and

(2) This device must accept any interference received, including interference that may cause undesired operation.

These limits are designed to provide reasonable protection against harmful interference in a residential installation. This equipment generates, uses, and can radiate radio frequency energy and, if not installed and used in accordance with the instructions, may cause harmful interference to radio communications. However, there is no guarantee that interference will not occur in a particular installation. If this equipment does cause harmful interference to radio or television reception, which can be determined by turning the equipment off and on, the user is encouraged to try to correct the interference by one or more of the following measures:

- Reorient or relocate the receiving antenna.
- Increase the separation between the equipment and receiver.
- Connect the equipment into an outlet on a circuit different from that to which the receiver is connected.
- Consult the dealer or an experienced radio/TV technician for help.



FCC Radiation Exposure Statement

This equipment complies with FCC radiation exposure limits set forth for an uncontrolled environment. In order to avoid the possibility of exceeding the FCC radio frequency exposure limits, Human proximity to the antenna shall not be less than 20cm (8 inches) during normal operation.

IMPORTANT SAFETY INSTRUCTIONS

TO PREVENT FIRE OR SHOCK HAZARD, DO NOT USE THIS PLUG WITH AN EXTENSION CORD, RECEPTACLE OR OTHER OUTLET UNLESS THE BLADE CAN BE FULLY INSERTED TO PREVENT BLADE EXPOSURE. TO PREVENT FIRE OR SHOCK HAZARD, DO NOT EXPOSE THIS APPLIANCE TO RAIN OR MOIST.

TO PREVENT FIRE OR SHOCK HAZARD, DO NOT USE THIS PLUG WITH AN EXTENSION CORD, RECEPTACLE OR OTHER OUTLET UNLESS THE BLADE CAN BE FULLY INSERTED TO PREVENT BLADE EXPOSURE. TO PREVENT FIRE OR SHOCK HAZARD, DO NOT EXPOSE THIS APPLIANCE TO RAIN OR MOIST.

 <p>The lightning flash with arrow-head symbol, within an equilateral triangle is intended to alert the user to the presence of insulated "dangerous voltage" within the product's enclosure that may be of sufficient magnitude to constitute a risk of electric shock to persons.</p>	<p>CAUTION</p> <p>RISK OF ELECTRIC SHOCK DO NOT OPEN</p> <p>WARNING: TO REDUCE THE RISK OF ELECTRIC SHOCK DO NOT REMOVE COVER (OR BACK). NO USER SERVICEABLE PARTS INSIDE REFER SERVICING TO QUALIFIED SERVICE PERSONNEL.</p>	 <p>The exclamation point within an equilateral triangle is intended to alert the user to the presence of important operating and maintenance (servicing) instructions in the literature accompanying the appliance.</p>
--	---	---

Important Safety Instructions

- 1) Read these instructions – All the safety and operating instructions should be read before this product is operated.
- 2) Keep these instructions – The safety and operating instructions should be retained for future reference.
- 3) Heed all warnings - All warnings on the appliance and in the operating instructions should be adhered to.
- 4) Follow all instructions – All operating and use instructions should be followed.

- 5) This apparatus can be used in wet location conditions after disconnected the AC Mains supply and closing the water proof cap for the AC inlet. It must not be used in wet location conditions when charging. Do not use this apparatus near water-The appliance should not be used near water or moisture – for example, in wet basement or near a swimming pool.
- 6) Clean only with dry cloth.
- 7) Do not block any ventilation openings, install in accordance with the manufacturer's instructions.
- 8) Do not install near any heat sources such as radiations, heat registers, stoves, or other apparatus (including amplifiers) that produce heat.
- 9) Do not defeat the safety purpose of the polarized or grounding plug. A polarized plug has two blades with one wider than the other. A grounding plug has two blades and a third grounding prong. The wide blade or the third prong is provided for your safety. If the provided plug does not fit into your outlet, consult an electrician for replacement of the obsolete outlet.
- 10) Protected the power cord from being walked on or pinched particularly at plugs, convenience receptacles, and the point where they exit from the apparatus.
- 11) Only use attachments/accessories specified by the manufacturer.
- 12) Use only with the cart, stand, tripod, bracket, or table specified by the manufacturer, or sold with the apparatus. When a cart or rack is used, use caution when moving the cart/apparatus combination to avoid injury from tip-over.



- 13) Unplug this apparatus during lighting storms or when unused for long periods of time.
- 14) Refer all servicing to qualified service personnel. Servicing is required when the apparatus has been damaged in any way, such as power-supply cord or plug is damaged, liquid has been spilled or objects have fallen into the apparatus, the apparatus has been exposed to rain or moisture, does not operate normally, or has been dropped.
- 15) Mains plug is used as the disconnect device, the disconnect device shall remain readily operable.
- 16) Do not install this equipment in a confined or building-in space such as a book case or similar unit, and remain a well ventilation conditions at open site. The ventilation should not be impeded by covering the ventilation openings with items, such as newspapers, table-cloth, curtains, etc.
- 17) No naked flame sources, such as lighted candles, should be placed on the apparatus.
- 18) Attention should be drawn to the environmental aspects of battery disposal.
- 19) The use of apparatus in moderate climate.
- 20) The apparatus shall not be exposed to dripping or splashing and that no objects filled with liquids, such as vases, shall be placed on the apparatus.

WARNING: To reduce the risk of fire or electric shock, do not expose this apparatus to rain or moisture.

WARNING: The batteries shall not be exposed to excessive heat such as sunshine, fire or the like.

CAUTION: Danger of explosion if battery is incorrectly replaced. Replace only with the same or equivalent type.

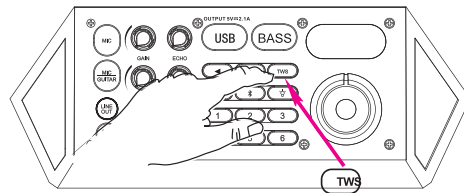
- This equipment is a Class II or double insulated electrical appliance. It has been designed in such a way that it does not require a safety connection to electrical earth.

NEW FEATURES

TRUE WIRELESS SYSTEM (TWS) Additional speaker sold separately

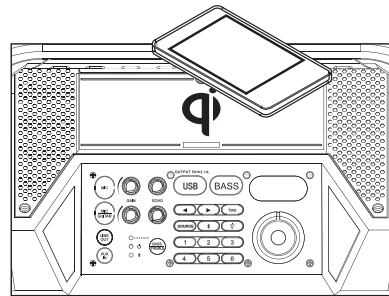
True Wireless System (also known as TWS) is a feature that allows one device to wirelessly connect with another device. As a brand-new feature for the Rockin' Roller Charge, you can use the TWS function to connect it to a second Rockin' Roller Charge and play your music through two speakers.

- Make sure the speaker is in Bluetooth mode and connect to a device.
- Press the TWS button to activate the speaker's True Wireless System (RED LED indicator will flash in TWS mode)
- On a second speaker (NOT connected to a Bluetooth device), press the TWS button.
- When speakers connect, the RED LED indicator will stop flashing and remain on.
- To disconnect a speaker, press the TWS button.



Qi WIRELESS CHARGING

- Turn on power to Rockin' Roller Charge.
 - Place your Qi-enabled device on the charging pad with the screen facing up. The LED GREEN when your device is charging.
- Note: If the LED is red, your device is fully charged.



CONTENTS

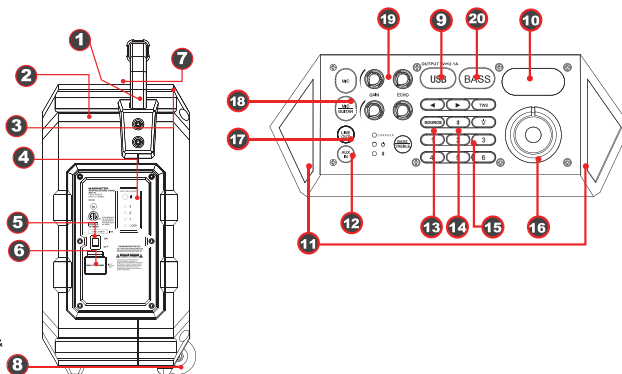
This box includes the following items:

- Monster Rockin' Roller Charge
- AC Power Cable
- AUX Cable
- Microphone (wired)
- User Manual (incl. Warranty Statement)
- Quick Start Guide

If any items are missing, contact our customer service team at 1.800.976.0677.

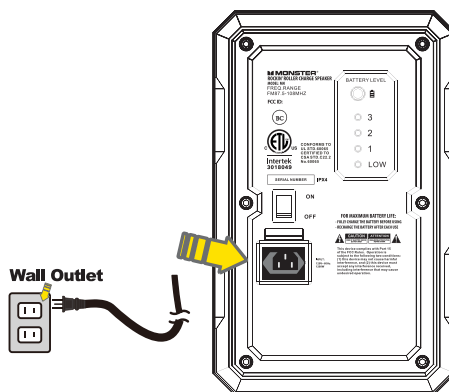
SPEAKER COMPONENTS

- | | | |
|---------------------------|-----------------------|--------------------------------------|
| 1. Carry handle | 9. USB port (x2) | 17. Line Out |
| 2. Ruggedized housing | 10. LED interface | 18. Mic / Guitar Input |
| 3. Telescoping handle | 11. LED lights | 19. Mic / Guitar Gain & Echo Control |
| 4. Battery life indicator | 12. AUX input | 20. BASS Boost |
| 5. Power On/Off switch | 13. Source selector | |
| 6. AC power input | 14. Bluetooth pairing | |
| 7. Qi Charging Pad | 15. Radio presets | |
| 8. In-line rolling wheels | 16. Volume knob | |



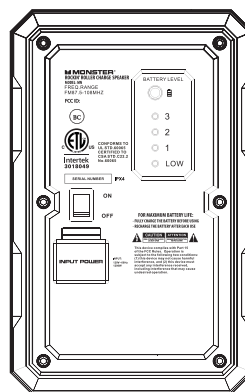
GETTING STARTED

- Press Battery Level button on side panel to check current battery charge
- Turn the Power switch to ON.
- The LED battery indicator will turn on.
- The unit will enter Bluetooth pairing mode (LED will flash blue).
- If 3.5mm AUX cable is plugged in, unit will automatically enter AUX mode.



CHARGING BATTERY

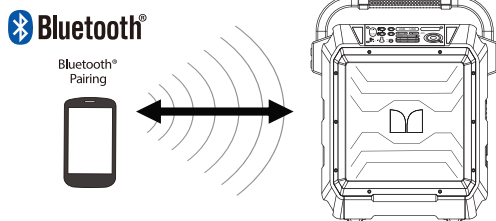
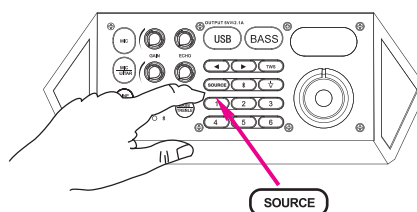
- Connect speaker to AC outlet via AC power input to charge battery.
 - Full charge in 7 hours while powered OFF.
 - Full charge in 15 hours while powered ON.
- 3 GREEN LED indicates full battery charge.
- Flashing RED LED indicates that the battery level is low.
- NOTE: Before first use, charge unit for ~6 hours.



BLUETOOTH CONNECTION

Manual Bluetooth pairing

- Place speaker and Bluetooth device within 3 feet of each other.
- Make sure Bluetooth function is enabled on your device.
- Press and hold Bluetooth button for 2 seconds to enter pairing mode. BLUE LED will flash.
- Search for Bluetooth connections on your device. Select "MONSTER RRC"



- Speaker will confirm connection with audible sound.
- Once paired, **BLUE LED** will stop flashing and remain steady.

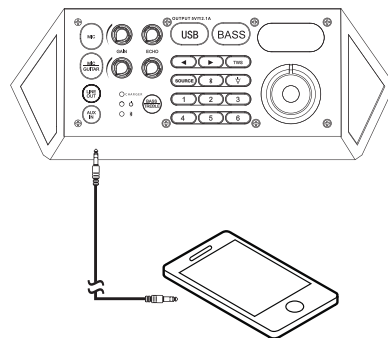
1/4" GUITAR / MIC INPUT Guitar not included

- Plug in the 1/4" audio jack plug in the MIC input for microphone, GUITAR input for guitar, the unit will enter into that mode (MIC / GUITAR), make sure the the microphone, guitar, or other device is on.
- You can connect any audio device that has 1/4" audio output jack, and can playback and audio from this connected device.
- Playback functions (Play, Pause, Next, Previous) can be controlled from the connected Audio device.
- Guitar not included.



AUX INPUT

- Plug in the 3.5 mm Stereo Audio wire into the AUX-IN input, and the unit will enter into AUX mode and the BT Blue LED indicator will turn off..
- You can connect any audio device that has 3.5mm audio output jack, and can playback any audio from this connected device.

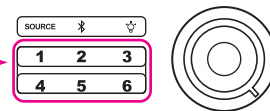


EQUALIZER (EQ) PRESETS



Customize your listening experience with 6 EQ settings when in **Bluetooth** mode.

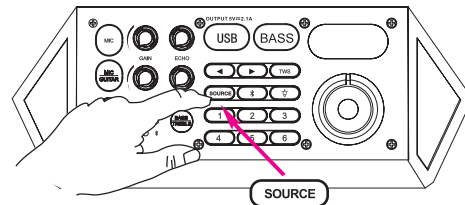
- 1 FLAT
- 2 JAZZ
- 3 ROCK
- 4 POP
- 5 CLASSICAL
- 6 DEFAULT



FM RADIO

Listening to FM radio

- Press the “Source” button to select FM source, the radio station frequency will be displayed on the screen.
- Press and hold (◀ or ▶) to search a station with the strongest reception.



Store your favorite six radio stations manually

- Tune to the desired radio station.
- Press and hold a number key (1-6) to enter programming mode; The corresponding number blinks on the screen; enter the stations to save on the selected preset.
- Repeat above step 1-2 to store additional stations.

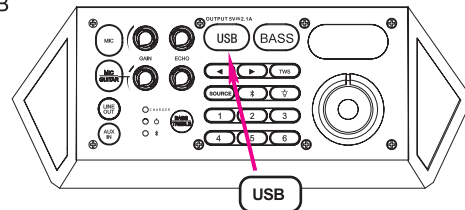
Store a favorite radio station

- Press the “Source” button to select FM source.
- Press the number 1-6 keys to select one of your favorite radio stations to listen.

USB CHARGING

- With the built in USB power bank, connect your USB cable to one of the two USB power ports. You can connect an iPhone, iPad, or any Android device. (USB cable not included)

Items	Parameters
Capacity of Built-in Battery	12V / 9A
Power Bank Output	voltage 5V/2.1A



AUTO STANDBY

When entering standby, the RED LED Power signal will turn on, and all other LED lights will turn off.

- **Bluetooth:** Standby mode enables when there is no BT connection, when it has been disconnected for 15 minutes, or if there is a connection failure.
- **AUX:** Standby mode enables when the speaker is in AUX mode and does not detect an AUX cable.
- **Work:** Standby mode enables in work mode by pressing and holding volume knob for 3 seconds.

“Wake up” from standby mode:

If the main unit is in Standby mode, press and hold the volume knob for 1 second. The main unit will turn on and return to the latest source mode. The Power Red LED Signal will turn off and the LED Screen will display the latest source once the main unit is in work mode.

TROUBLESHOOTING

General

No power

- Make sure AC power cord is fully inserted into the unit and the electrical outlet,
- Make sure Power switch is turned to the ON position.
- If battery is flat, plug AC power cord into electrical outlet to charge.

No Button/Key Response

- Turn Power switch to OFF, then back to ON to reset the unit.
- Unplug the AC power cord and plug it back in.

No Music Playing

- Make sure AUX/Bluetooth-connected device volume is turned up.
- Make sure Bluetooth-connected device is playing audio through BT.

Bluetooth Operations

Poor Audio Quality

- Bluetooth connection may be poor, move Bluetooth device closer to the unit.

Cannot Pair to Device

- Make sure the unit is not paired to another Bluetooth device.
- Make sure the unit's Bluetooth is switched to ON.
- Make sure the unit is in pairing mode (BLUE LED flashing).
- Turn Power switch to OFF, then back to ON. Press and hold BT button for 2 seconds to enter pairing mode.

Qi Wireless Charging

Device not charging/LED is red

- Make sure that your device is Qi-enabled.
- Make sure that your Rockin' Roller Charge is on.
- Make sure that your device is positioned correctly on your charging pad.
- Make sure that there are no other objects on the charging pad.
- Remove your device's case. It may be blocking the wireless signal.

Device charges slowly

- Your device may charge more slowly with the charging pad than a charging cable.
- Make sure that your device is positioned correctly on your charging pad.

SPECIFICATIONS

General	
Input(s) / Output(s)	Bluetooth / FM / AUX
Power Input	AC100-240V~50/60Hz
Power Save	When the unit is not being used for over 15 minutes it will automatically enter standby mode (BT and AUX mode only)
Speaker Output	100W
Driver Layout	8" (woofer) + 3" (full range)
Cabinet Material	Plastic
Dimensions (W x H x D)	16.7" x 20.6" x 9.05"
Weight	21 lbs
THD + Noise	<10%
S/N	>75dB

Operating Temperature	
Operating Temperature Range	32 F° - 95 F°
Operating Humidity Range	40~90% RH
Storage Temperature Range	-13F° to 158F°

Button Key	
Power On / Off	Power On: Switch key to "ON" Power Off: Switch key to "OFF"
Source	Press to change between "BT", "AUX IN", or "FM"
Volume Knob	1. Rotate VOLUME knob to increase / decrease volume. 2. Press and hold the VOLUME knob for 3s to enter standby status.
Bluetooth	1. Press and hold to enter pairing mode.
Previous / Next Key	Press and hold to search radio stations when in FM mode.
Preset	Press 1-6 to play preset station. Press and hold to store current station to preset.
Battery Level	Press button to activate LED display.

Connections	
3.5mm AUX In	x1
3.5mm AUX Out	x1
USB Port	x1 (5V 2.1A)
AC In	x1
1/4" Line in	x 2

Bluetooth	
Bluetooth Version	BLE Module:4.0/ BT Module:4.2
Bluetooth Profile	A2DP, AVRCP
Bluetooth Range	20m (65 ft.)

Limited Warranty

Model: Rockin' Roller Charge

This Monster-branded product, marketed as new, in the original carton to the original purchaser ("Product"), is warranted by Russell Distribution Company, LLC against manufacturing defects in materials and workmanship for a limited warranty period of Ninety (90) Days for Labor and One (1) year for Parts. This Limited Warranty is conditioned upon proper use of Product by you, the Purchaser.

This Limited Warranty does not apply to store display products and product sold as a 'marked down' special, in as is condition, 'close outs', "liquidation and clearance sales", "open box", products missing accessories, or no fault found.

Proof of purchase in the form of a Bill of Sale, Receipt or Receipted Invoice is evidence the Product is within the limited warranty period. The Bill of Sale, Receipt or Receipted Invoice must be presented as a pre-condition to obtaining the limited warranty service.

This limited warranty begins on the original date of purchase and is valid only on Products purchased through authorized dealers and used In the United States, and Puerto Rico, by the original Purchaser. To receive warranty service, the Purchaser must first contact us for problem determination and service procedures. The original dated bill of sale, receipt or receipted invoice must be presented upon request as proof of purchase.

We will repair your product or if repairs cannot be made, we will replace it at no charge with the same or similar product. If the Product is defective as specified in this limited warranty during the limited warranty period, we may use new or remanufactured parts to repair the Product. All replaced parts and products become our property and must be returned to us. Replacement parts and products assume the remaining original limited warranty, or ninety (90) days, whichever is longer.

Product freight must be prepaid by you, the original Purchaser and shipped in either its original packaging or packaging affording an equal degree of protection. We will not be responsible for or obligated to replace damaged Products.

If the Product is received damaged, it is your responsibility as the consumer to file a claim against the carrier. We will only store the damaged Product for 30 days and reserve the right, in our sole discretion, to dispose of the damaged Product or ship it back to you at your expense after 30 days. This limited warranty covers manufacturing defects in materials and workmanship encountered in normal, and except to the extent otherwise expressly provided for in this statement noncommercial use of this Product, and shall not apply to the following, including, but not limited to: Damage which occurs in shipment; delivery and installation; applications and uses for which this Product was not intended; altered Product or serial numbers; cosmetic damage or exterior finish; accidents, abuse, neglect, fire, water, lightning or other acts of nature; use of products, equipment, systems, utilities, services, hardware, supplies, accessories, applications, installations, repairs, external wiring or connectors not supplied or authorized by us or the manufacturer, which damage this Product or result in service problems; incorrect electrical line voltage, fluctuations and surges; customer adjustments and failure to follow operating instructions, cleaning, maintenance and environmental instructions that are covered and prescribed in the instruction book; reception problems and distortion related to noise, echo, interference or other signal transmission and delivery problems; burned-in images. Uninterrupted or error-free operation of the Product is not warranted.

THERE ARE NO EXPRESS OR IMPLIED WARRANTIES OTHER THAN THOSE LISTED AND DESCRIBED ABOVE, AND NO WARRANTIES WHETHER EXPRESS OR IMPLIED, INCLUDING, BUT NOT LIMITED TO, ANY IMPLIED WARRANTIES OF MERCHANTABILITY OR FITNESS FOR A PARTICULAR PURPOSE, SHALL APPLY AFTER THE EXPRESS WARRANTY PERIODS STATED ABOVE, AND NO OTHER EXPRESS WARRANTY OR GUARANTY GIVEN BY ANY PERSON, FIRM OR CORPORATION WITH RESPECT TO THIS PRODUCT SHALL BE BINDING ON US. REPAIR OR REPLACEMENT AS PROVIDED UNDER THIS LIMITED WARRANTY IS YOUR EXCLUSIVE REMEDY AS THE CONSUMER. WE SHALL NOT BE LIABLE FOR ANY INCIDENTAL, OR CONSEQUENTIAL DAMAGES FOR BREACH OF ANY EXPRESS OR IMPLIED WARRANTY ON THIS PRODUCT; EXCEPT TO THE EXTENT PROHIBITED BY APPLICABLE LAW, ANY IMPLIED WARRANTY OF MERCHANTABILITY OR FITNESS FOR A PARTICULAR PURPOSE ON THIS PRODUCT IS LIMITED FOR THE DURATION OF THIS LIMITED WARRANTY THIS LIMITED WARRANTY SHALL NOT EXTEND TO ANYONE OTHER THAN THE ORIGINAL PURCHASER OF THIS PRODUCT, IS NONTRANSFERABLE AND STATES YOUR EXCLUSIVE REMEDY.

Some states do not allow limitations on how long an implied warranty lasts, or the exclusion or limitation of incidental or consequential damages, so the above limitations or exclusions may not apply to you. This limited warranty gives you specific legal rights, and you may also have other rights, which vary from state to state. Any provision contained herein which is found contrary to state or local laws shall be deemed null and void and the remaining provisions shall continue in full force and effect.

To obtain warranty service:

Telephone: 800-976-0677

Ver. 130828-i



Monster and the M Monster logo are registered trademarks of Monster, Inc. and its subsidiaries in the U.S. and other countries, used under license.

The N-Mark is a trademark or registered trademark of NFC Forum, Inc. in the United States and in other countries."

The Bluetooth® word mark and logos are registered trademarks owned by Bluetooth SIG, Inc. Other trade marks and trade names are those of their respective owners.

NWS, NOAA, and the NOAA Radio logo are registered trademarks of the National Weather Service in the United States and used with kind permission.

Printed in China Version: 1.0



FOR QUESTIONS OR TECHNICAL SUPPORT

Please call:

1.800.976.0677

Please do not return this product to the store.

The Responsible Party Information as follow:

E&S INTERNATIONAL ENTERPRISES, INC.
7801 Hayvenhurst Ave., Van Nuys, CA 91406, USA
Tel: (+1) 818-887 0700, Fax: (+1) 818-702 2395