

DISCLAIMER / 免责声明

DO NOT PRINT THIS PAGE!

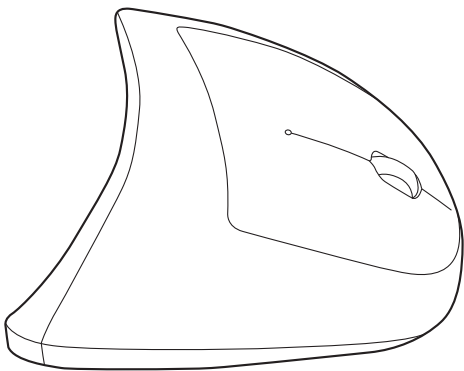
不要打印此页面！

Service type	What is included?	What is NOT included?	Performed Service
New Manual Writing	<ul style="list-style-type: none"> New manual development Research about norms and legal standards applicable to this product Inclusion of regulations listed in technical protocol provided by lab. Project Management and Communication with Vendors Technical Drawing creation Color marking of mandatory safety instructions and common market practice Translation to required additional languages and multilingual desktop publishing 		
Rebranding	<ul style="list-style-type: none"> Vendor manual Impala QC check Professional proofreading of the English vendor manual Typesetting into Amazon standard layout Technical Drawing creation Translation to required additional languages and multilingual desktop publishing 	<ul style="list-style-type: none"> Review / Compliance check of safety instructions provided by vendor Review / verification of operational parts 	

Vendor	Paper size	Market	Manual type

Color codes	Safety instructions marked in BLUE	<ul style="list-style-type: none"> Mandatory safety instructions taken from the applicable standard / norm. Content is based on the safety standard. Text can be modified only in selected cases.
	Safety instructions marked in ORANGE	<ul style="list-style-type: none"> Common market practice safety instructions. Not mandatory but suggested.
<ul style="list-style-type: none"> NOTE: Some safety instructions may apply to selected jurisdictions (United States, Canada, United Kingdom, European Union) only. NOTE: These color codes are intended to ease the validation process for Amazon and the lab. The color notes will be deleted prior to publication of the document. 		

amazonbasics



Vertical Ergonomic 2.4G Wireless Optical Mouse

Product Name FR

Product Name DE

Product Name IT

Product Name ES

Product Name JP

B07NR78GS6



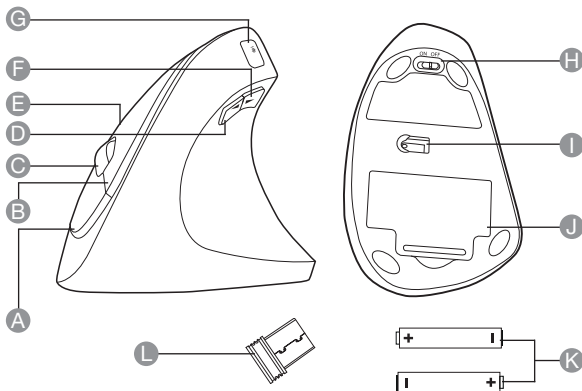
FC

CE

English	3
Français	XX
Deutsch.....	XX
Italiano	XX
Español	XX
日本語.....	XX

Contents:

Before getting started, ensure the package contains the following components:



- | | |
|--------------------------|-------------------------------|
| A Right button | G DPI button |
| B Left button | H ON/OFF switch |
| C Scroll wheel | I Sensor |
| D Forward button | J Battery cover |
| E Indicator light | K AAA / LR03 batteries |
| F Backward button | L Nano receiver |

IMPORTANT SAFEGUARDS



Read these instructions carefully and retain them for future use. If this product is passed to a third party, then these instructions must be included.

When using electrical appliances, basic safety precautions should always be followed to reduce the risk of fire, electric shock, and/or injury to persons including the following:

- Read all instructions.
- Only use this product for its intended use.
- Do not use this product if damaged.
- Do not insert any foreign objects into the inside of the casing.
- Protect the product from extreme temperatures, hot surfaces, open flames, direct sunlight, water, high humidity, moisture, strong jolts, flammable gases, vapors and solvents.



CAUTION

Risk of eye damage! Do not look directly into the sensor to avoid causing any harm to the eye.

Battery Warnings

- Do not mix old and new batteries or batteries of different types or brands.
- Exhausted batteries should be immediately removed from the product and properly disposed.
- Keep batteries out of the reach of children.
- Do not dispose of batteries in fire.
- Remove batteries from product if it is not to be used for an extended period of time unless it is for emergency purposes.
- If the battery leaks, avoid contact with skin and eyes. Rinse affected areas immediately with plenty of water. Then, consult a doctor.
- Store unused batteries in their original packaging away from metal objects. If already unpacked, do not mix or jumble batteries.

Intended Use

- This product is a wireless computer peripheral intended for interacting with your desktop/laptop.
- This product is intended to be used in dry indoor areas only.
- No liability will be accepted for damages resulting from improper use or non-compliance with these instructions.

Before First Use

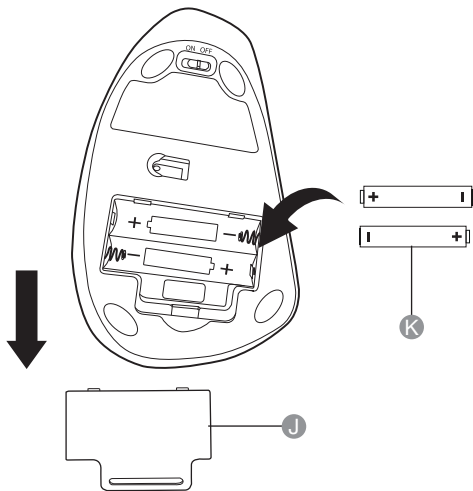
- Check for transport damages.

⚠ DANGER

Risk of suffocation! Keep any packaging materials away from children – these materials are a potential source of danger, e.g. suffocation.

Setup

Inserting batteries



- Remove the battery cover (J).
- Insert two AAA / LR03 batteries (K).

⚠ NOTICE

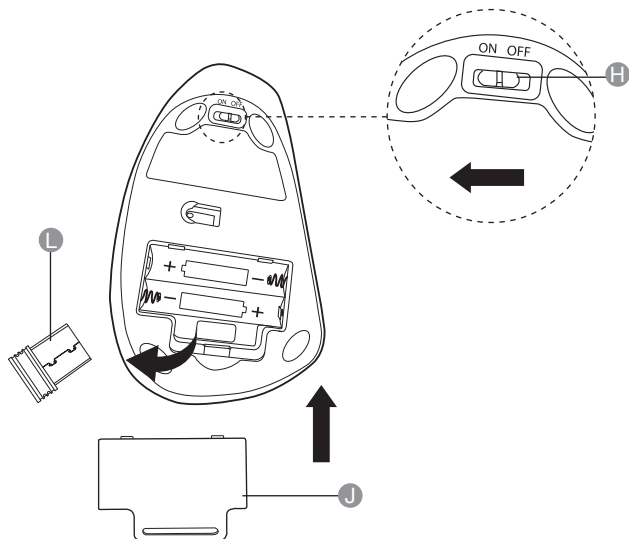
Always insert batteries correctly with regard to polarity (+ and -) marked on the battery and the product.

⚠ NOTICE

Replace the batteries, when the indicator light (E) flashes 10 times.

Setup

Pairing



- Take out the nano receiver (L) and close the battery compartment.
- Plug the nano receiver into a USB port on the computer.
- Slide the ON/OFF switch (H) to the ON position.

⚠ NOTICE

The nano receiver automatically pairs with the mouse. If the connection fails or is interrupted, switch the mouse off. Subsequently, disconnect and reconnect the receiver, and slide the ON/OFF switch to the ON position again.

Operation

Functions

- Forward button (D): Press this button to view the next page in your Internet browser.
- Backward button (F): Press this button to view the previous page in your Internet browser.
- Left button (B): Performs left click function according to the computer settings.
- Right button (A): Performs right click function according to the computer settings.
- Scroll wheel (C): Moves up/down on the computer screen. Offers a third click function according to the computer settings.
- ON/OFF switch (H): Switches the mouse on and off.
- DPI button (G): Toggles between three DPI settings: 800 DPI, 1200 DPI (default) and 1600 DPI.

NOTICE

The indicator light (E) flashes once for 800 DPI, twice for 1200 DPI and 3 times for 1600 DPI.

Features

- Multi-level intelligent power-saving: This feature limits the current consumption based on the duration for which the product is idle. The product enters one of the three levels of sleep mode that allow power-saving. This is listed in the table below:

Product idle for	Sleep mode	Current consumption
1 second	First-class; move the product to wake it	< 0.3 mA
45 seconds	Second-class; move the product to wake it	< 0.2 mA
8 minutes	Third-class; press any button or move the scroll wheel to wake it	< 30 μ A

NOTICE

The sensor LED goes off in the third-class sleep mode.

- Low-voltage indicator: At low-voltage (between 1.9 V and 2.1 V), the indicator light (E) continuously flashes 10 times and then goes out. This suggests that the batteries need to be replaced. The product continues to operate. However, when the voltage falls below 1.9 V the product will stop operating.

Cleaning and Maintenance

**NOTICE**

Switch the product off before cleaning.

**NOTICE**

Do not immerse the electrical parts of the product in water or other liquids. Never hold the product under running water.

Cleaning

- Clean the battery contacts and also those of the product prior to battery installation.
- To clean, wipe with a soft, slightly moist cloth.
- Dry the product after cleaning.
- Never use corrosive detergents, wire brushes, abrasive scourers, metal or sharp utensils to clean the product.

Maintenance

- Store in a cool and dry place away from children and pets, ideally in original packaging.
- Avoid any vibrations and shocks.

FCC Compliance Statement

1. This device complies with Part 15 of the FCC rules. Operation is subject to the following two conditions:
 - (1) this device may not cause harmful interference, and
 - (2) this device must accept any interference received, including interference that may cause undesired operation.
2. Changes or modifications not expressly approved by the party responsible for compliance could void the user's authority to operate the equipment.

FCC Interference Statement

This equipment has been tested and found to comply with the limits for a Class B digital device, pursuant to part 15 of the FCC Rules. These limits are designed to provide reasonable protection against harmful interference in a residential installation. This equipment generates, uses and can radiate radio frequency energy and, if not installed and used in accordance with the instructions, may cause harmful interference to radio communications. However, there is no guarantee that interference will not occur in a particular installation. If this equipment does cause harmful interference to radio or television reception, which can be determined by turning the equipment off and on, the user is encouraged to try to correct the interference by one or more of the following measures:

- Reorient or relocate the receiving antenna.
- Increase the separation between the equipment and receiver.
- Connect the equipment into an outlet on a circuit different from that to which the receiver is connected.

- Consult the dealer or an experienced radio/TV technician for help.

Canada IC Notice

- This device contains licence-exempt transmitter(s)/receiver(s) that comply with Innovation, Science and Economic Development Canada's licence-exempt RSS(s). Operation is subject to the following two conditions:
 - (1) This device may not cause interference.
 - (2) This device must accept any interference, including interference that may cause undesired operation of the device.
- This equipment complies with Industry Canada radiation exposure limits set forth for an uncontrolled environment.
- This **Class B** digital apparatus complies with Canadian **CAN ICES-3(B) / NMB-3(B)** standard.

Simplified EU Declaration of Conformity

- Hereby, Amazon EU Sarl declares that the radio equipment type **B07NR78GS6** is in compliance with Directive **2014/53/EU**.
- The full text of the EU declaration of conformity is available at the following internet address:
https://www.amazon.co.uk/amazon_private_brand_EU_compliance

Disposal



The Waste Electrical and Electronic Equipment (WEEE) Directive aims to minimize the impact of electrical and electronic goods on the environment, by increasing re-use and recycling and by reducing the amount of WEEE going to landfill. The symbol on this product or its packaging signifies that this product must be disposed separately from ordinary household wastes at its end of life. Be aware that this is your responsibility to dispose of electronic equipment at recycling centers in order to conserve natural resources. Each country should have its collection centers for electrical and electronic equipment recycling. For information about your recycling drop off area, please contact your related electrical and electronic equipment waste management authority, your local city office, or your house hold waste disposal service.

Battery Disposal



Do not dispose of used batteries with your household waste. Take them to an appropriate disposal/collection site.

Specifications

Power supply (voltage/battery type):	2x 1.5 V AAA / LR03 batteries
Current consumption:	< 10 mA
Weight (without battery):	approx. 3.3 oz (94 g)
Dimensions (L x W x H):	approx. 4.8 x 2.8 x 3.1 in (124 x 71 x 78 mm)
OS compatibility:	Windows, Mac, Linux
Transmission power:	< 0 dBm
Frequency band:	2408 – 2474 MHz
Ambient working temperature:	-4 to +131 °F (-20 to +55 °C)

Warranty Information

To obtain a copy of the warranty for this product:



For US - Visit amazon.com/AmazonBasics/Warranty

For UK - Visit amazon.co.uk/basics-warranty

— or —



Contact Customer Service at **1-866-216-1072**

Feedback

Love it? Hate it?

Let us know with a customer review.

AmazonBasics is committed to delivering customer-driven products that live up to your high standards. We encourage you to write a review sharing your experiences with the product.

Please visit: amazon.com/review/review-your-purchases#



For further services:



Visit amazon.com/gp/help/customer/contact-us

— or —



Contact Customer Service at **1-866-216-1072**

amazonbasics

amazon.com/AmazonBasics

MADE IN CHINA
FABRIQUÉ EN CHINE
HERGESTELLT IN CHINA
PRODOTTO IN CINA
HECHO EN CHINA
中国製