

规格承认书

SPECIFICATION FOR APPROVAL

客户 Customer	文巡
项目名称 Project Name	UC01
客户料号 Customer NO.	
规格 specification	内置LDS天线
供方料号 Supplier NO.	NOZ-1867-ROA
规格书编号 Specification NO.	
编写人 Write by	周洪亮
版本 REV.	Ver.1
日期 Date	2023/10/12
备注 Note	

客户确认 CUSTOMER APPROVED BY		
批准 Approved by	审核 Checked by	制表 Prepared by
供方确认 SUPPLIER APPROVED BY		
批准 Approved by	审核 Checked by	制表 Prepared by

版本变更记录				
变更日期	变更内容	版本	变更人	批准人

1. 承认书项目表 (Index)

序号	内容	页码
-	承认书封面	1
-	版本变更记录	2
1	承认书项目表	3
2	试验设备和条件	4
3	样机结构说明件	5
4	天线成品图	6
5	S11	7
6	增益/效率/3D图	8

2. 试验设备和条件(Test Equipment & Conditions)

2.1. **Network Analyzers** : KEYSIGHT P5002A

2.2. **Communications Test Set**: R&S CMW 500

2.3. **3D Chamber Test System**: 64探头测试系统

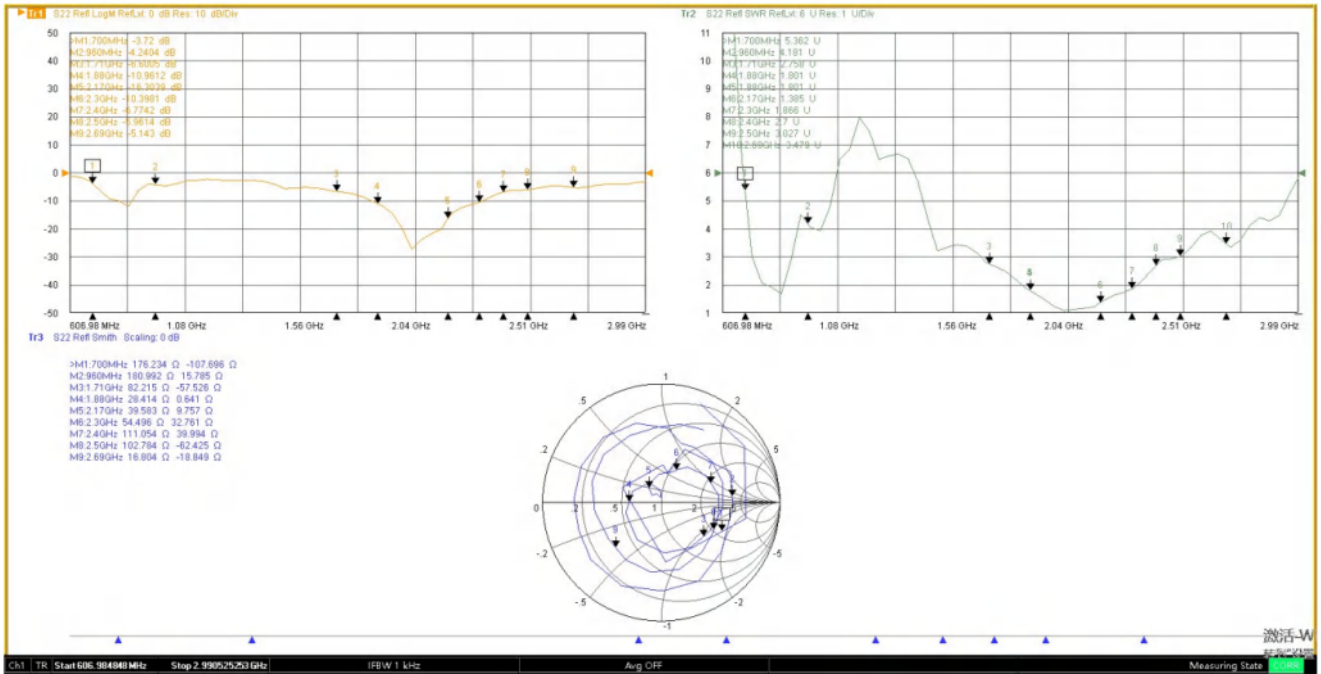


3. 样机结构说明件(Mechanical instruction)

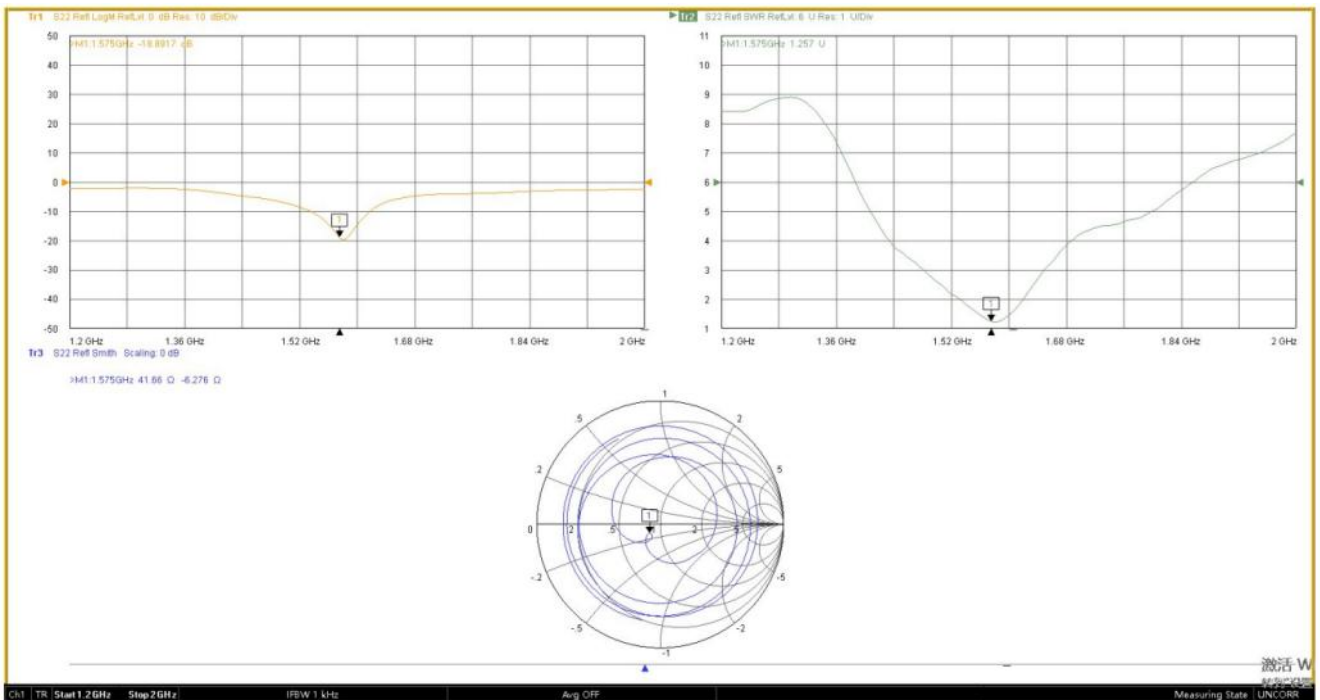


4. S11

主天线

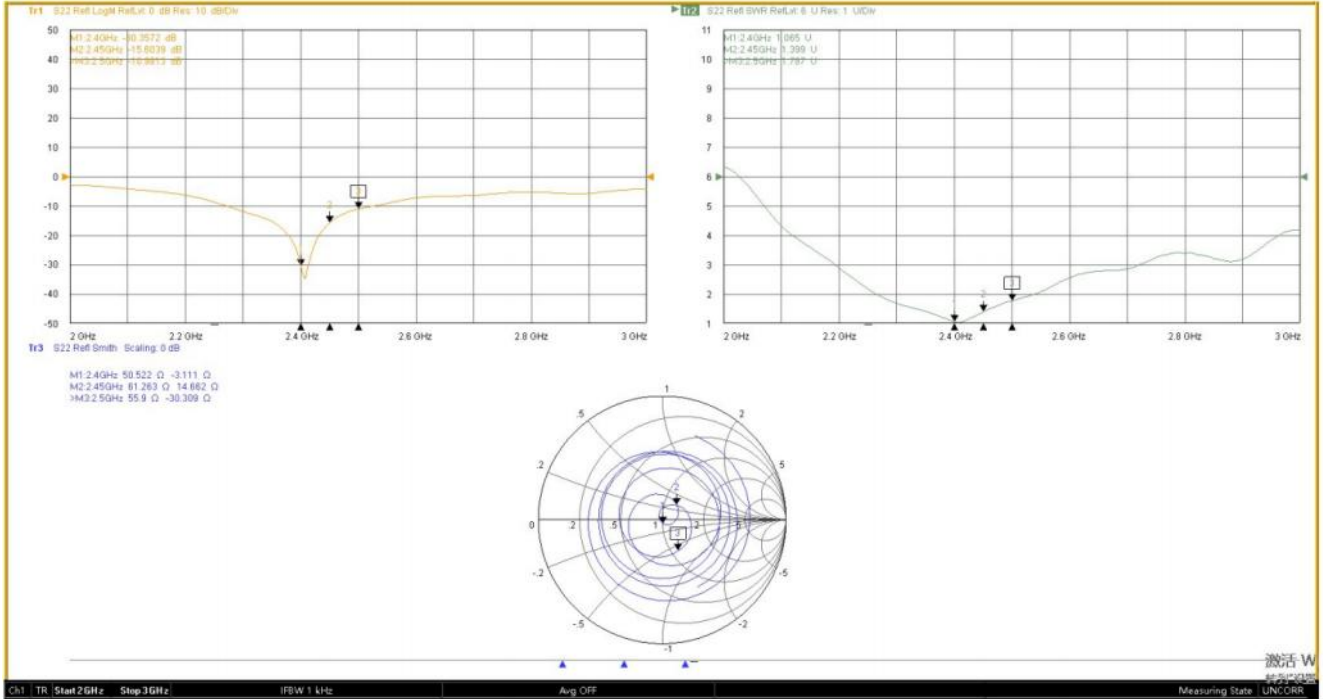


GPS天线

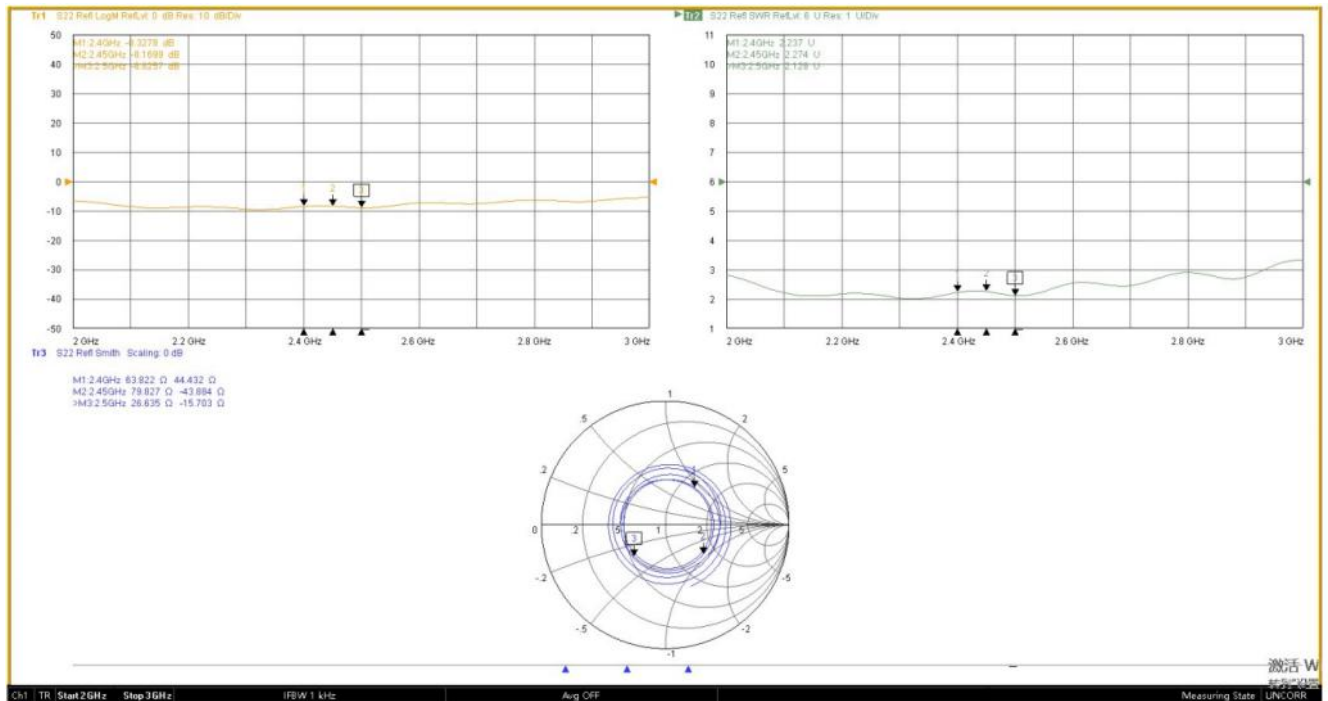


4. S11

WIFI天线



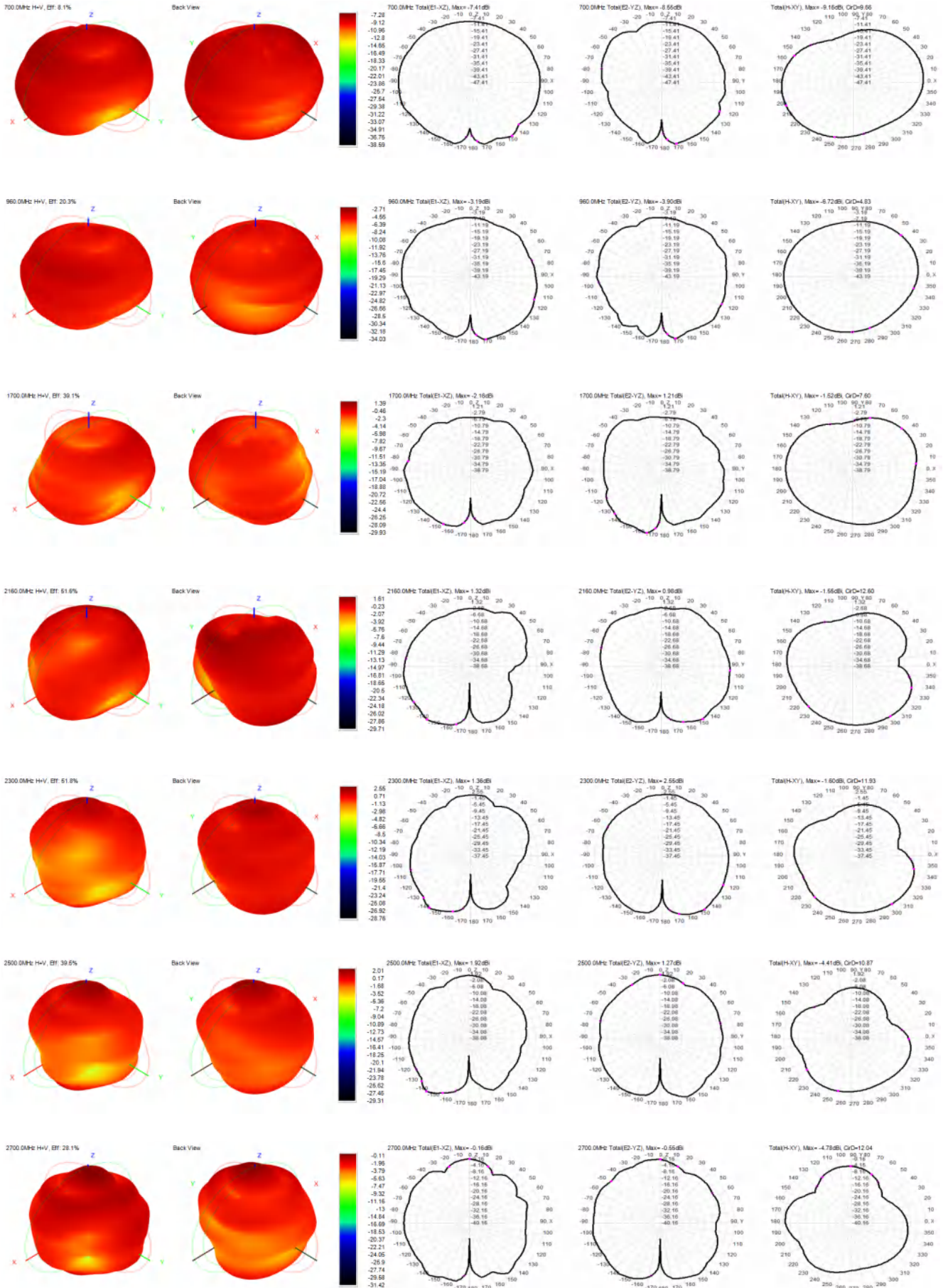
BT天线



5. 无源数据-主天线

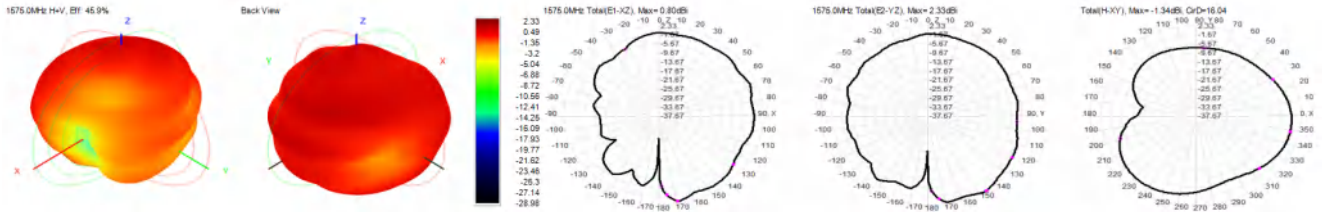
Frequency (MHz)	Gain (dBi)	Efficiency (%)	Frequency (MHz)	Gain (dBi)	Efficiency (%)
700.0	-7.28	8.11	1880.0	1.36	46.91
710.0	-5.85	10.86	1900.0	1.33	50.66
720.0	-4.99	13.78	1920.0	1.38	51.15
730.0	-4.10	16.28	1940.0	1.19	47.90
740.0	-2.25	21.47	1960.0	0.85	50.90
750.0	-1.55	25.55	1980.0	0.52	47.52
760.0	-1.69	26.82	2000.0	0.23	46.36
770.0	-1.82	25.54	2020.0	0.63	51.32
780.0	-2.56	25.12	2040.0	0.16	48.09
790.0	-2.85	25.75	2060.0	0.32	44.99
800.0	-2.01	25.91	2080.0	0.83	47.39
810.0	-1.42	26.70	2100.0	1.16	48.02
820.0	-0.98	26.67	2120.0	1.39	48.07
830.0	-1.15	25.40	2140.0	1.46	48.86
840.0	-1.65	24.57	2160.0	1.61	51.65
850.0	-1.86	24.84	2180.0	1.83	49.62
860.0	-1.29	26.38	2300.0	2.55	51.82
870.0	-0.84	28.72	2320.0	2.42	52.27
880.0	-1.61	27.44	2340.0	2.29	49.40
890.0	-2.56	24.89	2360.0	2.47	48.98
900.0	-2.89	24.24	2380.0	2.01	47.44
910.0	-2.83	24.21	2400.0	2.34	46.39
920.0	-2.37	24.76	2420.0	2.22	43.69
930.0	-2.56	25.24	2440.0	1.66	42.64
940.0	-2.79	24.32	2460.0	1.67	41.61
950.0	-3.01	21.84	2480.0	1.84	39.08
960.0	-2.71	20.28	2500.0	2.01	39.48
1000.0	-3.29	17.59	2520.0	1.46	38.22
1700.0	1.39	39.09	2540.0	1.46	34.75
1720.0	1.68	44.30	2560.0	0.98	34.95
1740.0	1.82	43.30	2580.0	0.94	35.03
1760.0	1.98	42.67	2600.0	0.37	33.81
1780.0	1.60	45.83	2620.0	-0.02	31.43
1800.0	1.31	45.92	2640.0	-0.17	31.48
1820.0	1.17	47.38	2660.0	0.43	31.17
1840.0	1.54	51.48	2680.0	-0.45	28.26
1860.0	1.48	48.12	2700.0	-0.11	28.08

5. 无源数据-主天线



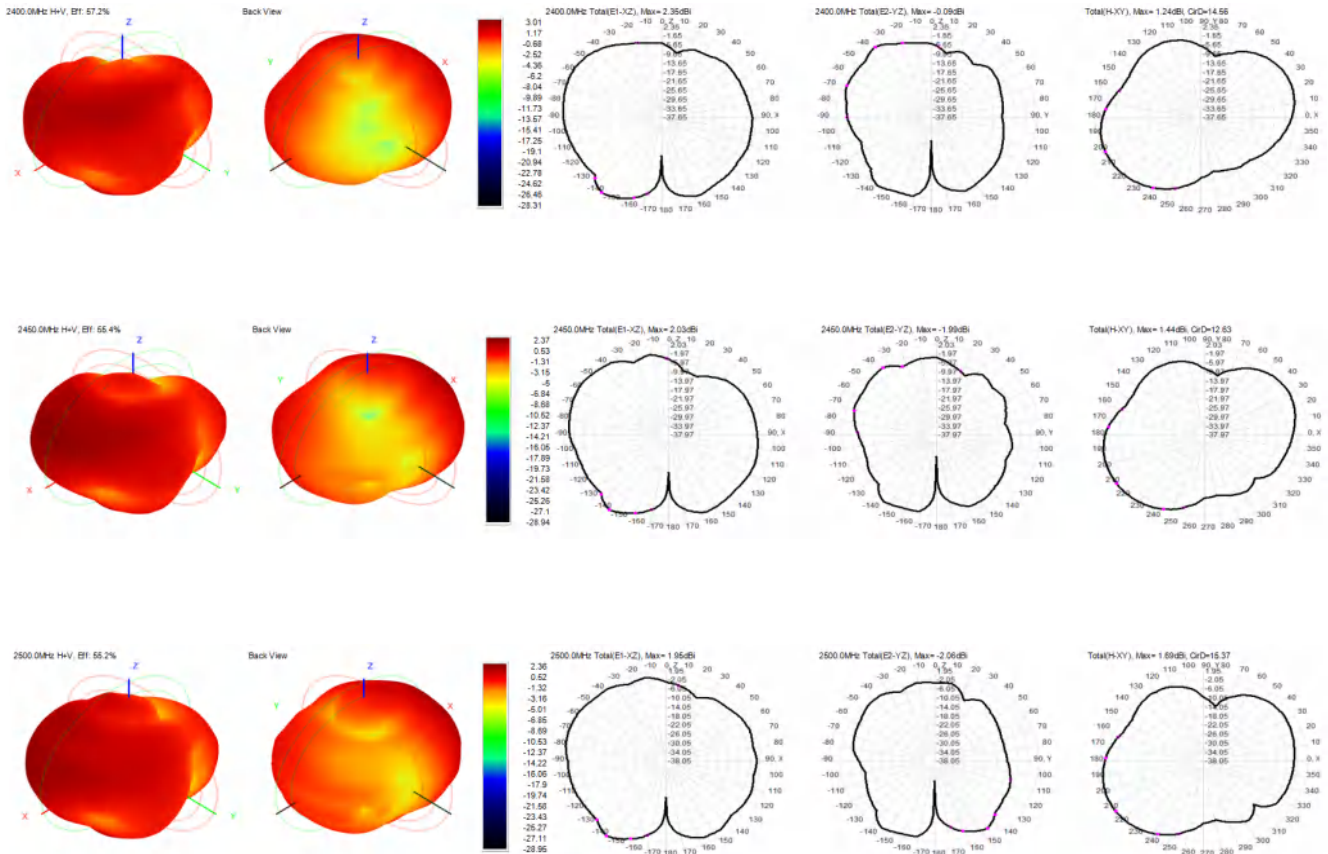
5. 无源数据-GPS天线

Frequency (MHz)	Gain (dBi)	Efficiency (%)
1560.0	2.13	42.69
1565.0	2.24	43.71
1570.0	2.29	46.02
1575.0	2.33	45.93
1580.0	2.35	44.26
1585.0	2.29	42.89
1590.0	2.14	41.89



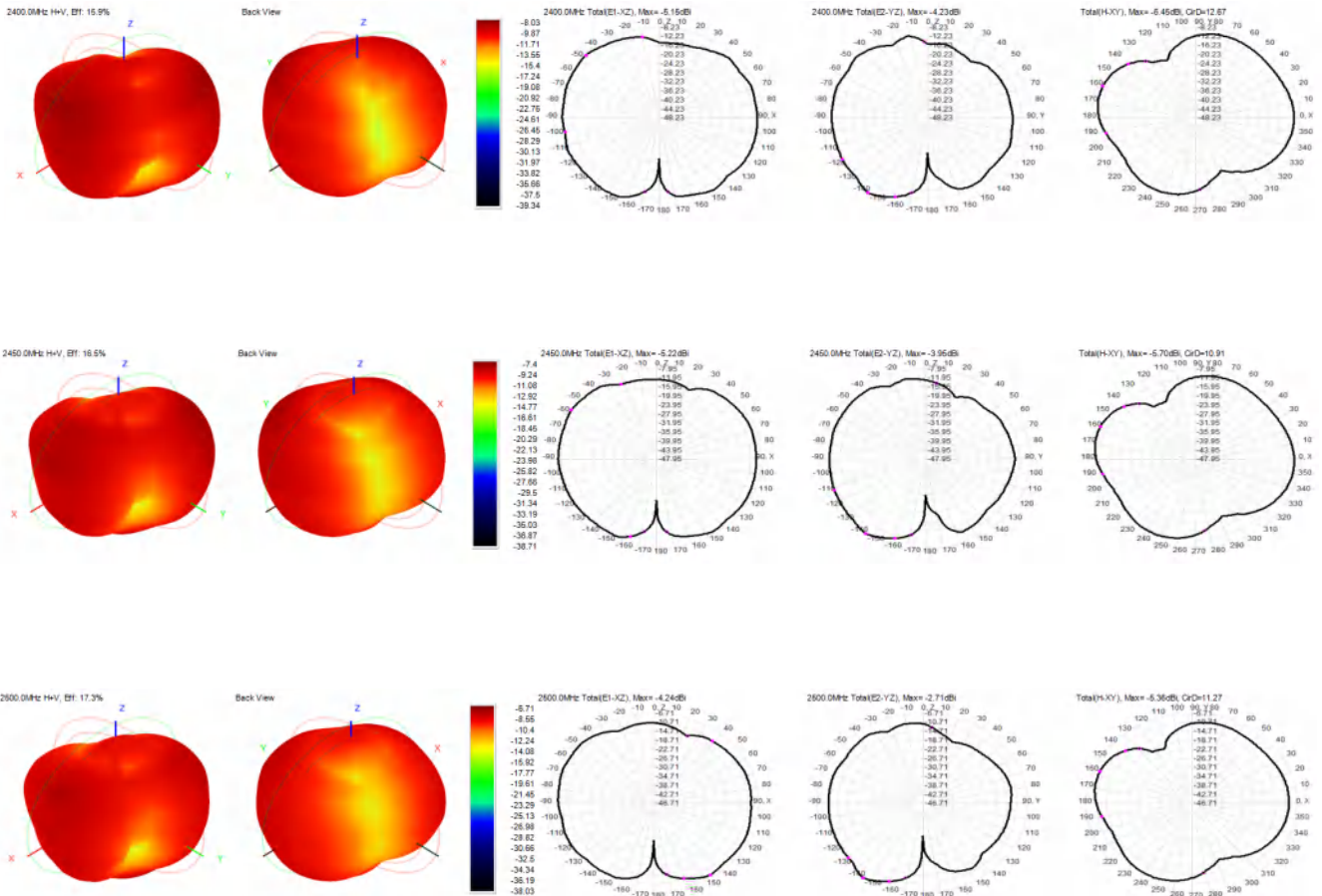
5. 无源数据-WIFI天线

Frequency (MHz)	Gain (dBi)	Efficiency (%)
2400.0	3.01	47.24
2410.0	3.16	48.43
2420.0	3.24	47.71
2430.0	3.11	46.24
2440.0	2.79	45.63
2450.0	2.37	45.37
2460.0	2.32	45.37
2470.0	2.79	45.43
2480.0	2.92	44.30
2490.0	2.62	44.57
2500.0	2.36	45.24



5. 无源数据-BT天线

Frequency (MHz)	Gain (dBi)	Efficiency (%)
2400.0	-4.03	15.92
2410.0	-3.47	16.13
2420.0	-3.43	16.18
2430.0	-3.77	16.24
2440.0	-3.69	16.45
2450.0	-3.40	16.54
2460.0	-3.11	16.62
2470.0	-2.57	17.05
2480.0	-2.33	17.38
2490.0	-2.66	17.04
2500.0	-2.71	17.34



6. 主天线OTA TEST

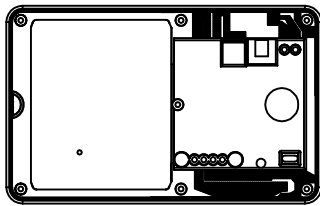
主天线OTA TEST									
LTE1	18050	1925	19.6		LTE12	23060	703	13.2	
	18300	1950	19.42			23095	706.5	13.42	
	18550	1975	19.41	-89.82		23130	710	13.38	-84.32
LTE2	18650	1855	19.32		LTE17	23780	709	12.45	
	18900	1880	19.43			23790	710	12	
	19150	1905	19.46	-92.77		23800	711	12.22	-86.25
LTE3	19250	1715	19.45		LTE18	23900	820	14.04	
	19575	1747.5	19.68			23925	822.5	14.05	
	19900	1780	19.66	-91.57		23950	825	14.42	-89.03
LTE4	20000	1715	19.61		LTE19	24050	835	15.4	
	20175	1732.5	19.59			24075	837.5	14.18	
	20350	1750	19.52	-89.46		24100	840	14.27	-89.52
LTE5	20450	829	15.24		LTE20	24200	837	14.48	
	20525	836.5	15.45			24300	847	14.11	
	20600	844	15.64	-90.75		24400	857	14.39	-85.99
LTE7	20800	2505	18.62		LTE25	26090	1855	19.49	
	21100	2535	18.84			26365	1882.5	19.90	
	21400	2565	18.68	-88.09		26640	1910	19.82	-92.9
LTE8	21500	885	16.35		LTE26	26740	819	14.05	
	21625	897.5	16.11			26865	831.5	14.52	
	21750	910	16.61	-90.6		26990	844	15.69	-90.04
W-B1	9612	1922.4	19.55		W-B5	4132	826.4	15.60	
	9750	1950	9.54			4185	837	15.41	
	9888	1977.6	19.64	-103.18		4233	846.6	15.69	-104.48
W-B2	9262	1852.4	19.54		W-B8	2712	882.4	16.65	
	9400	1880	19.65			2788	897.6	16.79	
	9538	1907.6	19.20	-105.44		2863	912.6	16.47	-102.45
GSM850	128	824.2	21.64		GSM1800	512	1710.2	25.74	
	190	836.6	22.2			698	1747.4	25.68	
	251	848.8	22.13	-101.61		885	1784.8	25.47	-103.32
GSM900	975	880.2	23.79		GSM1900	512	1850.2	24.87	
	37	897.4	23.56			661	1880	24.68	
	124	914.8	23.11	-101.81		810	1909.8	24.84	-103.52

成品名称: 组合天线

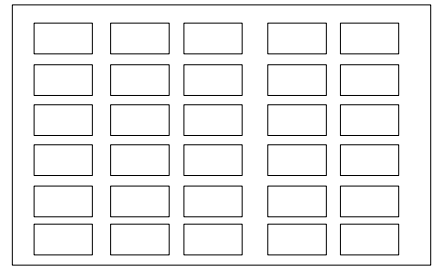
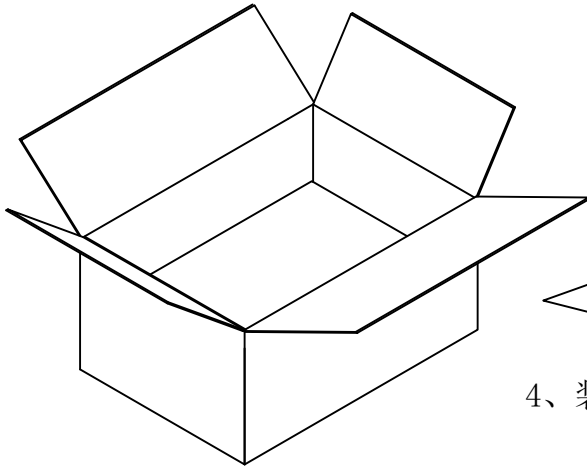
版本: A

客户: 文巡

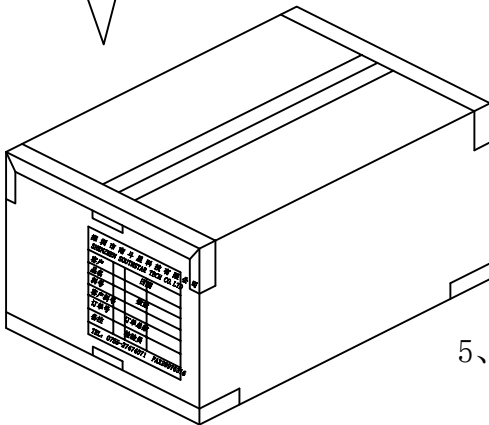
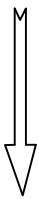
1. 天线



2. 产品装入吸塑格内;



4. 装箱, 每层加隔;



5. 封箱; 外箱贴我司生产标签和ROHS标签。

批准: _____

确认: _____

拟制: 李从放