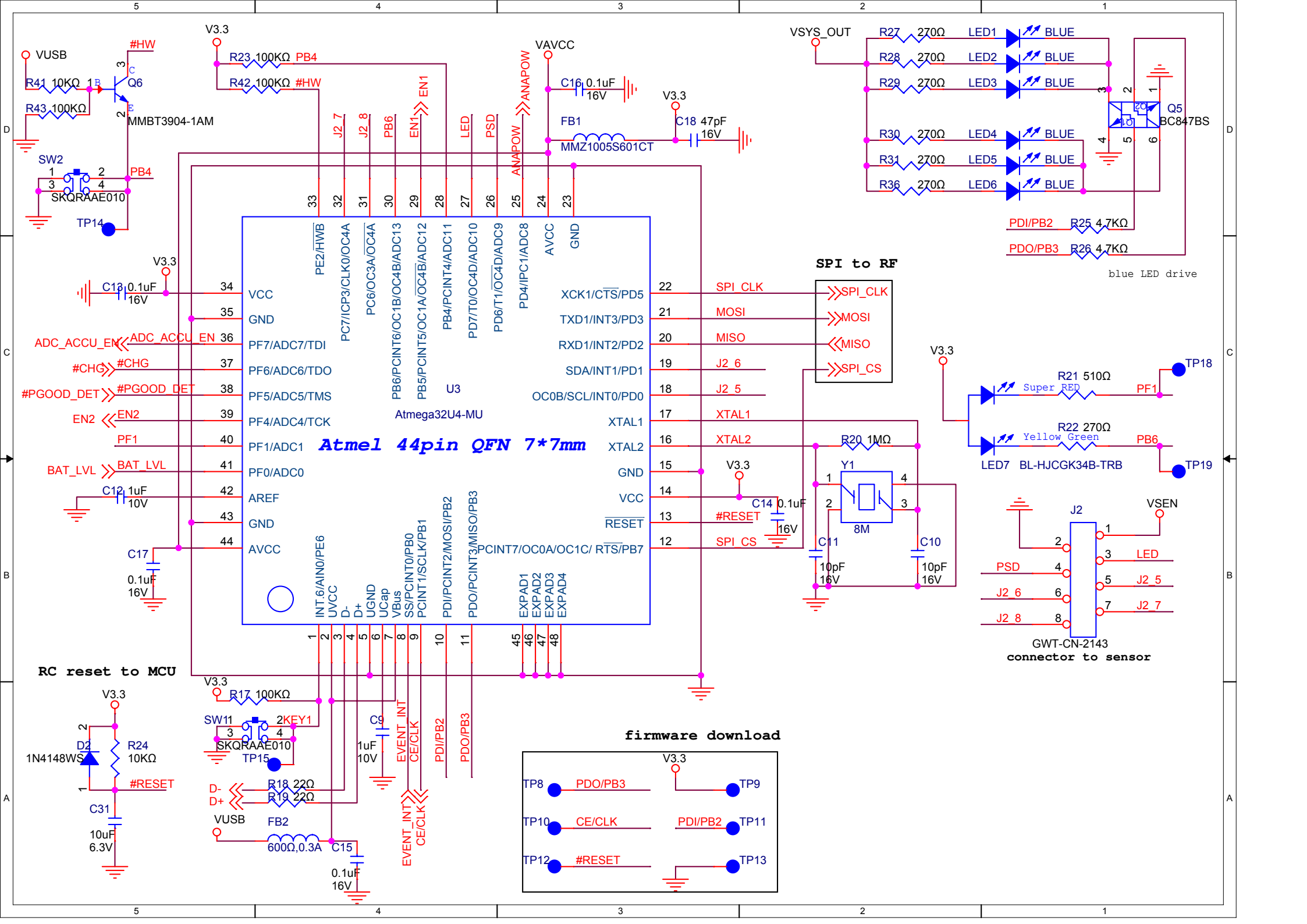


Rilim=1.18KΩ, ilim=1550AΩ/1.18KΩ≈1.5A
Riset=2.2KΩ, iset=890AΩ/2.2KΩ≈400mA.
Rtmr=46.4KΩ, fast-charge safe time 6.25h.
EN2,EN1=00,input curen Max=100mA.
EN2,EN1=01,input curen Max=500mA
EN2,EN1=10,input curen Set by an external resistor from ILIM to VSS.
EN2,EN1=11,Standby (USB suspend mode).

$$V_{out} = 0.6V * (1 + R14/R15)$$



Atmel 44pin QFN 7*7mm

Atmega32U4-MU

SPI to RF

**GWT-CN-2143
connector to sensor**

firmware download

blue LED drive

RC reset to MCU

