

1:1



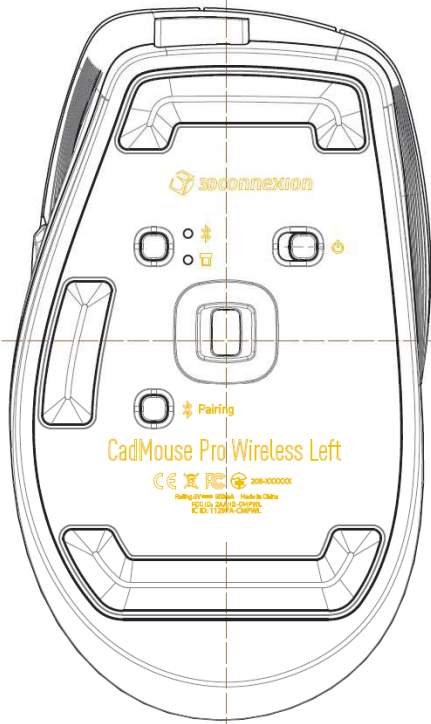
CadMouse Pro Wireless Left



Rating: 5V 500mA Made in China
FCC ID: 2A4HQ-CMPWL
IC ID: 11297A-CMPWL

P/N: 3DX-600066
PID: V1019019999

2:1



1:1



CadMouse Pro Wireless Left



Rating: 5V 500mA Made in China
FCC ID: 2A4HQ-CMPWL
IC ID: 11297A-CMPWL

P/N: 3DX-700079
PID: V1019019999

2:1