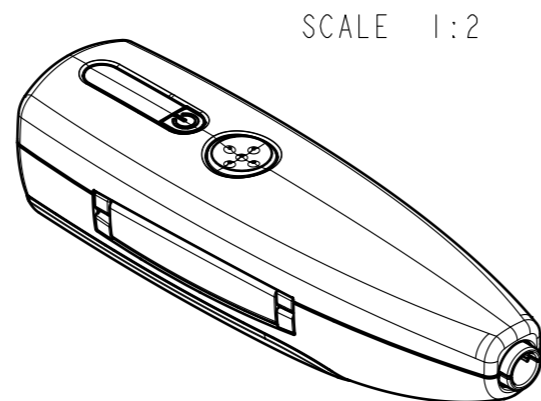
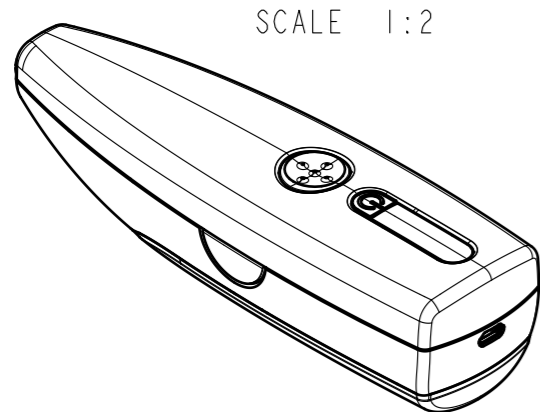
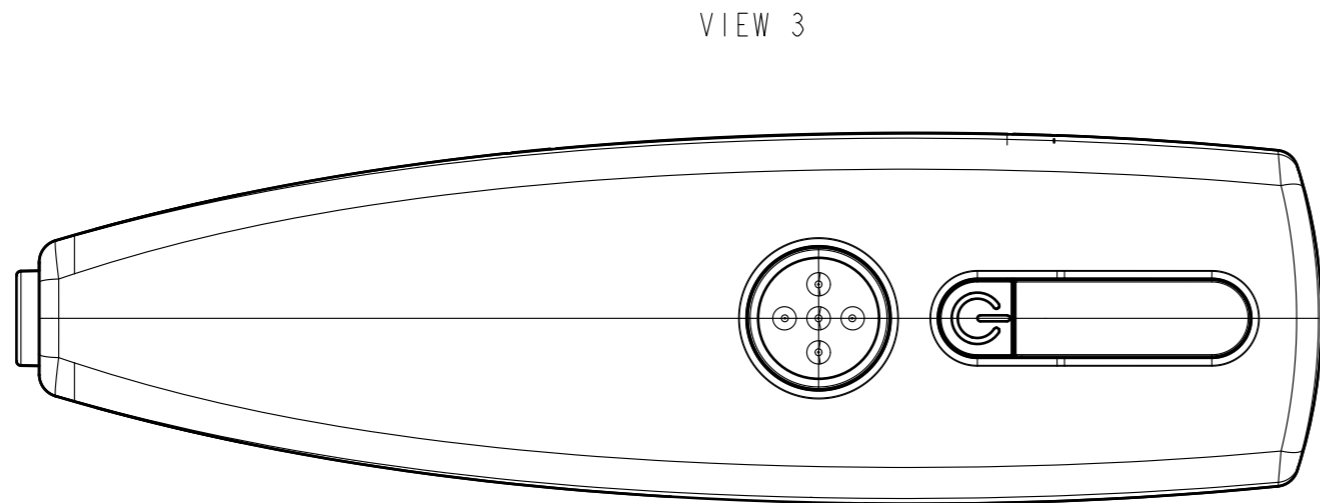
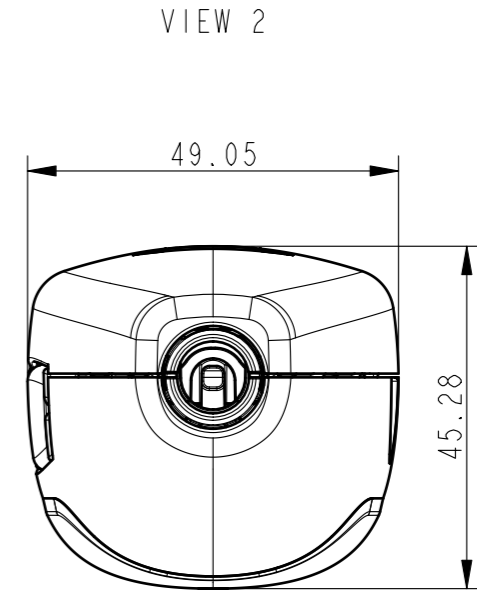
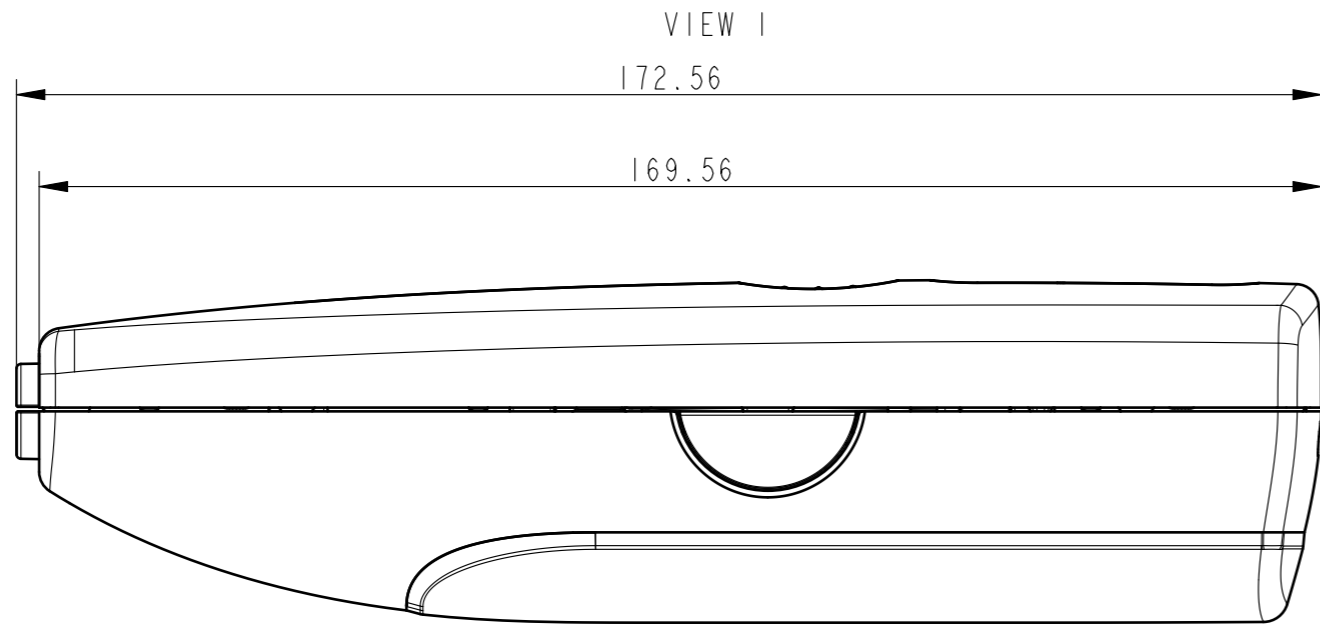


This drawing is the property of Bang & Olufsen Medicom a/s, Struer, Denmark and must not be transferred, lent or reproduced without an explicit written permission from the company.

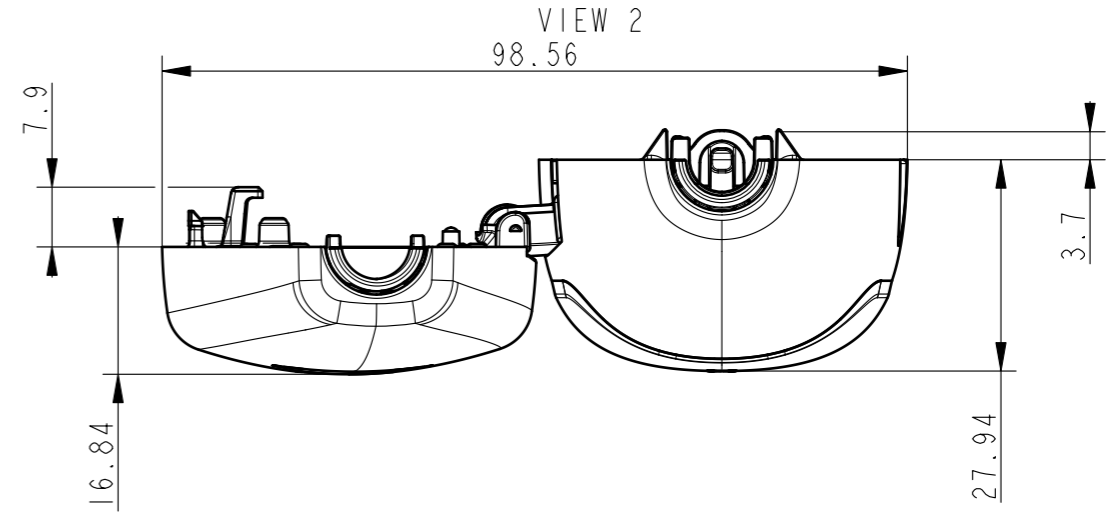
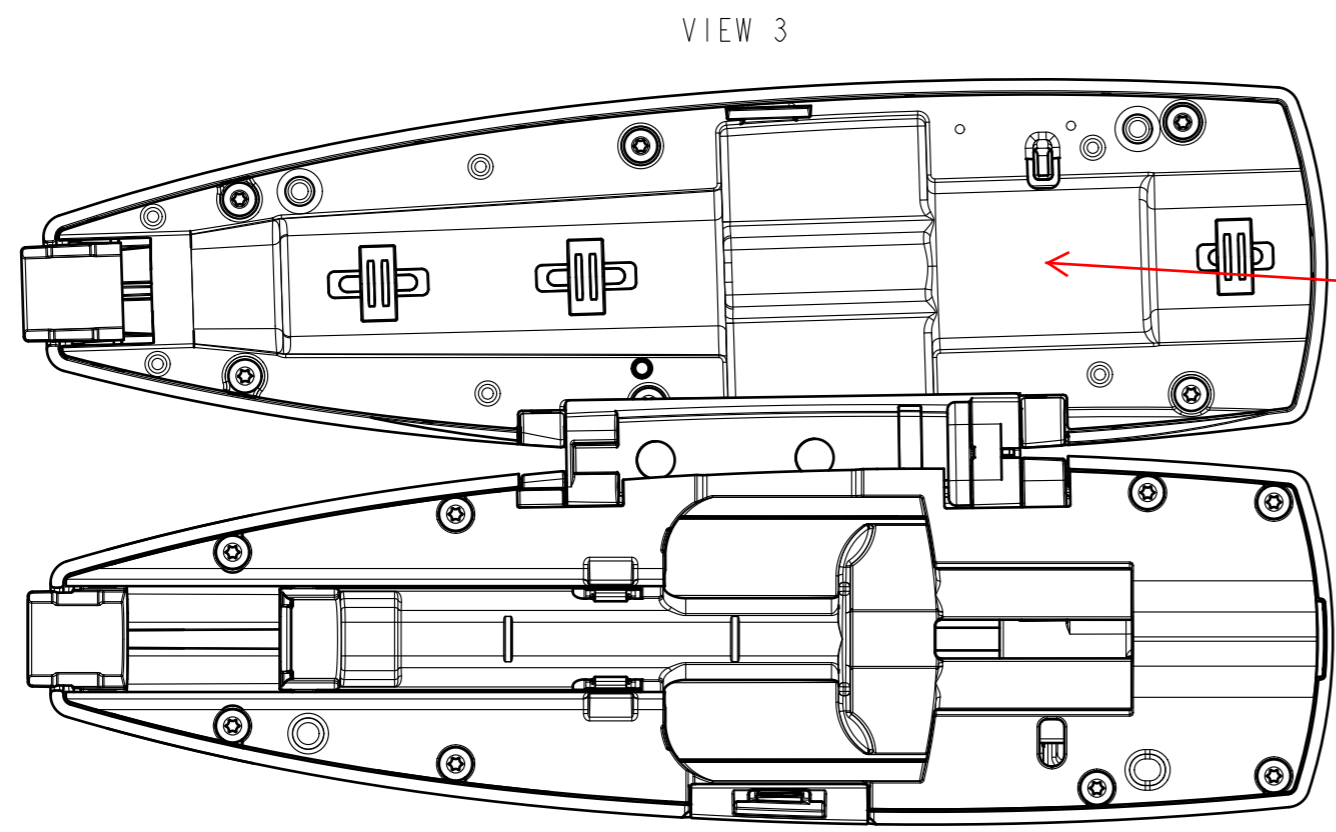
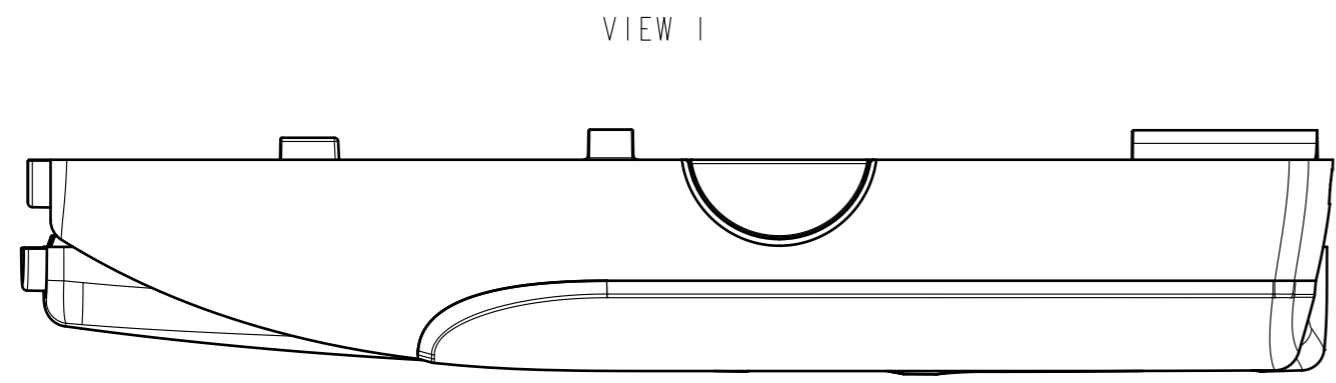
Tegningen tilhører Bang & Olufsen Medicom a/s, Struer, Danmark og må ikke afhændes, udlånes eller kopieres uden firmaets udtrykkelige skriftlige tilladelse.



MUST BE IN ACCORDANCE WITH DIRECTIVE 2002/95/EC (RoHS)		SIZE: A3
VOLUME: 125703.3 mm <sup>3</sup>		
RELEASE LEVEL ASM/DRW: Draft/Design		
<b>Bang &amp; Olufsen Medicom</b>		
CREATION DATE: 2012-06-21	ASM REV: 6.1	DRAWING REV: 1.1
INIT. DESIGNER: HHV	ASM DATE: 2013-06-11	DRAWING DATE: 2013-10-11
DESIGNER ASM/DRW: HHV/HHV	ASSEMBLY: 19500300_00	DRAWING: 19500300_03
BUMBLEBEE, BBE		PAGE 1 OF 2   SCALE 1:1

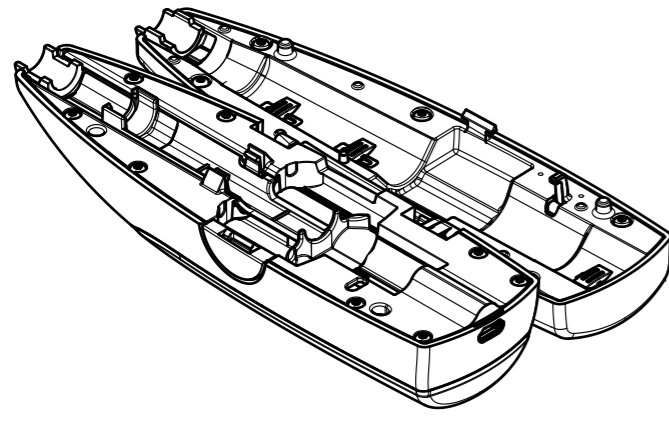
Tegningen tilhører Bang & Olufsen Medicom a/s, Struer, Danmark  
 og må ikke afhændes, udlånes eller kopieres  
 uden firmaets udtrykkelige skriftlige tilladelse.

This drawing is the property of Bang & Olufsen Medicom a/s, Struer,  
 Denmark and must not be transferred, lent or reproduced  
 without an explicit written permission from the company.

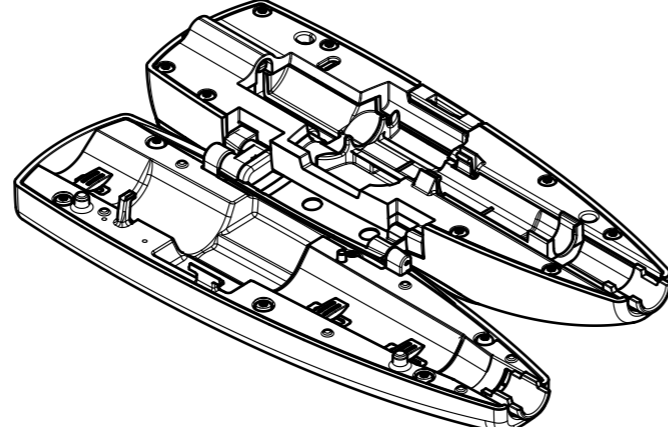


Label inside lid.  
 Lid must be open, every time the  
 device is used to load the syringe.

SCALE 1:2



SCALE 1:2



MUST BE IN ACCORDANCE WITH DIRECTIVE 2002/95/EC (RoHS)		SIZE: A3
VOLUME: 125703.3 mm <sup>3</sup>		
RELEASE LEVEL ASM/DRW: Draft/Design		
<b>Bang &amp; Olufsen Medicom</b>		
CREATION DATE: 2012-06-21	ASM REV: 6.1	DRAWING REV: 1.1
INIT. DESIGNER: HHV	ASM DATE: 2013-06-11	DRAWING DATE: 2013-10-11
DESIGNER ASM/DRW: HHV/HHV	ASSEMBLY: 19500300_00	DRAWING: 19500300_03
BUMBLEBEE, BBE	PAGE 2 OF 2	SCALE 1:1