

Trade Name(s): Toy RC Racing Motorcycle

Model Number(s): 1648419

Responsible Party in USA

Legal Company Name : MERCHSOURCE,LLC.

Address : MerchSource LLC,15 Cushing Irvine, CA 92618,USA

Tel:949-900-0900

LEAN MACHINE

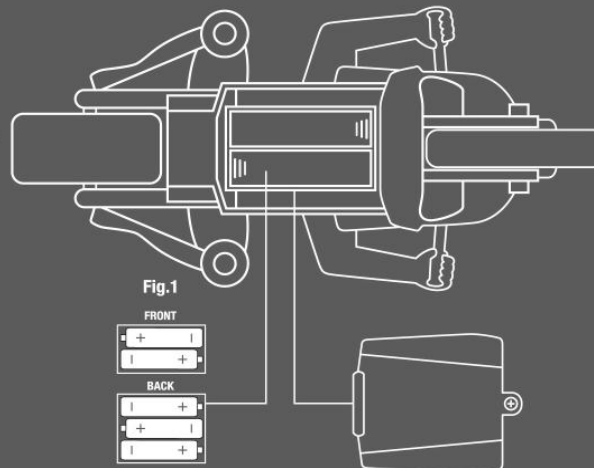
radio controlled racing motorcycle

KEEP THIS PACKAGE FOR REFERENCE AS IT CONTAINS IMPORTANT INFORMATION.

BATTERY INSTALLATION

Operation requires 5 "AA" 1.5V batteries (not included) for motorcycle, and one 9V battery (not included) for radio controller.

- After removing your motorcycle from the box, you must remove the paper tray. Unscrew the fastener underneath the motorcycle to remove from the tray.
- Locate the battery compartment on the underside of the motorcycle, and the radio controller.
- Remove the battery compartment.
- Insert 5 "AA" 1.5V batteries according to the polarity diagram located on the battery tray . (Fig. 1)
- Replace the battery compartment and battery cover.
- Use the provided screw to fasten the motorcycle battery compartment closed. (Please note this screw will be taped in a plastic bag under the tray).
- Slide open the battery compartment door of the controller. (Fig.2)
- Insert the one 9V battery following the correct polarity.
- Replace the screw/battery compartment door securely before operating.

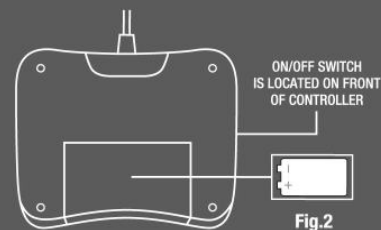
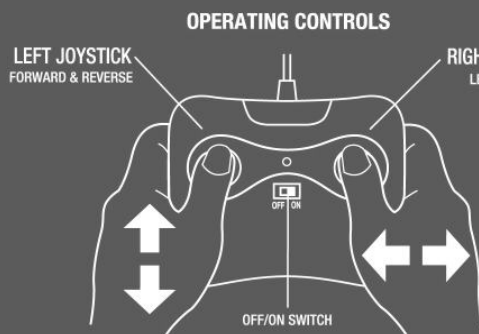


REQUIRES 5 "AA" 1.5V BATTERIES
1) insert the first 3 at the lower tray,
2) attach the tray on top
3) insert the remaining 2 batteries.

REMOVE BATTERY DOOR TO INSERT BATTERIES

BASIC OPERATION

- Switch the controller power switch to the "ON" position.
- Operate the motorcycle according to the controls diagram below.
- For best operation, use on a hard and flat surface.
- To start your motorcycle press the left joystick forward and slightly turn the motorcycle in the opposite direction in which it is resting.



RADIO CONTROLLER USES ONE "9V" BATTERY (NOT INCLUDED)



BATTERY WARNING:

- Do not mix old and new batteries.
- Do not mix alkaline, standard (carbon-zinc), or rechargeable (nickel-cadmium) batteries.
- Insert batteries using the correct polarity. Do not short-circuit the supply terminal.
- Remove batteries when not in use. Recycle or dispose of exhausted batteries according to federal, state, and local laws. Do not dispose of batteries in a fire - they may leak or explode.
- Only use manufacture specified battery(ies), charger(s) and/or adapter, if applicable, specified by the manufacturer.
- Always use, replace, and recharge (if applicable) batteries under adult supervision.

SAFETY WARNINGS - PLEASE READ BEFORE USING PRODUCT

- Not recommended for children under 6 years of age. As with all electrical products, precautions should be observed during handling and use to reduce the risk of electrical shock.
- It is recommended that this toy and all accessories be periodically examined for potential hazards and that any potentially hazardous parts be repaired or replaced.

NOTE: This equipment has been tested and found to comply with the limits for a Class B digital device, pursuant to Part 15 of the FCC Rules. These limits are designed to provide reasonable protection against harmful interference in a residential installation. This equipment generates, uses, and can radiate radio frequency energy and, if not installed and used in accordance with the instructions, may cause harmful interference to radio communications.

However, there is no guarantee that interference will not occur in a particular installation. If this equipment does cause harmful interference to radio or television reception, which can be determined by turning the equipment off and on, the user is encouraged to try to correct the interference by one or more of the following measures:

- Reorient or relocate the receiving antenna.
- Increase the separation between the equipment and receiver.
- Connect the equipment into an outlet on a circuit different from that to which the receiver is connected.
- Consult the dealer or an experienced radio TV technician for help.

2905011 (32056)



6 94202 31401 2
Made in China

WARNING: Changes or modifications not expressly approved by the party responsible for compliance could void the user's authority to operate the equipment.

This device complies with Part 15 of the FCC Rules. Operation is subject to the following two conditions: (1) this device may not cause harmful interference, and (2) this device must accept any interference received, including interference that may cause undesired operation.

©2013 MerchSource, LLC. Blue Hat Toy Company, Blue Hat Toy Company logos are trademarks of MerchSource, LLC. All rights reserved.

Distributed by MerchSource, LLC, Irvine, CA 92618.

US Patent No. 5,368,516. Patent pending.

The artwork and design of this package are protected by US copyright law and may not be reproduced, distributed, displayed, published or used for any purpose without prior written permission. It is not permitted to alter, remove or reproduce any trademarks or copyright notice from this package.