

# CRAZON<sup>®</sup>

## Product Operation Manual

Thank you for choosing our product! Please read this instruction manual carefully before using, as it contains all the informations you need to know about how to use this product correctly with fun.

Colors And Contents May Vary From Illustration.



**3+**  
AGES

Maximun Velocity 15KM/H

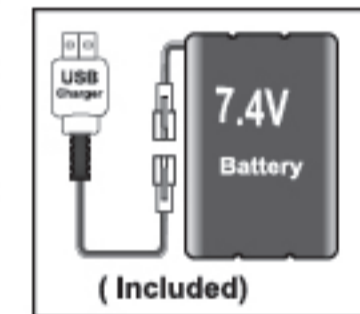
# SPIRIT BEASTS

### Battery Installation

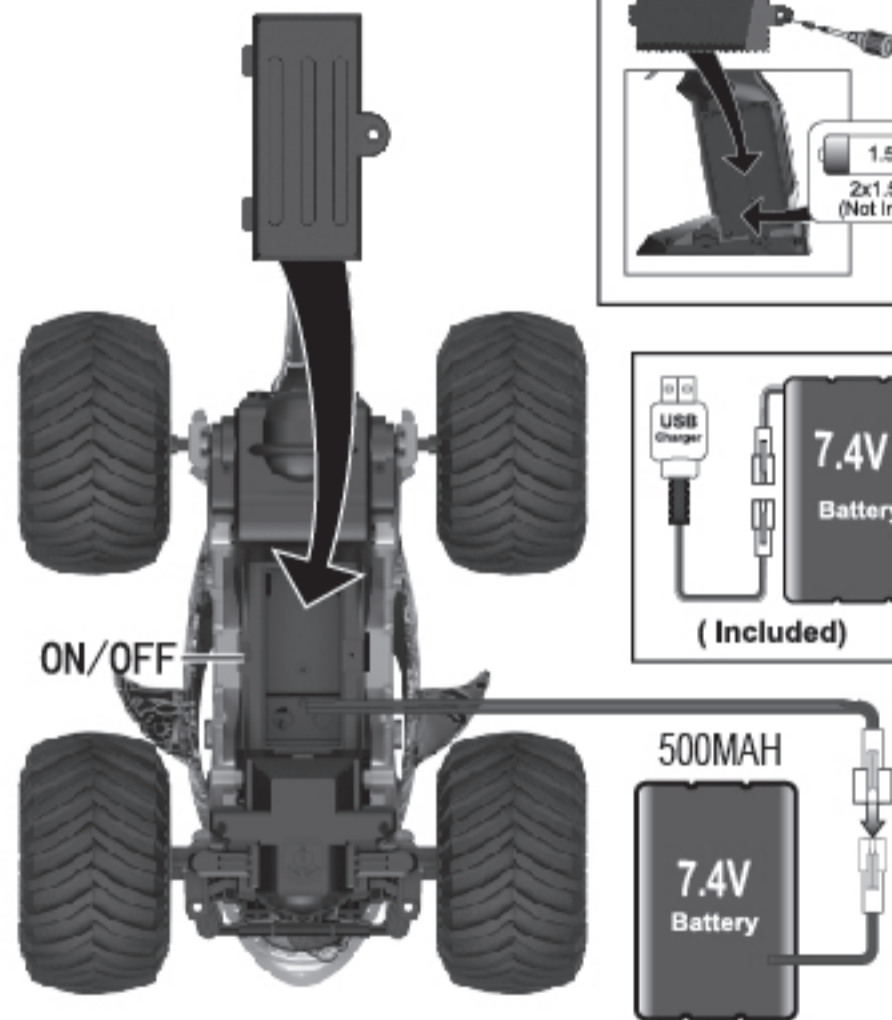
Replacing batteries of the transmitter



1.5V\*AA  
2x1.5V\*AA  
(Not included)



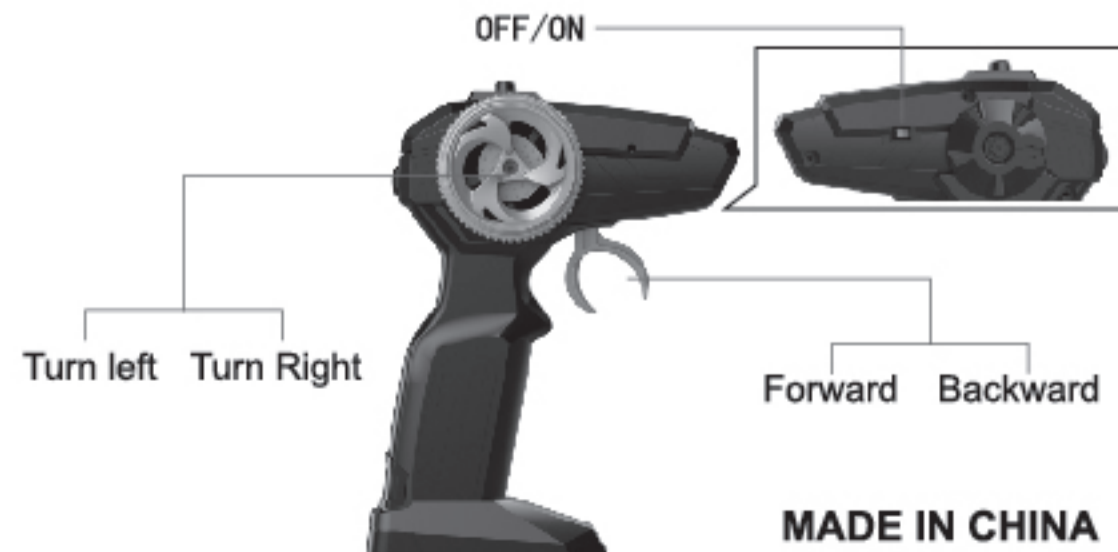
(Included)



Battery Included B

500MAH  
7.4V  
Battery

1. Take out the cover of R/C car, instal 7.4V rechargeable battery pack, fasten the cover,turn the switch to 'on '
2. Open the battery cover of transmitter, instal two 1.5V batteries , close the cover.
3. The charging time is about 3 hours support about 15 minutes playing.



MADE IN CHINA

## The Basic Operation of The Products

1



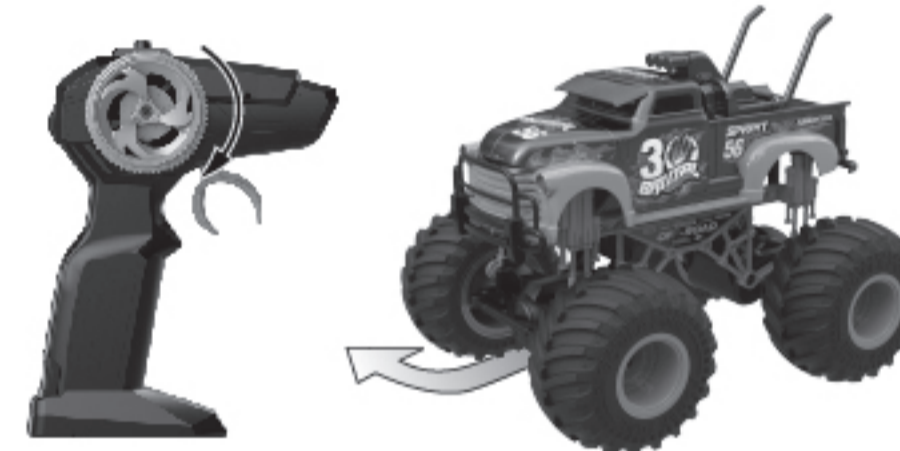
1.Please turn on the switch under the car and then make decoding to start the car.

2



2.Push or pull the trigger of the transmitter to make the car goes forward or backward. (Push or pull it slowly in order to prevent the car runs out abruptly).

3



3.The clockwise rotation of the steering wheel on the transmitter, the car will turn right.

4



4.The counterclockwise rotation of the steering wheel on the transmitter, the car will turn left.

Charge by USB: About 2.5 hours(for B version);

Playing Time: About 15 Mins;

Control Distance: About 30M;

Electric current and Voltage: 250MAH, 7.4V

This device complies with Part 15 of the FCC Rules. Operation is subject to the following two conditions:  
(1) this device may not cause harmful interference, and  
(2) this device must accept any interference received, including interference that may cause undesired operation.

changes or modifications not expressly approved by the party responsible for compliance could void the user's authority to operate the equipment.

This equipment has been tested and found to comply with the limits for a Class B digital device, pursuant to Part 15 of the FCC Rules. These limits are designed to provide reasonable protection against harmful interference in a residential installation. This equipment generates, uses and can radiate radio frequency energy and, if not installed and used in accordance with the instructions, may cause harmful interference to radio communications. However, there is no guarantee that interference will not occur in a particular installation.

If this equipment does cause harmful interference to radio or television reception, which can be determined by turning the equipment off and on, the user is encouraged to try to correct the interference by one or more of the following measures:

- Reorient or relocate the receiving antenna.
- Increase the separation between the equipment and receiver.
- Connect the equipment into an outlet on a circuit different from that to which the receiver is connected.
- Consult the dealer or an experienced radio/TV technician for help.

### BATTERY SAFETY

- (1) The placement or replacement of batteries is to be performed by an adult.
- (2) Remove the rechargeable battery from the chassis before charging.
- (3) Always remove exhausted batteries from the car and the transmitter.
- (4) Make sure the main switch is set to OFF before installing the battery pack into the car body.
- (5) Batteries must be inserted with the correct polarity.
- (6) Non-chargeable batteries shall not be recharged.
- (7) Do not short-circuit the batteries.
- (8) Always remove the batteries from the car and the transmitter after playing.
- (9) Never throw the batteries into fire to avoid explosion or leakage.
- (10) Do not mix batteries from different producers or new and old batteries.
- (11) You should only use batteries of the same or equivalent types as recommended.
- (12) Check the batteries on a regular basis to avoid leakage.
- (13) Keep this manual well for future reference as it contains important information about this product.



# CE