

User Manual

Thank you for your purchase of our product, understanding or operation of this product, please refer to the manual

*Pictures and objects may be different please forgive.



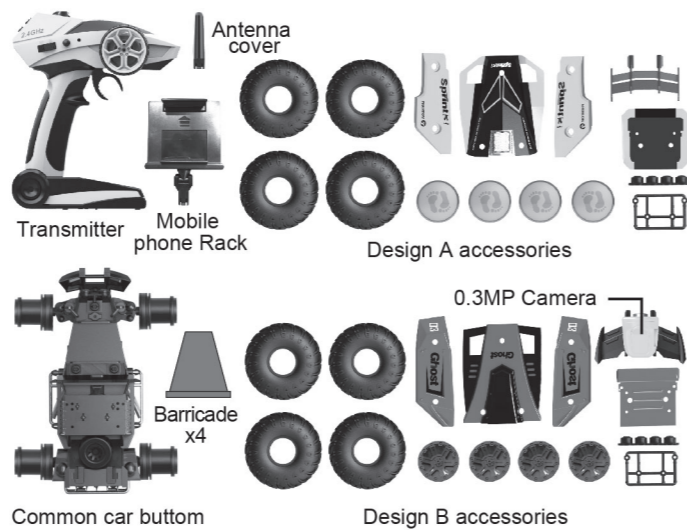
changes or modifications not expressly approved by the party responsible for compliance could void the user's authority to operate the equipment. This equipment has been tested and found to comply with the limits for a Class B digital device, pursuant to Part 15 of the FCC Rules. These limits are designed to provide reasonable protection against harmful interference in a residential installation. This equipment generates, uses and can radiate radio frequency energy and, if not installed and used in accordance with the instructions, may cause harmful interference to radio communications. However, there is no guarantee that interference will not occur in a particular installation. If this equipment does cause harmful interference to radio or television reception, which can be determined by turning the equipment off and on, the user is encouraged to try to correct the interference by one or more of the following measures:

- Reorient or relocate the receiving antenna.
- Increase the separation between the equipment and receiver.
- Connect the equipment into an outlet on a circuit different from that to which the receiver is connected.
- Consult the dealer or an experienced radio/TV technician for help.

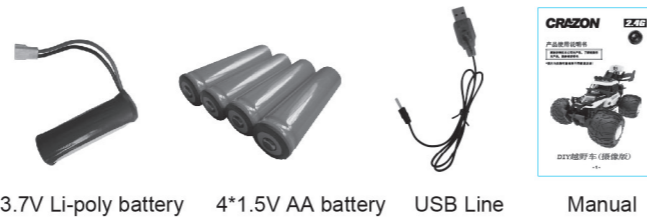
This equipment complies with FCC radiation exposure limits set forth for an uncontrolled environment. This equipment should be installed and operated with minimum distance 20cm between the radiator and your body. This transmitter must not be co-located or operating in conjunction with any other antenna or transmitter. This device complies with Part 15 of the FCC Rules. Operation is subject to the following two conditions: (1) This device may not cause harmful interference, and (2) this device must accept any interference received, including interference that may cause undesired operation.

DIY off-road vehicle (camera version)

PRODUCT CONFIGURATION



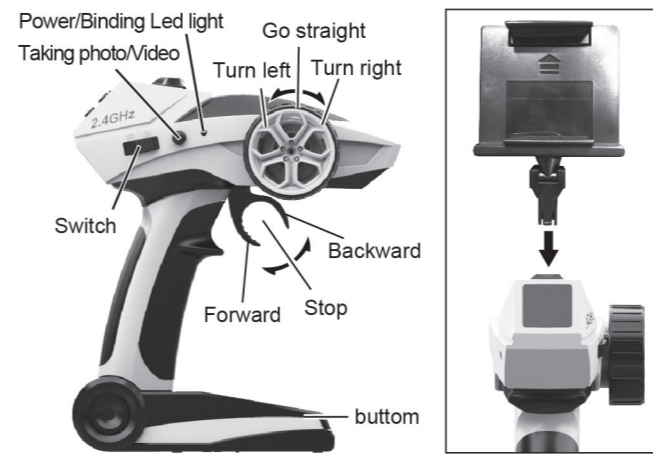
CHARGING VERSION



1. 3.7V Li-poly battery for the car (included)
2. 4*1.5V AA battery for the transmitter(not included)
3. User manual (included)

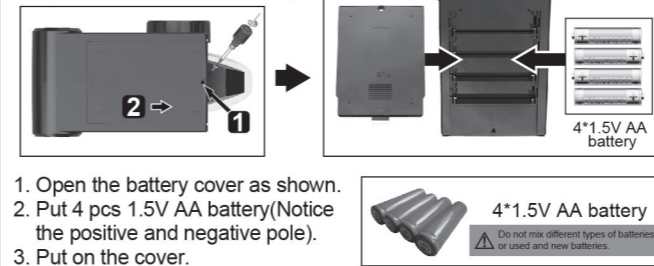
TRANSMITTER

FUNCTIONAL DIAGRAM OF TRANSMITTER



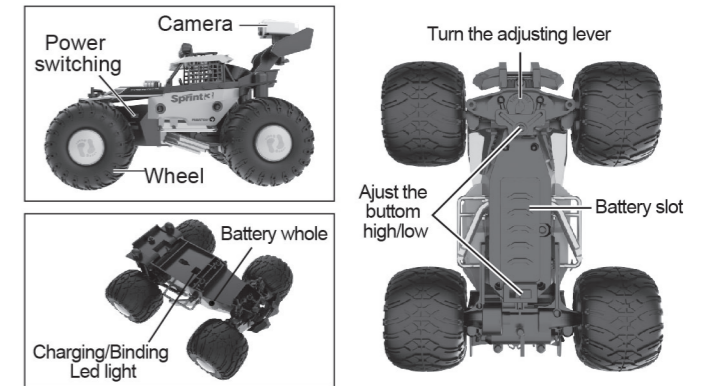
TRANSMITTER BATTERY ASSEMBLY DIAGRAM

Steps of assemble the battery:

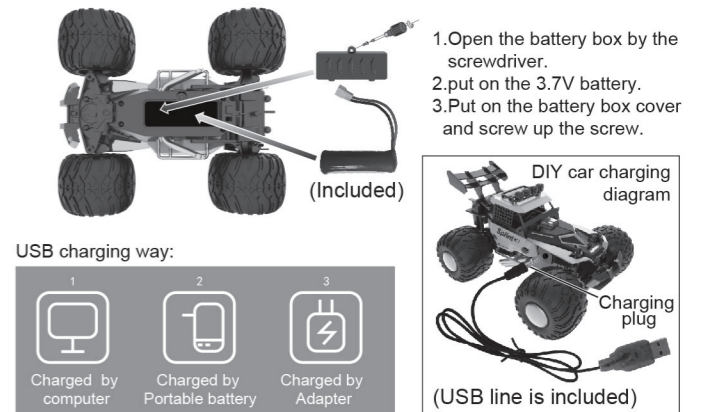


DIY OFF-ROAD VEHICLE WITH CAMERA

FUNCTIONAL DIAGRAM OF THE CAR BOTTOM



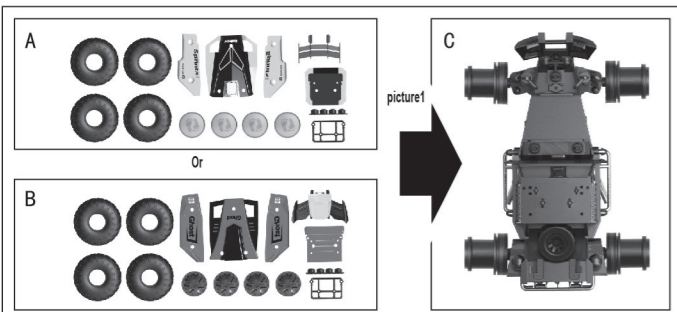
BATTERY INSTALLATION DIAGRAM



ASSEMBLE

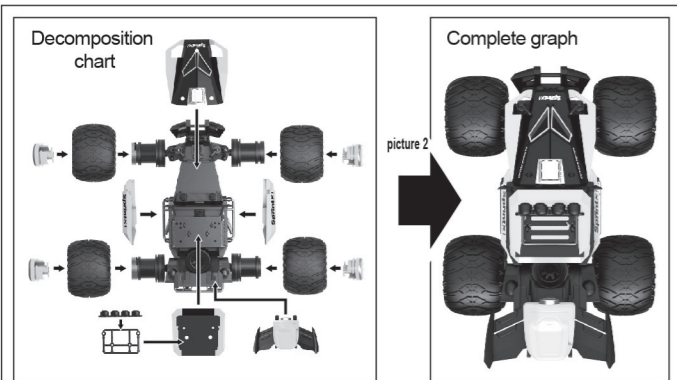
ASSEMBLY COMPONENT DESCRIPTION

Assemble A or B into C as picture 1 shown(Notice: A and B are different car design)



DISASSEMBLY COMPONENT

Assemble the accessories follow to the arrow as picture 2 shown



Notice: You must aim to the hole when assembling.

Operation Steps.

BINDING

There is a ID between the transmitter and receiver, this is called binding. Please control the wifi signal and 2.4G signal when settle as it will brings annoying. 1.Please press the binding button when turn on the transmitter, the green LED light will flash 20 seconds. 2.Do not press the rocket and direction button when binding, the car will bind to the transmitter automatically.



TRANSMITTER OPERATION WAY.

THROTTLE

As shown, pull the rocket to you, the car goes forward. Push the rocket, the car goes backward.



OPERATION

1.When you face to the car back, if you turn the rotation to right, the car will turn right. If you turn the rotation to left, the car will go left.



2.When the car runs in high speed, push the rocket, it will brake. (Notice: Please drive low speed for practising first before driving in high speed. When the car becomes slowly, please charge it.)

MOBILE PHONE OPERATING WAY

1.Please scan the QR-code to download the APP, When finish, your phone will show the DIY camera car APP.



2. Turn on the car, enter your mobile phone settle and turn on the wifi, find Settle wifi hotspot in the list, press connect until connected. Open the APP, press the logo, enter real-time section.



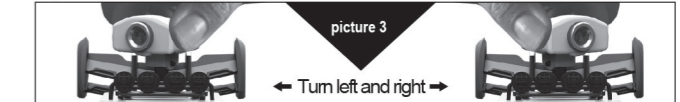
3. Enter control section, start playing our Camera car, as picture shown.



1.Tum left 2.Tum right 3. Forward 4.Backward

CAMERA ADJUSTING

1. As picture 3 shown, you can adjust the camera to left and right



2. As picture 4 shown, you can adjust the camera up and down



ADJUST CHASSIS HEIGHT

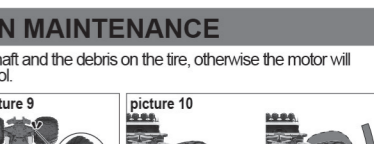
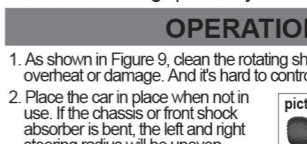
1. As shown in Figure 5, the front wheel will be squeezed by hand, and then counterclockwise rotation of the lock plate, the front wheel plate down. 2.As shown in Figure 6, the front wheel is tightly pressed by hand, and then the locking plate is rotated clockwise



3. As shown in Figure 7, the first hand to squeeze the rear wheel, and then push the lock to the left, the rear wheel plate down



4.As shown in Figure 8, the first hand wheel after the pinch, and then push the lock to the right, the rear wheel up



MAINTAIN

Regular maintenance of the product after using, ignoring this step may improve engine and chassis damage probability

OPERATION MAINTENANCE

1. As shown in Figure 9, clean the rotating shaft and the debris on the tire, otherwise the motor will overheat or damage. And it's hard to control.
2. Place the car in place when not in use. If the chassis or front shock absorber is bent, the left and right steering radius will be uneven
3. As shown in Figure 10, if the steering is not average, can be bent by hand, the car on the horizontal surface to determine whether or not the balance

