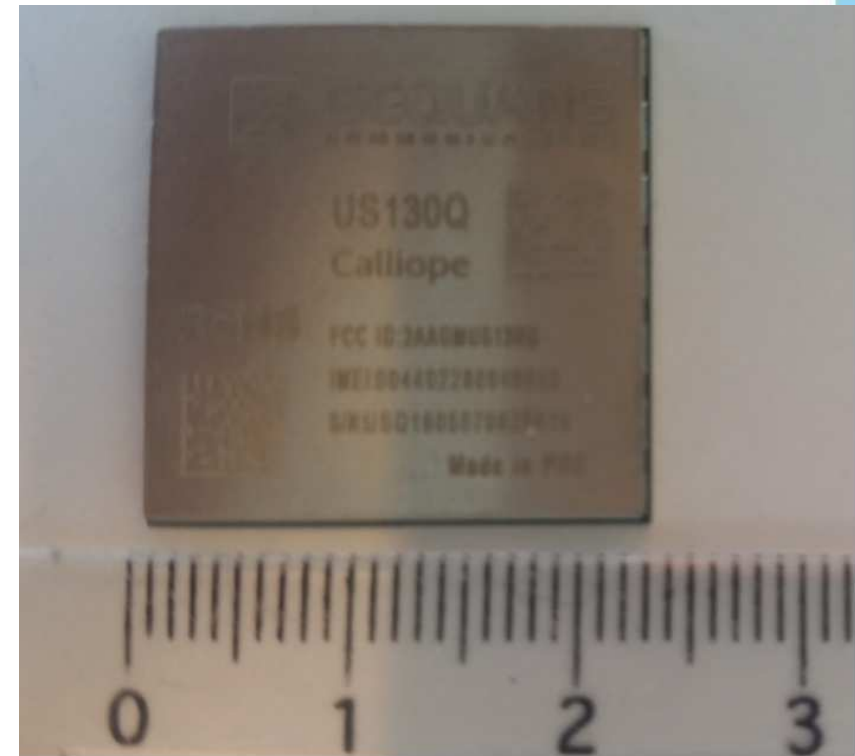
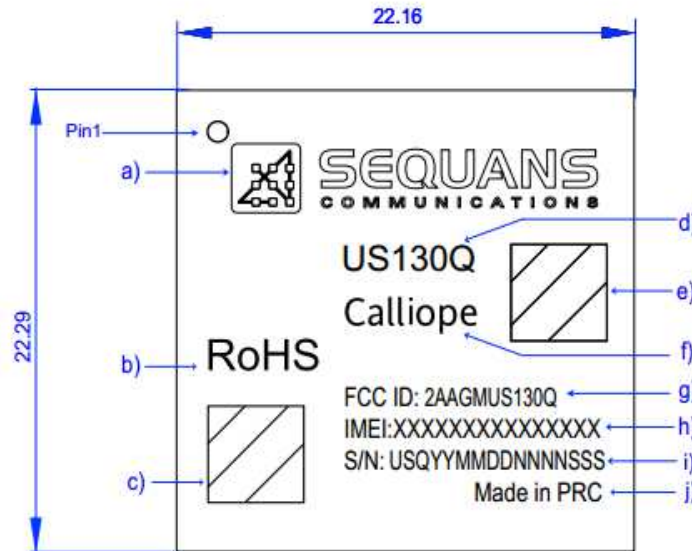
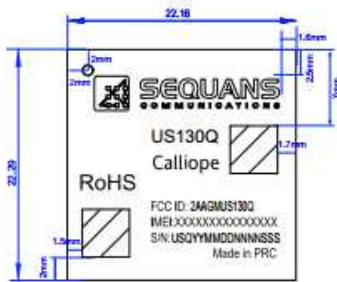


FCC ID location and Label sample

OPS – US130Q laser Marking Spec

Scale: 1:1



Contents:

- a) SEQUANS LOGO
- b) RoHS LOGO
- c) S/N 2D Barcode
- d) MODEL: US130Q
- e) IMEI 2D Barcode
- f) Calliope LOGO

- g) FCC ID: 2AAGMUS130Q
- h) IMEI: XXXXXXXXXXXXXXXX (15digs)
- i) S/N: USQYYMMDDNNNNSSSS (16digs)
USQ: is immovable(3digs)
YYMMDD: Manufacturing Date(YY:Year,MM:Month,DD:Date)
NNNN: panel counter(from0001~9999)
SSS: Piece location on panel(from001~020)
- j) Made in PRC