



# Monarch 2 Platform

GM02S Module

# Preliminary Datasheet



**SEQUANS**

SEQUANS Communications  
15-55 Boulevard Charles de Gaulle  
92700 Colombes, France  
Phone. +33.1.70.72.16.00  
Fax. +33.1.70.72.16.09

[www.sequans.com](http://www.sequans.com)  
[contact@sequans.com](mailto:contact@sequans.com)

---

# 1

## Product Summary

### 1.1 General Description

The Monarch 2 GM02S is an LTE Cat M1/NB1/NB2 module based on Sequans' second generation Monarch 2 chip platform. GM02S is a total module solution, including a complete, Single-SKU™ RF front end for deployment in any band worldwide, and an integrated EAL5+ Secure Element (SE) enabling the integration of the SIM inside the module with zero compromise on security while lowering cost and reducing complexity. The GM02S is part of Sequans next generation "S" family of modules, featuring a very small yet cost-effective form factor that requires no external components.

GM02S leverages Sequans' 15-plus years of experience in 4G and 5G technologies and incorporates Sequans' carrier-proven LTE protocol stack and a software suite that is one of the most mature in the industry. The GM02S is part of Sequans next generation "S" family of modules, featuring a very small yet cost-effective form factor that requires no external components. The GM02S inherits Monarch's already certified LTE-M and NB-IoT stack and delivers the significantly improved performance and lower power consumption enabled by Sequans' second generation Monarch 2 chip and the new module architecture.

Sequans technology, both hardware and software, is 100-percent owned by Sequans, ensuring fast time to market and lowest total cost of ownership for device makers.

### 1.2 Frequency Bands

The LTE frequency bands supported by GM02S are B1 (2100), B2 (1900 PCS), B3 (1800+), B4 (AWS-1), B5 (850), B8 (900 GSM), B12 (700 a), B13 (700 c), B14 (700 PS), B17 (700 b), B18 (800 Lower), B19 (800 Upper), B20 (800 DD), B25 (1900+), B26 (850+), B28 (700 APT), B66 (AWS-3), B71 (600), B85 (700 a+).

## 1.3 Applications

GM02S is ideal for adding LTE-M and/or NB-IoT LTE connectivity to narrowband, low data rate M2M and IoT devices, including utility meters, industrial sensors, health and fitness bands, asset trackers, and numerous additional devices for smart home, smart city, and wearable applications.

GM02S can be used by applications as slim modem controlled by an external MCU via UART. Alternatively, applications may run on GM02S' integrated MCU.

## 1.4 Block Diagram

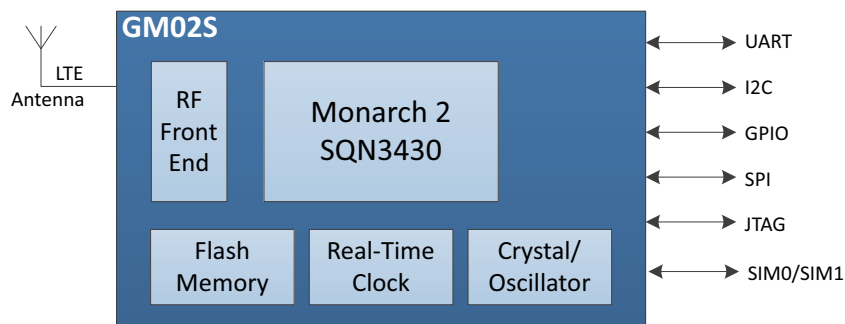


Figure 1-1: GM02S Block Diagram

## 1.5 General Features

Physical Characteristics	LGA module, 100 pads Size: 16.3 mm x 17 mm x 1.85 mm
Temperature Range	Operation temperature range: -40°C to +85 °C Storage: MSL3
Power Supply	Voltage range for RF compliancy: 2.5V to 5.5V Functional voltage range: 2.2V to 5.5V
Tx Power	+23 dBm for each band
Interfaces	<ul style="list-style-type: none"> <li>• Dual (U)SIM Card Interface: support for external, removable or fixed UICC. Support for integrated UICC (iUICC) with dedicated p/n</li> <li>• 4x High-Speed UART Interfaces with flow control, up to 921600 bauds</li> <li>• GPIOs, I2C, SPI, PWM, Pulse Counter, I2S/PCM, ADC</li> </ul>
LTE Features	3GPP LTE Release 13/14 Cat M1/NB1/NB2 compliant. LTE Cat M1: 1.1 Mbps / 0.3 Mbps UL/DL throughput LTE Cat NB2: 160 Kbps / 120.7 Kbps UL/DL throughput Note: Cat NB1/NB2 will be supported in future module versions via software upgrade.
SMS	Text and PDU modes
Firmware Upgrade	UART Interface, FOTA, Support of full and differential firmware upgrade
RoHS	All hardware components are fully compliant with EU RoHS directive, halogen-free

**Table 1-1:** Orderable Part Numbers

Orderable Part Number	Hardware Version	Software Build (AT11)	UE Version (AT11)	PTCRB Model Name/Model	SVN	Orderable Status
GM02RB6QRZ	Engineering Sample. HW Rev1	Engineering software release. Please consult your Sequans' representative		N/A	0	Available
GM02RB6QRA	Engineering Sample. HW Rev2	Engineering software release. Please consult your Sequans' representative		N/A	0	Not yet orderable.

**Note:** Please contact your Sequans' technical representative to select the applicable part number for your project.

# 2

## Interfaces

### 2.1 Pin Assignment

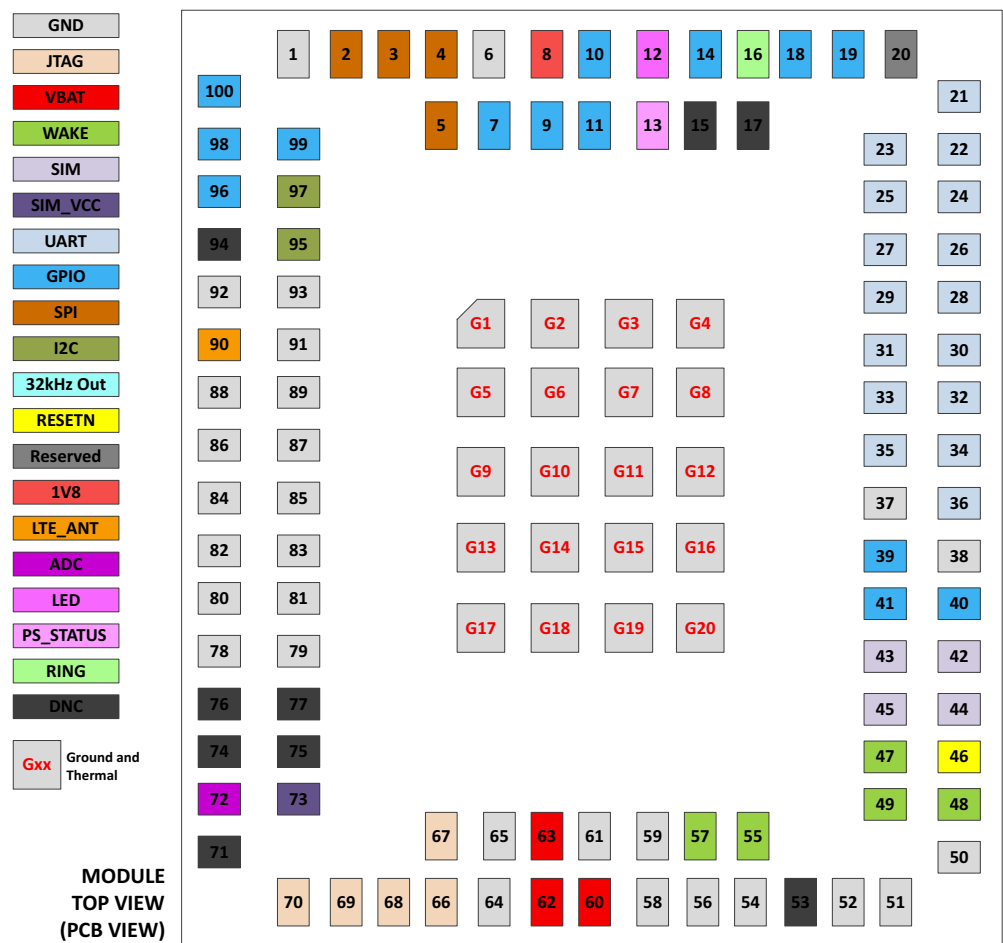


Figure 2-1: Module Pads Assignments

## 2.2 Antenna

**Table 2-1:** Antenna Pad Details

Pad #	Pad Name	Direction	Comments
90	LTE_ANT	In/Out	Main Antenna, for Rx and Tx

## 2.3 Power

### 2.3.1 Power Details

**Note:** Pad 1V8 is the reference voltage for IOs. It can be used to provide power small devices (100 mA maximum usage). This voltage is not available when the modem is in Deep Sleep. When the modem is in standby the voltage drops to 1.62V as per [Table 2-2](#).

**Table 2-2:** Power Pads

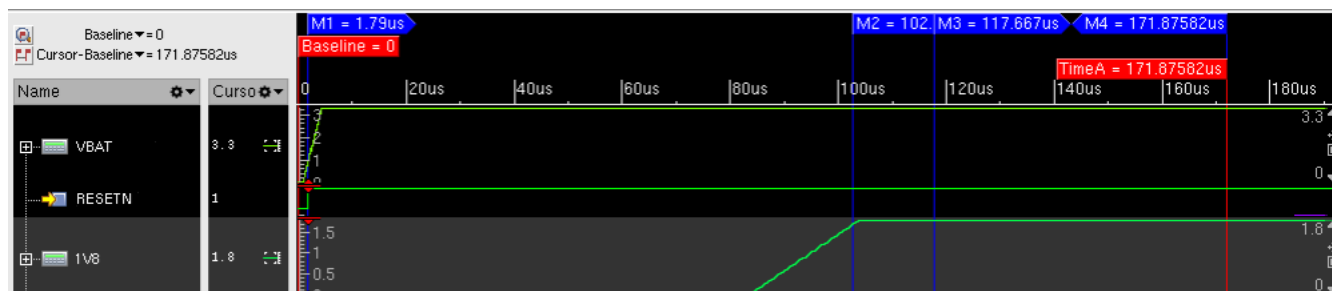
Pad #	Pad Name	Power Group	Direction	Min Operational Value	Typical Operational Value	Max Operational Value
8	1V8 See note above	PVDD_1V8	Out	1.62 V	1.8 V	1.98 V
73	SIM_VCC <sup>1</sup>	PVDD_1V8	Out	1.62 V	1.8 V	1.98 V
60, 62, 63	VBAT	N/A	in	2.5 V		5.5 V

1. See also Section [2.5 USIM Interfaces](#) on page 12.

**Table 2-3:** Electrical Maximum Rating for GM02S

	Direction	Minimum	Typical	Maximum
VBAT	In	2.2 V		5.5 V

**Note:** Reference VBAT voltage range is 2.5 V to 5.5 V for operations and 2.2 V to 5.5 V for functional behavior with possible degradation of RF performances.



**Figure 2-2:** Timing Diagram for Power-Up Sequence

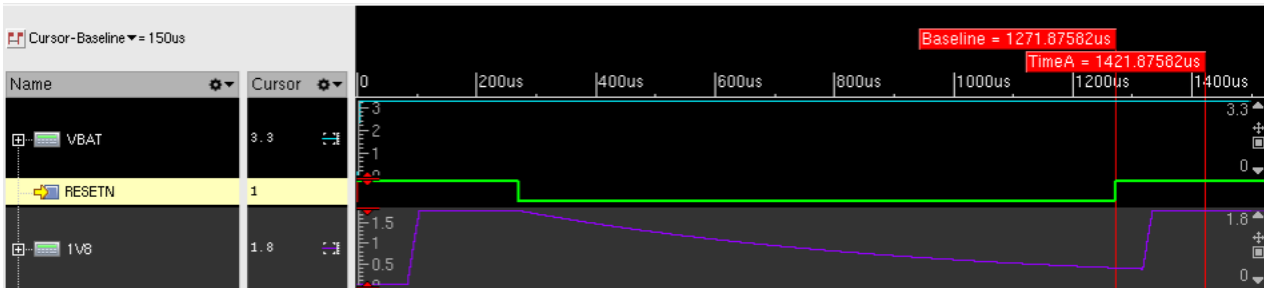


Figure 2-3: Timing Diagram for Reset Sequence

## 2.3.2 Power States

Figure 2-4 represents the electrical states of the module and their transitions.

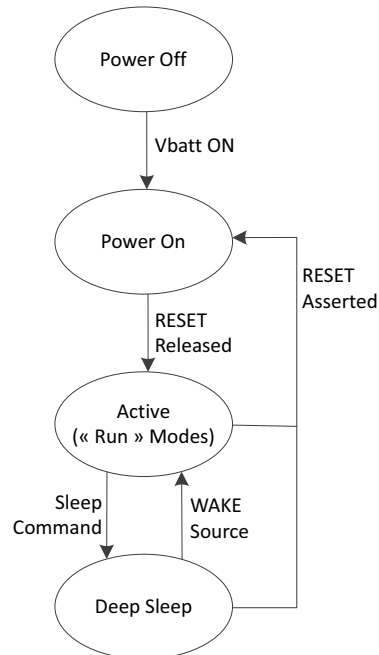


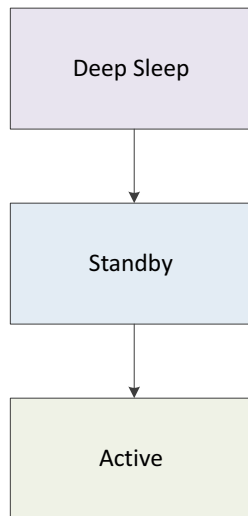
Figure 2-4: Electrical States and Transitions



The various power modes are described in [Table 2-4](#) and illustrated on [Figure 2-5](#).

**Table 2-4:** Power Modes Description

Power Mode	LTE Mode	Available Interfaces
Deep Sleep	PSM, eDRX with long duration	WAKE pins (including RTS0/1)
Standby	eDRX short duration and IDLE	WAKE pins (including RTS0/1)
Active	Connected	All interfaces



**Figure 2-5: Power Modes**

## 2.4 UART

GM02S, when used as a slim modem, has three UARTs available. While the function of the UARTs can be configured, the default function for each UART is as follows:

- UART0: data and control from external MCU via AT commands
- UART1: debug and upgrade
- UART2: modem console

In addition, a fourth UART (UART3) may be used when running applications on GM02S.

**Table 2-5:** UART Signals

Pad #	Pad Name	Primary Function	Alternate Function <sup>1</sup>	Power Group	Direction	Pad type <sup>2</sup>	State @reset
36	GPIO12/TXD0	TXD0	GPIO12	PVDD_1V8	In/Out	BIDIR	HighZ, 2mA
		In for primary function, UART0					
34	GPIO13/RXD0	RXD0	GPIO13	PVDD_1V8	In/Out	BIDIR	Out-1, 2mA
		Out for primary function, UART0					
35	GPIO14/CTS0	CTS0	GPIO14	PVDD_1V8	In/Out	BIDIR	Out-1, 2mA
		Out for primary function, UART0					
33	RTS0	RTS0	N/A	PMU_5V	In	IN	HighZ
		Wake signal enabled by default.					
32	TXD1	TXD1	N/A	PVDD_1V8	In	BIDIR	HighZ, 2mA
		UART1					
30	RXD1	RXD1	N/A	PVDD_1V8	Out	BIDIR	Out-1, 2mA
		UART1					

**Table 2-5: UART Signals (Continued)**

Pad #	Pad Name	Primary Function	Alternate Function <sup>1</sup>	Power Group	Direction	Pad type <sup>2</sup>	State @reset
31	CTS1	CTS1	N/A	PVDD_1V8	Out	BIDIR	Out-1, 2mA
		UART1					
29	RTS1	RTS1	N/A	PMU_5V	In	IN	HighZ
		Wake signal enabled by default.					
28	GPIO15/TXD2	TXD2	GPIO15	PVDD_1V8	In/Out	BIDIR	HighZ, 2mA
		In for primary function, UART2					
26	GPIO16/RXD2	RXD2	GPIO16	PVDD_1V8	In/Out	BIDIR	Out-1, 2mA
		Out for primary function, UART2					
27	GPIO17/ CTS2/DCD0	GPIO17	CTS2/DCD0	PVDD_1V8	In/Out	BIDIR	Out-1, 2mA
		UART2					
25	GPIO18/ RTS2/DSR0	GPIO18	RTS2/DSR0	PVDD_1V8	In/Out	BIDIR	HighZ, 2mA
		UART2					
24	GPIO19/TXD3	GPIO19	TXD3	PVDD_1V8	In/Out	BIDIR	HighZ, 2mA
		In for primary function, UART3					
22	GPIO20/RXD3	GPIO20	RXD3	PVDD_1V8	In/Out	BIDIR	Out-1, 2mA
		Out for primary function, UART3					
21	GPIO21/CTS3	GPIO21	CTS3	PVDD_1V8	In/Out	BIDIR	Out-1, 2mA
		UART3					

**Table 2-5:** UART Signals (Continued)

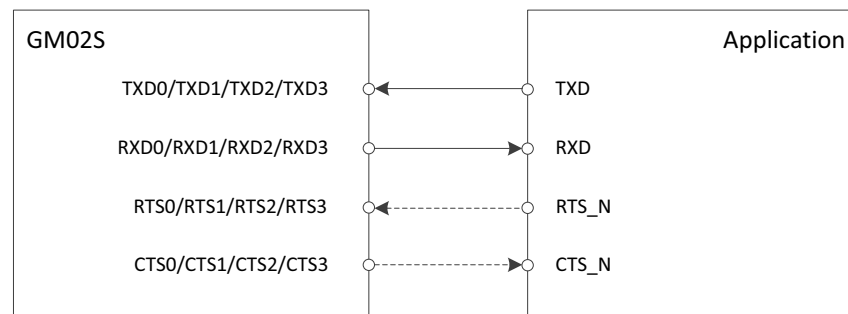
Pad #	Pad Name	Primary Function	Alternate Function <sup>1</sup>	Power Group	Direction	Pad type <sup>2</sup>	State @reset
23	GPIO22/RTS3	GPIO22	RTS3	PVDD_1V8	In/Out	BIDIR	Out-1, 2mA
		UART3					

1. Alternate functions will be available in future versions via SW upgrade.
2. UART pad types's electrical characteristics are detailed in [Table 2-15](#).

### High-Speed UARTs Flow Control Signals

- CTS0, CTS1, CTS2, CTS3: resp. UART0, UART1, UART2, UART3 flow control, Clear-To-Send, active low, of the GM02S. To be connected to the CTS of the remote UART device. Provision a 1 kOhm pull-down on CTS pin when flowcontrol is not used. If it is connected to an external component (like a RS232 driver), the user should make sure that this component will present a low level to the GM02S. See [Figure 2-6](#).
- RTS0, RTS1, RTS2, RTS3: resp. UART0, UART1, UART2, UART3 flow control, Ready-To-Send, active low, of the GM02S. To be connected to the RTS of the remote UART device. See [Figure 2-6](#).

[Figure 2-6](#) represents the typical implementation for the hardware flowcontrol.



**Figure 2-6: UART Convention and Flow Control**

**Note:** High-Speed UART can be used as low-speed UART, given a specific software registers configuration and the setting of the CTS signal to 0. Please contact Sequans customer support for details.

## 2.5 USIM Interfaces

### 2.5.1 SIM0 Interface

This is the main external SIM interface. It can be used with removable or non-removable SIM cards or with soldered SIM chips. The power supply of the SIM is managed by the modem to ensure lowest power consumption of the SIM.

**Table 2-6:** SIM0 Signals

Pad #	Pad Name	Primary Function	Power Group	Direction	Pad type <sup>1</sup>	State @reset	Comment
42	SIM0_CLK	SIM0_CLK	PVDD_1V8	Out	BIDIR	Out-0, 2mA	Main SIM
45	SIM0_DETECT <sup>2</sup>	SIM0_DETECT	PMU_5V	In	IN	HighZ	Main SIM
44	SIM0_IO	SIM0_IO	PVDD_1V8	In/Out	BIDIR	HighZ, 2mA	Main SIM
43	SIM0_RSTN	SIM0_RSTN	PVDD_1V8	Out	BIDIR	Out-0, 2mA	Main SIM
73	SIM0_VCC <sup>3</sup>	SIM0_VCC	PVDD_1V8	Out	Supply	Out-0, 2mA	Main SIM

1. USIM pad types's electrical characteristics are detailed in [Table 2-15](#).

2. SIM0\_DETECT can be configured as a WAKE pin via software command.

3. See range of values in [Table 2-2](#).

## 2.5.2 SIM1 Interface

This interface can be used as a second SIM interface for GM02S, typically used for soldered SIM chips (since it lacks SIM detect and SIM VCC). If design only has one SIM, it is preferred then to use the main SIM interface (see Section [SIM0 Interface](#) above).

**Table 2-7:** SIM1 Signals

Pad #	Pad Name	Primary Function	Alternate Function <sup>1</sup>	Power Group	Direction	Pad Type <sup>2</sup>	State @reset
40	GPIO26/SIM1_CLK	GPIO26	SIM1_CLK	PVDD_1V8	Out	BIDIR	Out-0, 2mA
41	GPIO27/SIM1_RESETN	GPIO27	SIM1_RESETN	PVDD_1V8	Out	BIDIR	Out-0, 2mA
39	GPIO25/SIM1_IO	GPIO25	SIM1_IO	PVDD_1V8	In/Out	BIDIR	HighZ, 2mA

1. Alternate functions will be available in future versions via SW upgrade.
2. Pad types's electrical characteristics are detailed in [Table 2-15](#).

## 2.6 I2C

**Table 2-8:** I2C Pad Details

Pad #	Pad Name	Primary Function	Alternate Function <sup>1</sup>	Power Group	Direction	Pad type <sup>2</sup>	State @reset
95	GPIO23/I2C_SDA	GPIO23	I2C_SDA	PVDD_1V8	In/Out	BIDIR	HiZ
97	GPIO24/I2C_SCL	GPIO24	I2C_SCL	PVDD_1V8	In/Out	BIDIR	HiZ

1. Alternate functions will be available in future versions via SW upgrade.
2. I2C pad types's electrical characteristics are detailed in [Table 2-15](#).

## 2.7 PCM

**Table 2-9:** PCM Pad Details

Pad #	Pad Name	Primary Function	Alternate Function <sup>1</sup>	Power Group	Direction	Pad type <sup>2</sup>	State @reset
96	GPIO4/ PCM_CLK	GPIO4	PCM_CLK	PVDD_1V8	In/Out	BIDIR	HighZ
98	GPIO3/ PCM_RXD	GPIO3	PCM_RXD	PVDD_1V8	In/Out	BIDIR	HighZ
99	GPIO5/ PCM_FS	GPIO5	PCM_FS	PVDD_1V8	In/Out	BIDIR	HighZ
100	GPIO6/ PCM_TXD	GPIO6	PCM_TXD	PVDD_1V8	In/Out	BIDIR	HighZ

1. Alternate functions will be available in future versions via SW upgrade.
2. PCM pad types's electrical characteristics are detailed in [Table 2-15](#).

## 2.8 SPI

**Table 2-10:** SPI Pad Details

Pad #	Pad Name	Primary Function	Alternate Function <sup>1</sup>	Power Group	Direction	Pad type <sup>2</sup>	State @reset
3	GPIO7/ SPI_SDI	GPIO7	SPI_SDI	PVDD_1V8	In/Out	BIDIR	HighZ
4	GPIO8/ SPI_SDO	GPIO8	SPI_SDO	PVDD_1V8	In/Out	BIDIR	HighZ
2	GPIO9/ SPI_CLK	GPIO9	SPI_CLK	PVDD_1V8	In/Out	BIDIR	HighZ
5	GPIO10/ SPI_CSN1	GPIO10	SPI_CSN1	PVDD_1V8	In/Out	BIDIR	HighZ
7	GPIO11/ SPI_CSN2	GPIO11	SPI_CSN2	PVDD_1V8	In/Out	BIDIR	HighZ

1. Alternate functions will be available in future versions via SW upgrade.
2. SPI pad types's electrical characteristics are detailed in [Table 2-15](#).



## 2.9 GPIO

There is a total of 33 GPIOs available on GM02S: 28 named GPIO1 to GPIO28 and 5 named GPIO31 to GPIO35. The GPIOs listed in [Table 2-11](#) are not enabled by default. Changing their state can be done by software.

**Table 2-11:** GPIOs Disabled by Default

GPIO Range	Enable State by Default
GPIO3 to GPIO11	Disabled
GPIO17 to GPIO28	Disabled
GPIO31 to GPIO32	Disabled

The GPIOs are documented throughout this datasheet based on their shared or assigned function. In addition to the GPIO there are 5 wake signals available (documented in Section [2.10 Other Signals](#) on page 17).

## 2.10 Other Signals

**Table 2-12:** GND and DNC Pads

Pads Type	Pads Number
GND	1, 6, 37, 38, 50, 51, 52, 54, 56, 58, 59, 61, 64, 65, 78, 79, 80, 81, 82, 83, 84, 85, 86, 87, 88, 89, 91, 92, 93
DNC (Reserved)	15, 17, 53, 71, 74, 75, 76, 77, 94

**Table 2-13:** Other Signals (No Interface)

Pad #	Name	Primary Function	Alternate Function <sup>1</sup>	Power Group	Direction	Pad Type <sup>2</sup>	State @reset
72	ADC1	ADC1 (See Note 1)	N/A	PVDD_1V8	In	IN	N/A
		Analog Digital Converter (ADC, IN)					
12	GPIO1/ STATUS_LED	STATUS_LED	GPIO1	PVDD_1V8	In/Out	BIDIR	HighZ, 2mA
		Primary Function: Status LED (STATUS_LED, OUT)					
13	GPIO2/ PS_STATUS	PS_STATUS	GPIO2	PVDD_1V8	In/Out	BIDIR	HighZ, 2mA
		Primary Function: Power Saving status (PS_STATUS, OUT) enabled by default. Active high.					
14	GPIO28/ DTR0	GPIO28 (See Note 1)	DTR0	PVDD_1V8	In/Out	BIDIR	HighZ
19	GPIO31/ PWM0/ PULSE0/ 19M2_OUT	GPIO31 (See Note 1)	PWM0/ PULSE0/ 19M2_OUT	PVDD_1V8	In/Out	BIDIR	HighZ
18	GPIO32/ PWM1/ PULSE1	GPIO32 (See Note 1)	PWM1/ PULSE1	PVDD_1V8	In/Out	BIDIR	HighZ

**Table 2-13:** Other Signals (No Interface) (Continued)

Pad #	Name	Primary Function	Alternate Function <sup>1</sup>	Power Group	Direction	Pad Type <sup>2</sup>	State @reset
9	GPIO33/ TX_IND	TX_IND	GPIO33	PVDD_1V8	In/Out	BIDIR	HighZ, 2mA
		Primary Function: Transmission indicator (TX_IND, OUT). Active high.					
10	GPIO34/ ANT_TUNE0	ANT_TUNE0	GPIO34	PVDD_1V8	In/Out	BIDIR	HighZ, 2mA
		Primary Function: Antenna tuning (ANT_TUNE0, OUT)					
11	GPIO35/ ANT_TUNE1	ANT_TUNE1	GPIO35	PVDD_1V8	In/Out	BIDIR	HighZ, 2mA
		Primary Function: Antenna tuning (ANT_TUNE1, OUT)					
20	RESERVED/ FFF_FFH	RESERVED	N/A	PVDD_1V8	N/A	BIDIR	HighZ, 2mA
		Boot mode selection (FFF_FFH, IN). This pad needs a pull-down resistor by default.					
15, 17, 53, 71, 74, 75, 76, 77, 94	RESERVED	RESERVED	N/A	PVDD_1V8	N/A	BIDIR	
		Do not connect					
46	RESETN	EXT_RST_N	N/A	PMU_5V	In	IN	In, Pull-up
		Module HW reset signal. Active low. The minimum duration of a pulse on EXT_RST_N signal to be taken into account is 3.2 ms..This pin has an internal pull-up.					
16	RING0	RING0	N/A	PVDD_1V8	In/Out	BIDIR	HighZ, 2mA
		UART0 ring line (RING0, OUT). Enabled by default with inversed polarity.					
48	WAKE0	WAKE0	N/A	PMU_5V	In	IN	HighZ
		Wake #0 input line (WAKE0, IN), disabled by default.					

**Table 2-13:** Other Signals (No Interface) (Continued)

Pad #	Name	Primary Function	Alternate Function <sup>1</sup>	Power Group	Direction	Pad Type <sup>2</sup>	State @reset
47	WAKE1	WAKE1	N/A	PMU_5V	In	IN	HighZ
		Wake #1 input line (WAKE1, IN), disabled by default.					
49	WAKE2	WAKE2	N/A	PMU_5V	In	IN	HighZ
		Wake #2 input line (WAKE2, IN), disabled by default.					
55	WAKE3	WAKE3	N/A	PMU_5V	In	IN	HighZ
		Wake #3 input line (WAKE3, IN), disabled by default.					
57	WAKE4	WAKE4	N/A	PMU_5V	In	IN	HighZ
		Wake #4 input line (WAKE4, IN), disabled by default.					

1. Functions will be available in future versions via SW upgrade.
2. Pad types's electrical characteristics are detailed in [Table 2-15](#).

## 2.11 JTAG

**Table 2-14:** JTAG Pad Details

Pad #	Pad Name	Primary Function	Power Group	Direction	Pad type <sup>1</sup>	State @reset
69	JTAG_TCK	JTAG_TCK	PVDD_1V8	In	IN	In Pull-down Schmitt-trigger
67	JTAG_TDI	JTAG_TDI	PVDD_1V8	In	IN	In, Pull-up
68	JTAG_TDO	JTAG_TDO	PVDD_1V8	Out	BIDIR	Out, 0
66	JTAG_TMS	JTAG_TMS	PVDD_1V8	In	IN	In, Pull-up
70	JTAG_TRSTN	JTAG_TRSTN	PVDD_1V8	In	IN	In, Pull-down

<sup>1</sup>JTAG pad types's electrical characteristics are detailed in [Table 2-15](#).

## 2.12 Digital IO Characteristics

The voltage and current characteristics of the various IO pads of the GM02S versus IO bank supply voltage are illustrated in the tables below.

---

**Caution:** The PCB designer must ensure that the voltage on these pads never exceeds  $V_{ih}$  of the power group to which they belong.

---

See [Table 2-15](#) for digital IO characteristics of the different IO pads. Refer to each interface of GM02S in chapter [Interfaces](#) to know the power group and IO pad type for each pad. Note that IN pads are inputs only whereas BIDIR can be both inputs and output.

**Table 2-15:** DC Characteristics for Digital IOs, Voltage 1.8 V

Symbol	Minimum	Maximum	Unit
$V_{IH}$ Input HIGH level, PVDD_1V8 I/O pins	1.26	3.3	V
$V_{IH}$ Input HIGH level, PMU_5V I/O pins	0.8	VBAT + 0.6 (max 5.5)	V
$V_{IL}$ Input LOW level, PVDD_1V8 I/O pins	0	0.54	V
$V_{IL}$ Input LOW level, PMU_5V I/O pins	0	0.2	V
$V_{OH}$ Output HIGH voltage	1.44	1.8	V
$V_{OL}$ Output LOW voltage	0	0.36	V
$I_{RPU}$ Input pull-up resistor current	15		$\mu$ A
$R_{RPU}$ Input pull-up resistance		32.4	kOhm
$I_{RPD}$ Input pull-down resistor current	15		
$R_{RPD}$ Input pull-down resistance		32.4	kOhm
$V_H$ Input hysteresis	0.18		V

**Table 2-15:** DC Characteristics for Digital IOs, Voltage 1.8 V (Continued)

Symbol	Minimum	Maximum	Unit
$I_{PAD}$ Input leakage current, non-tolerant	-1	1	$\mu A$
$I_{OZ}$ Off-State leakage current		1	$\mu A$

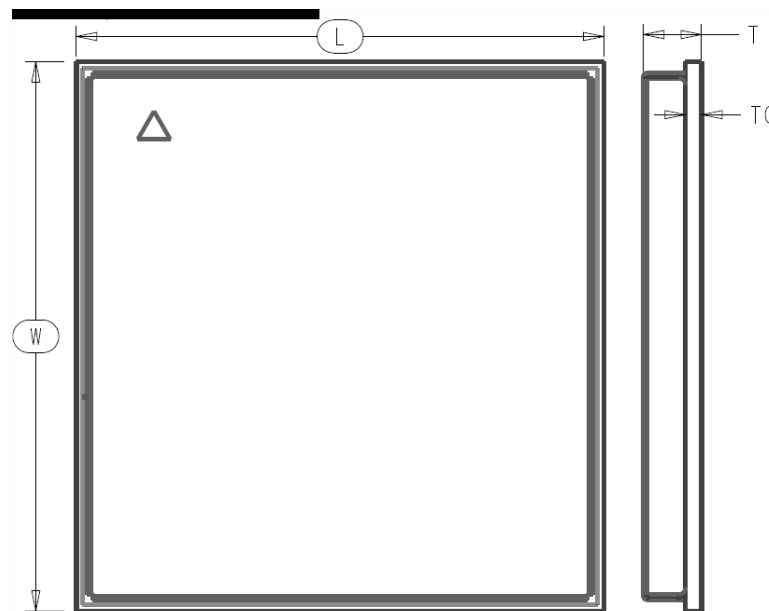
# 3

## Mechanical Characteristics

### 3.1 Package Description

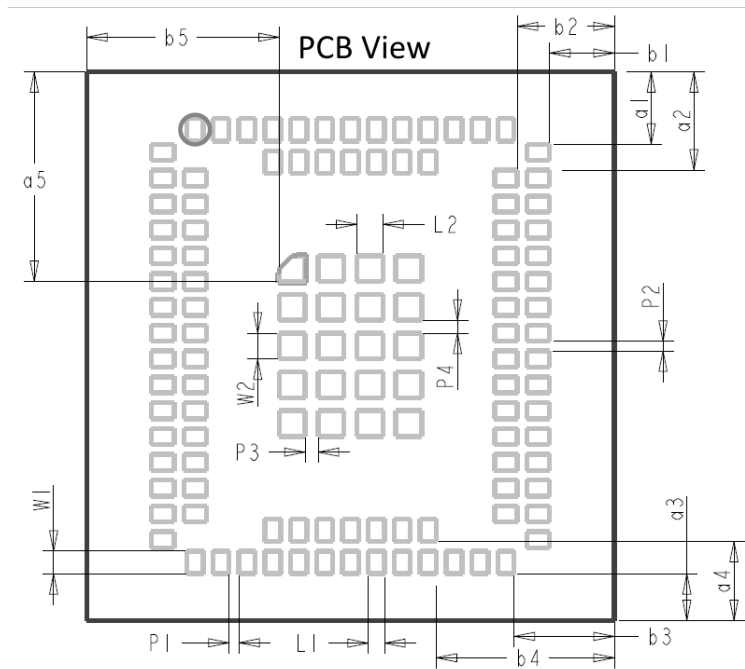
The package size with tolerance is:

$(16.3 \pm 0.1) \text{ mm} \times (17.0 \pm 0.1) \text{ mm} \times (1.85 \text{ max}) \text{ mm}$



**Figure 3-1: GM02S Top and Side Views**





**Figure 3-2: GM02S PCB View**

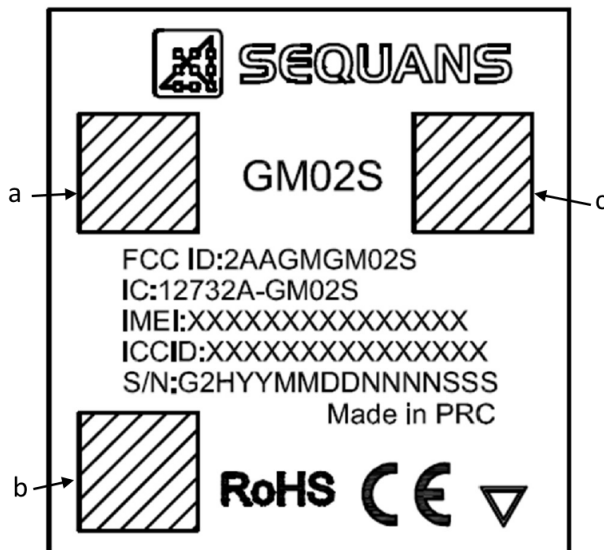
**Note:** Gxx pads should be grounded to a large ground plane on customer's PCB layer 1. It is also recommended to have the Gxx pads area in the PCB through ground vias to improve thermal dissipation efficiency.

**Table 3-1: GM02S Dimensions (mm)**

Dimension	Value (mm)
L	16.3 ± 0.1
W	17.0 ± 0.1
T	1.85 max
T0	0.5 max
L1	0.5 ± 0.1
W1	0.7 ± 0.1
L2	0.8 ± 0.1
W2	0.8 ± 0.1
a1	2.25 ± 0.1
a2	3.05 ± 0.1

**Table 3-1:** GM02S Dimensions (mm) (Continued)

Dimension	Value (mm)
a3	1.45 ± 0.1
a4	2.45 ± 0.1
a5	6.5 ± 0.1
b1	2.0 ± 0.1
b2	3.0 ± 0.1
b3	3.1 ± 0.1
b4	5.5 ± 0.1
b5	5.95 ± 0.1
P1	0.3 ± 0.1
P2	0.3 ± 0.1
P3	0.4 ± 0.1
P4	0.4 ± 0.1



**Figure 3-3: GM02S Laser Marking (Preliminary)**

Notes on [Figure 3-3](#):

1. FCC ID: 2AAGMGM02S
2. IC: 12732A-GM02S
3. IMEI:XXXXXXXXXXXXXXXXXX
4. ICCID:XXXXXXXXXXXXXXXXXX (for future support)
5. S/N:G2HYMMDDNNNNSSS (16 digits)
  - G2H: reserved (3 digits)
  - YYMMDD: Manufacturing Date (YY:Year;MM:Month,DD:Day)
  - NNNN: Panel counter (from 0001~9999)
  - SSS: Piece location on panel (from 001~036)
6. 2D marked "a" refer to IMEI Barcode
7. 2D marked "b" refer to ICCID Barcode (for future support)
8. 2D marked "c" refer to S/N Barcode

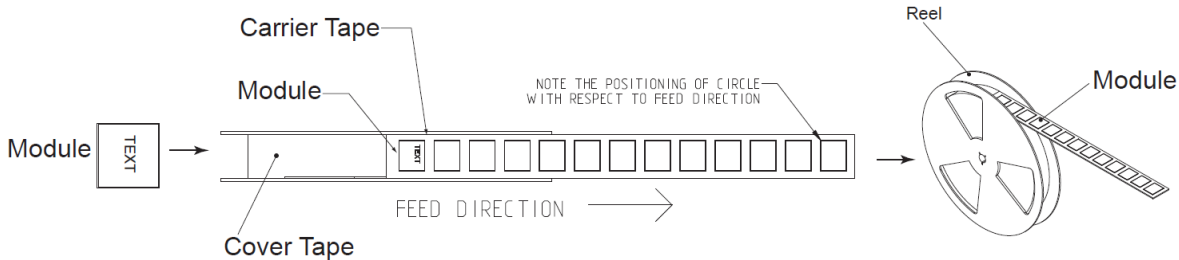
## 3.2 Environmental Conditions

The environmental operating conditions are:

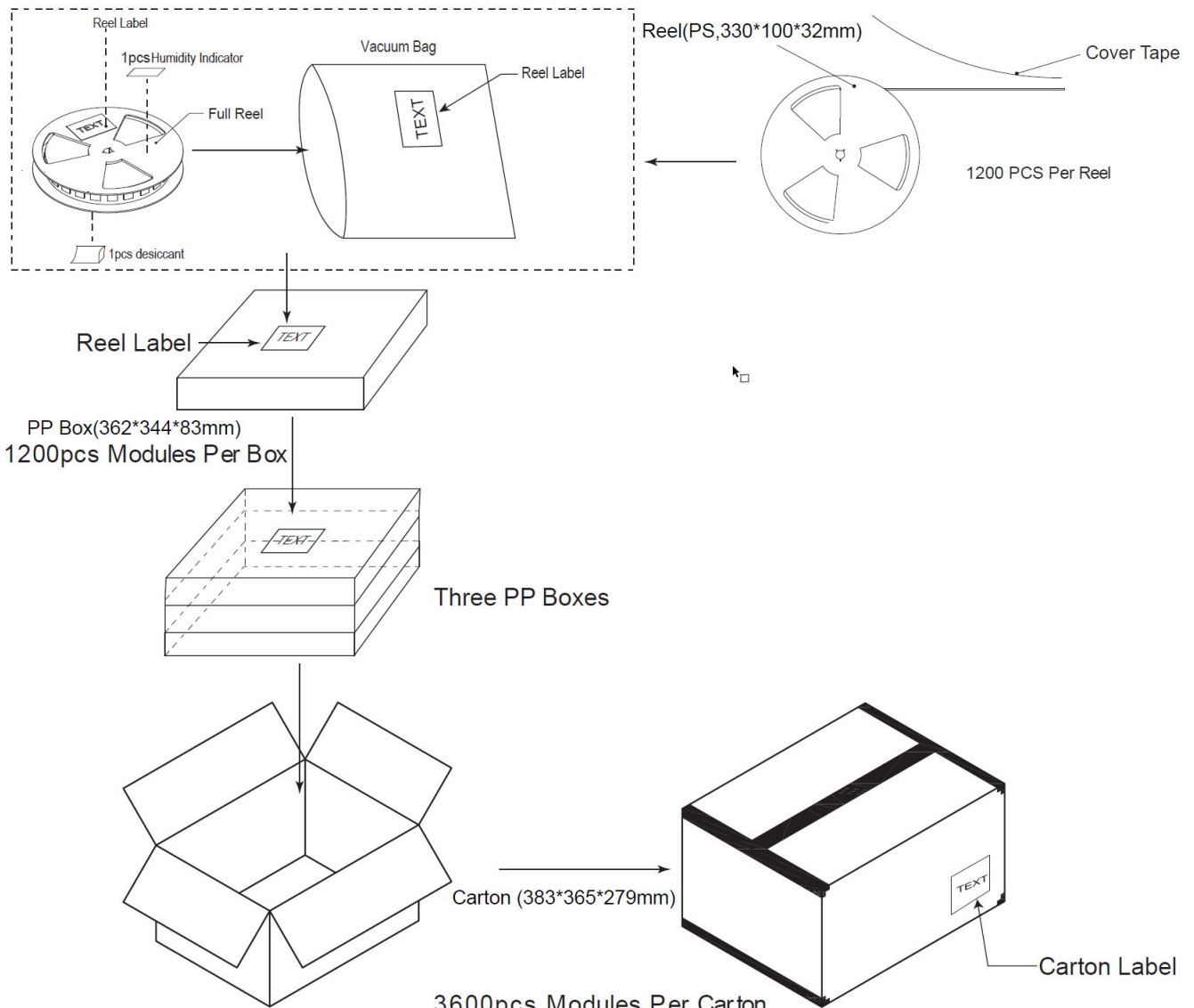
- Temperature:
  - Operational and RF compliant: -40°C, +85°C  
(PCB temperature as measured by on-board thermistor)

### 3.3 Packing

The GM02S is delivered in Tape-and-Reel. Details are provided in the figures below.



**Figure 3-4: Packing Modules in Reels**



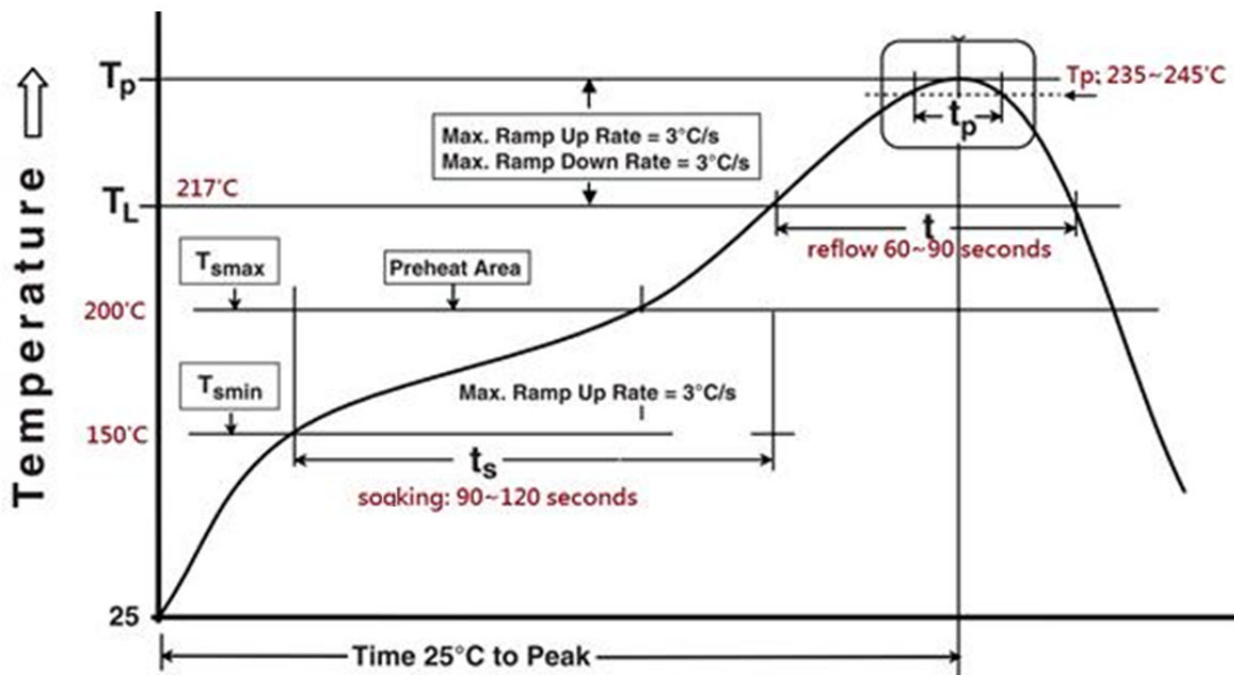
**Figure 3-5: Packing Reels in Boxes**

## 3.4 Storage and Mounting

The GM02S module is Moisture Level 3 rated as per JEDEC industrial standard: <http://www.ipc.org/TOC/J-STD-033D-TOC.pdf>

**Table 3-2:** Reflow Profile

Profile Feature	
Soaking Time	150°C~200°C 90~120 seconds
Reflow Time	> 217 °C 60~90 seconds
Peak Temperature	235°C ~245°C
Pre-heat Rate	25°C~150°C 3°C/second max
Ramp-down Rate	$T_p \sim T_L$ 3°C/second max



**Figure 3-6:** Reflow Profile Parameters

---

# 4

## Regulatory Approval

- RED regulatory approval details will be provided in a future revision of this document.
- TELECOM regulatory approval details will be provided in a future revision of this document.

## 4.1 FCC Regulatory Approval

FCC-ID: 2AAGMGM02S (single modular approval)

This above identified LTE radio module is not intended to be provided to end-users but is for installation by OEM integrators only.

### *Installation/Integration*

OEM integrators must follow Sequans installation instructions to provide for and benefit from FCC compliant module integrations and must abide especially by the following:

The maximum antenna gain values (accounting for cable attenuation) to comply with the FCC maximum ERP/EIRP limits and with RF Exposure rules:

- LTE band 2 (1800 MHz): 10 dBi
- LTE band 4 (1700 MHz): 7 dBi
- LTE band 12 (700 MHz): 7.6 dBi

The Sequans' module integration guidelines must be closely followed.

Compliance of host integrations of the module is limited to hosts adaptation designs which are identical to Sequans' reference design.

Host integrations with adaption designs deviating from Sequans' reference design require either class 2 permissive change to this modular approval or a separate host approval with different FCC-ID;

Host integrations with co-located (simultaneously operating) radio transmitters must be evaluated in accordance with FCC multi-transmitter rules and may require either class 2 permissive change to this modular approval or a separate host approval with different FCC-ID, dependent on the result of the evaluation; Inquiry at FCC or a TCB is urgently recommended.

Integrations of the module into host products which are intended for portable use, i.e. less than 20cm distance between its radiating structures (antenna) and the body of nearby persons, or which otherwise put additional technical requirements like Hearing Aid compatibility require either class 2 permissive change to this modular approval or a separate host approval with different FCC-ID;

### *Compliance with Unwanted Emission Limits for Digital Device*

If the OEM host integration fully complies with the above described reference design and can completely inherit and rest on compliance of the existing modular approval the OEM remains still responsible to show compliance of the overall end-product with the FCC limits for unwanted conducted and radiated emissions from the digital device (unintentional radio) portion of such end-product (commonly addressed as part 15B compliance or similar).



### *End-product Labelling*

- FCC-ID

The module's FCC-ID must either be visible from the exterior of the host product (e.g. per window) or per electronic display, or shall be displayed on an additional exterior label per the following or similar string:

contains FCC-ID: 2AAGMGM02S

- Digital Device - Unwanted Emissions Notice

If the end-product falls under part 15 of the FCC rules (it shall display the following user notice on its exterior acc. to part 15.19 (the notice may be printed in the manual in case the host is too small):

This device complies with Part 15 of the FCC Rules. Operation is subject to the following two conditions:

(1) This device may not cause harmful interference,  
and

(2) This device must accept any interference received, including interference that may cause undesired operation.

- Further Labelling Requirements may apply dependent on the FCC rule parts relevant to the host product.
- End-product User Instructions / Notices in the Manual

At a minimum, end-product users must be provided with the following notices at a prominent location of the product literature furnished with the product:

\* Product Modifications

Modifications not expressly approved by the party responsible for compliance could void the user's authority to operate this equipment.

\* RF Exposure Compliance

This equipment complies with FCC radio frequency radiation exposure rules and limits set forth for an uncontrolled environment, when installed and operated with minimum distance of 20cm between its radiating structures (antenna) and the body of nearby persons and when not operated simultaneously with other nearby radio-transmitters.

- Maximum Antenna Gain

The user instructions of end-products equipped with standard external antenna connectors for the modular radio transmitter providing the option to connect other antennae than those which may or may not be bundled with the end-product must list the maximum allowed antenna gain values as derived from those given above, accounting for the cable attenuations of the actual installation.

- Digital Device - Unwanted Emissions Notice

If the end-product is or contains a digital device (unintentional radio portions) and is not exempted by its use case (like vehicular use) the following part 15.105 (b) user notice shall be provided at prominent location of the product literature:

This equipment has been tested and found to comply with the limits for a Class B digital device, pursuant to part 15 of the FCC rules. These limits are designed to provide reasonable protection against harmful interference in a residential installation.

This equipment generates uses and can radiate radio frequency energy and, if not installed and used in accordance with the instructions, may cause harmful interference to radio communications. However, there is no guarantee that interference will not occur in a particular installation. If this equipment does cause harmful interference to radio or television reception, which can be determined by turning the equipment off and on, the user is encouraged to try to correct the interference by one or more of the following measures:

- o Reorient or relocate the receiving antenna.
- o Increase the separation between the equipment and receiver.
- o Connect the equipment into an outlet on a circuit different from that to which the receiver is connected.
- o Consult the dealer or an experienced radio/TV technician for help

- Further User Notices

May be required dependent on the FCC rule parts relevant to the host product.

- Non-allowed User Instructions

The end-product user guidance may NOT include instructions about how to install or de-install the module.

## 4.2 Industry Canada Statement

This device complies with ISED's licence exempt RSSs. Operation is subject to the following two conditions: (1) This device may not cause harmful interference, and (2) this device must accept any interference received, including interference that may cause undesired operation.

Le présent appareil est conforme aux CNR d'ISED applicables aux appareils radio exempts de licence. L'exploitation est autorisée aux deux conditions suivantes : (1) le dispositif ne doit pas produire de brouillage préjudiciable, et (2) ce dispositif doit accepter tout brouillage reçu, y compris un brouillage susceptible de provoquer un fonctionnement indésirable.

**This device is intended only for OEM integrators under the following conditions: (For module device use)**

- 1) The antenna must be installed such that 20 cm is maintained between the antenna and users, and
- 2) The transmitter module may not be co located with any other transmitter or antenna

As long as 2 conditions above are met , further transmitter test will not be required. However, the OEM integrator is still responsible for testing their end product for any additional compliance requirements required with this module installed.

**Cet appareil est conçu uniquement pour les intégrateurs OEM dans les conditions suivantes: (Pour utilisation de dispositif module)**

- 1) L'antenne doit être installée de telle sorte qu'une distance de 20 cm est respectée entre l'antenne et les utilisateurs, et
- 2) Le module émetteur peut ne pas être coïncidé avec un autre émetteur ou antenne.

Tant que les 2 conditions ci dessus sont remplies, des essais supplémentaires sur l'émetteur ne seront pas nécessaires. Toutefois, l'intégrateur OEM est toujours responsable des essais sur son produit final pour toutes exigences de conformité supplémentaires requis pour ce module installé.

### **IMPORTANT NOTE:**

In the event that these conditions can not be met (for example certain laptop configurations or colocation with another transmitter), then the Canada authorization is no longer considered valid and the IC ID can not be used on the final product. In these circumstances, the OEM integrator will be responsible for re evaluating the end product (including the transmitter) and obtaining a separate Canada authorization.

**NOTE IMPORTANTE:**

Dans le cas où ces conditions ne peuvent être satisfaites (par exemple pour certaines configurations d'ordinateur portable ou de certaines co localisation avec un autre émetteur), l'autorisation du Canada n'est plus considéré comme valide et l'ID IC ne peut pas être utilisé sur le produit final. Dans ces circonstances, l'intégrateur OEM sera chargé de réévaluer le produit final (y compris l'émetteur) et l'obtention d'une autorisation distincte au Canada.

**End Product Labeling**

This transmitter module is authorized only for use in device where the antenna may be installed such that 20 cm may be maintained between the antenna and users. The final end product must be labeled in a visible area with the following: "Contains IC:12732A-GM02S".

**Plaque signalétique du produit final**

Ce module émetteur est autorisé uniquement pour une utilisation dans un dispositif où l'antenne peut être installée de telle sorte qu'une distance de 20cm peut être maintenue entre l'antenne et les utilisateurs. Le produit final doit être étiqueté dans un endroit visible avec l'inscription suivante: "Contient des IC: 12732A-GM02S".

**Manual Information To the End User**

The OEM integrator has to be aware not to provide information to the end user regarding how to install or remove this RF module in the user's manual of the end product which integrates this module.

The end user manual shall include all required regulatory information/warning as show in this manual.

**Manuel d'information à l'utilisateur final**

L'intégrateur OEM doit être conscient de ne pas fournir des informations à l'utilisateur final quant à la façon d'installer ou de supprimer ce module RF dans le manuel de l'utilisateur du produit final qui intègre ce module.

Le manuel de l'utilisateur final doit inclure toutes les informations réglementaires requises et avertissements comme indiqué dans ce manuel.

---

# A

# Acronyms

Acronym	Definition
ADC	Analog to Digital Converter
CPU	Central Processing Unit
DL	Downlink
ESD	Electro-static discharge
ETSI	European Telecommunications Standard Institute
GND	Ground
GPIO	General Purpose Input Output
I/O	Input/Output
I2C	Inter-Integrated Circuit interface
IMEI	International Mobile Equipment Identity
IP	Internet Protocol
JTAG	Joint Test Action Group
LGA	Large Grid Array
LTE	Long Term Evolution, or 4G. Standard is developed by the 3GPP <a href="http://www.3gpp.org">www.3gpp.org</a> .
MIMO	Multiple In Multiple Out
NAS	Network Access Server
OMADM	Open Mobile Alliance Device Management
PCM	Pulse-Code Modulation
PHY	Physical Layer

---

Acronym	Definition
RED	European Radio Equipment Directive
RF	Radio Frequency
RoHS	Restriction of Hazardous Substances
Rx	Reception
S/N	or SN: Serial Number
SIM	Subscriber Identification Module
SMS	Short Message Service
SPI	Serial Peripheral Interface
Tx	Transmission
UART	Universal Asynchronous Receiver Transmitter
UE	User Equipment
UL	Uplink
USB	Universal Serial Bus

---

# About this Datasheet

## Purpose and Scope

The GM02S is a complete LTE Cat M1/NB1/NB2 module including base-band, RF and memory, for the design of narrowband low data rate M2M and IoT devices for wide deployment. This document provides technical information about GM02S LGA module. GM02S is based on Sequans' Monarch 2 platform.

## Who Should Read this Document

This document is intended for engineers who are developing User Equipment (UE) for LTE systems.

---

## Changes in this Document

The following changes were done since the previous edition of this document:

- Updated part numbers details in [Table 1-1](#) on page 3
- Added timing diagrams in Section [2.3 Power](#) on page 6.
- Added Section [2.3.2 Power States](#) on page 7.
- Added default Enable status for GPIOs in Section [2.9 GPIO](#) on page 16
- Added RING0 polarity information in [Table 2-13](#).
- Restrict usage for Pad #53 to Reserved in [Table 2-13](#) and signals list.
- Updated wake signals default enable state in [Table 2-5](#) and [Table 2-13](#).
- Updated VBAT characteristics in [Table 2-15](#) on page 21.
- Updated Section [3.3 Packing](#) on page 28.
- Added Sections [FCC Regulatory Approval](#) and [Industry Canada Statement](#) in Chapter [Regulatory Approval](#) on page 30.
- Changed assignment (from GND to DNC) for pads 71, 74, 75, 76, 77.
- Various edits



# Table of Contents

---

<b>Chapter 1</b>		
<b>Product Summary</b>		<b>1</b>
1.1	General Description	1
1.2	Frequency Bands	1
1.3	Applications	2
1.4	Block Diagram	2
1.5	General Features	3
<b>Chapter 2</b>		
<b>Interfaces</b>		<b>4</b>
2.1	Pin Assignment	4
2.2	Antenna	5
2.3	Power	6
2.3.1	Power Details	6
2.3.2	Power States	7
2.4	UART	9
2.5	USIM Interfaces	12
2.5.1	SIM0 Interface	12
2.5.2	SIM1 Interface	13
2.6	I2C	13
2.7	PCM	14
2.8	SPI	15
2.9	GPIO	16
2.10	Other Signals	17
2.11	JTAG	20
2.12	Digital IO Characteristics	21
<b>Chapter 3</b>		
<b>Mechanical Characteristics</b>		<b>23</b>
3.1	Package Description	23
3.2	Environmental Conditions	27
3.3	Packing	28
3.4	Storage and Mounting	29
<b>Chapter 4</b>		
<b>Regulatory Approval</b>		<b>30</b>
4.1	FCC Regulatory Approval	31

4.2 Industry Canada Statement ..... 34

**Appendix A**

**Acronyms . . . . . 36**

**About this Datasheet . . . . . 38**

Purpose and Scope ..... 38

Who Should Read this Document ..... 38

Changes in this Document ..... 39