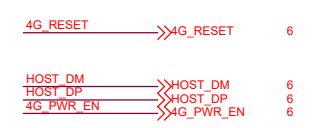
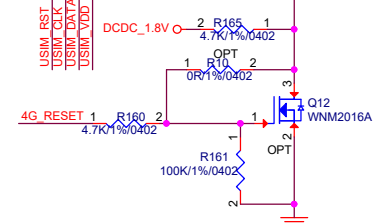
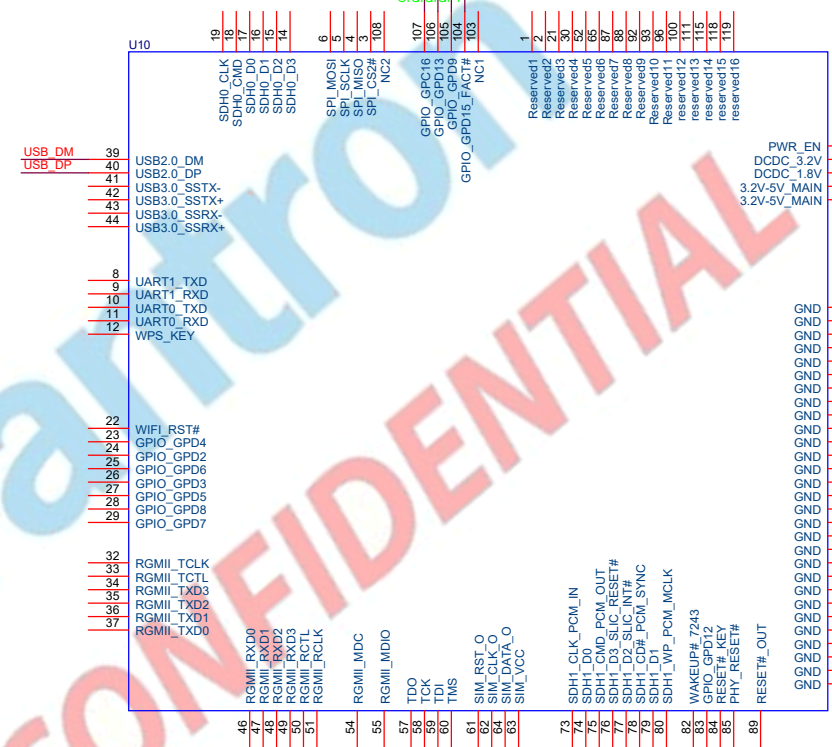
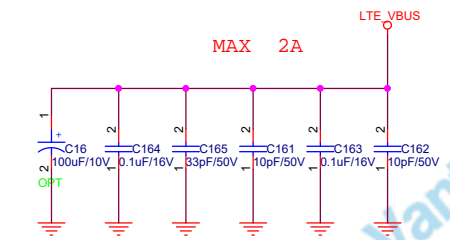
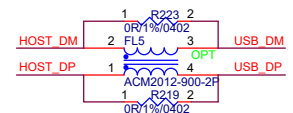
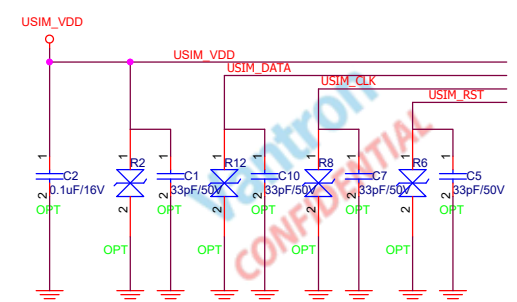
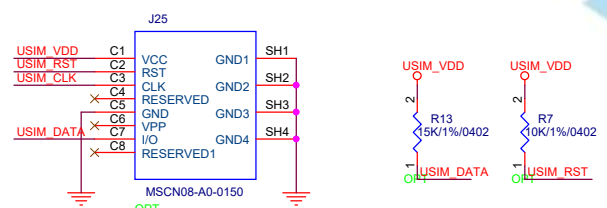
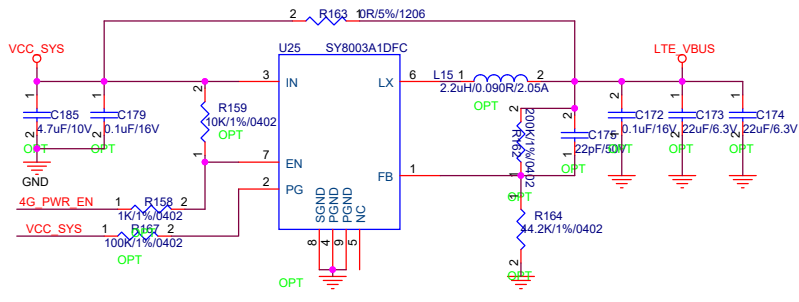


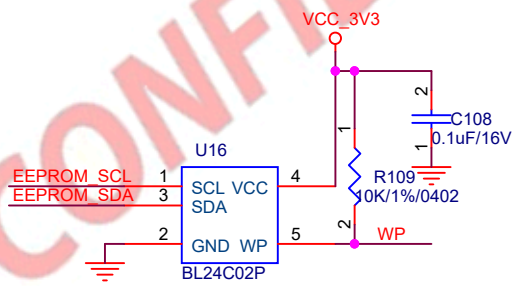
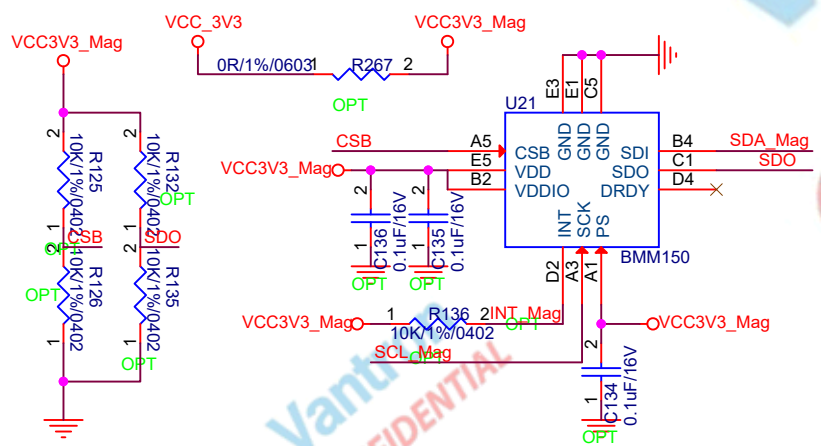
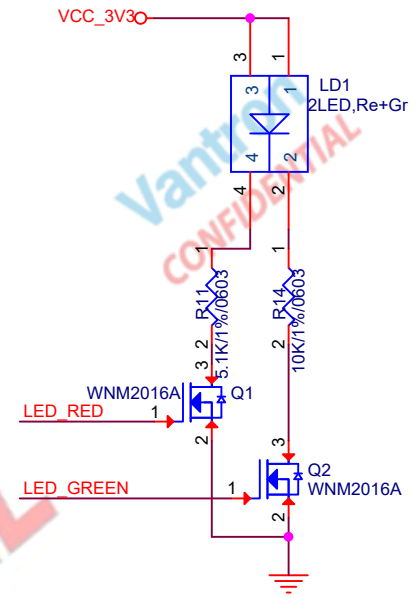
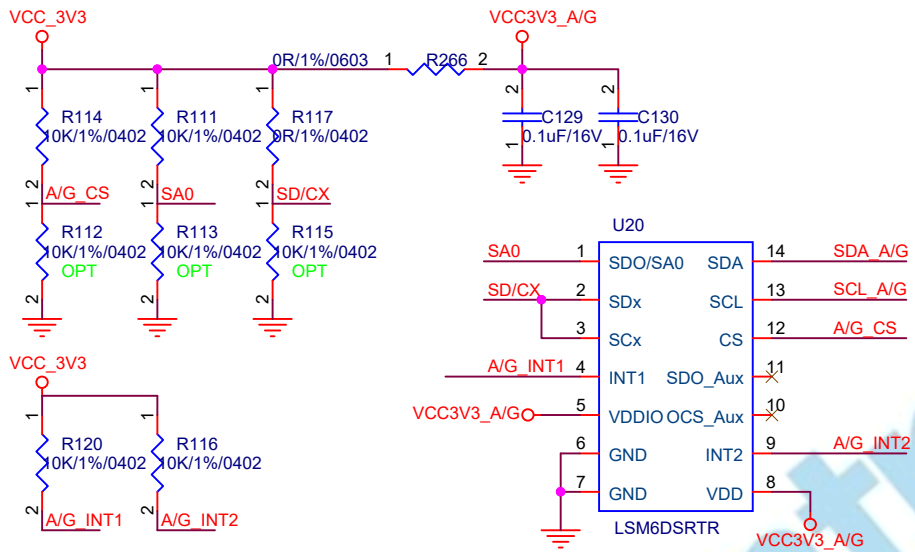
Vantron  
CONFIDENTIAL

Vantron  
CONFIDENTIAL

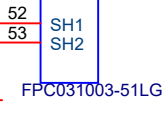
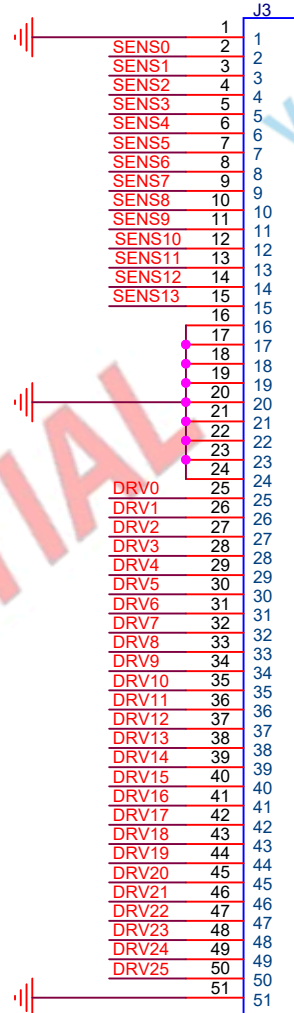
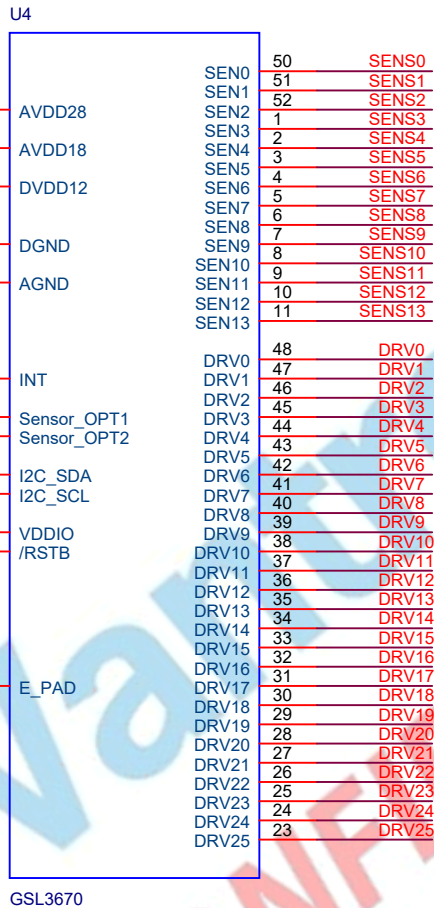
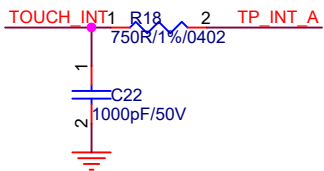
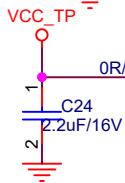
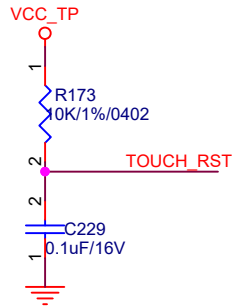
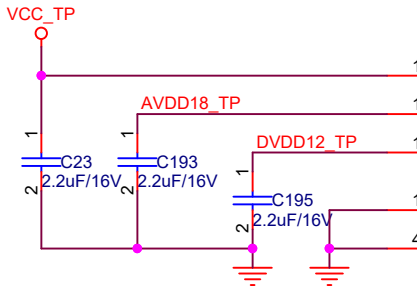
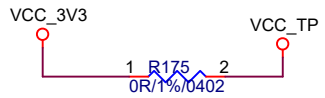
Vantron  
CONFIDENTIAL



Vantron  
CONFIDENTIAL



LED_GREEN	LED_GREEN	6
LED_RED	LED_RED	6
WP	WP	6
EEPROM_SCL	EEPROM_SCL	6
EEPROM_SDA	EEPROM_SDA	6
INT_Mag	INT_Mag	6
SCL_Mag	SCL_Mag	6
SDA_Mag	SDA_Mag	6
SCL_A/G	SCL_A/G	6
SDA_A/G	SDA_A/G	6
A/G_INT1	A/G_INT1	6
A/G_INT2	A/G_INT2	6

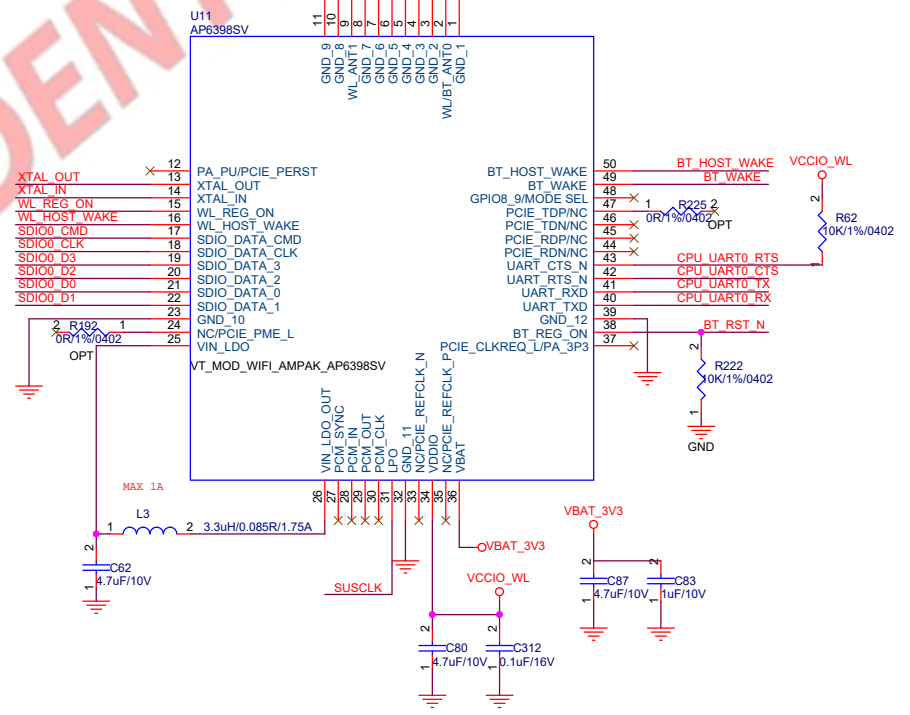
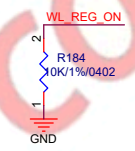
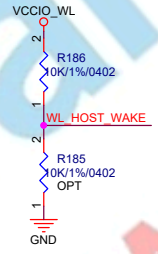
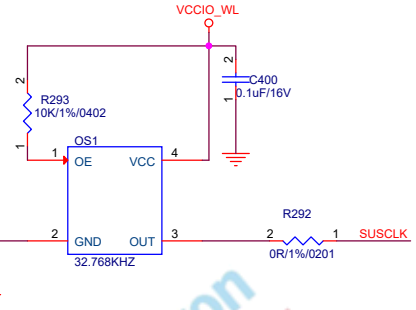
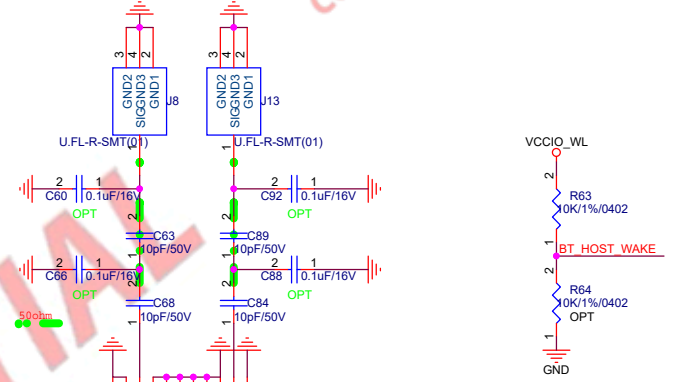
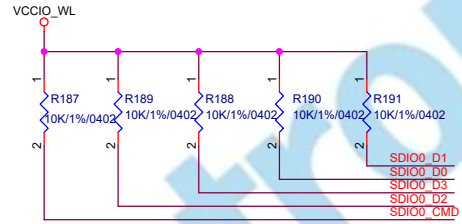
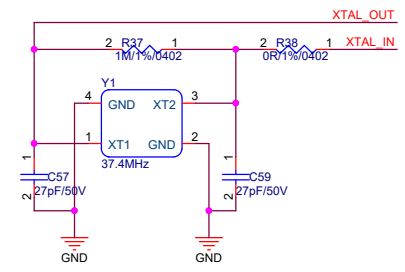
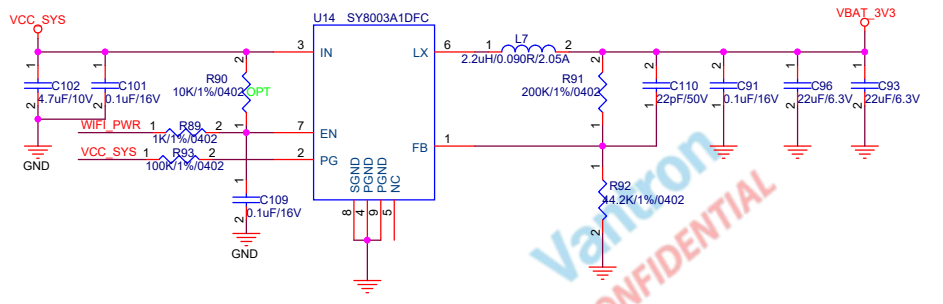
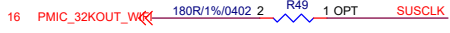
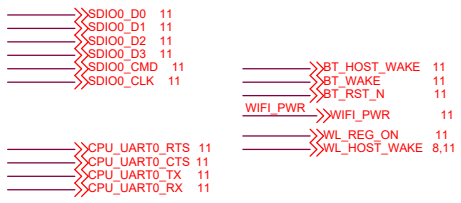


Vantron  
CONFIDENTIAL

Vantron  
CONFIDENTIAL

Vantron  
CONFIDENTIAL

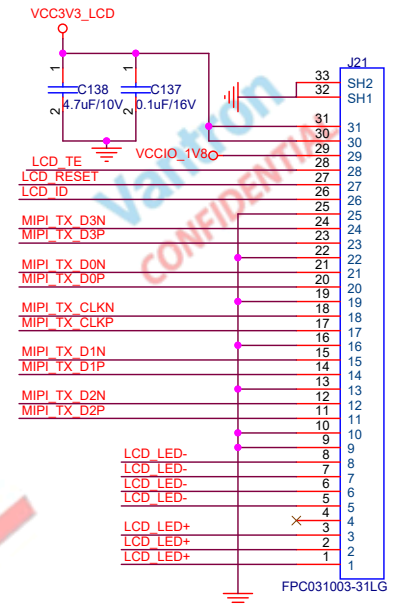
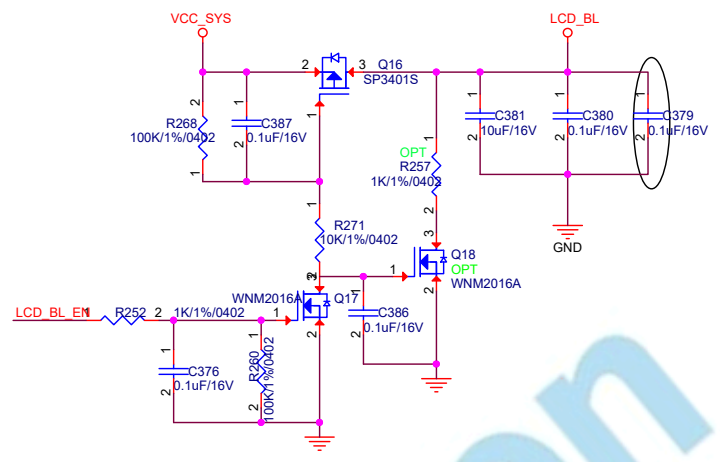
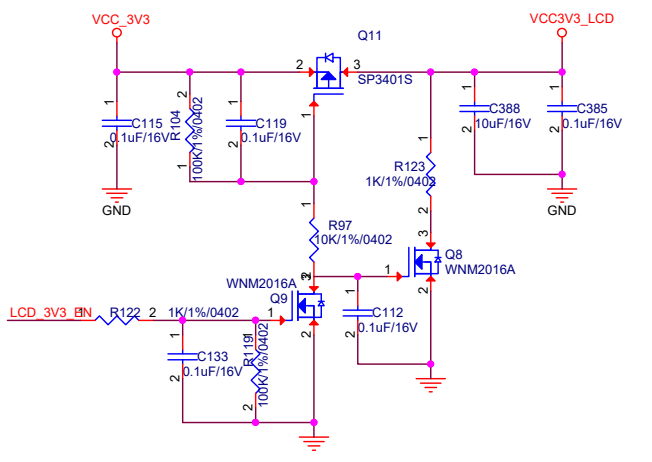
FPC031003-51LG



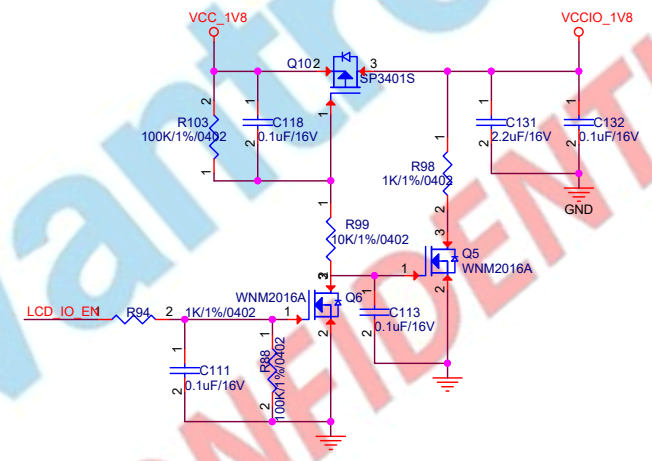
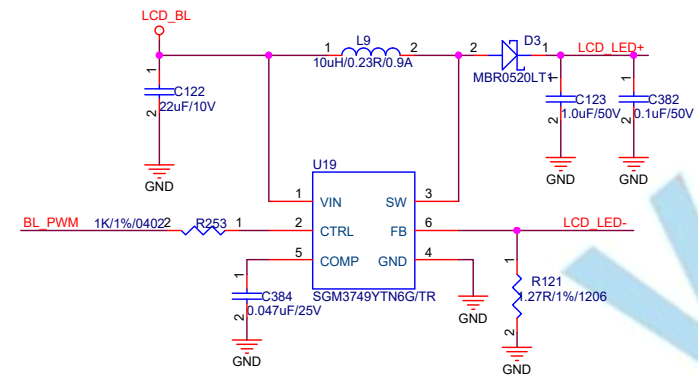
Vantron  
 CONFIDENTIAL

Vantron  
 CONFIDENTIAL

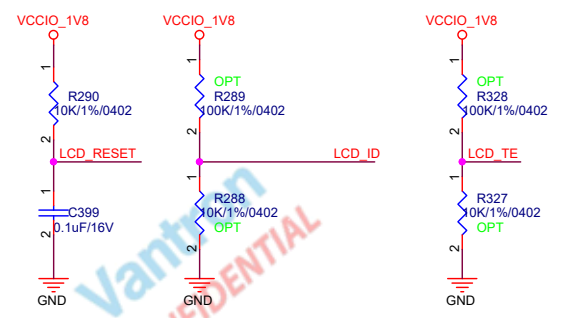
Vantron  
 CONFIDENTIAL

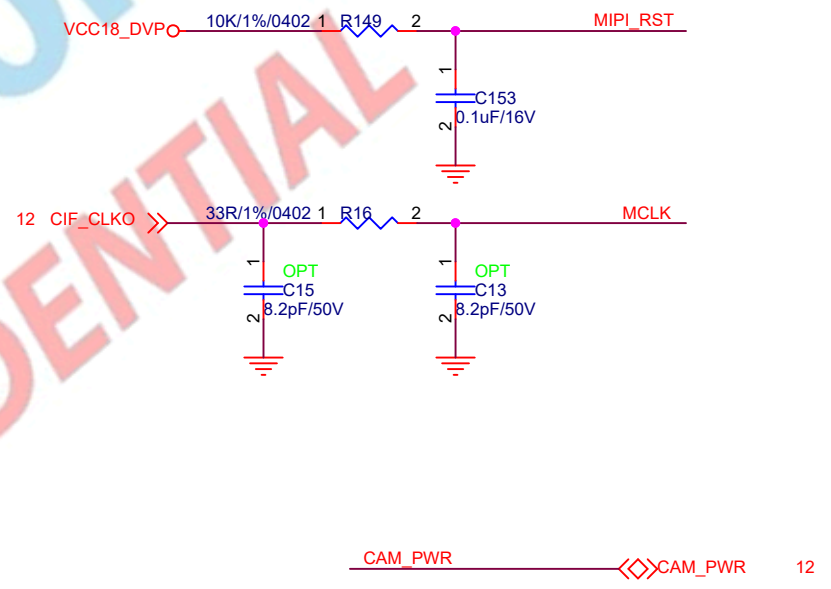
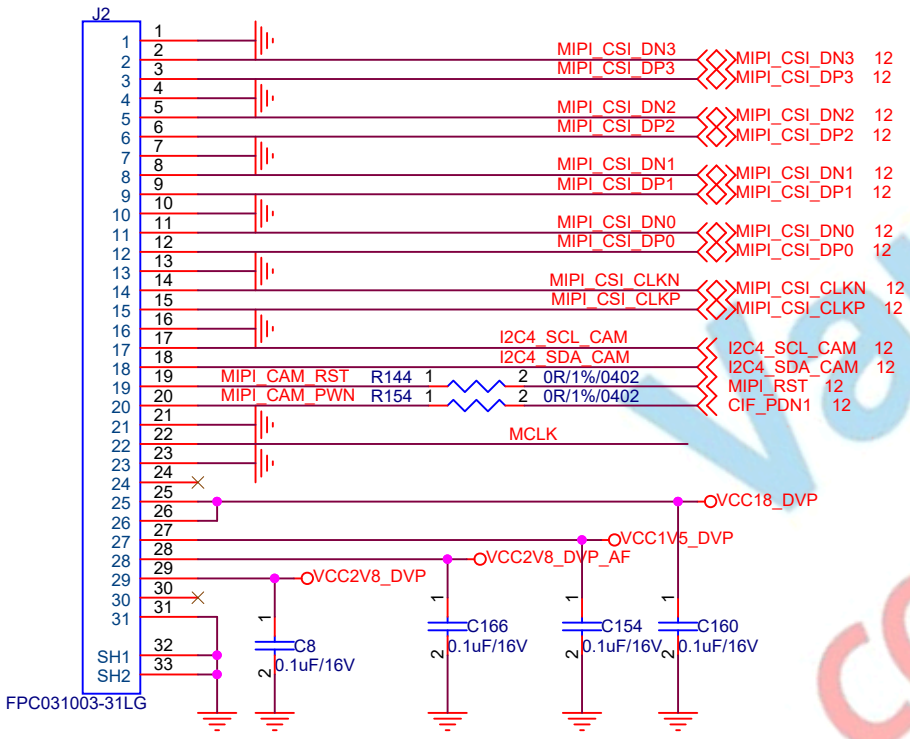
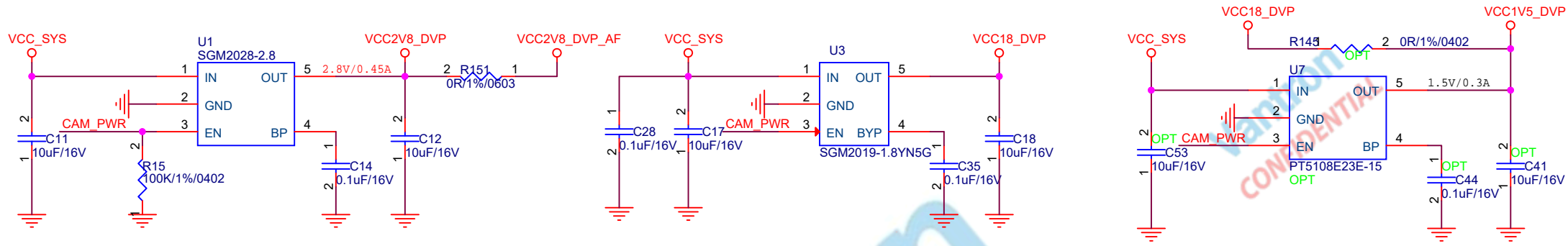


33	J21
32	SH2
31	SH1
30	
29	
28	
27	
26	
25	
24	
23	
22	
21	
20	
19	
18	
17	
16	
15	
14	
13	
12	
11	
10	
9	
8	
7	
6	
5	
4	
3	
2	
1	



LCD ID	LCD_ID	[12]
LCD RESET	LCD_RESET	[6]
BL_PWM	BL_PWM	[12]
LCD_BL_EN	LCD_BL_EN	[6]
LCD_3V3_EN	LCD_3V3_EN	[6]
LCD_IO_EN	LCD_IO_EN	[6]
MIPI_TX_D3P	MIPI_TX_D3P	[11]
MIPI_TX_D3N	MIPI_TX_D3N	[11]
MIPI_TX_D2P	MIPI_TX_D2P	[11]
MIPI_TX_D2N	MIPI_TX_D2N	[11]
MIPI_TX_CLKP	MIPI_TX_CLKP	[11]
MIPI_TX_CLKN	MIPI_TX_CLKN	[11]
MIPI_TX_D1P	MIPI_TX_D1P	[11]
MIPI_TX_D1N	MIPI_TX_D1N	[11]
MIPI_TX_D0P	MIPI_TX_D0P	[11]
MIPI_TX_D0N	MIPI_TX_D0N	[11]





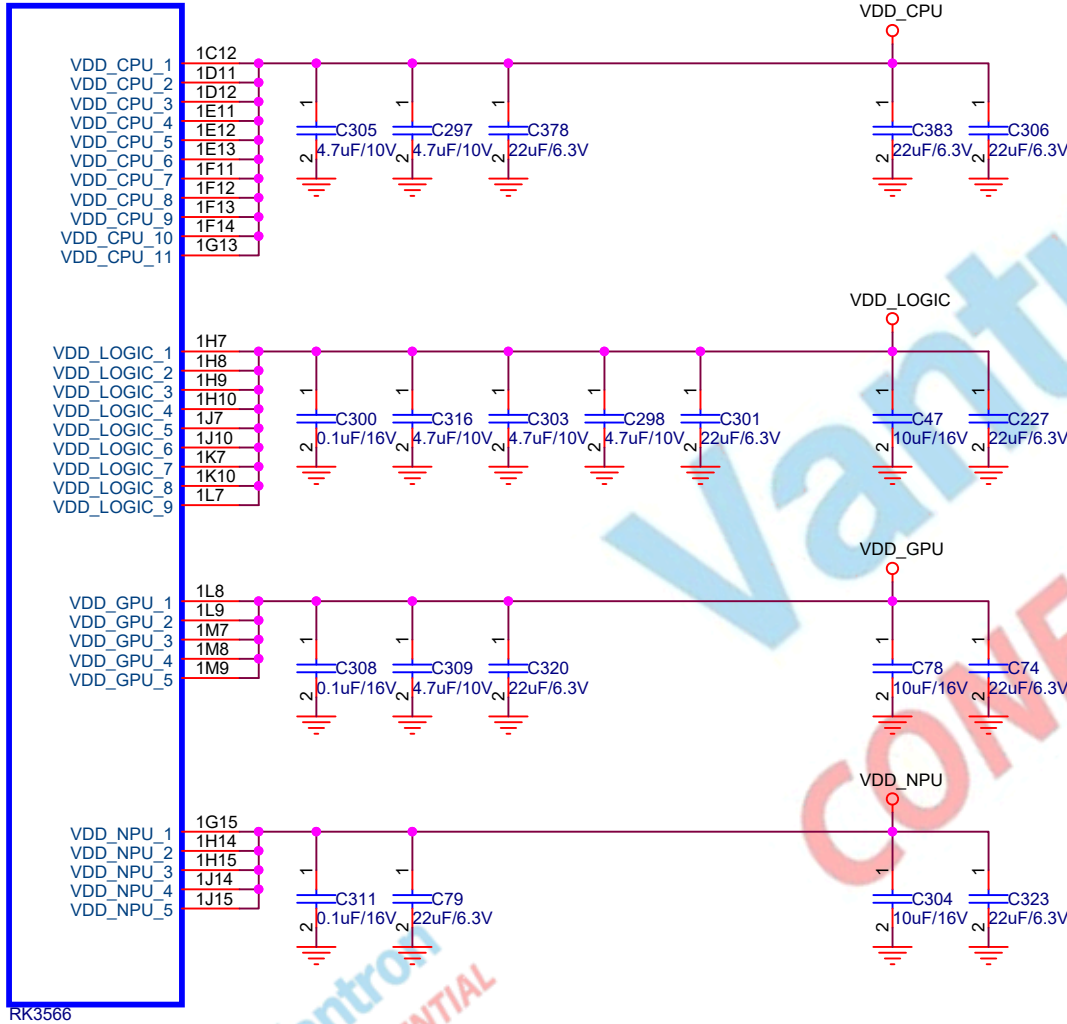
Vantron  
CONFIDENTIAL

Vantron  
CONFIDENTIAL

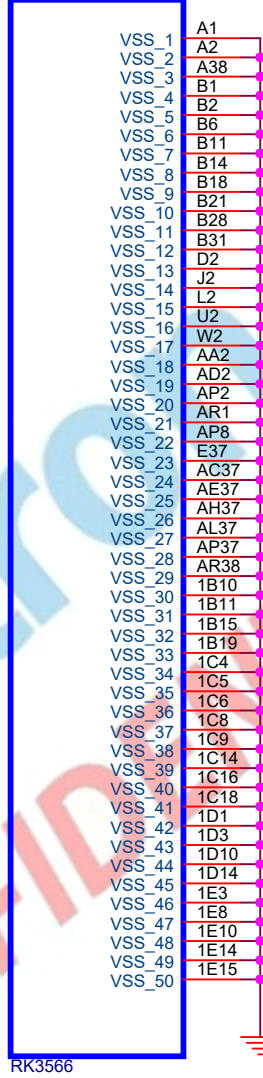




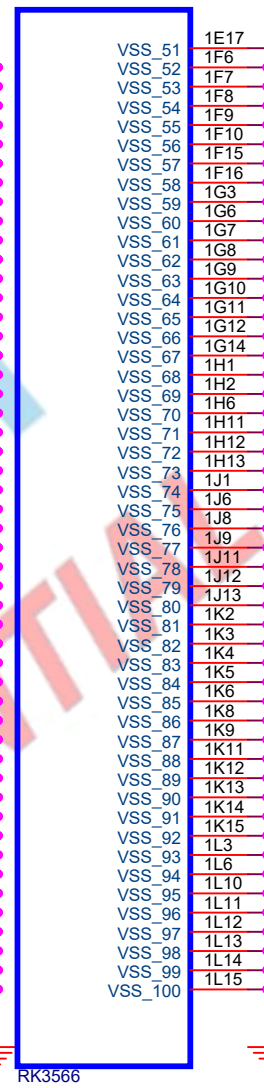
U12A



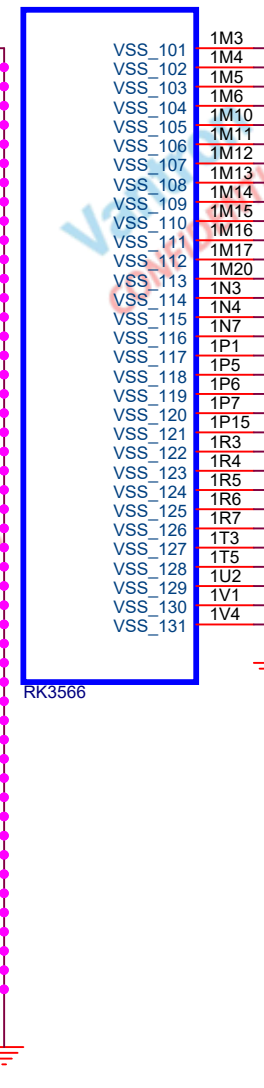
U12B



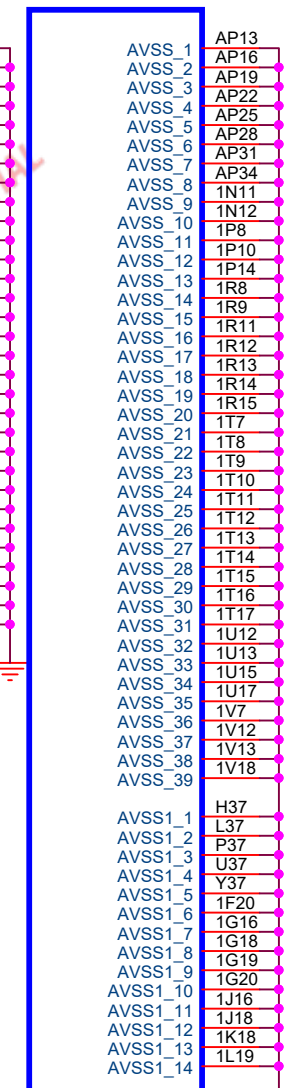
U12C



U12D



U12E



Vantrol CONFIDENTIAL

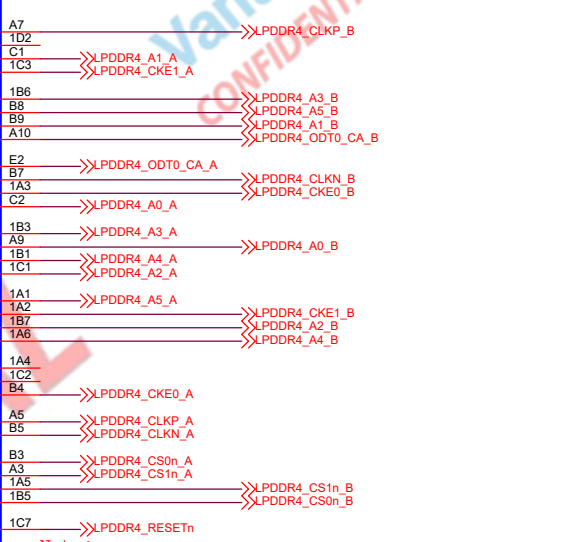
LPDDR4	DDR	DDR4	LPDDR4	DDR3	LPDDR3		
LPDDR4_D0_A	DDR DQ0 A	G2	DDR DQ0 A	DDR4 DQ0 A	LPDDR4 DQ0 A	DDR3 DQ0	LPDDR3 DQ15
LPDDR4_D1_A	DDR DQ1 A	F2	DDR DQ1 A	DDR4 DQ1 A	LPDDR4 DQ1 A	DDR3 DQ1	LPDDR3 DQ14
LPDDR4_D2_A	DDR DQ2 A	F1	DDR DQ2 A	DDR4 DQ2 A	LPDDR4 DQ2 A	DDR3 DQ2	LPDDR3 DQ13
LPDDR4_D3_A	DDR DQ3 A	E1	DDR DQ3 A	DDR4 DQ3 A	LPDDR4 DQ3 A	DDR3 DQ3	LPDDR3 DQ12
LPDDR4_D4_A	DDR DQ4 A	M2	DDR DQ4 A	DDR4 DQ4 A	LPDDR4 DQ4 A	DDR3 DQ4	LPDDR3 DQ11
LPDDR4_D5_A	DDR DQ5 A	K1	DDR DQ5 A	DDR4 DQ5 A	LPDDR4 DQ5 A	DDR3 DQ5	LPDDR3 DQ10
LPDDR4_D6_A	DDR DQ6 A	K2	DDR DQ6 A	DDR4 DQ6 A	LPDDR4 DQ6 A	DDR3 DQ6	LPDDR3 DQ9
LPDDR4_D7_A	DDR DQ7 A	1E1	DDR DQ7 A	DDR4 DQ7 A	LPDDR4 DQ7 A	DDR3 DQ7	LPDDR3 DQ8
LPDDR4_DM0_A	DDR DM0 A	1E2	DDR DM0 A	DDR4 DML_A	LPDDR4_DM0_A	DDR3 DM0	LPDDR3 DM1
LPDDR4_DQS0P_A	DDR DQS0P A	H2	DDR DQS0P A	DDR4 DQSL_P A	LPDDR4_DQS0P_A	DDR3 DQS0P	LPDDR3 DQS1P
LPDDR4_DQS0N_A	DDR DQS0N A	H1	DDR DQS0N A	DDR4 DQSL_N A	LPDDR4_DQS0N_A	DDR3 DQS0N	LPDDR3 DQS1N
LPDDR4_D8_A	DDR DQ8 A	P2	DDR DQ8 A	DDR4 DQ8 A	LPDDR4 DQ8 A	DDR3 DQ8	LPDDR3 DQ25
LPDDR4_D9_A	DDR DQ9 A	R1	DDR DQ9 A	DDR4 DQ9 A	LPDDR4 DQ9 A	DDR3 DQ9	LPDDR3 DQ24
LPDDR4_D10_A	DDR DQ10 A	R2	DDR DQ10 A	DDR4 DQ10 A	LPDDR4 DQ10 A	DDR3 DQ10	LPDDR3 DQ23
LPDDR4_D11_A	DDR DQ11 A	T2	DDR DQ11 A	DDR4 DQ11 A	LPDDR4 DQ11 A	DDR3 DQ11	LPDDR3 DQ22
LPDDR4_D12_A	DDR DQ12 A	M1	DDR DQ12 A	DDR4 DQ12 A	LPDDR4 DQ12 A	DDR3 DQ12	LPDDR3 DQ21
LPDDR4_D13_A	DDR DQ13 A	1F2	DDR DQ13 A	DDR4 DQ13 A	LPDDR4 DQ13 A	DDR3 DQ13	LPDDR3 DQ20
LPDDR4_D14_A	DDR DQ14 A	1F1	DDR DQ14 A	DDR4 DQ14 A	LPDDR4 DQ14 A	DDR3 DQ14	LPDDR3 DQ19
LPDDR4_D15_A	DDR DQ15 A	1G2	DDR DQ15 A	DDR4 DQ15 A	LPDDR4 DQ15 A	DDR3 DQ15	LPDDR3 DQ18
LPDDR4_DM1_A	DDR DM1 A	1G1	DDR DM1 A	DDR4 DM1 A	LPDDR4_DM1_A	DDR3 DM1	LPDDR3 DM3
LPDDR4_DQS1P_A	DDR DQS1P A	N1	DDR DQS1P A	DDR4 DQSL_P A	LPDDR4_DQS1P_A	DDR3 DQS1P	LPDDR3 DQS3P
LPDDR4_DQS1N_A	DDR DQS1N A	N2	DDR DQS1N A	DDR4 DQSL_N A	LPDDR4_DQS1N_A	DDR3 DQS1N	LPDDR3 DQS3N
LPDDR4_D0_B	DDR DQ0 B	B12	DDR DQ0 B	DDR4 DQ0 B	LPDDR4 DQ0 B	DDR3 DQ16	LPDDR3 DQ1
LPDDR4_D1_B	DDR DQ1 B	B10	DDR DQ1 B	DDR4 DQ1 B	LPDDR4 DQ1 B	DDR3 DQ17	LPDDR3 DQ2
LPDDR4_D2_B	DDR DQ2 B	1A8	DDR DQ2 B	DDR4 DQ2 B	LPDDR4 DQ2 B	DDR3 DQ18	LPDDR3 DQ3
LPDDR4_D3_B	DDR DQ3 B	1A7	DDR DQ3 B	DDR4 DQ3 B	LPDDR4 DQ3 B	DDR3 DQ19	LPDDR3 DQ4
LPDDR4_D4_B	DDR DQ4 B	B13	DDR DQ4 B	DDR4 DQ4 B	LPDDR4 DQ4 B	DDR3 DQ20	LPDDR3 DQ5
LPDDR4_D5_B	DDR DQ5 B	1A10	DDR DQ5 B	DDR4 DQ5 B	LPDDR4 DQ5 B	DDR3 DQ21	LPDDR3 DQ6
LPDDR4_D6_B	DDR DQ6 B	1B9	DDR DQ6 B	DDR4 DQ6 B	LPDDR4 DQ6 B	DDR3 DQ22	LPDDR3 DQ7
LPDDR4_D7_B	DDR DQ7 B	1A9	DDR DQ7 B	DDR4 DQ7 B	LPDDR4 DQ7 B	DDR3 DQ23	LPDDR3 DQ8
LPDDR4_DM0_B	DDR DM0 B	1B8	DDR DM0 B	DDR4 DM0 B	LPDDR4_DM0_B	DDR3 DM2	LPDDR3 DM0
LPDDR4_DQS0P_B	DDR DQS0P B	BA13	DDR DQS0P B	DDR4 DQSL_P B	LPDDR4_DQS0P_B	DDR3 DQS2P	LPDDR3 DQS0P
LPDDR4_DQS0N_B	DDR DQS0N B	BA12	DDR DQS0N B	DDR4 DQSL_N B	LPDDR4_DQS0N_B	DDR3 DQS2N	LPDDR3 DQS0N
LPDDR4_D8_B	DDR DQ8 B	B19	DDR DQ8 B	DDR4 DQ8 B	LPDDR4 DQ8 B	DDR3 DQ24	LPDDR3 DQ18
LPDDR4_D9_B	DDR DQ9 B	A19	DDR DQ9 B	DDR4 DQ9 B	LPDDR4 DQ9 B	DDR3 DQ25	LPDDR3 DQ19
LPDDR4_D10_B	DDR DQ10 B	A20	DDR DQ10 B	DDR4 DQ10 B	LPDDR4 DQ10 B	DDR3 DQ26	LPDDR3 DQ20
LPDDR4_D11_B	DDR DQ11 B	B20	DDR DQ11 B	DDR4 DQ11 B	LPDDR4 DQ11 B	DDR3 DQ27	LPDDR3 DQ21
LPDDR4_D12_B	DDR DQ12 B	A15	DDR DQ12 B	DDR4 DQ12 B	LPDDR4 DQ12 B	DDR3 DQ28	LPDDR3 DQ22
LPDDR4_D13_B	DDR DQ13 B	B15	DDR DQ13 B	DDR4 DQ13 B	LPDDR4 DQ13 B	DDR3 DQ29	LPDDR3 DQ23
LPDDR4_D14_B	DDR DQ14 B	1C10	DDR DQ14 B	DDR4 DQ14 B	LPDDR4 DQ14 B	DDR3 DQ30	LPDDR3 DQ24
LPDDR4_D15_B	DDR DQ15 B	B16	DDR DQ15 B	DDR4 DQ15 B	LPDDR4 DQ15 B	DDR3 DQ31	LPDDR3 DQ25
LPDDR4_DM1_B	DDR DM1 B	1A11	DDR DM1 B	DDR4 DML_B	LPDDR4_DM1_B	DDR3 DM3	LPDDR3 DM2
LPDDR4_DQS1P_B	DDR DQS1P B	BA17	DDR DQS1P B	DDR4 DQSL_P B	LPDDR4_DQS1P_B	DDR3 DQS3P	LPDDR3 DQS2P
LPDDR4_DQS1N_B	DDR DQS1N B	BA17	DDR DQS1N B	DDR4 DQSL_N B	LPDDR4_DQS1N_B	DDR3 DQS3N	LPDDR3 DQS2N

DDR4	LPDDR4	DDR3	LPDDR3	
DDR4 A0	LPDDR4 CLKP_B	DDR3 A9	---	AC0
DDR4 A1	---	DDR3 A2	---	AC1
DDR4 A2	LPDDR4 A1_A	DDR3 A4	LPDDR3 A6	AC2
DDR4 A3	LPDDR4 CKE1_A	DDR3 A3	---	AC3
DDR4 A4	LPDDR4 A3_B	DDR3 BA1	LPDDR3 A3	AC4
DDR4 A5	LPDDR4 A5_B	DDR3 A11	LPDDR3 A2	AC5
DDR4 A6	LPDDR4 A1_B	DDR3 A13	LPDDR3 A1	AC6
DDR4 A7	LPDDR4 ODTP CA_B	DDR3 A8	---	AC7
DDR4 A8	LPDDR4 ODTP CA_A	DDR3 A6	LPDDR3 A9	AC8
DDR4 A9	LPDDR4 CLKN_B	DDR3 A5	---	AC9
DDR4 A10	LPDDR4 CKE0_B	DDR3 A10	---	AC10
DDR4 A11	LPDDR4 A0_A	DDR3 A7	LPDDR3 A8	AC11
DDR4 A12	LPDDR4 A3_A	DDR3 BA2	---	AC12
DDR4 A13	LPDDR4 A0_B	DDR3 A14	LPDDR3 A0	AC13
DDR4 A14 WEH	LPDDR4 A4_A	DDR3 A15	LPDDR3 A5	AC14
DDR4 A15 CASB	LPDDR4 A2_A	DDR3 A0	---	AC15
DDR4 A16 RASB	LPDDR4 A5_A	DDR3 RASB	LPDDR3 A7	AC16
DDR4 ACH1	LPDDR4 CKE1_B	DDR3 CASB	---	AC17
DDR4 BA0	LPDDR4 A2_B	DDR3 A1	---	AC18
DDR4 BA1	LPDDR4 A4_B	DDR3 A12	LPDDR3 A4	AC19
DDR4 BA8	LPDDR4 ODTP CA_B	DDR3 WEH	---	AC20
DDR4 BGI	LPDDR4 ODTP CA_A	DDR3 BA0	---	AC21
DDR4 CE1	LPDDR4 CKE0_A	DDR3 CE1	LPDDR3 CE1	AC22
DDR4 CLKP	LPDDR4 CLKP_A	DDR3 CLKP	LPDDR3 CLKP	AC23
DDR4 CLKN	LPDDR4 CLKN_A	DDR3 CLKN	LPDDR3 CLKN	AC24
DDR4 CS0n	LPDDR4 CS0n_A	DDR3 CS0n	LPDDR3 CS0n	AC25
DDR4 CS1n	LPDDR4 CS1n_A	DDR3 CS1n	LPDDR3 CS1n	AC26
DDR4 CS10	LPDDR4 CS1n_B	DDR3 CS10	LPDDR3 CS1n	AC27
DDR4 CS11	LPDDR4 CS0n_B	DDR3 CS0n	LPDDR3 CS0n	AC28
DDR4 RESETn	LPDDR4 RESETn	DDR3 RESETn	---	AC29

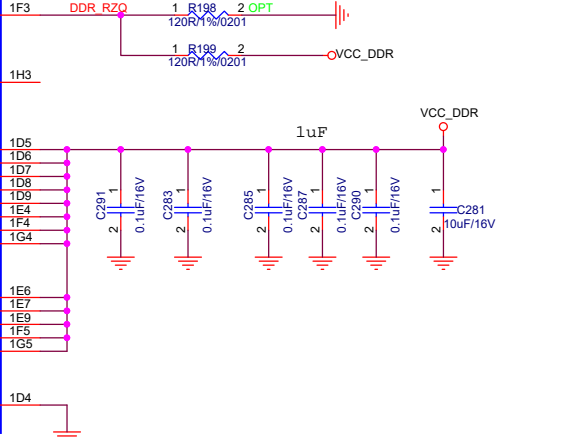
Note: Sequences can not be swap

	VDDQ	VDDQL
DDR3L	1.35V	1.35V
DDR3	1.50V	1.50V
DDR4	1.20V	1.20V
LPDDR3	1.20V	1.20V
LPDDR4	1.10V	1.10V
LPDDR4X	1.10V	0.60V

Note:  
Except DDR3, other DQ sequences  
can not be swap



Note:  
When use LPDDR4/LPDDR4X R1101=120R, R1100=DNP;  
When use DDR4/DDR3/LPDDR3 R1101=DNP, R1100=120R



RK3566

U12G

**OSC**

XOUT24M AD38  
XIN24M AD37

Operating Voltage = 1.8V Only (PMUPLL\_AVDD\_1V8)

**PMU PLL**

PMUPLL\_AVDD\_0V9  
PMUPLL\_AVDD\_1V8  
PMUPLL\_AVSS

**SYS PLL**

SYSPLL\_AVDD\_0V9  
SYSPLL\_AVDD\_1V8  
SYSPLL\_AVSS

**PMUI01 Domain**

Operating Voltage=3.3V Only

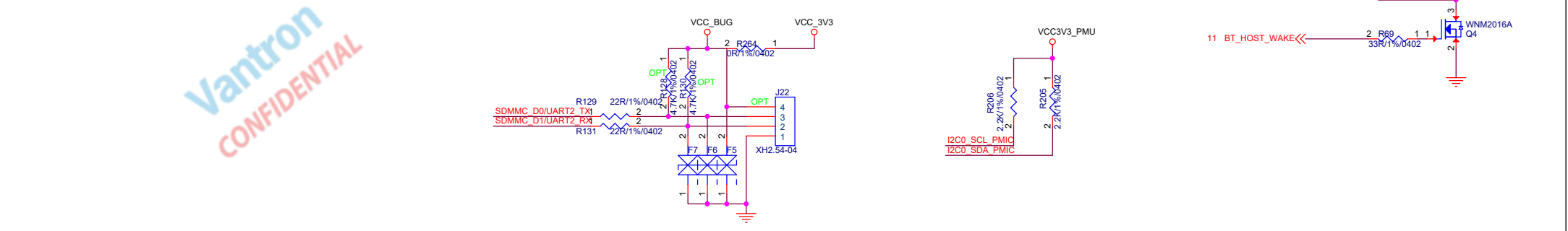
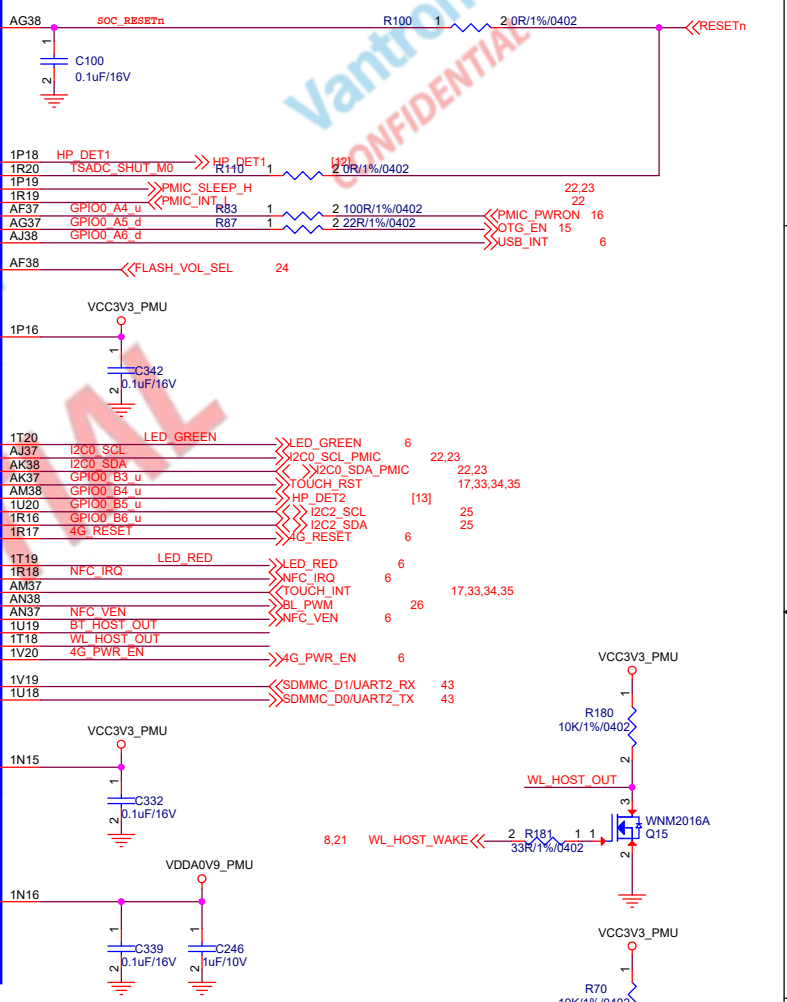
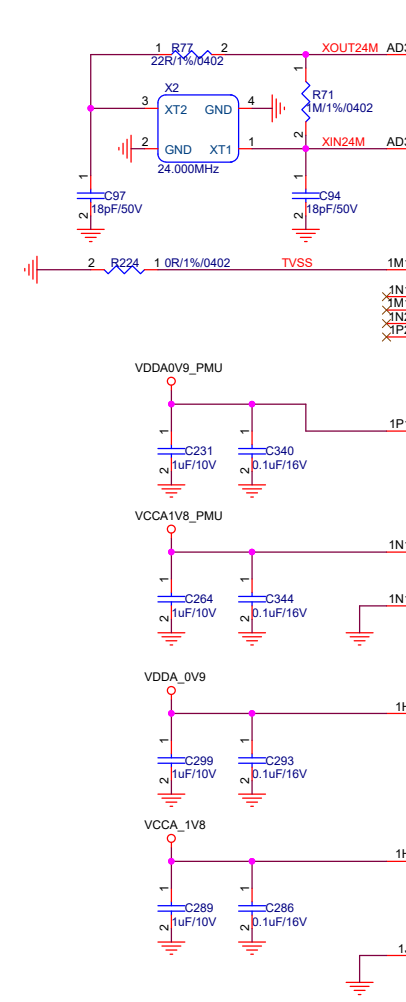
**PMUI02 Domain**

Operating Voltage=1.8V/3.3V

**PMUI01/2/OSC Domain Logic Power**

Operating Voltage=0.9V

RK3566



U12I

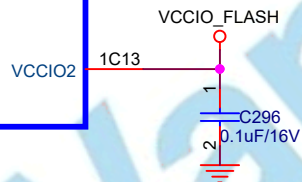
### VCCIO2 Domain

Operating Voltage=1.8V/3.3V

EMMC_D0	/ FLASH_D0	/ GPIO1_B4_u	A32	eMMC D0/FLASH D0/	<<>>	eMMC_D0/FLASH_D0	27,28
EMMC_D1	/ FLASH_D1	/ GPIO1_B5_u	B27	eMMC D1/FLASH D1/	<<>>	eMMC_D1/FLASH_D1	27,28
EMMC_D2	/ FLASH_D2	/ GPIO1_B6_u	B32	eMMC D2/FLASH D2/	<<>>	eMMC_D2/FLASH_D2	27,28
EMMC_D3	/ FLASH_D3	/ GPIO1_B7_u	B29	eMMC D3/FLASH D3/	<<>>	eMMC_D3/FLASH_D3	27,28
EMMC_D4	/ FLASH_D4	/ GPIO1_C0_u	B33	eMMC D4/FLASH D4/	<<>>	eMMC_D4/FLASH_D4	27,28
EMMC_D5	/ FLASH_D5	/ GPIO1_C1_u	A30	eMMC D5/FLASH D5/	<<>>	eMMC_D5/FLASH_D5	27,28
EMMC_D6	/ FLASH_D6	/ GPIO1_C2_u	B30	eMMC D6/FLASH D6/	<<>>	eMMC_D6/FLASH_D6	27,28
EMMC_D7	/ FLASH_D7	/ GPIO1_C3_u	A33	eMMC D7/FLASH D7/	<<>>	eMMC_D7/FLASH_D7	27,28
EMMC_CMD	/ FLASH_WRn	/ GPIO1_C4_u	A27	eMMC_CMD/FLASH_WRn/	<<>>	eMMC_CMD/FLASH_WRn	27,28
EMMC_CLKOUT	/ FLASH_DQS	/ GPIO1_C5_d	A29	eMMC_CLKOUT/FLASH_DQS/	<<>>	eMMC_CLKOUT/FLASH_DQS	27,28
EMMC_DATA_STROBE	/ FSPI_CS1n	/ FLASH_CLE	1A16		<<>>	eMMC_DATA_STROBE/FLASH_CLE	27,28
EMMC_RSTn	/ FSPI_D2	/ FLASH_WPn	1B16		<<>>	eMMC_RSTn/FSPI_D2/FLASH_WPn	27,28,30
	FSPI_CLK	/ FLASH_ALE	1A15		<<>>		
	FSPI_D0	/ FLASH_RDY	1A17		<<>>		
	FSPI_D1	/ FLASH_RDn	1A18		<<>>		
	FSPI_CS0n	/ FLASH_CS0n	1B17		<<>>		
	FSPI_D3	/ FLASH_CS1n	1C15		<<>>	FP_RESET	6

Default is determined by Pin  
FLASH\_VOL\_SEL/GPIO0\_A7\_u:  
L:VCCIO2 must supply 3.3V  
H:VCCIO2 must supply 1.8V

RK3566



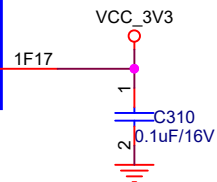
U12J

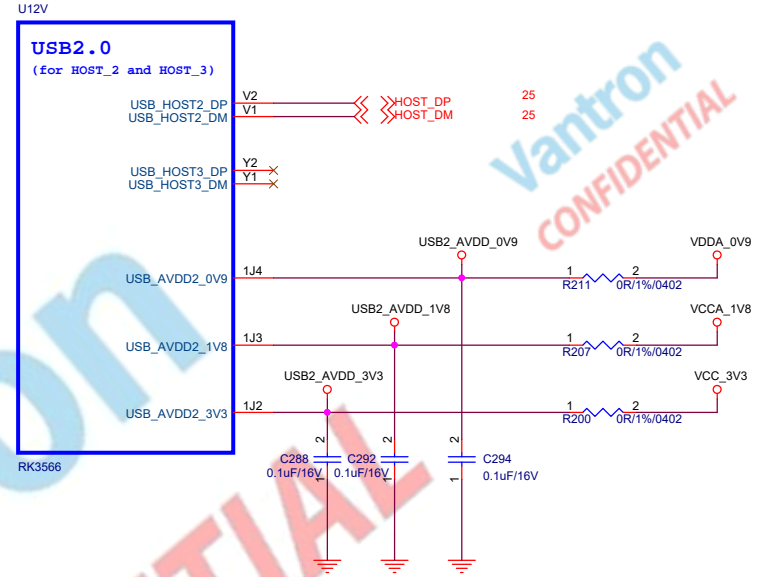
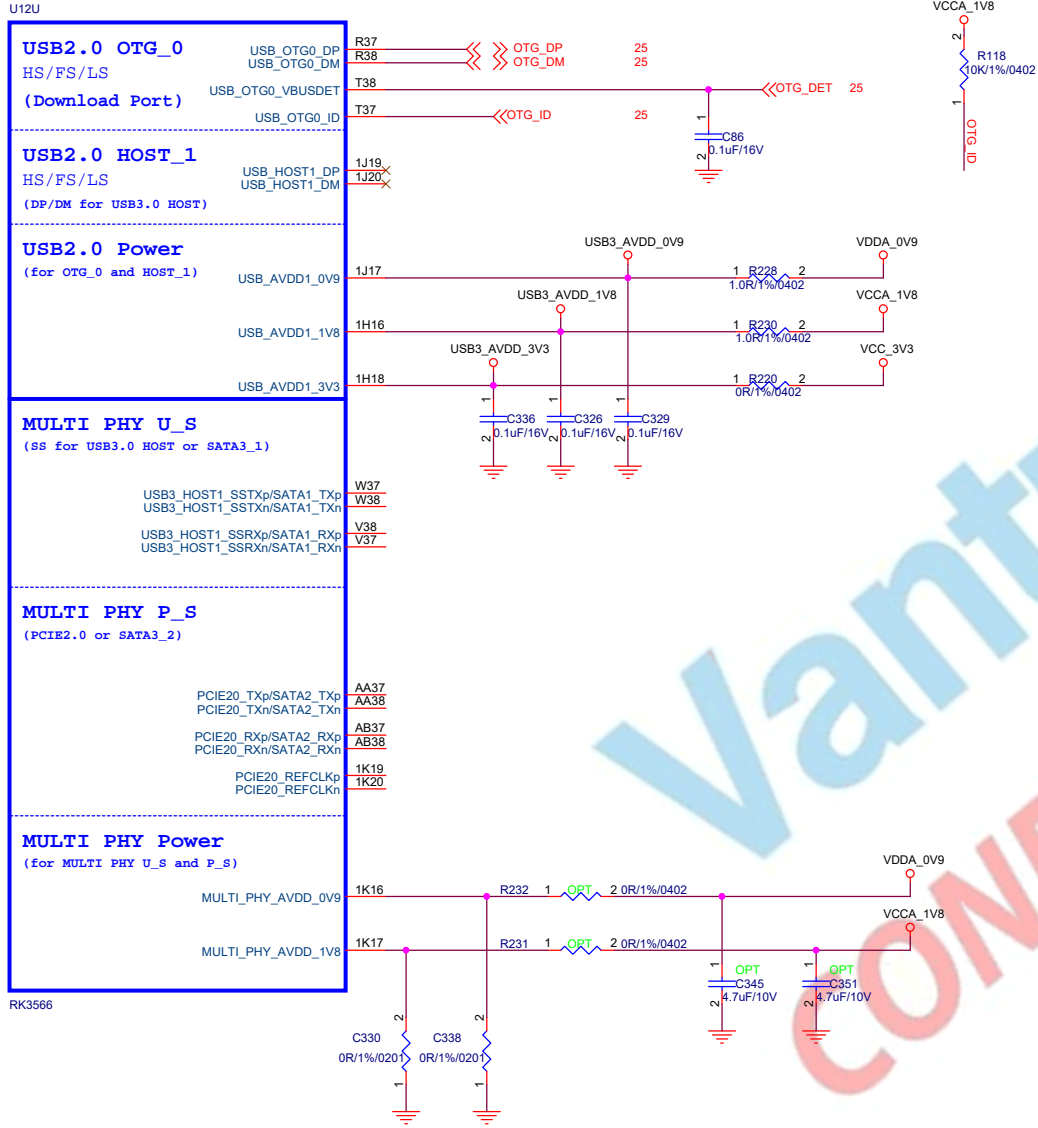
### VCCIO3 Domain

Operating Voltage=1.8V/3.3V

PWM8_M1	/ SDMMC0_D0	/ UART2_TX_M1	/ UART6_TX_M1	/ GPIO1_D5_u	1E20	WP	<<>>	WP	6
PWM9_M1	/ SDMMC0_D1	/ UART2_RX_M1	/ UART6_RX_M1	/ GPIO1_D6_u	1F19	INT_Mag	<<>>	INT_Mag	6
	SDMMC0_D2	/ ARM_JTAG_TCK	/ UART5_CTSn_M0	/ GPIO1_D7_u	1D20		<<>>		
	SDMMC0_D3	/ ARM_JTAG_TMS	/ UART5_RTSn_M0	/ GPIO2_A0_u	1F18		<<>>		
PWM10_M1	/ SDMMC0_CMD	/ UART5_RX_M0	/ GPIO2_A1_u	1E19			<<>>		
	SDMMC0_CLK	/ TEST_CLKOUT	/ UART5_TX_M0	/ GPIO2_A2_d	G38	WPC_INT	<<>>	WPC_INT	6

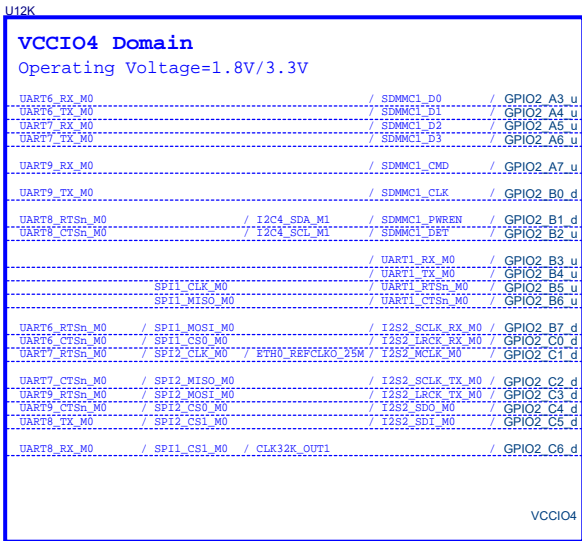
RK3566



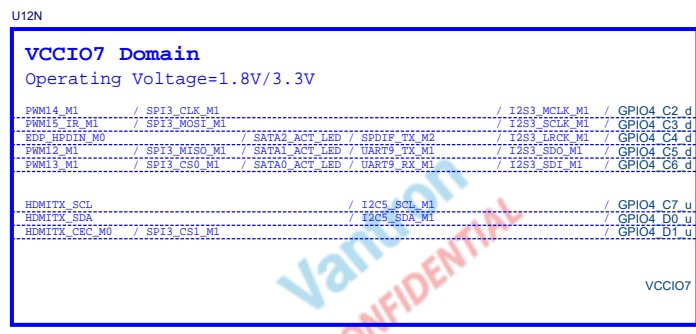
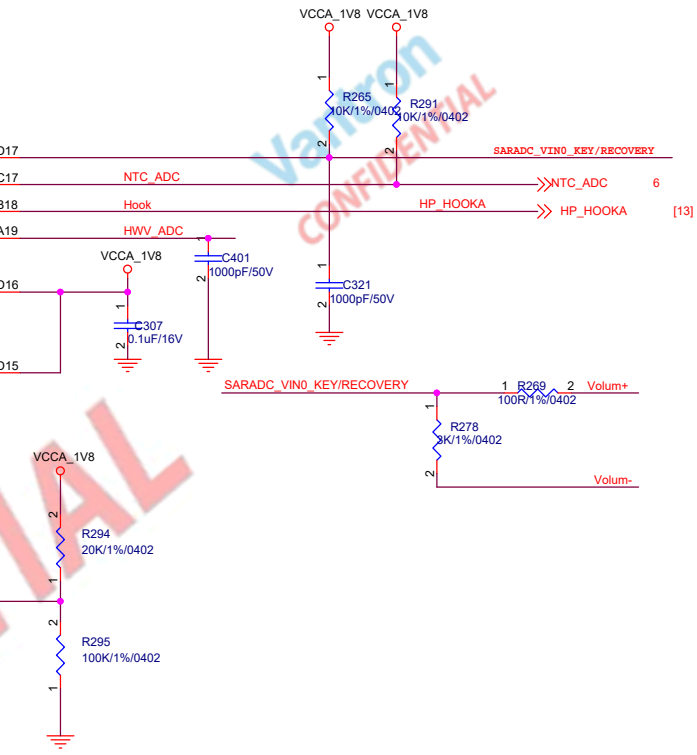
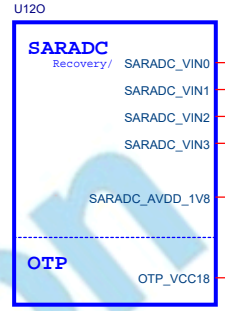
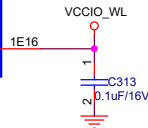


Vantron  
 CONFIDENTIAL

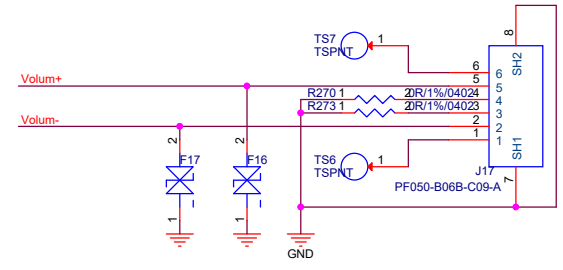
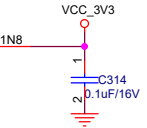
Vantron  
 CONFIDENTIAL



RK3566  
vt\_bga\_15p5x14p4\_p4-p65mm\_565p

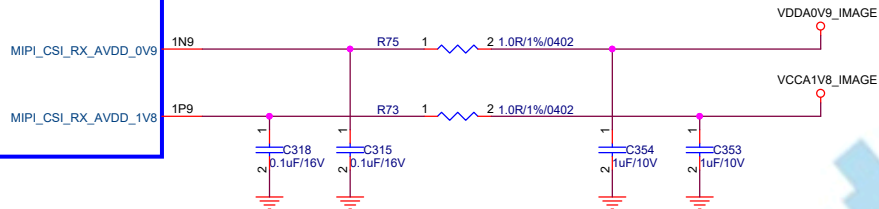
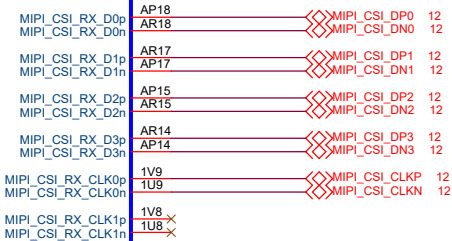


RK3566



U12P

### MIPI CSI RX



RK3566

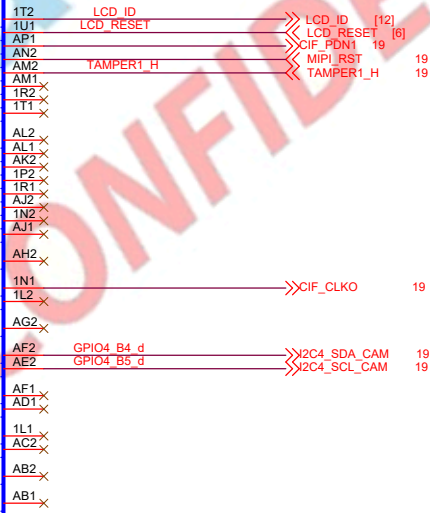
Vantron  
CONFIDENTIAL

U12M

### VCCIO6 Domain

Operating Voltage=1.8V/3.3V

CIF_D0	/ EBC_SDD00 / SDMMC2_D0_M0 / I2S1_MCLK_M1 / VOP_BT656_D0_M1 / GPIO3_C6_d
CIF_D1	/ EBC_SDD01 / SDMMC2_D1_M0 / I2S1_SCLK_TX_M1 / VOP_BT656_D1_M1 / GPIO3_C7_d
CIF_D2	/ EBC_SDD02 / SDMMC2_D2_M0 / I2S1_LRCK_TX_M1 / VOP_BT656_D2_M1 / GPIO3_D0_d
CIF_D3	/ EBC_SDD03 / SDMMC2_D3_M0 / I2S1_SDO0_M1 / VOP_BT656_D3_M1 / GPIO3_D1_d
CIF_D4	/ EBC_SDD04 / SDMMC2_CMD_M0 / I2S1_SDI0_M1 / VOP_BT656_D4_M1 / GPIO3_D2_d
CIF_D5	/ EBC_SDD05 / SDMMC2_CLK_M0 / I2S1_SDI1_M1 / VOP_BT656_D5_M1 / GPIO3_D3_d
CIF_D6	/ EBC_SDD06 / SDMMC2_DET_M0 / I2S1_SDI2_M1 / VOP_BT656_D6_M1 / GPIO3_D4_d
CIF_D7	/ EBC_SDD07 / SDMMC2_PWREN_M0 / I2S1_SDI3_M1 / VOP_BT656_D7_M1 / GPIO3_D5_d
CIF_D8	/ EBC_SDD08 / GMAC1_TXD2_M1 / UART1_TX_M1 / PDM_CLK0_M1 / GPIO3_D6_d
CIF_D9	/ EBC_SDD09 / GMAC1_TXD3_M1 / UART1_RX_M1 / PDM_SDI0_M1 / GPIO3_D7_d
CIF_D10	/ EBC_SDD010 / GMAC1_TXCR_M1 / UART1_TX_M1 / PDM_CLK1_M1 / GPIO4_A0_d
CIF_D11	/ EBC_SDD011 / GMAC1_RXD2_M1 / UART1_TX_M1 / PDM_SDI1_M1 / GPIO4_A1_d
CIF_D12	/ EBC_SDD012 / GMAC1_RXD3_M1 / UART1_TX_M1 / PDM_SDI2_M1 / GPIO4_A2_d
CIF_D13	/ EBC_SDD013 / GMAC1_RXCLK_M1 / UART1_RX_M1 / PDM_SDI3_M1 / GPIO4_A3_d
CIF_D14	/ EBC_SDD014 / GMAC1_TXD0_M1 / UART1_TX_M1 / I2S2_LRCK_TX_M1 / GPIO4_A4_d
CIF_D15	/ EBC_SDD015 / GMAC1_TXD1_M1 / UART1_RX_M1 / I2S2_LRCK_RX_M1 / GPIO4_A5_d
ISP_FLASHTRIGOUT	/ EBC_SDCE0 / GMAC1_TXEN_M1 / SPI3_CS0_M0 / I2S1_SCLK_RX_M1 / GPIO4_A6_d
CAM_CLKROUT0	/ EBC_SDCE1 / GMAC1_RXD0_M1 / SPI3_CS1_M0 / I2S1_LRCK_RX_M1 / GPIO4_A7_d
CAM_CLKROUT1	/ EBC_SDCE2 / GMAC1_RXD1_M1 / SPI3_MISO_M0 / I2S1_SDO1_M1 / GPIO4_B0_d
ISP_PRELIGHT_TRIG	/ EBC_SDCE3 / GMAC1_RXDV_CRS_M1 / I2S1_SDO2_M1 / GPIO4_B1_d
I2C4_SDA_M0	/ EBC_VCOM / GMAC1_RXER_M1 / SPI3_MOSI_M0 / I2S2_SDI_M1 / GPIO4_B2_d
I2C4_SCL_M0	/ EBC_GDOE / ETH1_REFCLK0_25M_M1 / SPI3_CLK_M0 / I2S2_SDO_M1 / GPIO4_B3_d
ISP_FLASH_TRIGIN	/ I2C2_SDA_M1 / EBC_GDSP / GMAC1_RXD0_M1 / VOP_BT656_CLK_M1 / GPIO4_B4_d
I2C2_SCL_M1	/ EBC_SDSH / GMAC1_RXD1_M1 / I2S1_SDO3_M1 / GPIO4_B5_d
CIF_HREF	/ EBC_SDL0 / GMAC1_MDC_M1 / UART1_RTSr_M1 / I2S2_MCLK_M1 / GPIO4_B6_d
CIF_VSYNC	/ EBC_SDOE / GMAC1_MDIO_M1 / UART1_TX_M1 / I2S2_SCLK_TX_M1 / GPIO4_B7_d
PWM11_TR_M1	/ CIF_CLKOUT / EBC_GDCLK / GMAC1_TXD0_M1 / UART1_TX_M1 / GPIO4_C0_d
CIF_CLKIN	/ EBC_SDCIK / GMAC1_MCLKINOUT_M1 / UART1_CTSr_M1 / I2S2_SCLK_RX_M1 / GPIO4_C1_d



RK3566

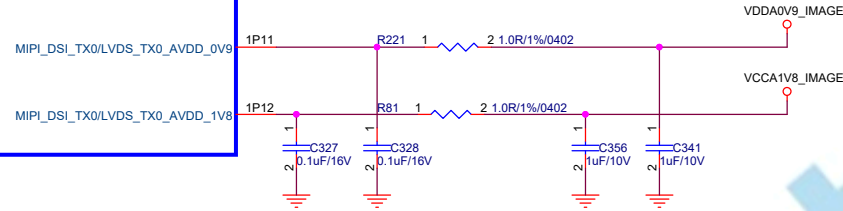


I2C4\_SDA\_CAM  
I2C4\_SCL\_CAM

U12R

### MIPI DSI TX0/LVDS TX0

MIPI_DSI_TX0_D0p/LVDS_TX0_D0p	AP30	MIPI_TX_D0P	MIPI_TX_D0P [11]
MIPI_DSI_TX0_D0n/LVDS_TX0_D0n	AR30	MIPI_TX_D0N	MIPI_TX_D0N [11]
MIPI_DSI_TX0_D1p/LVDS_TX0_D1p	AR29	MIPI_TX_D1P	MIPI_TX_D1P [11]
MIPI_DSI_TX0_D1n/LVDS_TX0_D1n	AP29	MIPI_TX_D1N	MIPI_TX_D1N [11]
MIPI_DSI_TX0_D2p/LVDS_TX0_D2p	AR27	MIPI_TX_D2P	MIPI_TX_D2P [11]
MIPI_DSI_TX0_D2n/LVDS_TX0_D2n	AR27	MIPI_TX_D2N	MIPI_TX_D2N [11]
MIPI_DSI_TX0_D3p/LVDS_TX0_D3p	AR26	MIPI_TX_D3P	MIPI_TX_D3P [11]
MIPI_DSI_TX0_D3n/LVDS_TX0_D3n	AP26	MIPI_TX_D3N	MIPI_TX_D3N [11]
MIPI_DSI_TX0_CLKp/LVDS_TX0_CLKp	1V16	MIPI_TX_CLKP	MIPI_TX_CLKP [11]
MIPI_DSI_TX0_CLKn/LVDS_TX0_CLKn	1V16	MIPI_TX_CLKN	MIPI_TX_CLKN [11]

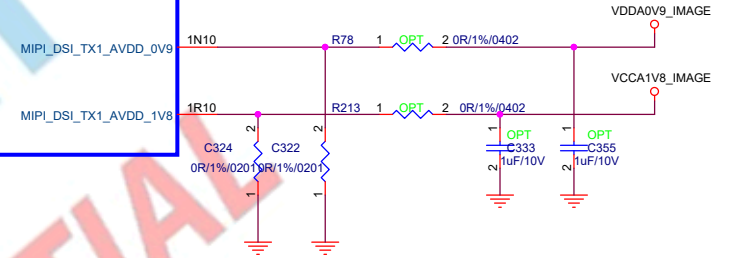


RK3566

U12S

### MIPI DSI TX1

MIPI_DSI_TX1_D0p	AP24	MIPI_DSI_TX1_D0p	MIPI_DSI_TX1_D0p
MIPI_DSI_TX1_D0n	AR24	MIPI_DSI_TX1_D0n	MIPI_DSI_TX1_D0n
MIPI_DSI_TX1_D1p	AR23	MIPI_DSI_TX1_D1p	MIPI_DSI_TX1_D1p
MIPI_DSI_TX1_D1n	AP23	MIPI_DSI_TX1_D1n	MIPI_DSI_TX1_D1n
MIPI_DSI_TX1_D2p	AR21	MIPI_DSI_TX1_D2p	MIPI_DSI_TX1_D2p
MIPI_DSI_TX1_D2n	AR21	MIPI_DSI_TX1_D2n	MIPI_DSI_TX1_D2n
MIPI_DSI_TX1_D3p	AR20	MIPI_DSI_TX1_D3p	MIPI_DSI_TX1_D3p
MIPI_DSI_TX1_D3n	AP20	MIPI_DSI_TX1_D3n	MIPI_DSI_TX1_D3n
MIPI_DSI_TX1_CLKp	1V11	MIPI_DSI_TX1_CLKp	MIPI_DSI_TX1_CLKp
MIPI_DSI_TX1_CLKn	1V11	MIPI_DSI_TX1_CLKn	MIPI_DSI_TX1_CLKn

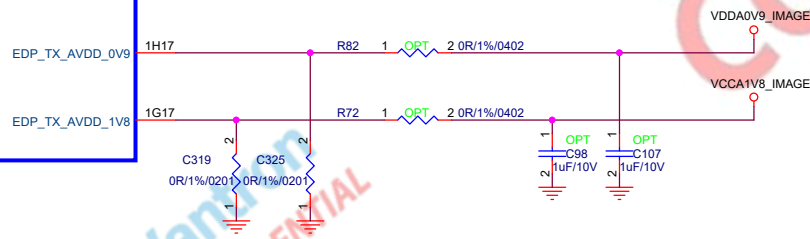


RK3566

U12T

### eDP\_TX

EDP_TX_D0p	J37	EDP_TX_D0p	EDP_TX_D0p
EDP_TX_D0n	J38	EDP_TX_D0n	EDP_TX_D0n
EDP_TX_D1p	K38	EDP_TX_D1p	EDP_TX_D1p
EDP_TX_D1n	K37	EDP_TX_D1n	EDP_TX_D1n
EDP_TX_D2p	M37	EDP_TX_D2p	EDP_TX_D2p
EDP_TX_D2n	M38	EDP_TX_D2n	EDP_TX_D2n
EDP_TX_D3p	N37	EDP_TX_D3p	EDP_TX_D3p
EDP_TX_D3n	N38	EDP_TX_D3n	EDP_TX_D3n
EDP_TX_AUXp	1H19	EDP_TX_AUXp	EDP_TX_AUXp
EDP_TX_AUXn	1H20	EDP_TX_AUXn	EDP_TX_AUXn

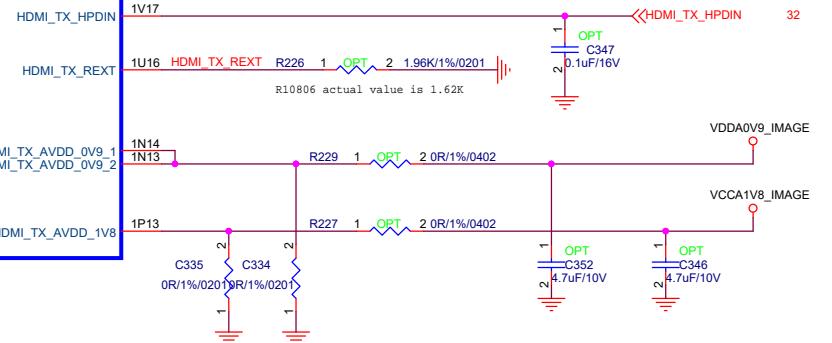


RK3566

U12Q

### HDMI2.0 TX

HDMI_TX_D2p	AP36	HDMI_TX_D2p	HDMI_TX_D2p
HDMI_TX_D2n	AR36	HDMI_TX_D2n	HDMI_TX_D2n
HDMI_TX_D1p	AR35	HDMI_TX_D1p	HDMI_TX_D1p
HDMI_TX_D1n	AP35	HDMI_TX_D1n	HDMI_TX_D1n
HDMI_TX_D0p	AP33	HDMI_TX_D0p	HDMI_TX_D0p
HDMI_TX_D0n	AR33	HDMI_TX_D0n	HDMI_TX_D0n
HDMI_TX_CLKp	AR32	HDMI_TX_CLKp	HDMI_TX_CLKp
HDMI_TX_CLKn	AP32	HDMI_TX_CLKn	HDMI_TX_CLKn



RK3566

Vantron  
CONFIDENTIAL

Vantron  
CONFIDENTIAL



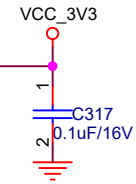
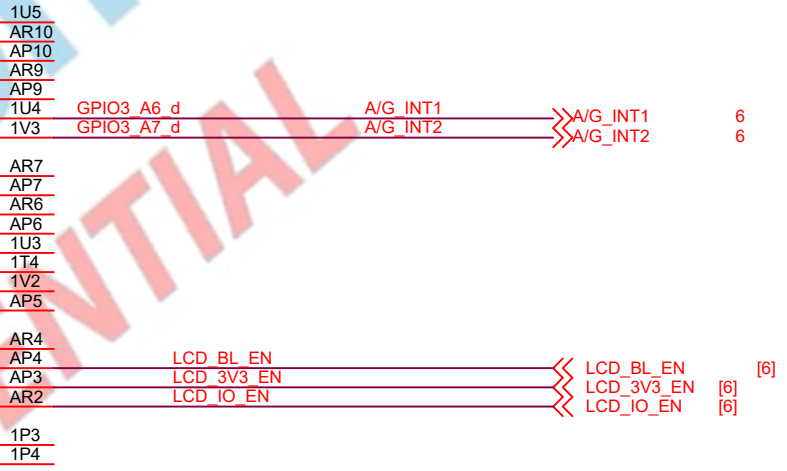
U12L

### VCCIO5 Domain

Operating Voltage=1.8V/3.3V

VOP_BT1120_D0	/ SPI1_CS0_M1			/ SDMMC2_D0_M1	/ GPIO3_A1_d
VOP_BT1120_D1		/ GMAC1_TXD2_M0	/ I2S3_MCLK_M0	/ SDMMC2_D1_M1	/ GPIO3_A2_d
VOP_BT1120_D2		/ GMAC1_TXD3_M0	/ I2S3_SCLK_M0	/ SDMMC2_D2_M1	/ GPIO3_A3_d
VOP_BT1120_D3		/ GMAC1_RXD2_M0	/ I2S3_LRCK_M0	/ SDMMC2_D3_M1	/ GPIO3_A4_d
VOP_BT1120_D4		/ GMAC1_RXD3_M0	/ I2S3_SDO_M0	/ SDMMC2_CMD_M1	/ GPIO3_A5_d
VOP_BT1120_CLK		/ GMAC1_TXCLK_M0	/ I2S3_SDI_M0	/ SDMMC2_CLK_M1	/ GPIO3_A6_d
VOP_BT1120_D5		/ GMAC1_RXCLK_M0		/ SDMMC2_DET_M1	/ GPIO3_A7_d
VOP_BT1120_D6		/ ETH1_REFCLKO_25M_M0		/ SDMMC2_PWREN_M1	/ GPIO3_B0_d
PWM8_M0	/ VOP_BT1120_D7	/ GMAC1_RXD0_M0	/ UART4_RX_M1		/ GPIO3_B1_d
PWM9_M0	/ VOP_BT1120_D8	/ GMAC1_RXD1_M0	/ UART4_TX_M1		/ GPIO3_B2_d
VOP_BT1120_D9	/ I2C5_SCL_M0	/ GMAC1_RXDV_CRS_M0		/ PDM_SDI0_M2	/ GPIO3_B3_d
VOP_BT1120_D10	/ I2C5_SDA_M0	/ GMAC1_RXER_M0		/ PDM_SDI1_M2	/ GPIO3_B4_d
PWM10_M0	/ VOP_BT1120_D11	/ I2C3_SCL_M1	/ GMAC1_TXD0_M0		/ GPIO3_B5_d
PWM11_IR_M0	/ VOP_BT1120_D12	/ I2C3_SDA_M1	/ GMAC1_TXD1_M0		/ GPIO3_B6_d
PWM12_M0		/ GMAC1_TXEN_M0	/ UART3_TX_M1	/ PDM_SDI2_M2	/ GPIO3_B7_d
PWM13_M0		/ GMAC1_MCLKINOUT_M0	/ UART3_RX_M1	/ PDM_SDI3_M2	/ GPIO3_C0_d
VOP_BT1120_D13	/ SPI1_MOSI_M1		/ PCIE20_PERSTn_M1	/ I2S1_SDO2_M2	/ GPIO3_C1_d
VOP_BT1120_D14	/ SPI1_MISO_M1		/ UART5_TX_M1	/ I2S1_SDO3_M2	/ GPIO3_C2_d
VOP_BT1120_D15	/ SPI1_CLK_M1		/ UART5_RX_M1	/ I2S1_SCLK_RX_M2	/ GPIO3_C3_d
PWM14_M0	/ VOP_PWM_M1	/ GMAC1_MDC_M0	/ UART7_TX_M1	/ PDM_CLK1_M2	/ GPIO3_C4_d
PWM15_IR_M0	/ SPDIF_TX_M1	/ GMAC1_MDIO_M0	/ UART7_RX_M1	/ I2S1_LRCK_RX_M2	/ GPIO3_C5_d

VCCIO5\_1  
VCCIO5\_2



RK3566

Vantron  
CONFIDENTIAL

Vantron  
CONFIDENTIAL

U12H

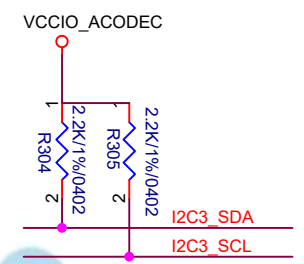
### VCCIO1 Domain

Operating Voltage=1.8V/3.3V

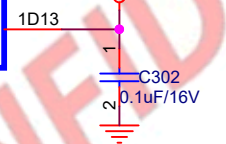
/ I2C3_SDA_M0	/ UART3_RX_M0	/ AUDIOPWM_LOUT_p	/ GPIO1_A0 u	A22	I2C3_SDA	>>>	I2C3_SDA_AUDIO	40
/ I2C3_SCL_M0	/ UART3_TX_M0	/ AUDIOPWM_LOUT_n	/ GPIO1_A1 u	B22	I2C3_SCL	>>>	I2C3_SCL_AUDIO	40
SCR_CLK	/ I2S1_MCLK_M0	/ UART3_RTSn_M0	/ GPIO1_A2 d	A23	I2S0_CLK	>>>	I2S0_CLK	[13]
SCR_IO	/ I2S1_SCLK_TX_M0	/ UART3_CTSn_M0	/ GPIO1_A3 d	B23	R44 1	2 0R/1%/0402	I2S0_SCLK	[13]
	I2S1_SCLK_RX_M0	/ UART4_RX_M0	/ GPIO1_A4 d	1A13	R45 1	2 0R/1%/0402	I2S0_SCLK	[13]
SCR_RST	/ I2S1_LRCK_TX_M0	/ UART4_RTSn_M0	/ GPIO1_A5 d	B24	I2S0_LRCK_TX	>>>	I2S0_LRCK_TX	[13]
	I2S1_LRCK_RX_M0	/ UART4_TX_M0	/ GPIO1_A6 d	1A14	I2S0_LRCK_RX	>>>	I2S0_LRCK_RX	[13]
SCR_DET	/ I2S1_SDO0_M0	/ UART4_CTSn_M0	/ GPIO1_A7 d	B25	I2S0_SDO0	>>>	I2S0_SDO0	[13]
	I2S1_SDO1_M0	/ I2S1_SDI3_M0	/ PDM_SDI3_M0	1B13	Audio_EN	>>>	Audio_EN	[13]
	I2S1_SDO2_M0	/ I2S1_SDI2_M0	/ PDM_SDI2_M0	A26	FM_EN	>>>	FM_EN	[13]
	I2S1_SDO3_M0	/ I2S1_SDI1_M0	/ PDM_SDI1_M0	B26	FM_EN	>>>	FM_EN	[13]
	I2S1_SDI0_M0	/ PDM_SDI0_M0	/ GPIO1_B3 d	1B14	I2S0_SDI	>>>	I2S0_SDI	[13]

VCCIO1

RK3566



VCCIO1



Vantron  
CONFIDENTIAL

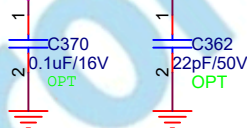
Vantron  
CONFIDENTIAL

>>>eMMC\_D0/FLASH\_D0  
 >>>eMMC\_D1/FLASH\_D1  
 >>>eMMC\_D2/FLASH\_D2  
 >>>eMMC\_D3/FLASH\_D3  
 >>>eMMC\_D4/FLASH\_D4  
 >>>eMMC\_D5/FLASH\_D5  
 >>>eMMC\_D6/FLASH\_D6  
 >>>eMMC\_D7/FLASH\_D7

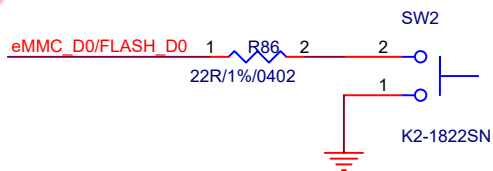
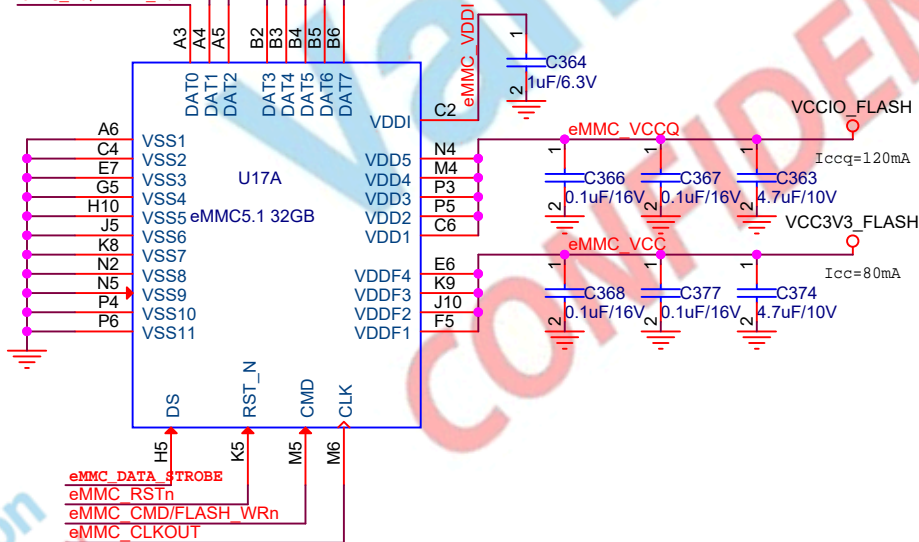
<<<>>>eMMC\_CMD/FLASH\_WRn  
 >>>eMMC\_CLKOUT/FLASH\_DQS  
 <<<>>>eMMC\_DATA\_STROBE/FLASH\_CLE  
 >>>eMMC\_RSTn/FSPI\_D2/FLASH\_WPn

VCCIO\_FLASH 2 R238 1 10K/1%/0402 eMMC\_D0/FLASH\_D0  
 VCCIO\_FLASH 2 R247 1 4.7K/1%/0402 eMMC\_CMD/FLASH\_WRn  
 VCCIO\_FLASH 2 R251 1 10K/1%/0402 eMMC\_CLKOUT  
 VCCIO\_FLASH 2 R254 1 10K/1%/0402 eMMC\_RSTn

eMMC\_DATA\_STROBE/FLASH\_CLE R240 1 2.0R/1%/0402 eMMC\_DATA\_STROBE  
 eMMC\_CLKOUT/FLASH\_DQS R242 1 2.22R/1%/0402 eMMC\_CLKOUT  
 eMMC\_RSTn/FSPI\_D2/FLASH\_WPn R241 1 OPT 2.0R/1%/0402 eMMC\_RSTn



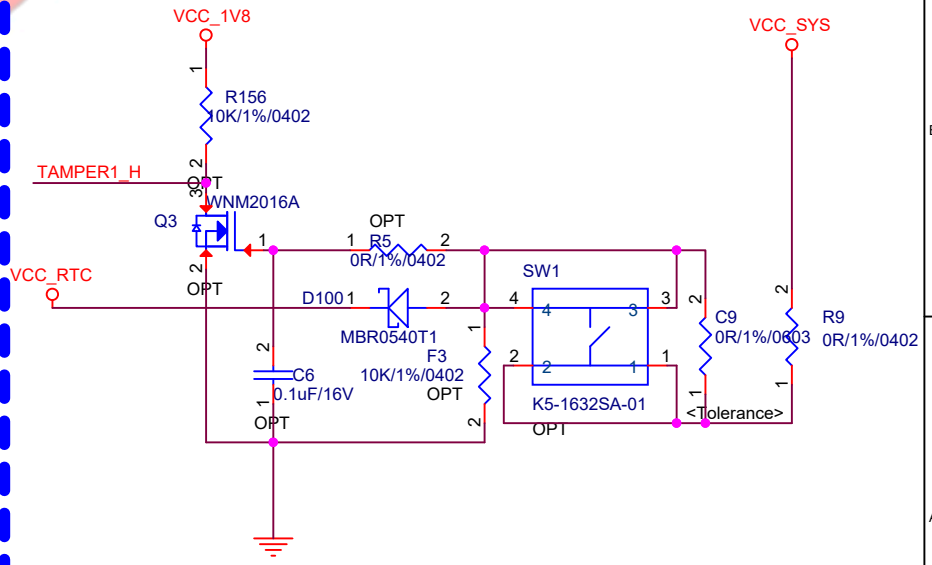
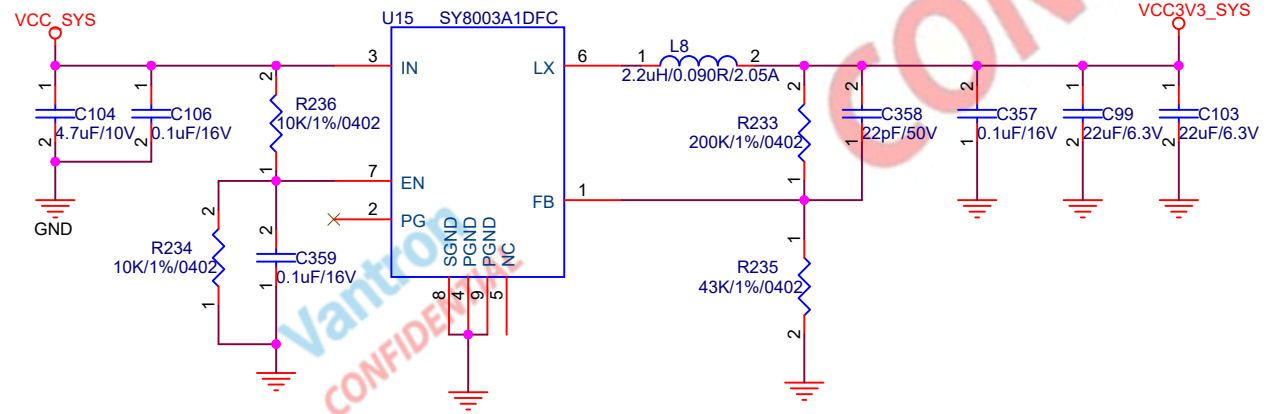
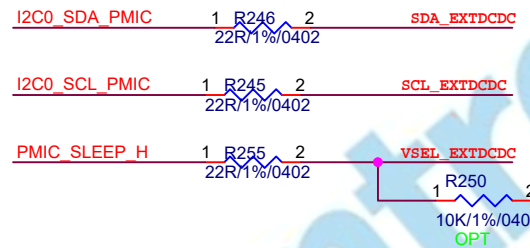
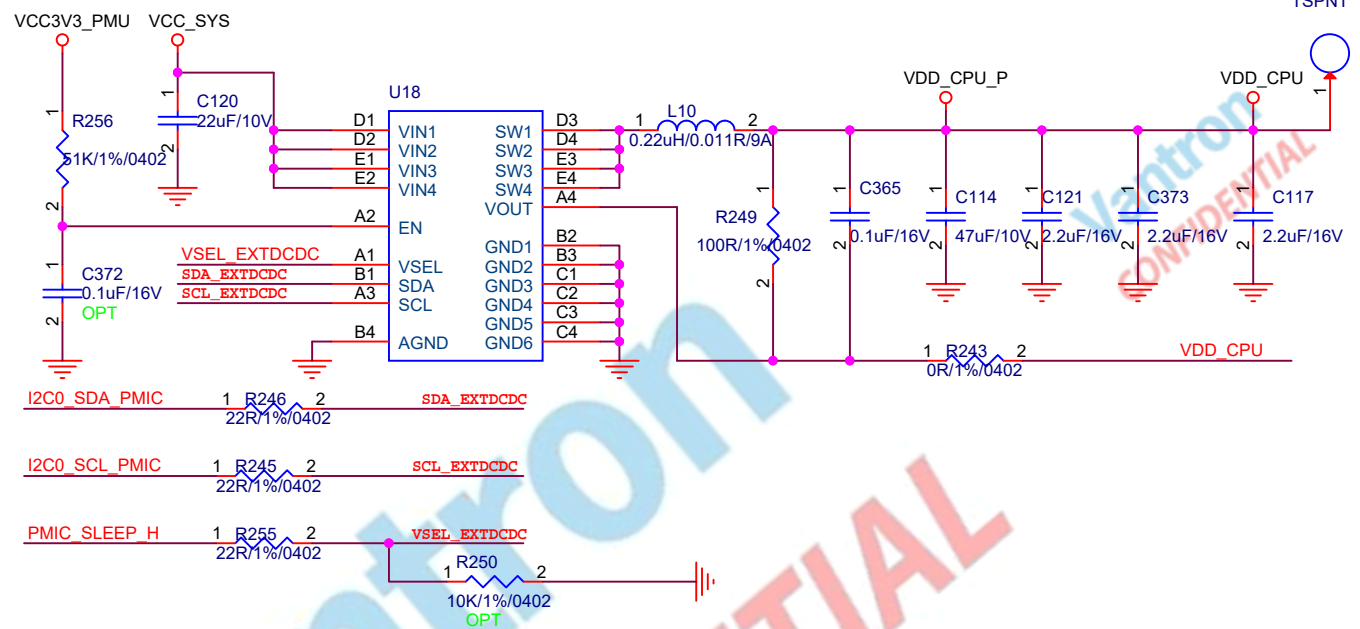
eMMC D7 / FLASH D7  
 eMMC D6 / FLASH D6  
 eMMC D5 / FLASH D5  
 eMMC D4 / FLASH D4  
 eMMC D3 / FLASH D3  
 eMMC D2 / FLASH D2  
 eMMC D1 / FLASH D1  
 eMMC D0 / FLASH D0



U17B		eMMC5.1 32GB	
A1	NC1	NC62	H1
A2	NC2	NC63	H2
A7	NC3	NC64	H3
A8	NC4	NC65	H12
A9	NC5	NC66	H13
A10	NC6	NC67	H14
A11	NC7		J1
A12	NC8	NC68	J2
A13	NC9	NC69	J3
A14	NC10	NC70	J12
		NC71	J13
		NC72	J14
B1	NC11	NC73	K1
B7	NC12		K2
B8	NC13	NC74	K3
B9	NC14	NC75	K6
B10	NC15	NC76	K7
B11	NC16	NC77	K10
B12	NC17	NC78	K12
B13	NC18	NC79	K13
B14	NC19	NC80	K14
		NC81	L1
C1	NC20	NC82	L2
C3	NC21		L3
C5	NC22	NC83	L12
C7	NC23	NC84	L13
C8	NC24	NC85	L14
C9	NC25	NC86	M1
C10	NC26	NC87	M2
C11	NC27	NC88	M3
C12	NC28		M7
C13	NC29	NC89	M8
C14	NC30	NC90	M9
		NC91	M10
D1	NC31	NC92	M11
D2	NC32	NC93	M12
D3	NC33	NC94	M13
D4	NC34	NC95	M14
D12	NC35	NC96	N1
D13	NC36	NC97	N6
D14	NC37	NC98	N7
		NC99	N8
E1	NC38	NC100	N9
E2	NC39	NC101	N10
E3	NC40	NC102	N11
E5	NC41	NC103	N12
E8	NC42	NC104	N13
E9	NC43	NC105	N14
E10	NC44		P1
E12	NC45	NC111	P2
E13	NC46	NC112	P7
E14	NC47	NC113	P8
		NC114	P9
F1	NC48	NC115	P10
F2	NC49	NC116	P11
F3	NC50	NC117	P12
F10	NC51	NC118	P13
F12	NC52	NC119	P14
F13	NC53		
F14	NC54		
G1	NC55		
G2	NC56		
G3	NC57		
G10	NC58		
G12	NC59		
G13	NC60		
G14	NC61		

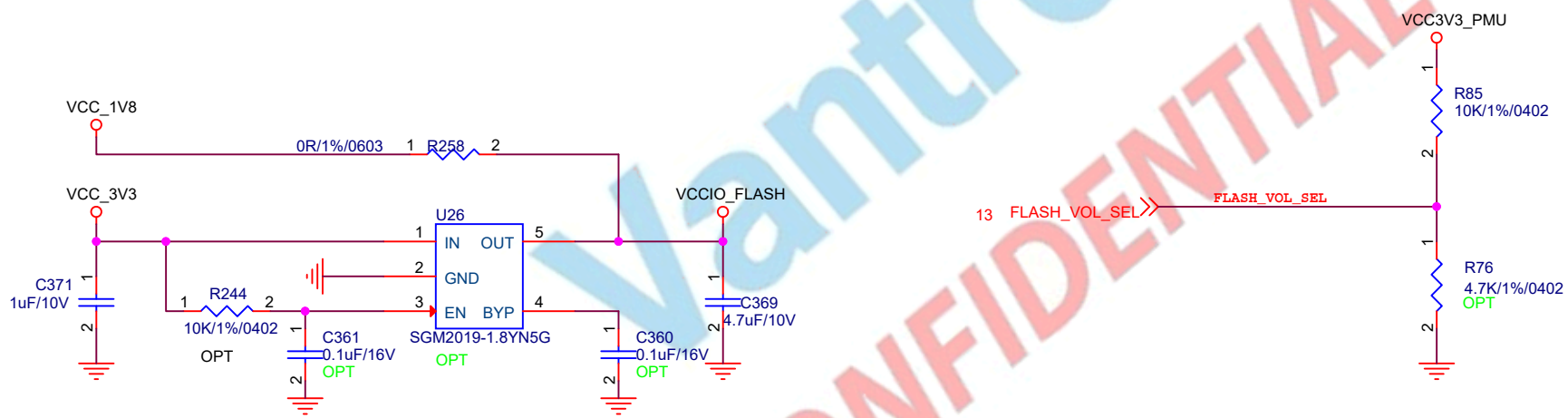


>>I2C0\_SCL\_PMIC 13,22  
 <<I2C0\_SDA\_PMIC 13,22  
 >>PMIC\_SLEEP\_H 13,22  
 >>TAMPER1\_H 13,22



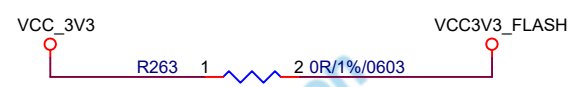
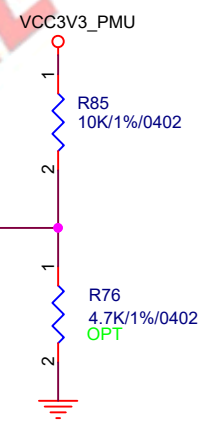
Vantron  
CONFIDENTIAL

Vantron  
CONFIDENTIAL

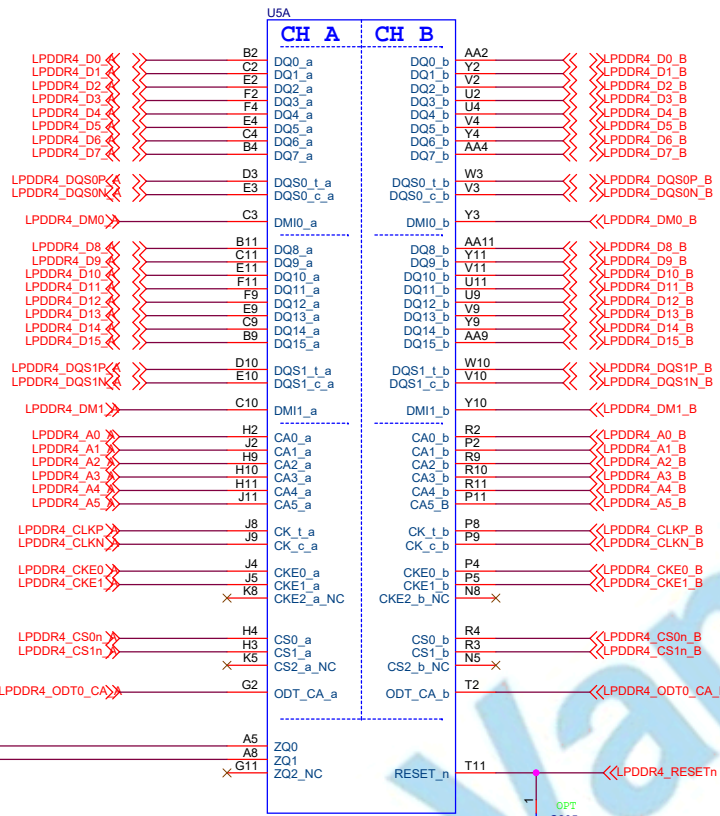


13 FLASH\_VOL\_SEL >>

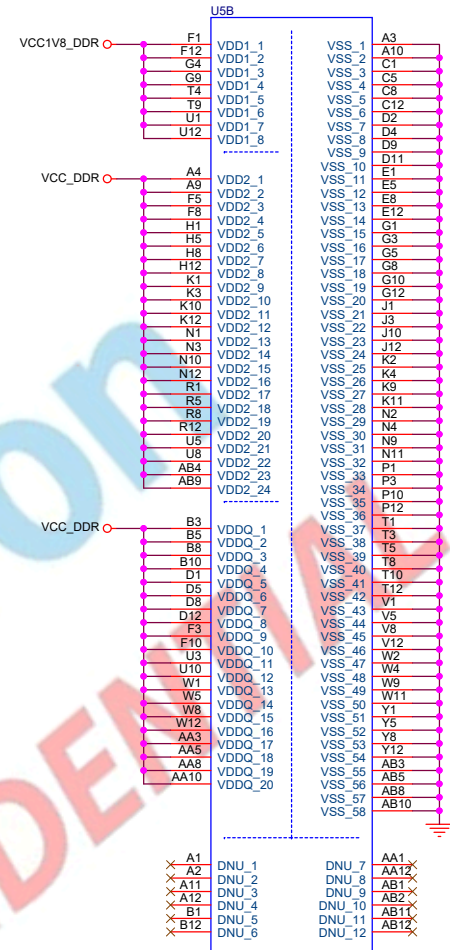
FLASH\_VOL\_SEL



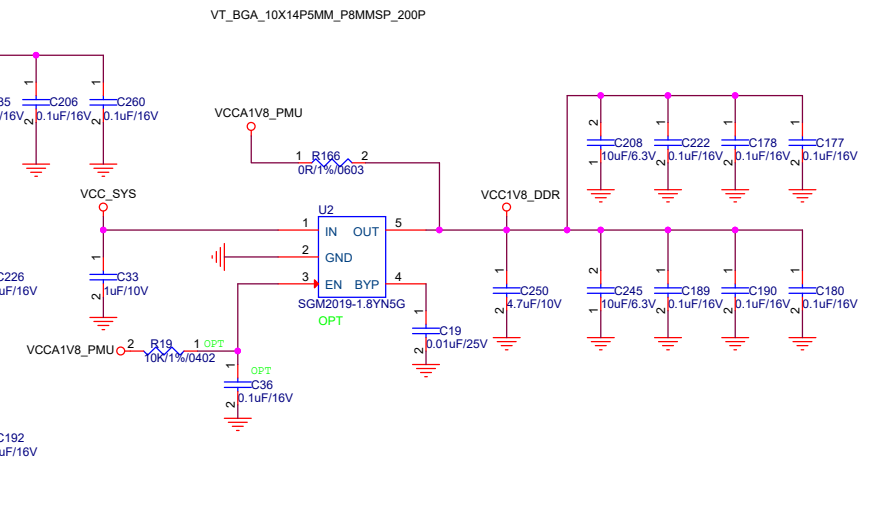
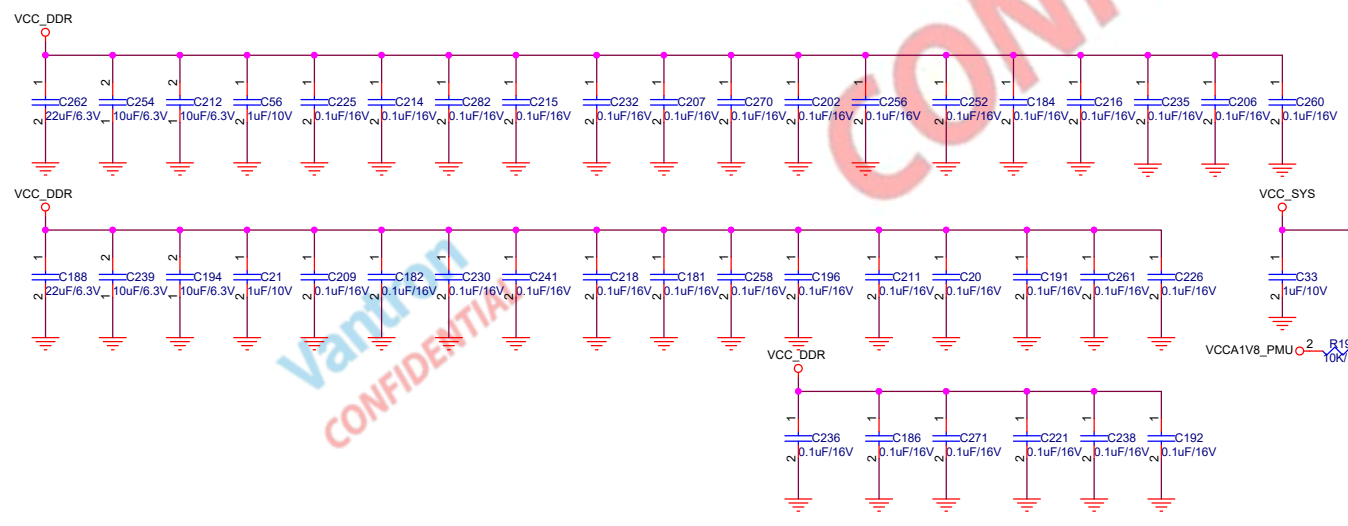
Vantron  
CONFIDENTIAL

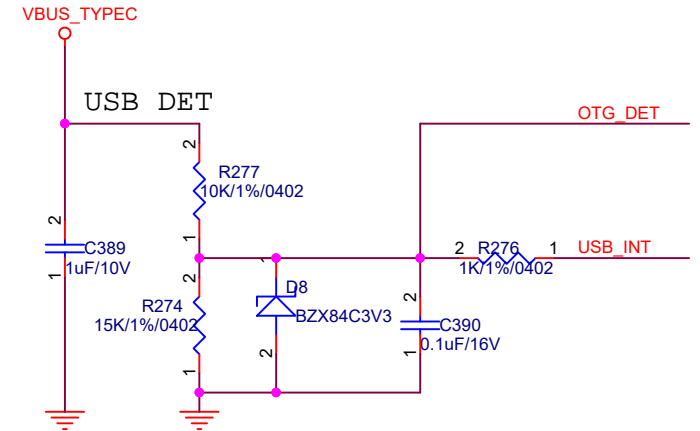
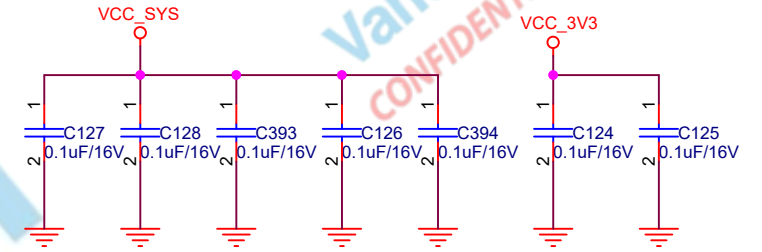
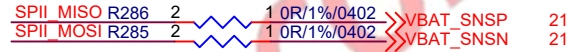
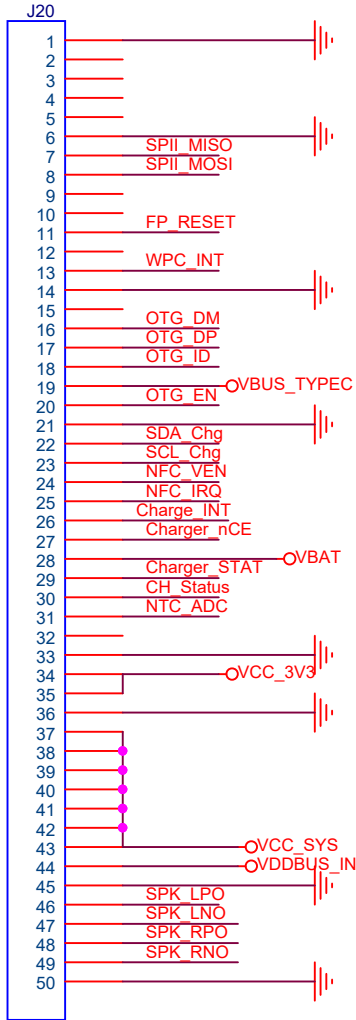


VT\_BGA\_10X14P5MM\_P8MMSP\_200P



VT\_BGA\_10X14P5MM\_P8MMSP\_200P





Vantron  
CONFIDENTIAL