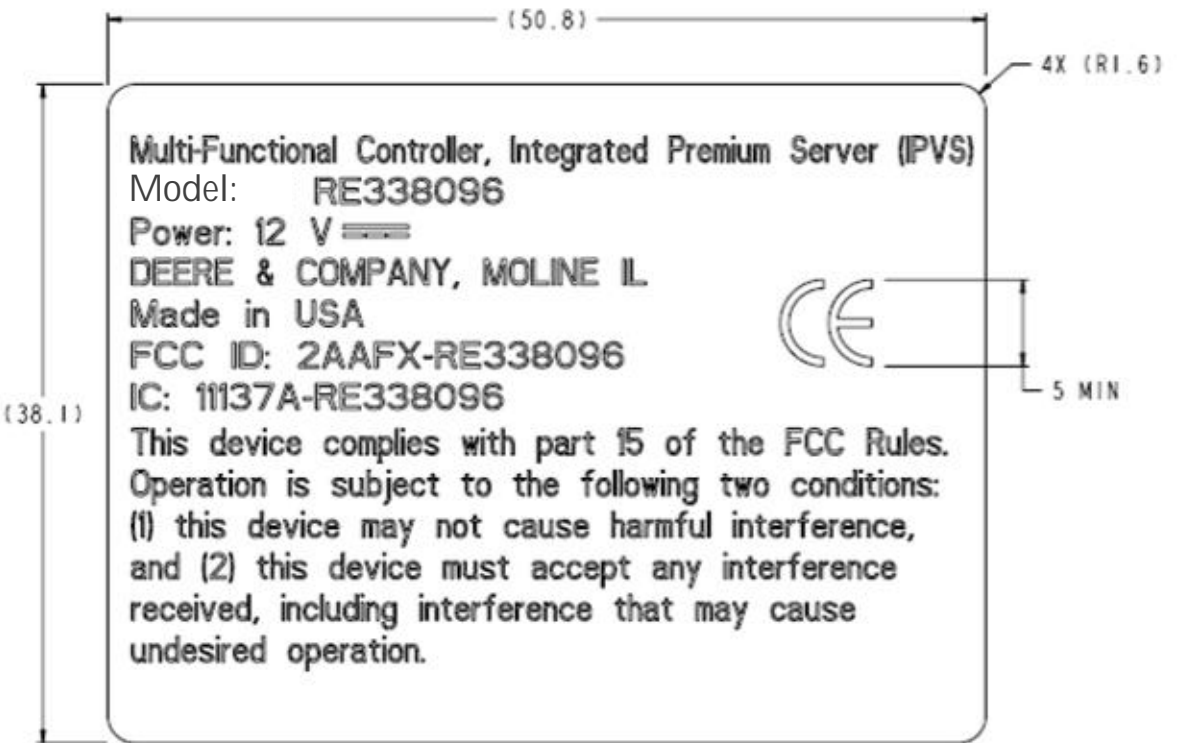



Actual Size  
 Multi-Functional Controller, Integrated Premium Server (IPVS)  
 Model: RE338096  
 DEERE & COMPANY, MOLINE IL  
 Made in USA  
 FCC ID: 2AAFX-RE338096  
 IC: 11137A-RE338096  
 This device complies with part 15 of the FCC Rules. Operation is subject to the following two conditions: (1) this device may not cause harmful interference, and (2) this device must accept any interference received, including interference that may cause undesired operation.

|             |        |       |     |
|-------------|--------|-------|-----|
| PART NUMBER | MEDIUM | SHEET | REV |
| PH53223483  | JD90   | 1/1   | A   |

| SYM | DESCRIPTION | CHANGE DOC | DATE(YYYY-MM-DD) | APPROVED        |
|-----|-------------|------------|------------------|-----------------|
| A1  | NEW         | 135804PH   | 2013-08-20       | MARK D SCHWALTZ |



Multi-Functional Controller, Integrated Premium Server (IPVS)  
 Model: RE338096  
 Power: 12 V   
 DEERE & COMPANY, MOLINE IL  
 Made in USA  
 FCC ID: 2AAFX-RE338096  
 IC: 11137A-RE338096  
 This device complies with part 15 of the FCC Rules.  
 Operation is subject to the following two conditions:  
 (1) this device may not cause harmful interference,  
 and (2) this device must accept any interference  
 received, including interference that may cause  
 undesired operation.



CONFIDENTIAL AND PROPRIETARY TO DEERE & COMPANY.  
 UNAUTHORIZED USE, DISCLOSURE, OR REPRODUCTION PROHIBITED.  
 COPYRIGHT © DEERE & COMPANY. ALL RIGHTS RESERVED.

|          |               |
|----------|---------------|
| MATERIAL | JDM F9W WHITE |
|----------|---------------|

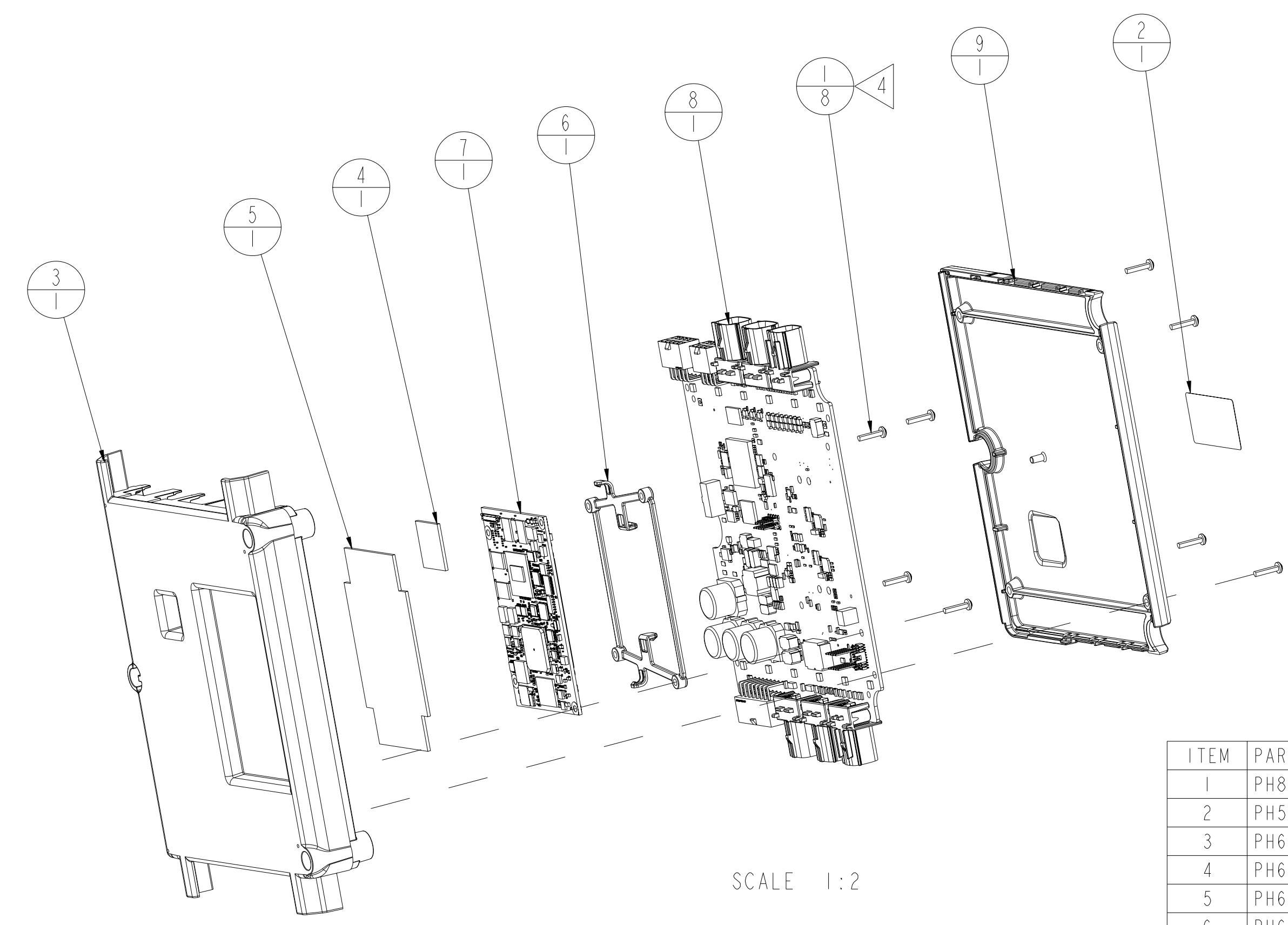
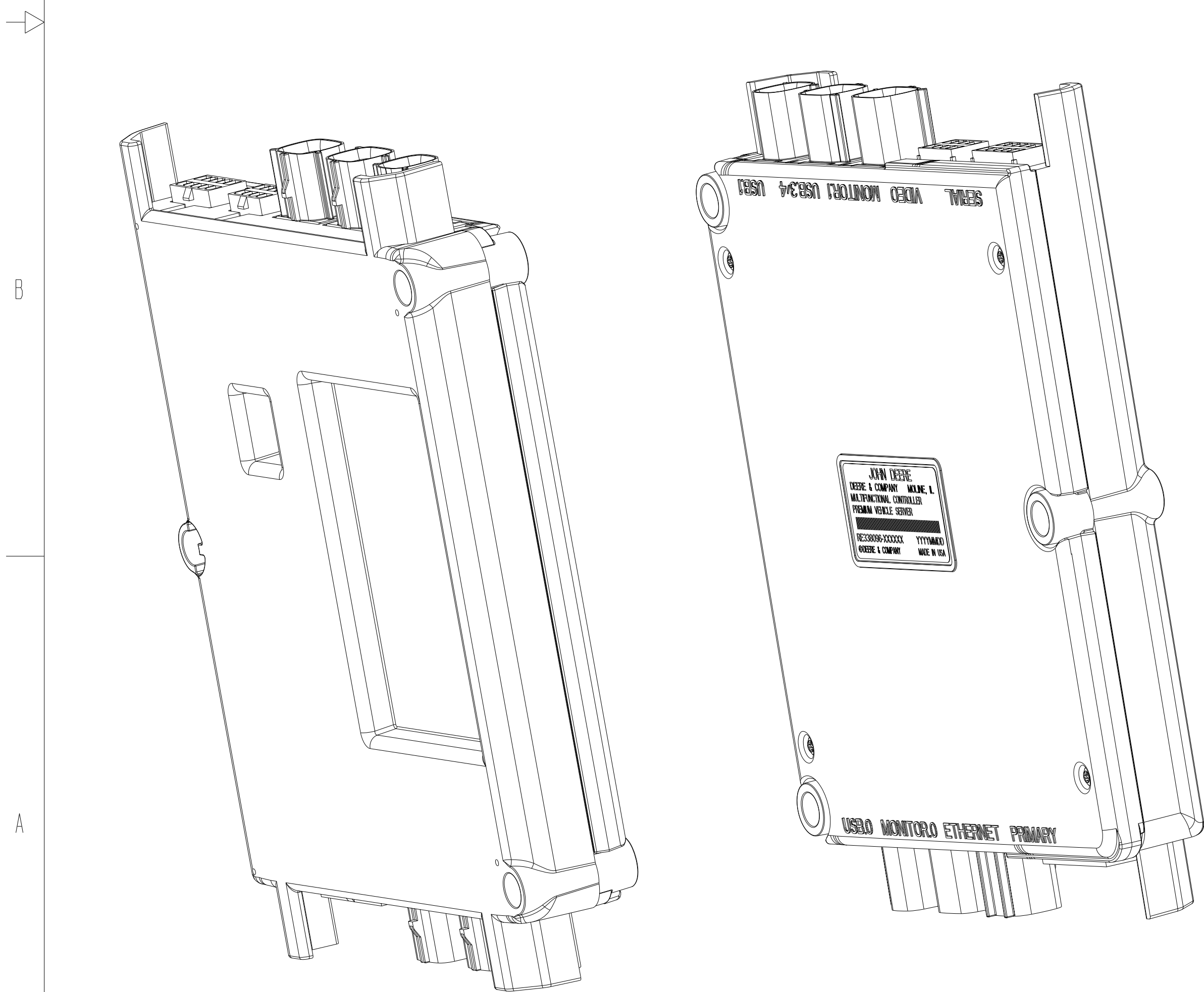
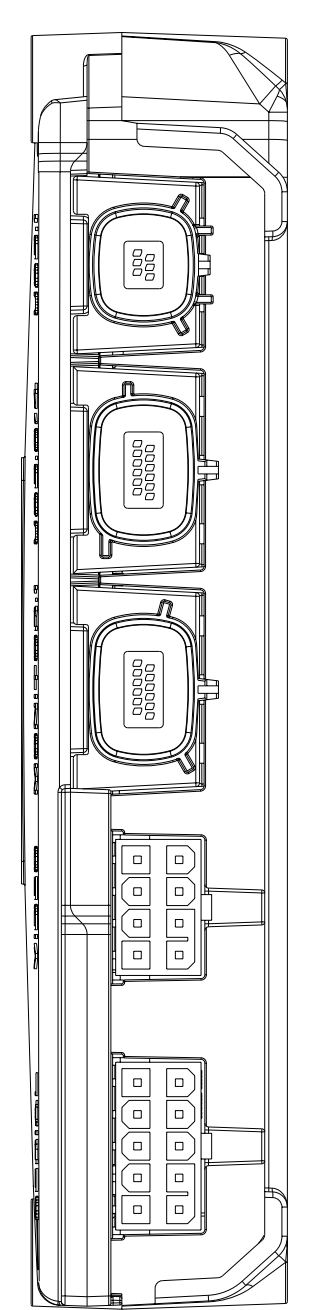
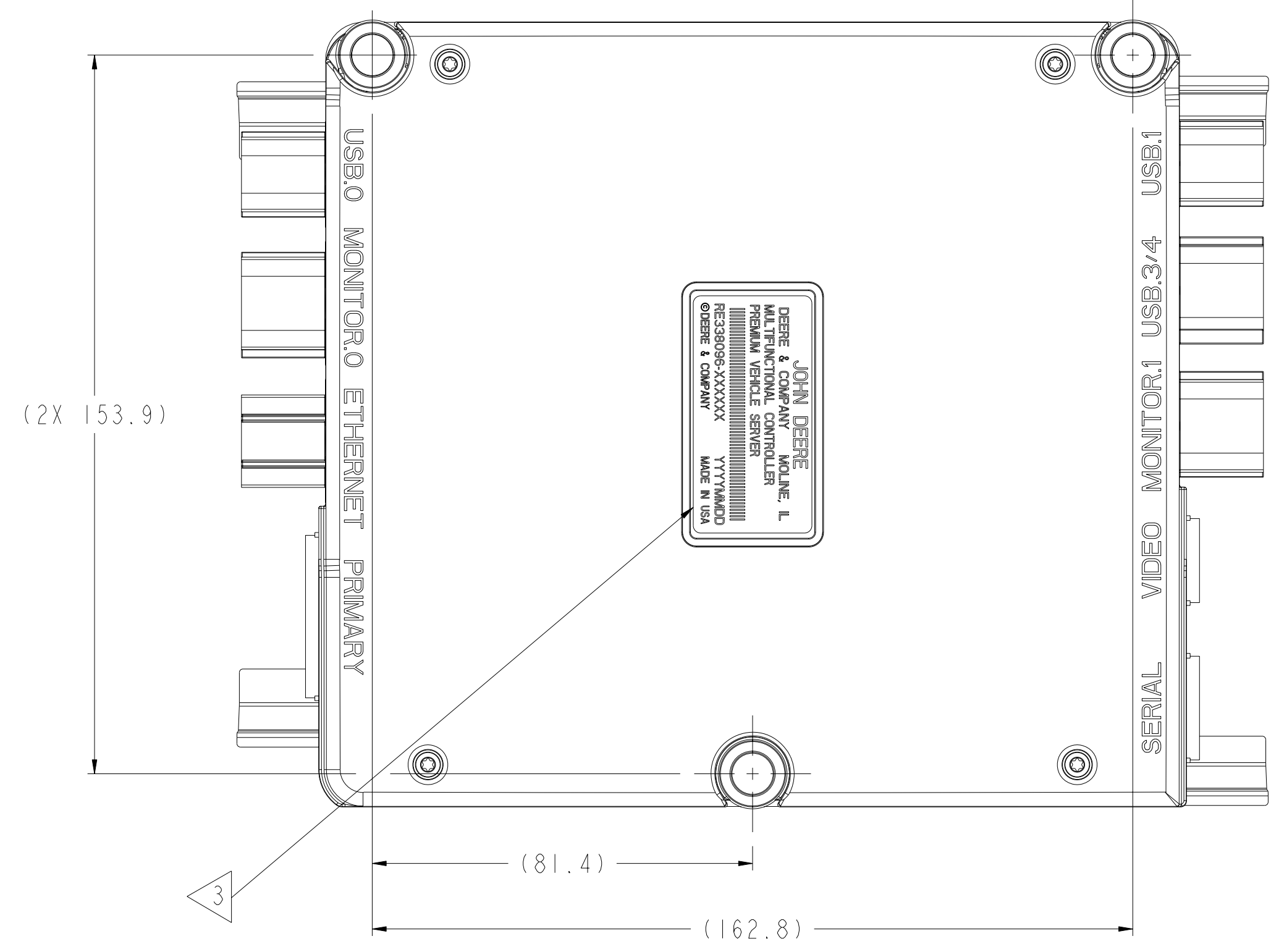
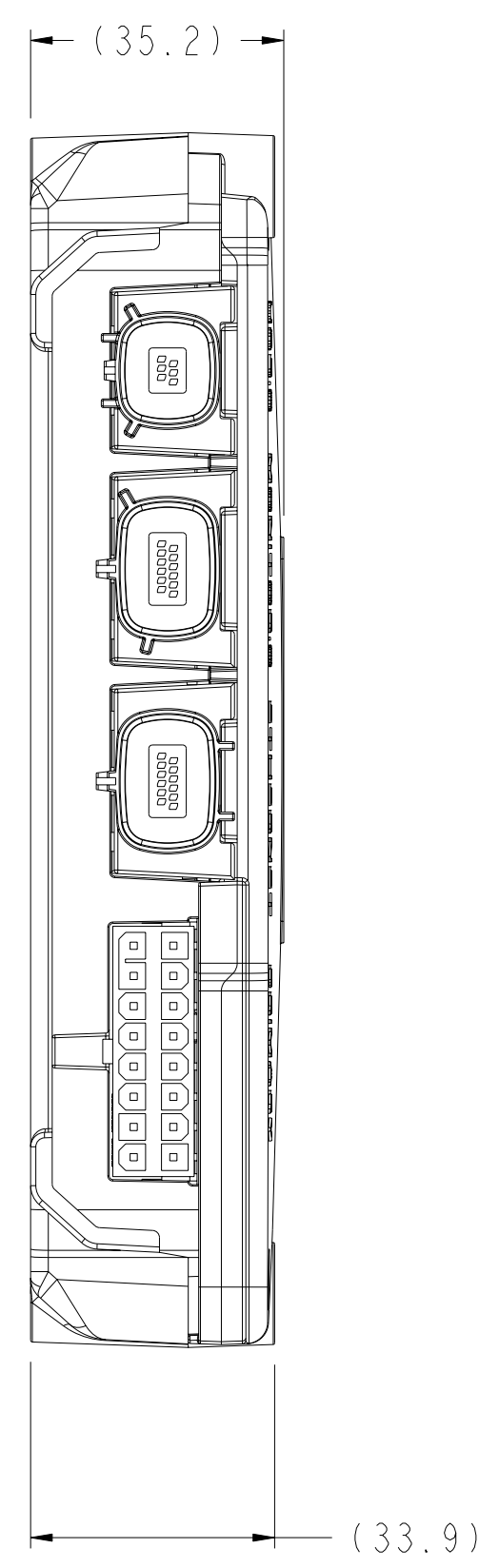
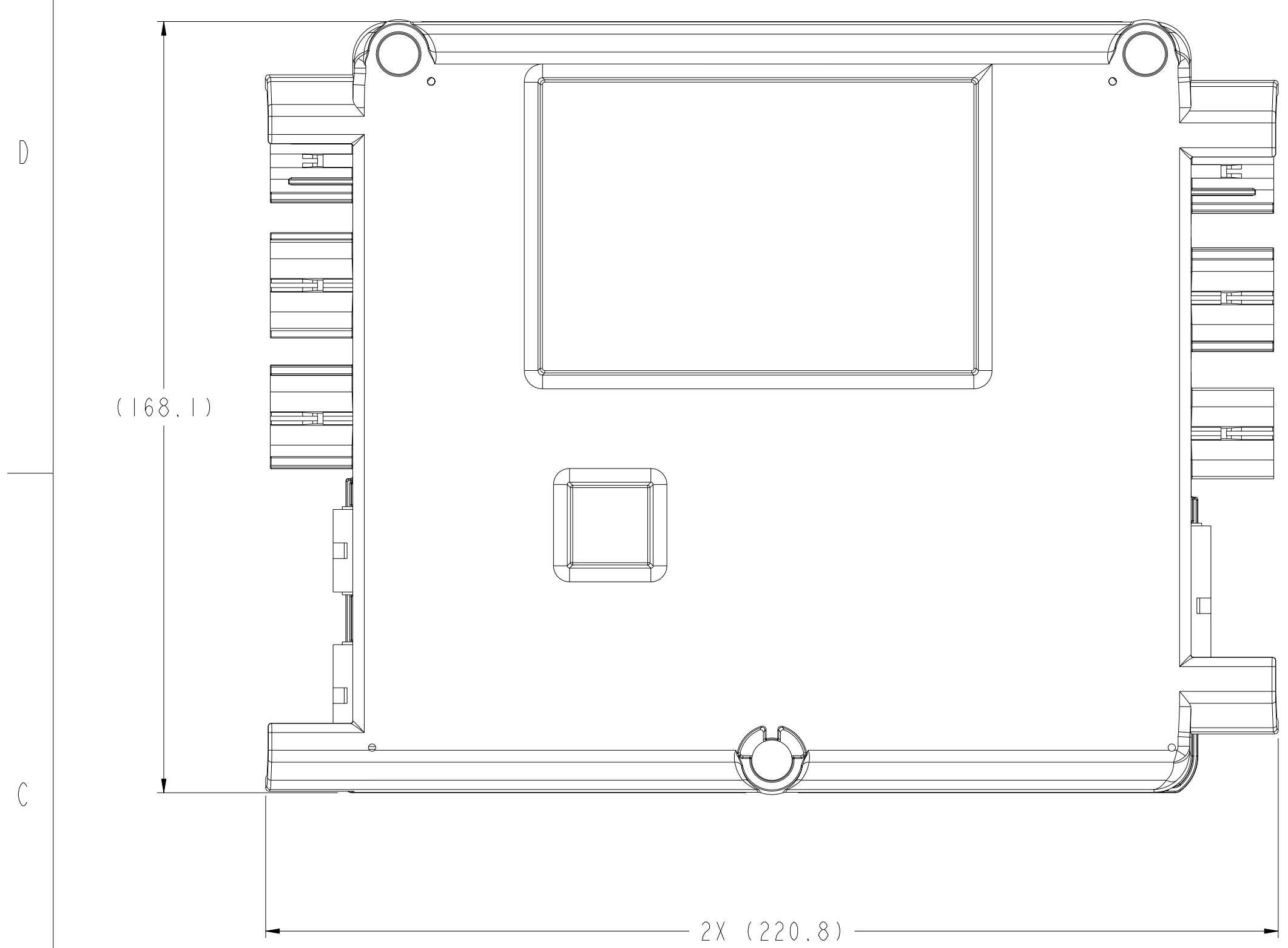
|             |                           |           |          |
|-------------|---------------------------|-----------|----------|
| DESIGNER    | MARK D. SCHWALTZ          | SCALE     | 4:1      |
| DATE        | 2013-08-20                | REFERENCE | JDS-G113 |
| UNIT        | METRIC                    | SIZE      | B        |
| NAME        | LABEL                     | DATE      | 08/20/13 |
|             | FCC                       |           |          |
|             | INTEGRATED PREMIUM SERVER |           |          |
|             | DEERE & COMPANY           | REVISION  | JD90     |
|             | MOLINE, ILLINOIS 61265    | SHEET     | 1/1      |
| PART NUMBER | PH53223483                | REVISION  | A        |

TEXT COLOR: JDM F9RL LABEL GLOSS BLACK.  
 TEXT AND SYMBOL TO BE LOCATED APPROXIMATELY AS SHOWN.  
 FONT DEFINITION: ALL TEXT TO BE SANS SARIF FONT, 6 PT.

|          |           |        |         |
|----------|-----------|--------|---------|
| MODEL BY | MODEL REV | JOB BY | JOB BY  |
| Develop  | A.7       | A.7    | Develop |

PH53223483

|        |      |
|--------|------|
| REV    | A    |
| SHEET  | 1/1  |
| MEDIUM | JD90 |



| ITEM | PART NUMBER    | PART NAME | DESCRIPTION                    | QTY |
|------|----------------|-----------|--------------------------------|-----|
| 1    | PH81216120     | SCREW     | TORX PAN HEAD TAPTITE TRI-LOBE | 8   |
| 2    | PH53217334-P   | LABEL     | P/N - S/N                      | 1   |
| 3    | PH60215841-P   | HOUSING   | BOTTOM                         | 1   |
| 4    | PH60217011-P   | PAD       | THERMAL                        | 1   |
| 5    | PH60215765-P   | PAD       | THERMAL                        | 1   |
| 6    | PH60215787-P   | SPACER    | EUROTECH                       | 1   |
| 7    | 98-214631      | PCB       | EUROTECH                       | 1   |
| 8    | 95-215542-01-P | PCB       | SERVER                         | 1   |
| 9    | PH60215836-P   | COVER     | TOP                            | 1   |

1. THE AUTHORITY FOR ASSEMBLY CONTENT IS THE RELEASED BILL OF MATERIAL (BOM). REFER TO THE BOM FOR ASSEMBLY CONTENT AND DETAIL PART NUMBER REVISION LEVEL.
2. THE AUTHORITY FOR EACH DETAIL PART IS THE DETAIL PART DRAWING. REFER TO THE DETAIL PART DRAWING AND DATASET (AS APPLICABLE) FOR COMPLETE DETAIL PART DEFINITION.
3. LABEL TO BE ORIENTED AND LOCATED APPROXIMATELY AS SHOWN.
4. TORQUE SCREWS P/N PH81216120 TO 0.90±0.09 N-m (8 IN-LB)

UNAUTHORIZED USE, DISCLOSURE, OR REPRODUCTION PROHIBITED. COPYRIGHT © DEERE & COMPANY. ALL RIGHTS RESERVED.

ORIGINATOR: **JOHN T. JACOBSON**  
 ORIGINATION DATE: **2011-12-21** REFERENCE: **JDS-6113**  
 MATERIAL: **90-215541-01-P ASSEMBLY**

**INSTRUCTIONS**  
 ASSEMBLY  
 INTEGRATED PREMIUM VEHICLE SERVER

**DEERE & COMPANY**  
 MOLINE, ILLINOIS 61265

PART NUMBER: **PH99217339-P**

SCALE: **1:1**  
 SIZE: **D**  
 CAGE CODE:  
 VERSION: **JD90**  
 SHEET: **1/1**  
 REVISION: **A**

PART NUMBER PH99217339-P  
VERSION JD90  
SHEET 1/1  
REV A