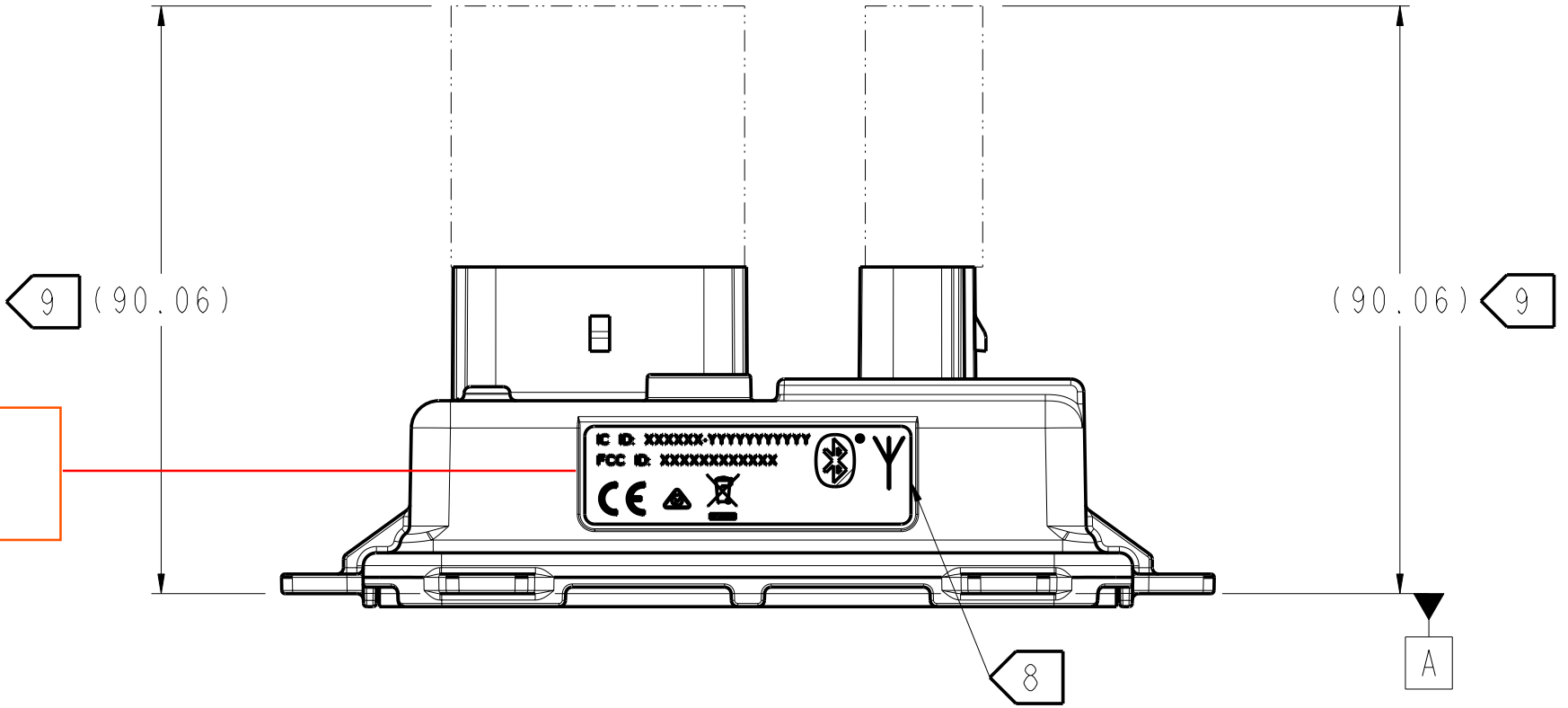


Equipment Photographs

(External)



Label Location



4

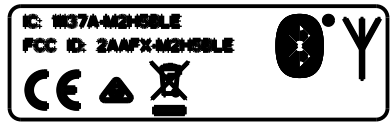
3

2

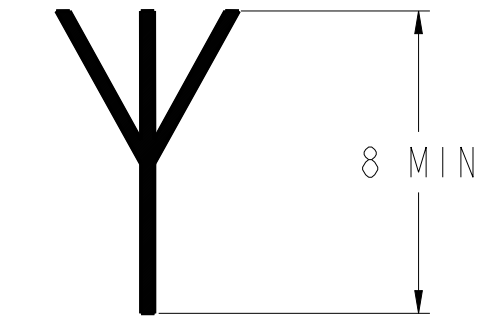
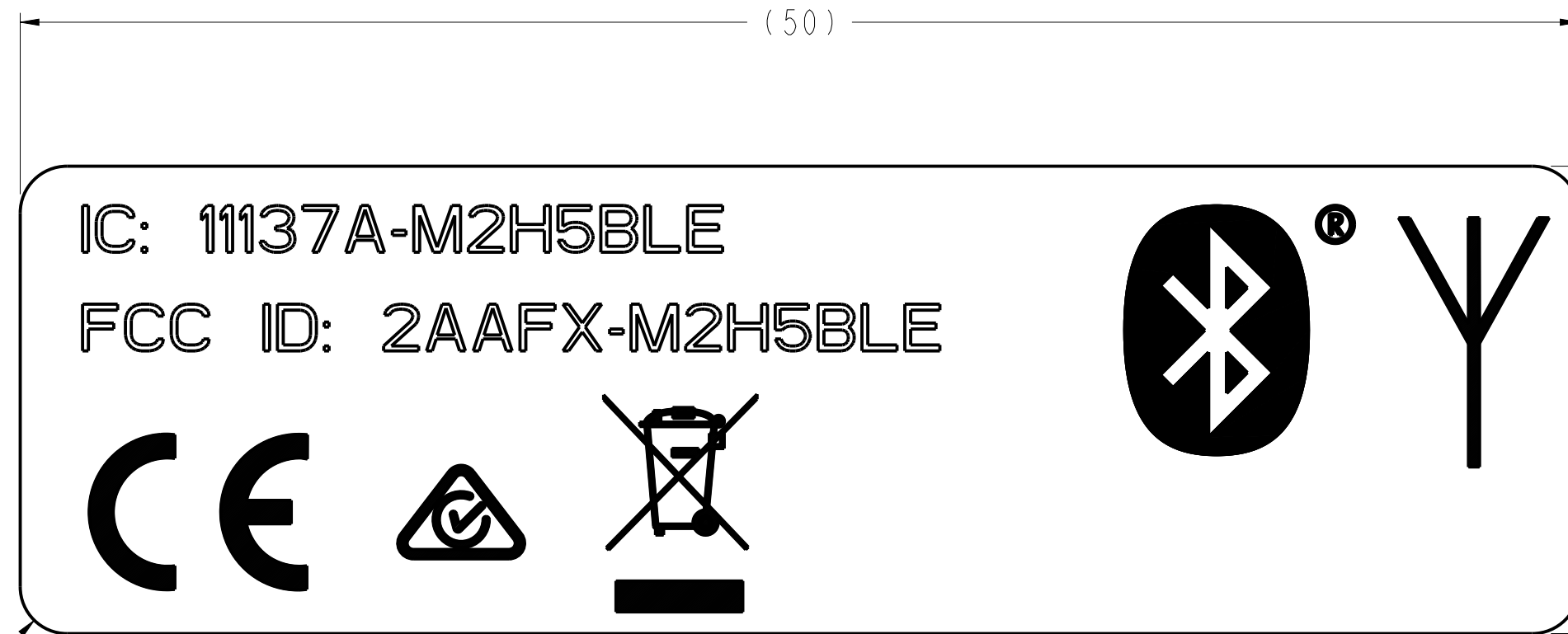
1

PART NUMBER	VERSION	SHEET	REV
PH53241331	JD90	1/1	D

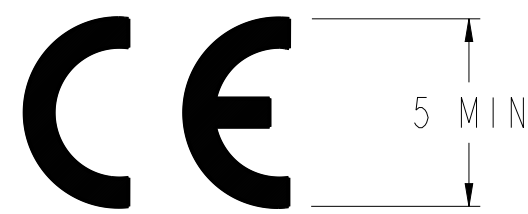
ZONE	SYM	DESCRIPTION	CHANGE DOC	DATE(YYYY-MM-DD)	APPROVED
C4	D1	REVISED TEXT	262403PH	2021-03-10	YASHWANT K. YEMUL
A3	D2	ADDED NOTE 8	262403PH	2021-03-10	YASHWANT K. YEMUL



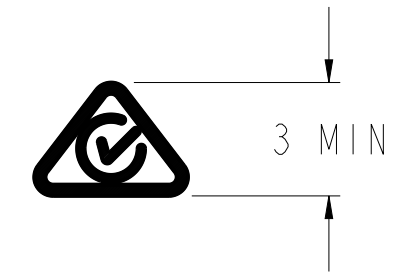
ACTUAL SIZE



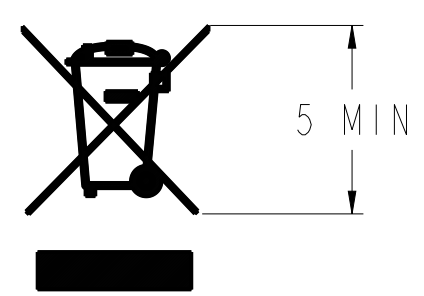
ANTENNA SYMBOL



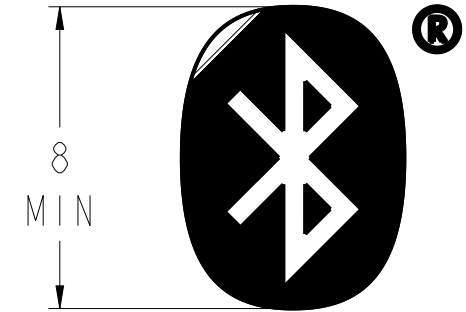
CE MARKING



RCM SYMBOL



WEEE SYMBOL



BLUETOOTH SYMBOL

MODEL NUMBER	HARDWARE PART NUMBER
PH85239277	HW P/N: PH85239277
PH85239285	HW P/N: PH85239285
PH85239281	HW P/N: PH85239281
PH85239306	HW P/N: PH85239306
PH85239297	HW P/N: PH85239297

- TEXT TO BE LOCATED APPROXIMATELY AS SHOWN.
- BACKGROUND COLOR: JDM F9W WHITE
- TEXT COLOR: JDM F9RL LABEL GLOSS BLACK
- FONT DEFINITION: ALL TEXT TO BE SANS SERIF FONT. ALL TEXT TO BE 1.5 mm. UNLESS OTHERWISE NOTED.
- REFER PDP-428-F1 FORM FOR IC AND FCC ID NUMBERS.
- <KC> COMPLIANCE WITH EUROPEAN REGULATION 1907/2006 (EU REACH), INCLUDING ITS ANNEX XVII BAN OF CERTAIN SUBSTANCES AND DISCLOSURE OF SUBSTANCES OF VERY HIGH CONCERN ARE REQUIRED FOR THIS PART.
- <KC> PER AG 001
- THE MODEL NUMBERS MENTIONED IN THE TABLE WILL BE PRINTED AS HARDWARE PART NUMBER ON THE END PRODUCT PN-SN LABEL.

MATERIALS PER JDM H31

CONFIDENTIAL AND PROPRIETARY TO DEERE & COMPANY. UNAUTHORIZED USE, DISCLOSURE, OR REPRODUCTION PROHIBITED. COPYRIGHT © DEERE & COMPANY. ALL RIGHTS RESERVED.		ORIGINATOR YASHWANT K. YEMUL		SCALE 5:1	
MATERIAL PH53241330		ORIGINATION DATE 2019-12-11	REFERENCES JDS-G113	METRIC	SIZE C
DEERE & COMPANY MOLINE, ILLINOIS 61265				VERSION JD90	SHEET 1/1
PART NUMBER PH53241331				REVISION D	

MODEL RL	MODEL REV	DRW REV	DRW RL	(MSS HG)
Study	D.14	D.14	Study	(0)

PART NUMBER
PH53241331

VERSION
JD90

SHEET
1/1

REV
D

4

3

2

1