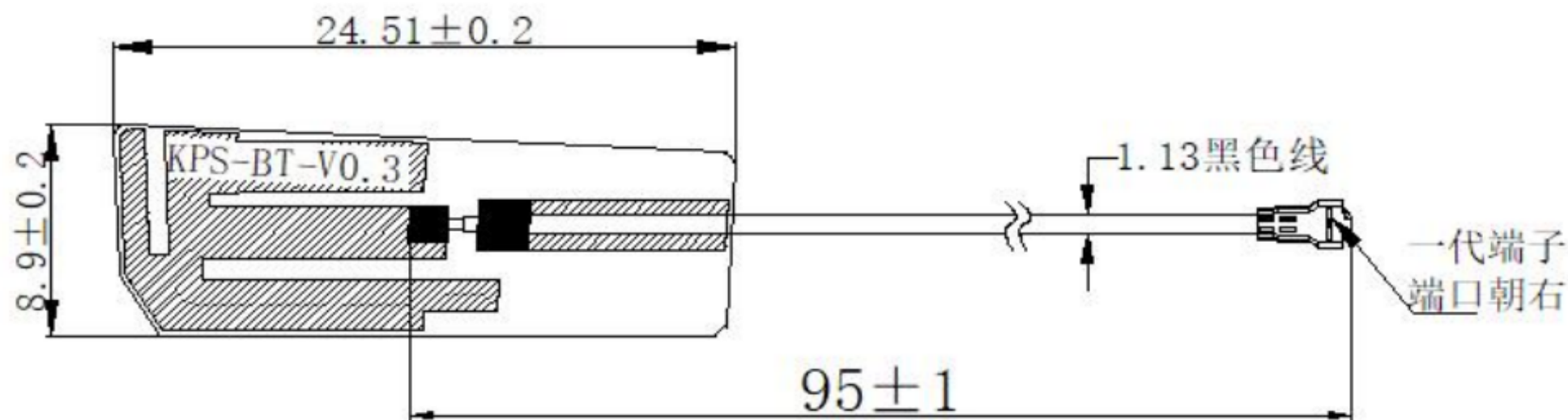
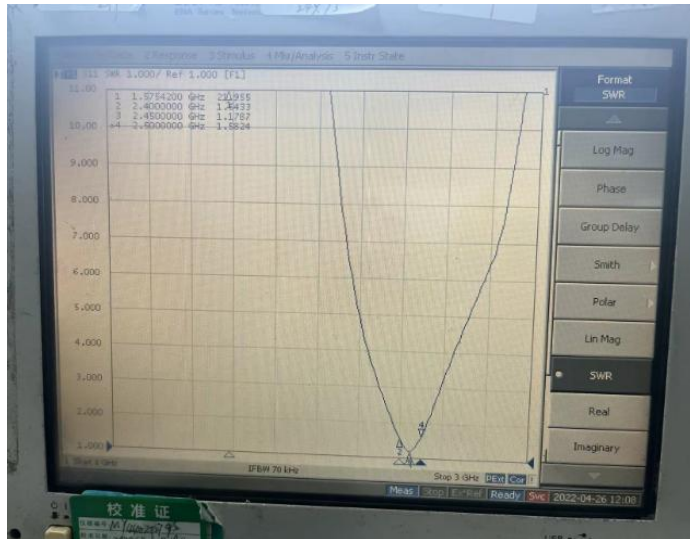


RF Antenna Test Report

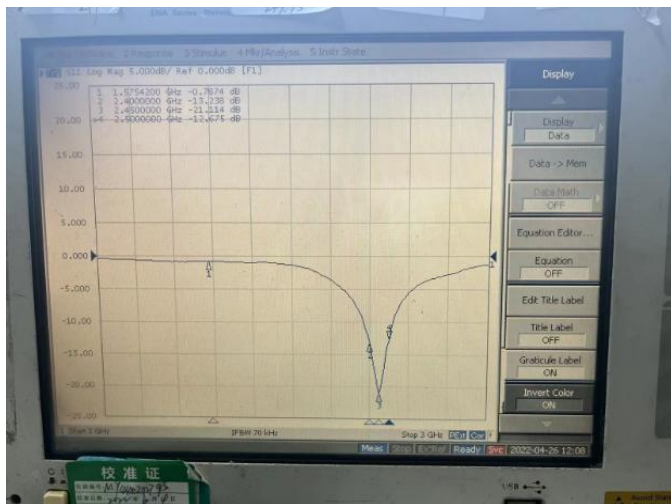
Model:	Keyboard
Antenna type:	PCB board antenna
Applicant:	Chuangdong Electronic Technology
Testing laboratory:	Shenzhen cape deep communication technology co., LTD



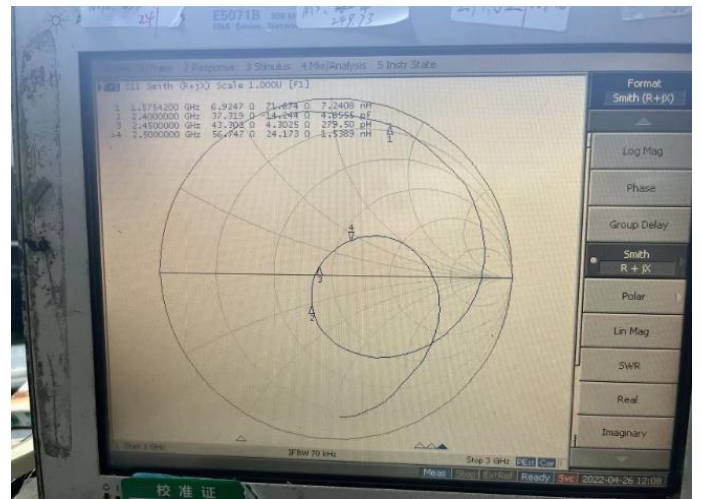
2.4G Antenna standing wave diagram



2.4G antenna return loss diagram



2.4G Smith chart Chart



Matching parameters

PCB 天线匹配电路

RF Module ← E2 → Antenna

E3 ↓ E1 ↓

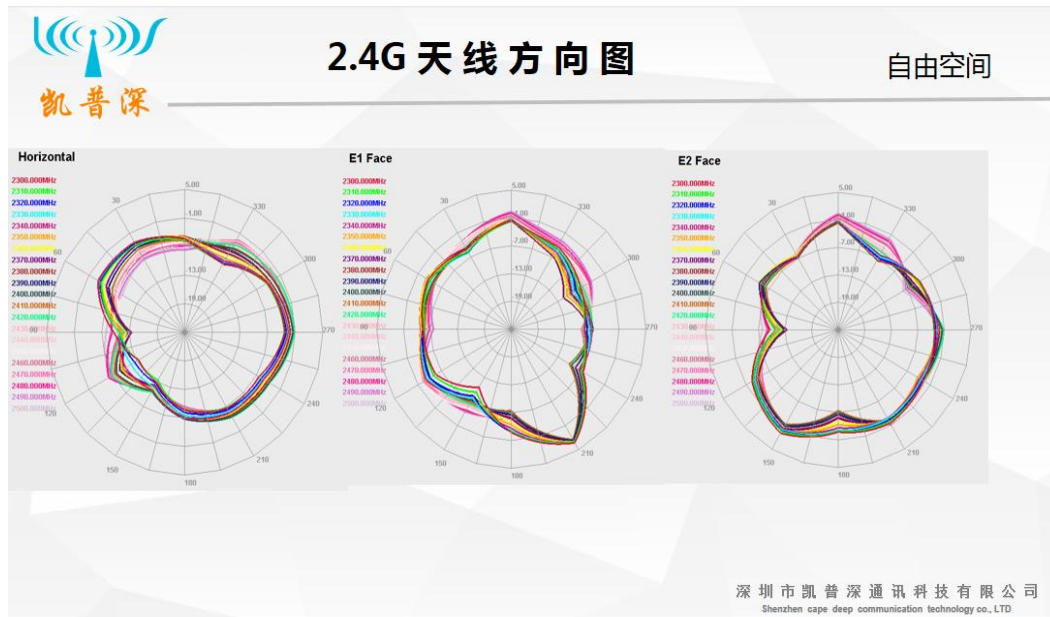
Element	Value
E1	8.2NH
E2	1.2P
E3	NC

深圳市凯普深通讯科技有限公司
Shenzhen cape deep communication technology co., LTD

Passive efficiency diagram

Freq (MHz)	Effi (%)	Effi (dB)	Gain (dBi)
2400	44.32	-3.42	3.05
2410	45.83	-3.23	3.12
2420	45.23	-3.31	3.09
2430	45.94	-3.21	3.15
2440	46.77	-3.12	3.23
2450	47.92	-2.92	3.36
2460	47.05	-2.98	3.31
2470	48.51	-3.82	3.45
2480	48.44	-2.84	3.41
2490	47.83	-2.95	3.39
2500	46.37	-3.08	2.21

Antenna Pattern



Dark Room Layout

