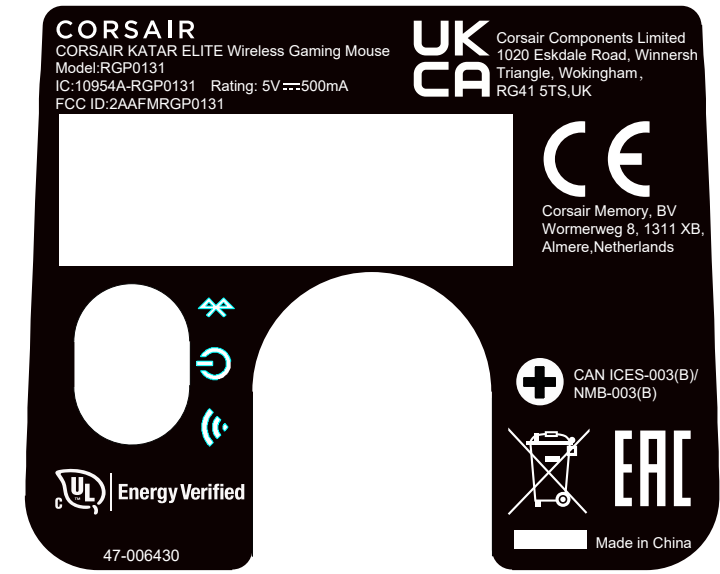
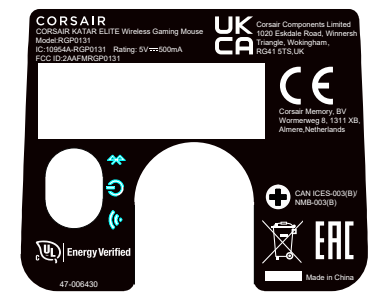
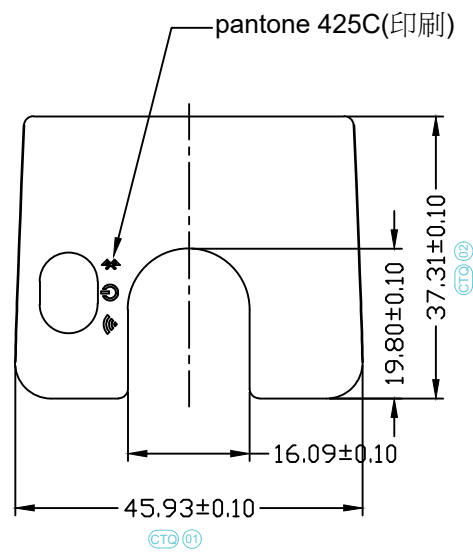


MARK	ISSUE	REVISER	DATE	REV.	DCN NO.
------	-------	---------	------	------	---------



Scale:2:1

Note:

1. Material is: PET, T=0.15mm, matte PP
2. Background color: Pantone 425C
3. Lettering color: Pantone 425C
4. The part is according to the latest version HS-301 of LITEON.
5. Unit: mm
6. Tolerance: +/-0.1mm
7. The adhesive force: 3.5kgf min(90度拉拔测试规格) or 1.2kgf min(180度剥离测试规格)
8. Rolling style: the letter is positive when pick up the label.
9. Array: single file.
10. (X) FAI: First Article Inspection dimension
 (CTA) CTA: Dimensions which are critical to assembly
 (CTQ) CTQ: Dimensions to be checked during IQC
 (CPK) CPK: Dimensions to measure/monitor process capability
 (X.XX): Dimensions in brackets are reference dimensions

Logo size:



SCALE: 1:1	TOLERANCE UNSPECIFIED: .XXX ±0.050 .XX ±0.10 .X ±0.2 ±1 ANGLE ±0.5°	LITEON ® SILITEK ELECTRONICS(DONGGUAN)CO.,LTD	
UNIT: mm		THIRD ANGLE 	TITLE: SM6160 FCC Label for NA & EU
DRAWN: Joanzhou	DESIGNER: Joanzhou	SHEET 1 OF 1	
CHECKED: Ivychung	APPROVED: Kcwang	DRAWING NO.:	836-27748-00A