

CORSAIR

NIGHTSABRE

Wireless FPS Gaming Mouse

CHARGING THE MOUSE

IMPORTANT: The NIGHTSABRE mouse must be fully charged before its first use.

Connect the mouse to an available USB 2.0 or 3.0 port on your PC with the USB CHARGING / DATA CABLE (S).

The MULTI-PURPOSE LED INDICATOR (J) on the mouse will begin pulsing green to denote battery charging and will turn solid when charging is complete.

GETTING TO KNOW YOUR MOUSE



IMAGE FPO

A	LEFT MOUSE BUTTON	K	USB CHARGING / DATA PORT
---	-------------------	---	--------------------------

B	SCROLL WHEEL TILT LEFT CLICK	L	POWER / WIRELESS MODE SWITCH
C	MIDDLE CLICK / SCROLL WHEEL	M	OPTICAL SENSOR
D	SCROLL WHEEL TILT RIGHT CLICK	N	USB WIRELESS RECEIVER / DONGLE STORAGE
E	RIGHT MOUSE BUTTON	O	VIRGIN GRADE PTFE MOUSE FEET
F	DPI UP BUTTON	P	FORWARD BUTTON
G	DPI DOWN BUTTON	Q	BACK BUTTON
H	PROFILE UP BUTTON	R	USB WIRELESS RECEIVER
I	PROFILE DOWN BUTTON	S	USB CHARGING / DATA CABLE
J	MULTI-PURPOSE LED INDICATOR		

SETTING UP 2.4GHz SLIPSTREAM WIRELESS

Hyper-fast sub-1ms wireless connection is designed for no-compromise gaming grade performance.

- Toggle the POWER / WIRELESS MODE SWITCH (L) to “2.4GHz” position to turn on your mouse.
- Connect the USB WIRELESS RECEIVER (R) to an available USB 2.0 or 3.x port located on the front panel of your PC or nearby USB port. (e.g. on CORSAIR MM700, MM800, MM1000 mousepads).
- The MULTI-PURPOSE LED INDICATOR (J) will turn solid white when connected.
- Download the iCUE software from www.corsair.com/downloads.
- Run the installer program and follow instructions for installation.

If reconnection is required, initiate USB wireless receiver pairing via the iCUE software settings menu.

SETTING UP BLUETOOTH WIRELESS

Bluetooth wireless is best for everyday computing tasks, productivity, and office applications.

- Initiate Bluetooth pairing on your Bluetooth 4.0 or higher enabled device.

- Press and hold DPI UP BUTTON (F).
- Toggle POWER / WIRELESS MODE SWITCH (L) to “BT” position to turn on your mouse.
- Follow the instructions provided to successfully connect your device.
- The MULTI-PURPOSE LED INDICATOR (J) will turn solid blue when connected.

ON-THE-FLY DPI TUNING

This mouse has a unique feature where you can adjust the current onboard DPI stage setting in 50 DPI increments without the software, so you can jump right into the action while you find the perfect sensitivity setting.

Function	Shortcut	Multi-Purpose LED Indicator
Increase DPI by 50	Hold DPI UP BUTTON (F) and press FORWARD BUTTON (P)	Blinks green
Decrease DPI by 50	Hold DPI UP BUTTON (F) and press BACK BUTTON (Q)	Blinked red
Reset DPI Stage	Hold DPI UP BUTTON (F) then both FORWARD (P) and BACK (Q) buttons for 2 seconds	Blinks yellow

On-the-fly DPI changes are saved to the onboard memory and can be further adjusted in granular 1 DPI steps in iCUE software. If iCUE is running, then changes are saved to the software profile directly.

MOUSE STATUS, DPI SETTINGS, AND INDICATIONS

Wireless connection and battery status are communicated through the MULTI-PURPOSE LED INDICATOR (J). The mouse comes preloaded with common competitive DPI settings which can be selected by pressing the DPI UP BUTTON (F)

or DPI DOWN BUTTON (G) with the MULTI-PURPOSE LED INDICATOR (j) backlighting to reflect the current stage.

BATTERY STATUS	MULTI-PURPOSE LED INDICATOR
Battery charging	Pulsing green
Battery critical, recharge required	Pulsing red
Battery low, recharge soon	Blinking red
Battery Medium	Blinking amber
Battery high	Blinking green
Battery charged	Green

WIRELESS STATUS	MULTI-PURPOSE LED INDICATOR
2.4GHz wireless mode – pairing	Blinking white
2.4GHz wireless mode – paired	White
2.4GHz wireless mode – pairing failed	Pulsing white
BT wireless mode – pairing	Blinking blue
BT wireless mode – paired	Blue
BT wireless mode – pairing failed	Pulsing blue

DPI STAGE STATUS	MULTI-PURPOSE LED INDICATOR
Stage #1 – 400 DPI	(Image, bottom only capri)
Stage #2 – 800 DPI	(Image, middle and bottom capri)
Stage #3 – 1200 DPI	(Image, middle only capri)
Stage #4 – 1600 DPI	(Image, top and middle light capri)
Stage #5 – 3200 DPI	(Image, top light only capri)

DPI STAGE STATUS	MULTI-PURPOSE LED INDICATOR
Profile #1	(Image, bottom red)
Profile #2	(Image, middle and bottom green)
Profile #3	(Image, middle blue)

BATTERY REMOVAL INFORMATION

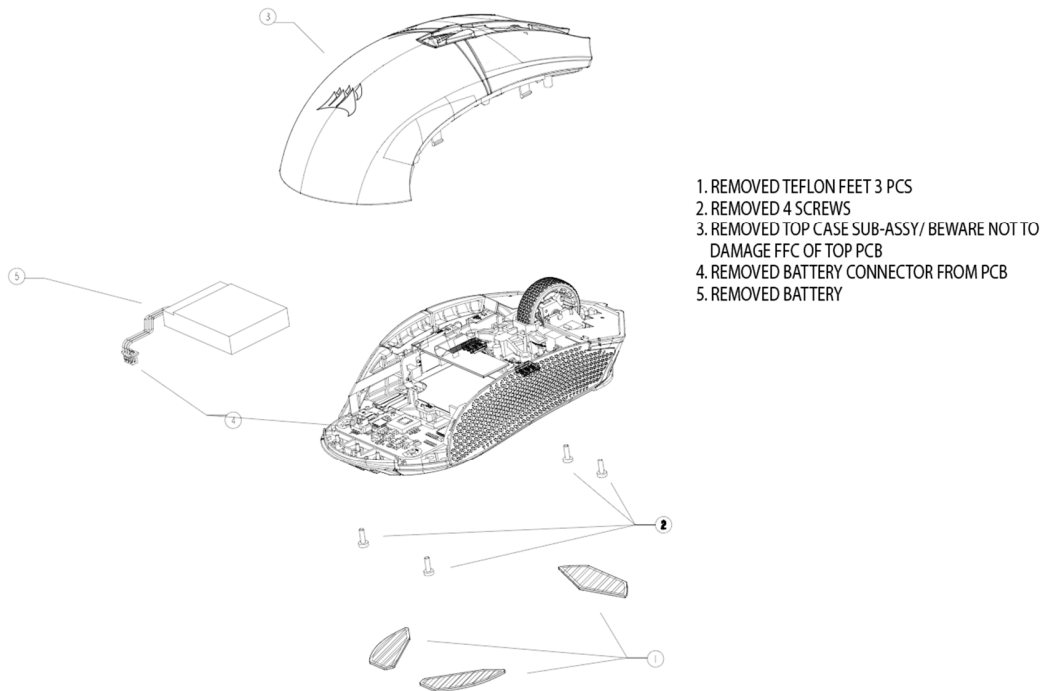


IMAGE FPO

This product uses a rechargeable battery and safety guidelines must be followed in the event that the product is disabled for disposal and recycling. To safely remove the battery for disposal and recycling, follow the numbered steps with the below diagrams.

CORSAIR MEMORY, Inc. encourages customers to recycle used electronic hardware and rechargeable batteries in accordance with local laws and regulations.

FCC ID: 2AAFMRGP0129 (Mouse)

FCC ID: 2AAFMRGP0119 (Dongle)

IC: 10954A-RGP0129 (Mouse)

IC: 10954A-RGP0119 (Dongle)