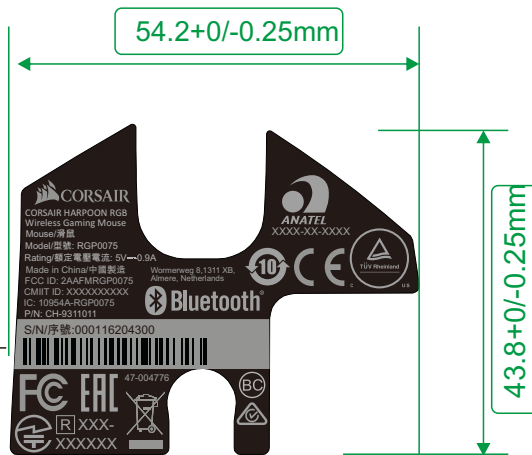


REV.	DESCRIPTION	ENG.	APPROVAL



CODE TYPE :128  
SCAN RESULT:000116204300

1:1

NOTES:

1. Printing: 空白
2.   為IQC和廠商必檢尺寸,單位為mm.
3. Stickiness: 3.kg/cm<sup>2</sup> ,Glue T=0.025~0.03mm
4. Requirement of PRIMAX Part:
  1. Comply with PRIMAX QW-5Q002 "Green Product Chemical Substances Specifion."
  2. Follow customer's specification as required.
  3. Follow Halogen- Free requirement : Br<900 ppm, Cl<900 ppm, Br+Cl< 1500 ppm if required.
5. Product must be halogen free

DO NOT SCALE DRAWING		致伸資訊電子有限公司 PRIMAX ELECTRONICS LTD.											
<small>THESE DRAWINGS AND SPECIFICATIONS ARE THE PROPERTY OF PRIMAX ELECTRONICS LTD. AND SHALL NOT BE REPRODUCED COPIED OR USED IN ANY MANNER WITHOUT THE PRIOR WRITTEN CONSENT OF PRIMAX ELECTRONICS LTD.</small>													
UNLESS OTHERWISE SPECIFIED: DIMENSIONS ARE IN MILLIMETERS ANGULAR TOLERANCE: ±1.0°		USED 20-2K301CR01	APPD. Sarah.Lee										
<table border="1"> <thead> <tr> <th>DIMENSIONS</th> <th>TOLERANCE</th> </tr> </thead> <tbody> <tr> <td>0.00 TO 30.00mm</td> <td>±0.10mm</td> </tr> <tr> <td>30.01 TO 80.00mm</td> <td>±0.13mm</td> </tr> <tr> <td>80.01 TO 150.00mm</td> <td>±0.15mm</td> </tr> <tr> <td>150.01 ↑</td> <td>±0.20mm</td> </tr> </tbody> </table>		DIMENSIONS	TOLERANCE	0.00 TO 30.00mm	±0.10mm	30.01 TO 80.00mm	±0.13mm	80.01 TO 150.00mm	±0.15mm	150.01 ↑	±0.20mm	FINISH	CHKD. Iven.Yao
DIMENSIONS	TOLERANCE												
0.00 TO 30.00mm	±0.10mm												
30.01 TO 80.00mm	±0.13mm												
80.01 TO 150.00mm	±0.15mm												
150.01 ↑	±0.20mm												
MATERIAL		SCALE /	UNIT mm										
80P 合成紙		DR. Cheery.Qiao 18-02-28											
		TITLE FCC LABEL											
		DWG NO. 304011813000 SIZE A4											
		FILE NAME 304011813000	SHEET 1/1 REV. 1										



The label will be permanently affixed and readily visible.