

A B C D E

1

2

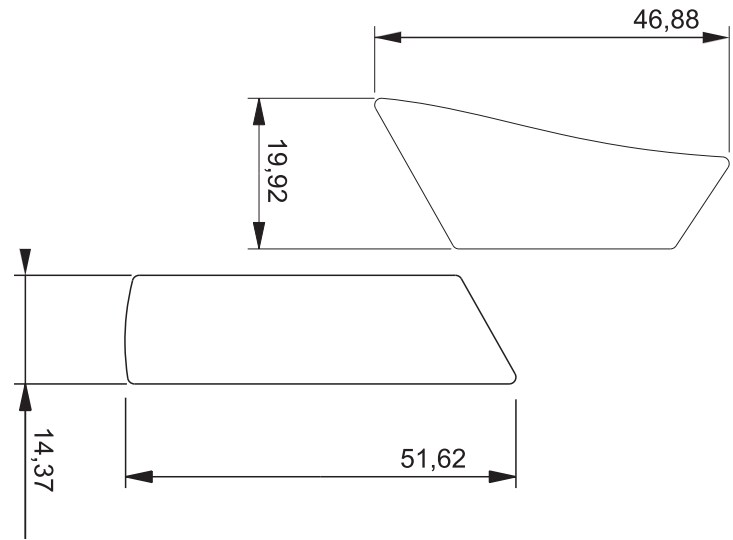
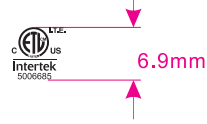
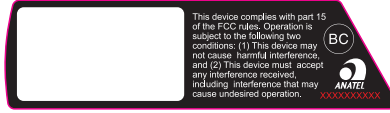
3

4

5

6

7



NOTES:

- 1.MATERIAL: **SYNTHETIC PAPER(消光)** t=0.1mm (WITH GLUE)
(UL/CSA APPROVED)
- 2.BACKGROUND COLOR: PANTONE Process Black C/WHITE(請見圖示)
- 3.TEXT & SYMBOLS COLOR: WHITE
- 4.FINISHED: ADHESIVE.
- 5.LABEL VENDOR HAS TO BE APPRD. BY UL/CSA
- 6.THIS PRODUCT/COMPONENT MUST COMPLY WITH CHICONY SPECIFICATION "ISO 361" .

MGR1755		253-47-004787-A01		CORSAIR/US	
MODEL NO.		PART NO.		REMARK	
CHICONY ELECTRONICS CO.,LTD			MAT.: NOTES		MODEL NO.: MGR1755
APPROVED	CHECKED	DESIGNED	SPEC: NOTES		
Peter	T. S.	Demi	FINISH: NOTES		NAME: SPEC. ID LABEL
			TOL:±0.5	Q'TY	
08/29-'18	08/29-'18	08/29-'18	SCALE: 1 : 1		UNIT: MM
			DWG NO.:		1755-253-FCC(NA+EU)-X2

A B C D E