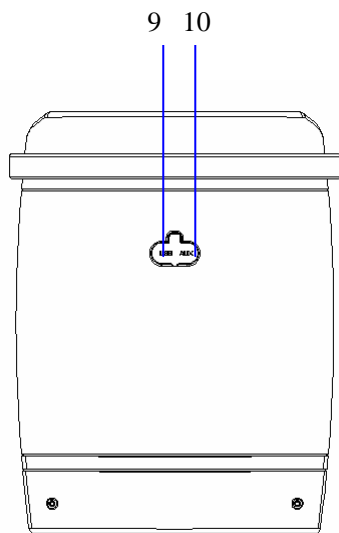
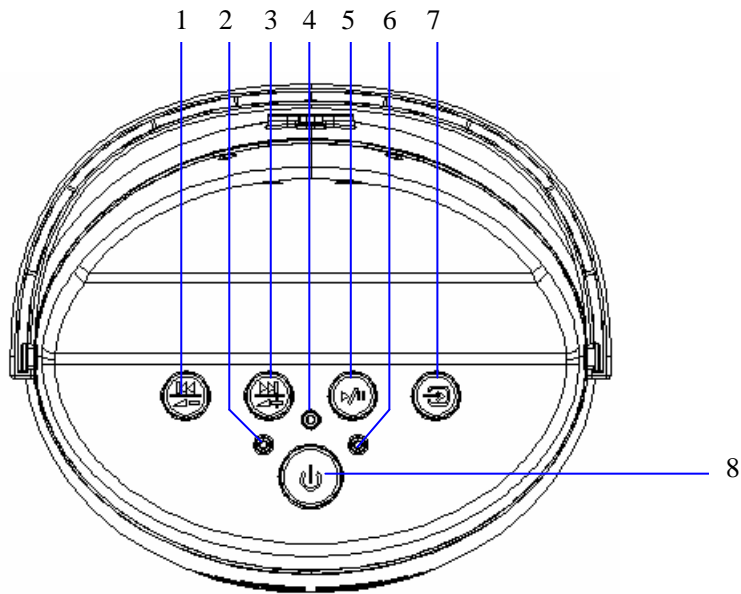


Location of controls



1) |<</ V- BUTTON

Short press-----Select a track or Tune to FM radio stations.
 Press and hold-----Reduce volume

2) BLUETOOTH LED INDICATOR

3) >>| / V+ **BUTTON**

Short press-----Select a track or Tune to FM radio stations.
Press and hold-----Reduce volume

4) **FM LED INDICATOR**

5) **▶||**

- In Bluetooth mode, press to pause or resume play.
- In Bluetooth mode, press and hold for three seconds to disconnect Bluetooth connection or enter pairing mode.

6) **CHARGING LED INDICATOR**

7) **FUNCTION BUTTON**

Select an audio source.

8) **STANDBY BUTTON**

Turn the product on or off

9) **USB JACK**

Recharge the built-in battery.

10) **AUX IN JACK**

Connect an external audio device.

Get started

Always follow the instructions in this chapter in sequence.

Power supply

The speaker can operate on the built-in rechargeable battery.

Before use, fully charge the built-in battery.

Rechargeable battery has a limited number of charge cycles. Battery life and number of charge cycles vary by use and settings.

To recharge the built-in battery:

Connect the supplied USB cable to:

- the USB 5V socket on the speaker.
- the USB socket on a computer .

Note: CHARGING LED INDICATOR will be on in red. RED LED indicator will be off once the charging is finished.

Battery status

CHARGING LED INDICATOR

While charging

ON in red

Fully charged or charging stopped

Off

Turn on or off

- To turn the product on, press the STANDBY button.
the product switches to the last selected source.
- To turn the product off, press standby button again.

Select a source

Press FUNCTION button repeatedly to select an audio source: FM tuner, Bluetooth & Audio-in.

Play from Bluetooth-enabled devices

With this product, you can listen to audio from Bluetooth-enabled devices.

Connect a device

- 1 Turn on the unit first by pressing the STANDBY button.
- 2 Press FUNCTION button repeatedly to select bluetooth source.The BLUETOOTH LED INDICATOR flashes blue.

3 On your Bluetooth device, enable Bluetooth and search for Bluetooth devices (refer to the user manual of the device).

4 When [SPK128] is displayed on your device, select it to start pairing and connection. If necessary, enter default password "0000". After successful pairing and connection, the product beeps and the Bluetooth indicator turns solid blue.

Note:

Make sure that your Bluetooth device is compatible with this product.

Before pairing a device with this product, read its user manual for Bluetooth compatibility.


Make sure that Bluetooth function is enabled on your device, and your device is set as visible to all other Bluetooth devices.

Any obstacle between this product and a Bluetooth device can reduce the operational range.

Keep away from any other electronic device that may cause interference.

The operational range between this product and a Bluetooth device is approximately 10 meters.


To disconnect the Bluetooth-enabled device:

- Press and hold  button for three seconds;
- Disable Bluetooth on your device; or
- Move the device beyond the communication range. The product beeps and the bluetooth indicator flashes blue.

To reconnect the Bluetooth-enabled device:

- Next time this product enters Bluetooth mode, it will reconnect the last connected device automatically; or
- On your Bluetooth device, select "" on your Bluetooth menu to start connection.

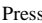
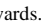
To connect another Bluetooth-enabled device:


1) Press and hold  button for three seconds to disconnect the currently connected device. The product enters Bluetooth pairing mode.

2) Connect another Bluetooth device.

Play from Bluetooth device

After successful Bluetooth connection, press the  button to play audio on the Bluetooth device.

Press  / - or  / + button to skip the tracks backwards or forwards.

To pause or resume play, press  button .

Play from an external device

With this product, you can listen to an external audio device such as an MP3 player.

1) Turn on the unit first by pressing the STANDBY button.

2) Press FUNCTION button repeatedly to select bluetooth source.

3) Connect an audio input cable with a 3.5 mm connector on both ends to the AUX IN JACK on the speaker and the headphone socket on an external device.

4) Play audio on the device (refer to its user manual).

Note: the bluetooth is disconnected automatically once the AUX IN JACK is plugged in.

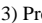
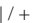
LISTEN TO FM RADIO

Tune to FM radio stations

Note: Keep the product away from other electronic devices to avoid radio interference.

1) Press the STANDBY button to turn on the unit .

2) Press FUNCTION button repeatedly to select FM tuner source. The FM LED INDICATOR turns solid green.

3) Press  / - or  / + button to tunes to a station with strong reception automatically.


4) Repeat step 3 to tune to more radio stations.

Adjust volume

During play, press and hold >>|/+ or |<</- BUTTON for 3 seconds to increase or decrease volume.

Specification:

Power Source : Built-in Li-Polymer rechargeable battery.

Recharge by DC  5V through Micro USB Port

Frequency : FM 87.5-108MHz

BT Effective range : Up to 32 feet in open area

Audio Power : 4.0W THD 10%

Impedance of Speaker : 7W 4 Ohm

This device complies with Part 15 of the FCC Rules. Operation is subject to the following two conditions: (1) This device may not cause harmful interference, and (2) this device must accept any interference received, including interference that may cause undesired operation.

Caution: Changes or modifications not expressly approved by the party responsible for compliance could void the user's authority to operate the equipment.

NOTE: This equipment has been tested and found to comply with the limits for a Class B digital device, pursuant to part 15 of the FCC Rules. These limits are designed to provide reasonable protection against harmful interference in a residential installation. This equipment generates, uses and can radiate radio frequency energy and, if not installed and used in accordance with the instructions, may cause harmful interference to radio communications. However, there is no guarantee that interference will not occur in a particular installation. If this equipment does cause harmful interference to radio or television reception, which can be determined by turning the equipment off and on, the user is encouraged to try to correct the interference by one or more of the following measures:

--Reorient or relocate the receiving antenna.

--Increase the separation between the equipment and receiver.

--Connect the equipment into an outlet on a circuit different from that to which the receiver is connected.

--Consult the dealer or an experienced radio/TV technician for help.