

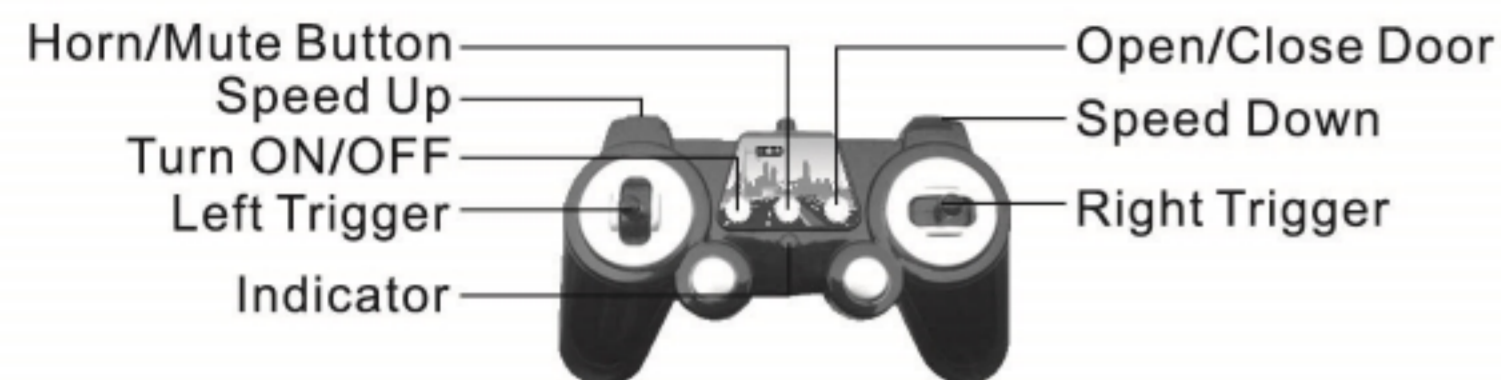
USER MANUAL

Hereby, [DOUBLEEAGLE INDUSTRY (CHINA) LIMITED], declares that this [REMOTE CONTROL CAR SERIES] is in compliance with the essential requirements and other relevant provisions of Directive 2014/53/EU.
The full text of the EU declaration of conformity is available at the following internet address:
www.doublele-group.com



1 Main parameters

Item No.: E635-003
Material: plastic and electronic components
Batteries: Car battery: 4.8V AA rechargeable battery;
Remote controller battery: 2 pcs of 1.5V AA batteries.



2 Battery Installation

1. Open the cover of battery case locates in the back of controller, inserts 2 pcs of 1.5V AA batteries into the battery case, and then screw the cover (Fig 2A).
2. Please screw out the cover at the back of car by screwdriver, open the cover as the arrow showed, insert 1pcs of 4.8 V AA battery, then screw the cover (Fig 2B).



Fig 2A

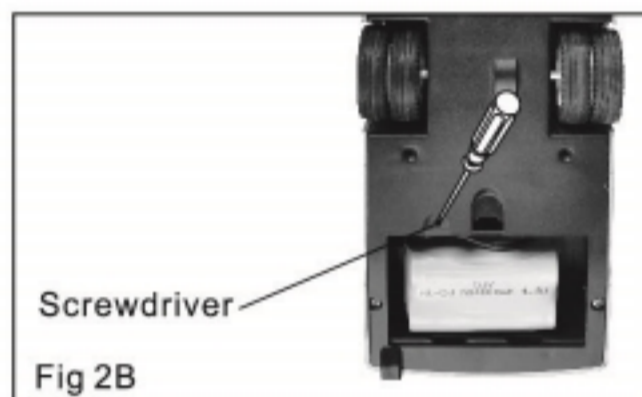
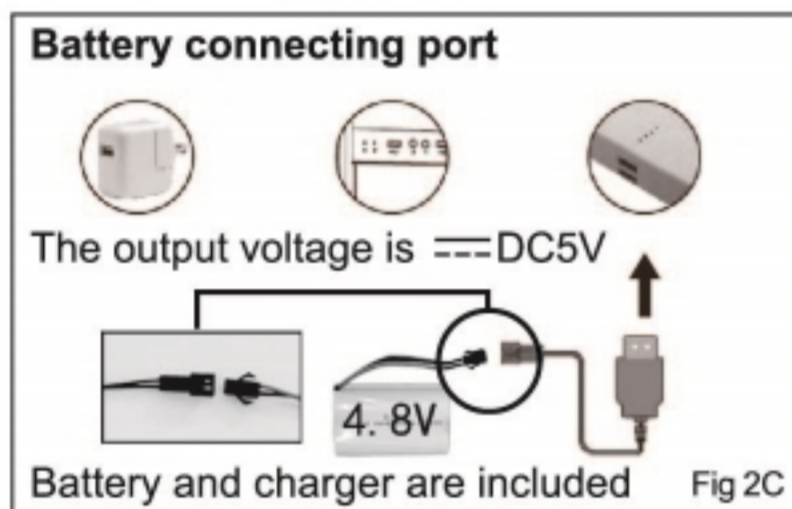


Fig 2B



Battery connecting port

The output voltage is ---DC5V

Battery and charger are included Fig 2C

Notice: Charge the battery for about 4 to 5 hours, but it charges for 8 hours before initial use.

3 2.4G Auto Coding

1. After installing the batteries into the r/c car and remote controller, turn on the power of both, the car is in a state of coding. The auto-coding is successful if the indicator on remote controller turning from slow to quick flashing and then turn off after 1sec.
2. Each remote controller could be only coded with one car. There is no any interference if auto-coding is success.
3. It could be re-auto-coded with other car or remote controller by turning off the power of both.



Fig 3A

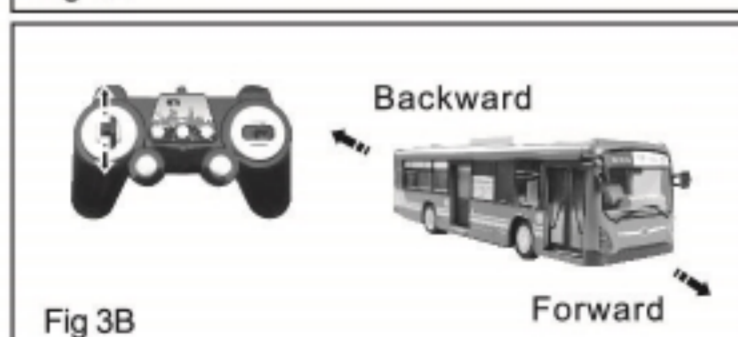


Fig 3B

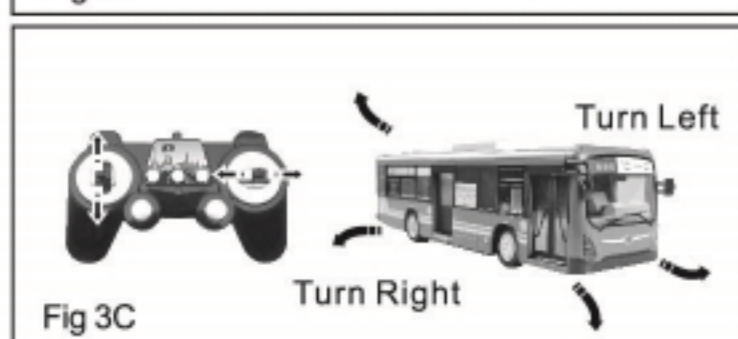


Fig 3C

4 Basic Operation & Functions

1. Turn ON/OFF
 - Press the ON/OFF key, there will be a start-up sound; to press the key again after starting. (Fig 3A)
2. Horn Key
 - To press the Horn Key on remote controller after starting the car, the car would emit a simulated sound.
3. Forward/Backward
 - To push the Left Handle forward/backward, the car would go forward/backward. (Fig 3B)

4. Turn Left/Right

- To push the Left Handle forward/backward, Right Handle turns left/right, the car would turn left/right. (Fig 3C).

5. Remote controlled opening door

- After turning on the car, to press the Open/Close key on the remote controller, the door could be opened /closed.

6. Function of Speed up

- When driving the bus, to press the key of Speed Up, the speed would change to a fast Level with a reminding sound of Di. When the speed is at fastest Level in fourth, there is not any speed changed or reminding sound even to press the key of Speed Up.

7. Function of Speed-down

- When driving the bus, to press the key of Speed Down, the speed would change to a slow Level with a reminding sound of Di. When the speed is at slowest level in fourth, there is not any speed changed or reminding sound even to press the key of Speed Down.

These functions could be multiple used for simulating operation.

5 Advanced Functions

1. Braking Function

- When the car goes forward/backward, to change the direction directly, the car would be with braking sound and motion.

2. Multi-playing function

- The product is remote controlled by 2.4GHz, so many cars could be played together by players.

6 Recharging

Notice: Please push the power switch to "OFF" position if the product will not be used for a long time. Take the batteries out of the remote controller and the truck for storing. Please charge the battery for 4 to 5 hours, 8 hours for initial use.

7 Notice

1. Don't play the toy on the road, select a safe place for operating to avoid dangerous.
2. Plays the toy in water may cause short-circuit damage. Please use the dry cloth to clean the car.
3. If abnormal speed or reaction, it may be because of insufficient battery power, please charge the battery.
4. The batteries should be charged under adult supervision. Please use the batteries recommended.
5. Please install the battery in a correct polarity.
6. Do not mix new and old batteries together, short-circuited.
7. Please charge the battery before initial use.
8. Please check the plug, case and other units of charger regularly to make sure that it is not broken. Don't use again if you find abnormality of the charger.
9. Please do not connect the product to different performance power.

Manufacturer: Doubleeagle Industry(China)Limited.
Address: Xingda Industrial Park , Chenghai
District, Shantou City, Guangdong Province , China.

Importer: JAMARA e.K.

Address: Inh .Manu el Natterer

Am Lauerbuhl5-DE-88317 Aichstetten Germany
CHOKING HAZARD-small parts , not for children under 3 years.

changes or modifications not expressly approved by the party responsible for compliance could void the user's authority to operate the equipment. This equipment has been tested and found to comply with the limits for a Class B digital device, pursuant to Part 15 of the FCC Rules. These limits are designed to provide reasonable protection against harmful interference in a residential installation. This equipment generates, uses and can radiate radio frequency energy and, if not installed and used in accordance with the instructions, may cause harmful interference to radio communications.

However, there is no guarantee that interference will not occur in a particular installation.

If this equipment does cause harmful interference to radio or television reception, which can be determined by turning the equipment off and on, the user is encouraged to try to correct the interference by one or more of the following measures:

- Reorient or relocate the receiving antenna.
- Increase the separation between the equipment and receiver.
- Connect the equipment into an outlet on a circuit different from that to which the receiver is connected.
- Consult the dealer or an experienced radio/TV technician for help.

MODIFICATION: Any changes or modifications not expressly approved by the grantee of this device could void the user's authority to operate the device.

OPERATING FREQUENCY	2405MHz ~ 2475MHz
EIRP (MAX.)	-8.63dBm