



Hereby, DOUBLEEAGLE INDUSTRY (CHINA)LIMITED, declares that this BUILDING BLOCK SERIES is in compliance with the essential requirements and other relevant provisions of Directive 2014/53/EU.

The full test of the EU declaration of conformity is available at the following internet address:www.doublele-group.com

OPERATING FREQUENCY	2405MHz ~ 2475MHz
EIRP (MAX.)	-39.27dBm

This device complies with Part 15 of the FCC Rules. Operation is subject to the following two conditions: (1) this device may not cause harmful interference, and (2) this device must accept any interference received, including interference that may cause undesired operation...

Note: This equipment has been tested and found to comply with the limits for a Class B digital device, pursuant to Part 15 of the FCC Rules. These limits are designed to provide reasonable protection against harmful interference in a residential installation. This equipment generates, uses and can radiate radio frequency energy and, if not installed and used in accordance with the instructions, may cause harmful interference to radio communications. However, there is no guarantee that interference will not occur in a particular installation...

If this equipment does cause harmful interference to radio or television reception, which can be determined by turning the equipment off and on, the user is encouraged to try to correct the interference by one or more of the following measures:

- Reorient or relocate the receiving antenna...
- Increase the separation between the equipment and receiver...
- Connect the equipment into an outlet on a circuit different from that to which the receiver is connected...
- Consult the dealer or an experienced radio/TV technician for help...

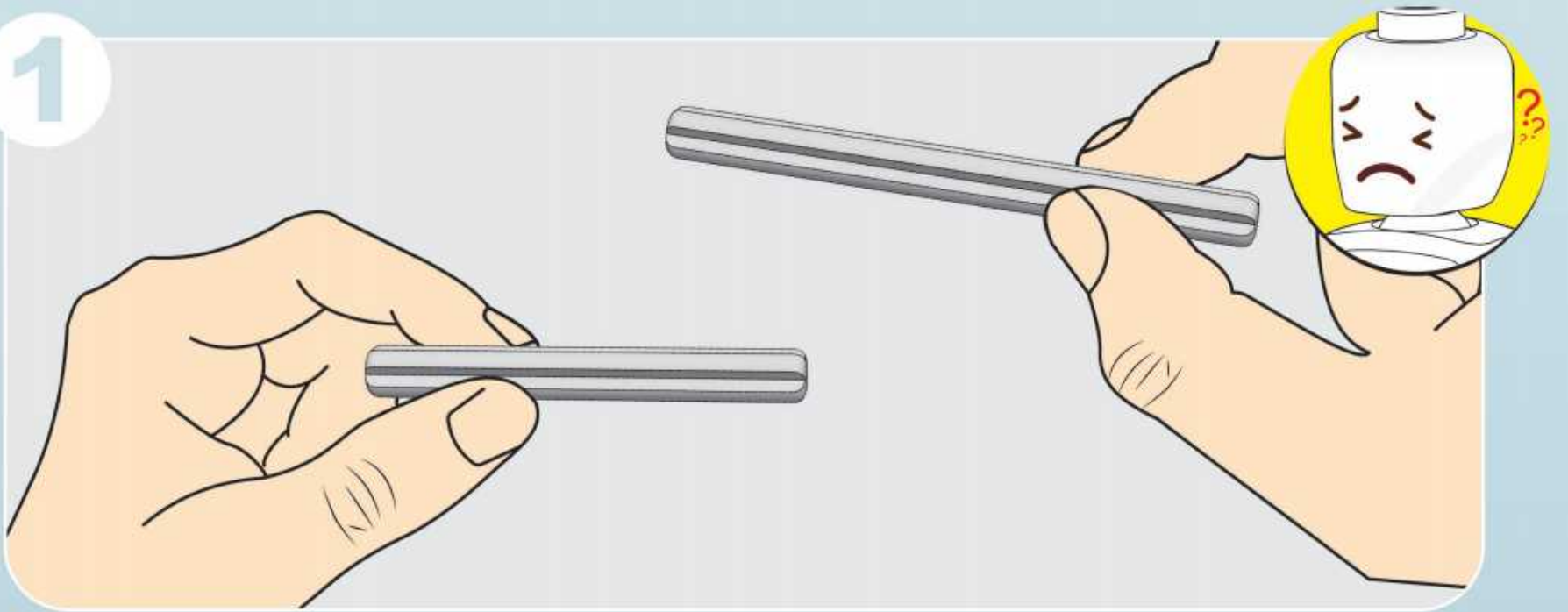
Caution: Changes or modifications not expressly approved by the party responsible for compliance could void the user's authority to operate the equipment...

This equipment complies with FCC radiation exposure limits set forth for an uncontrolled environment. This transmitter must not be co-located or operating in conjunction with any other antenna or transmitter...

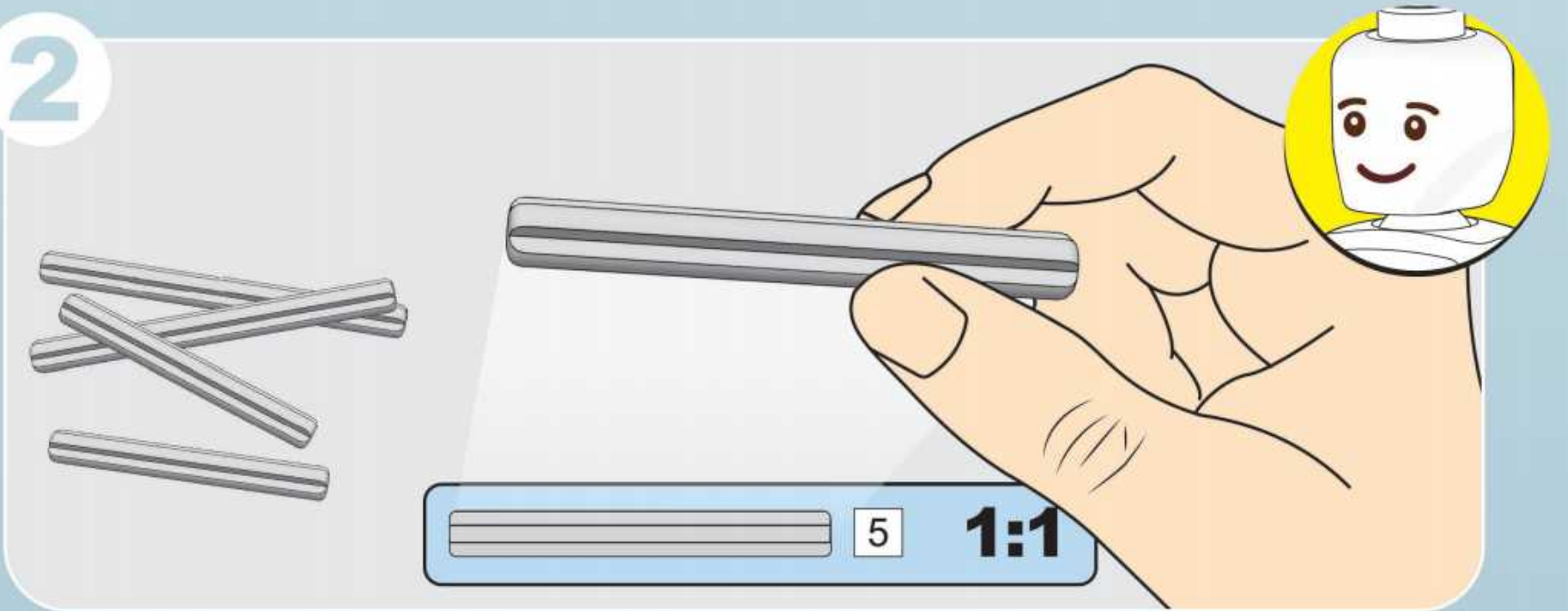
1. Pull the left joystick of the remote control forward (backward) to move the vehicle forward (backward); 2. Pull the left joystick of the remote control forward (backward), pull the right joystick to the left (right), and the vehicle will turn left (right)

Designer: Suhwan Ji

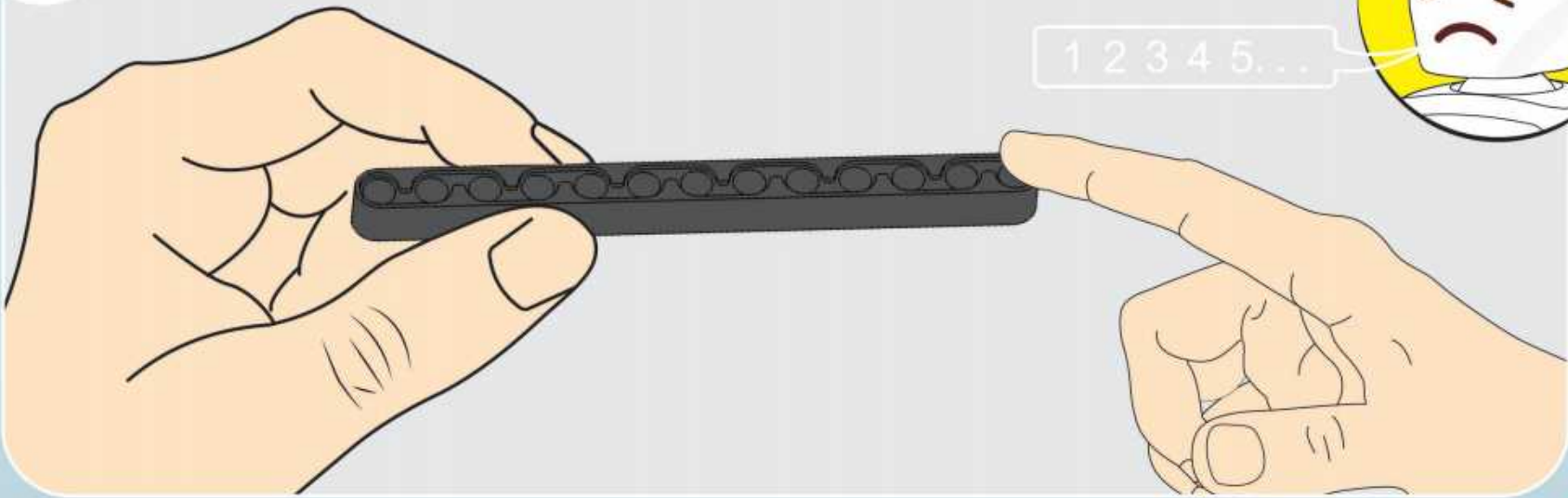
1



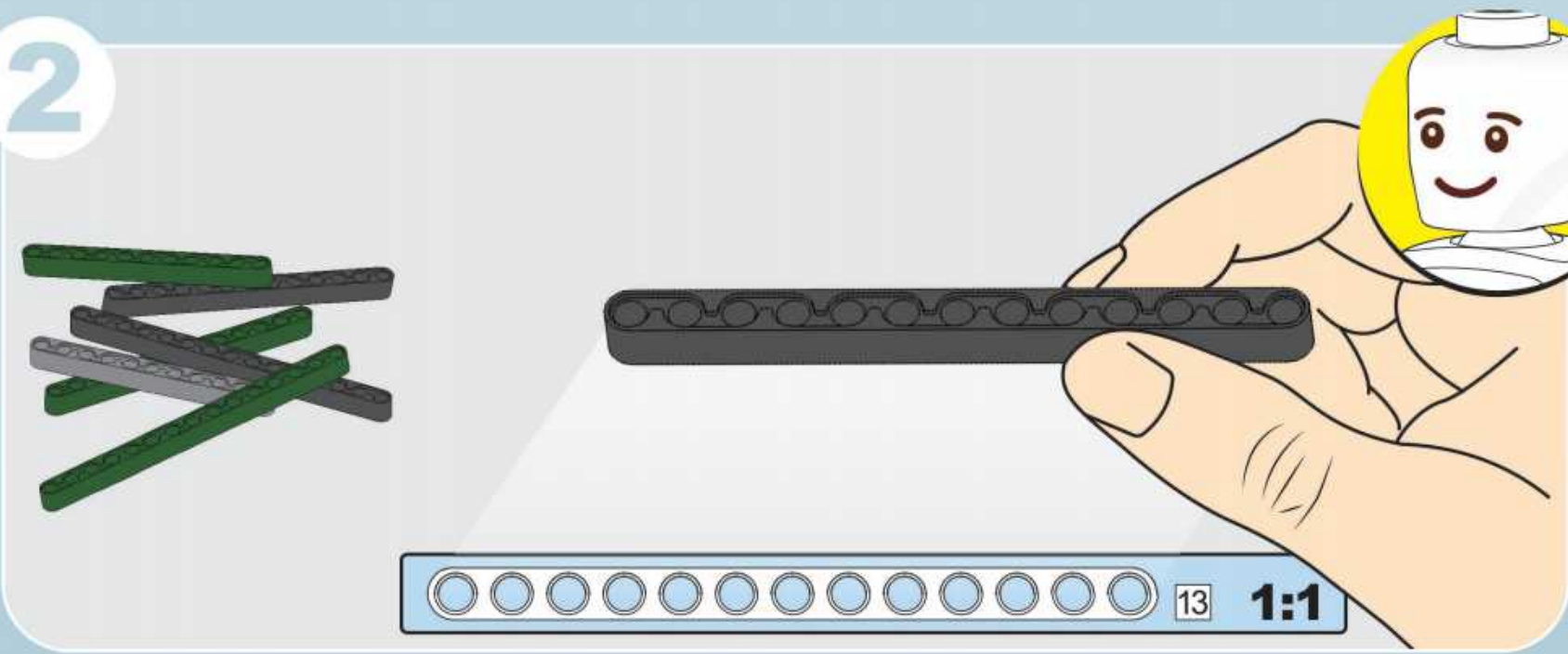
2

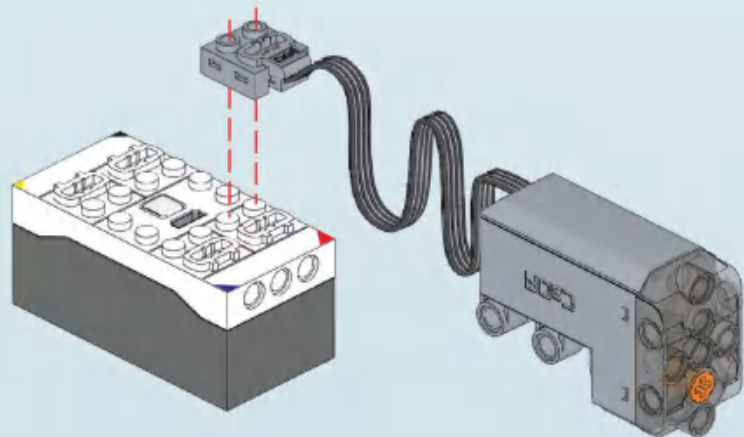
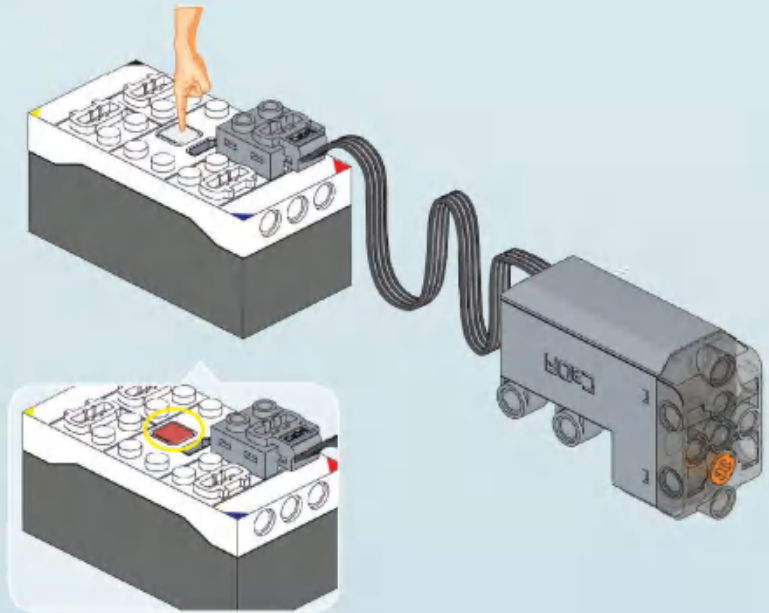
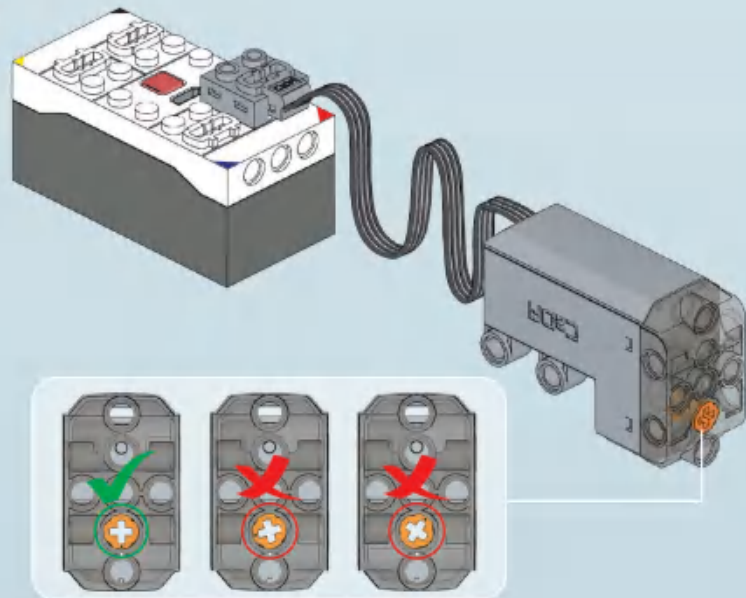
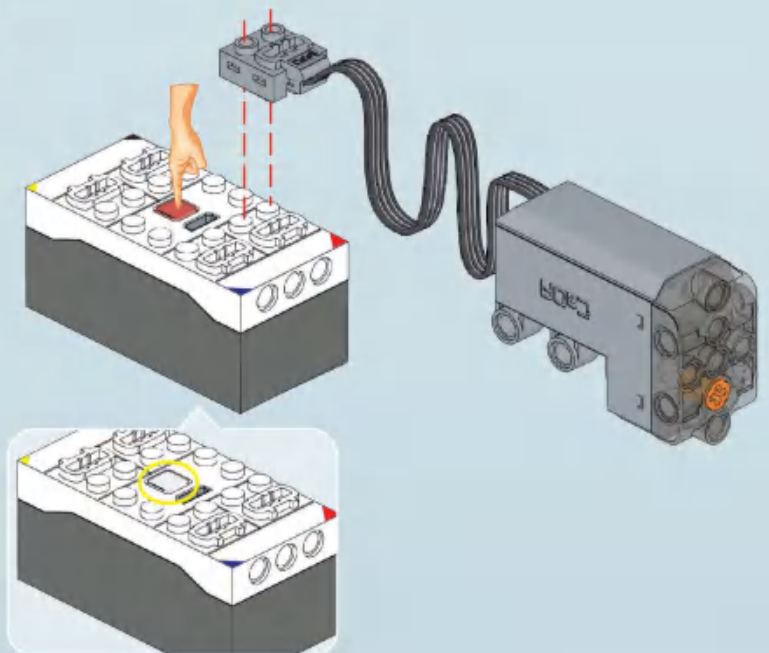


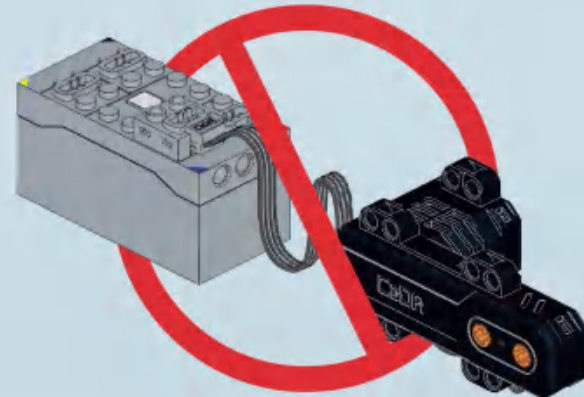
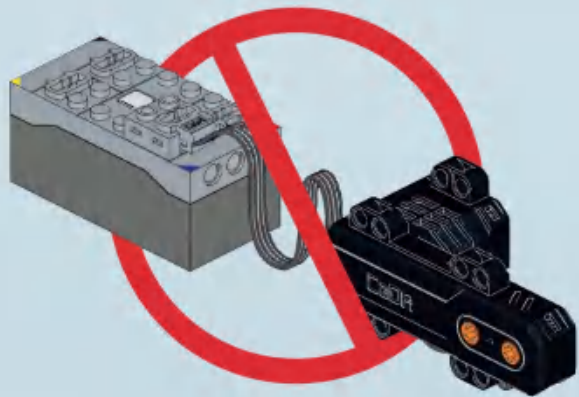
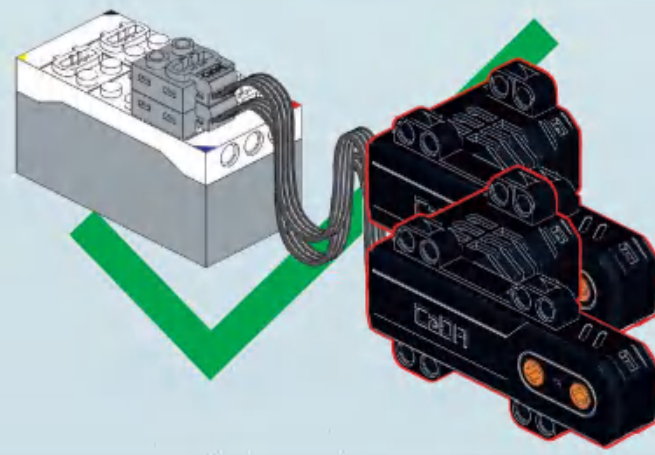
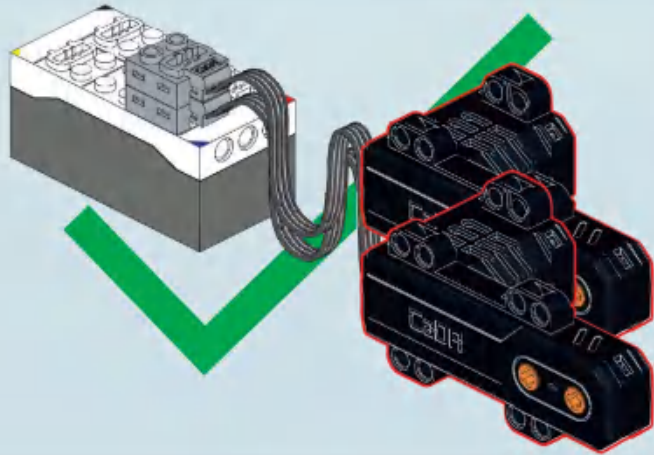
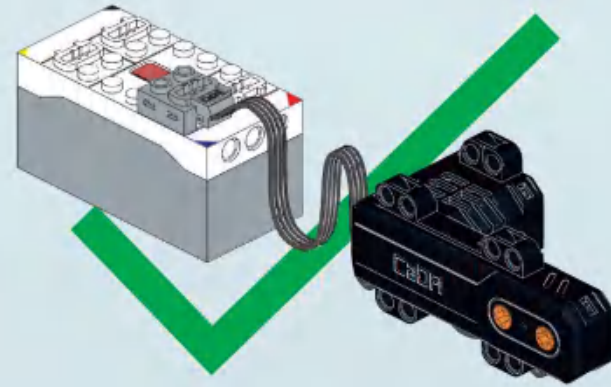
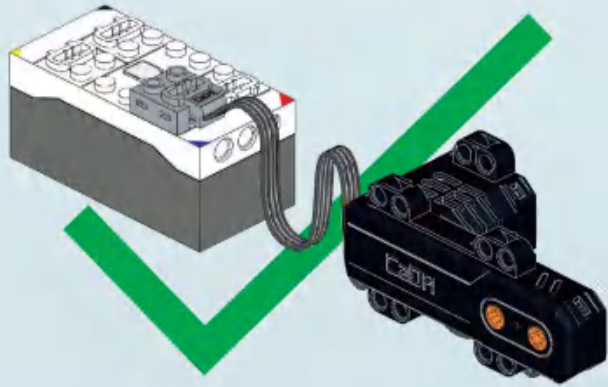
1

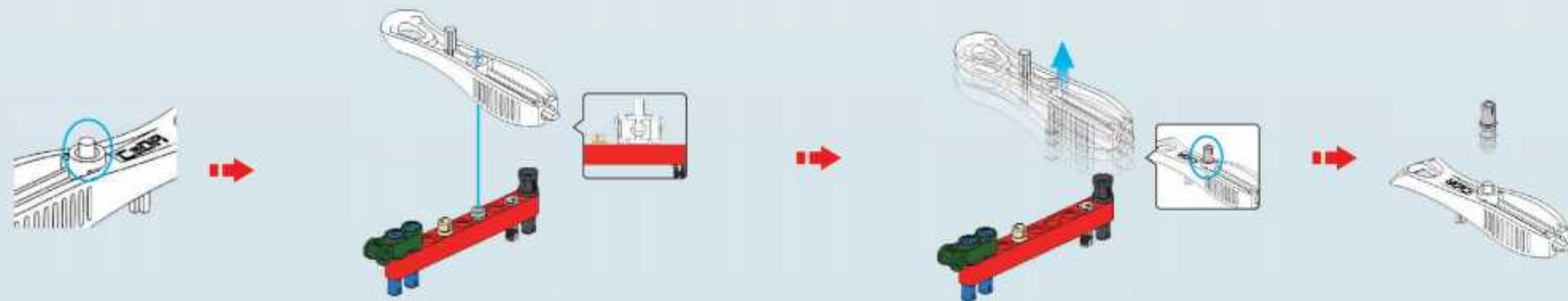
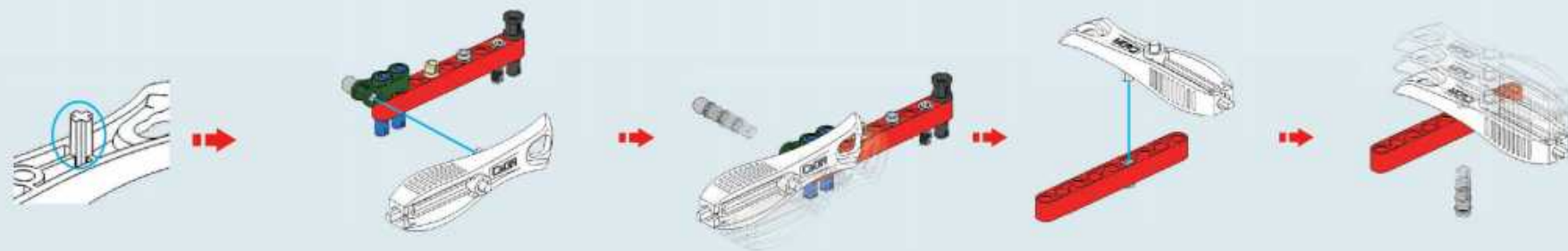
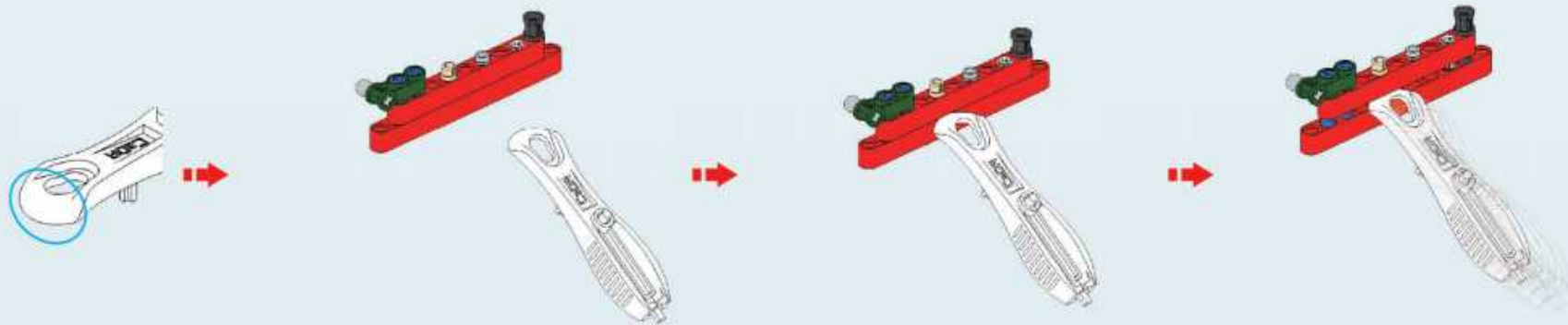


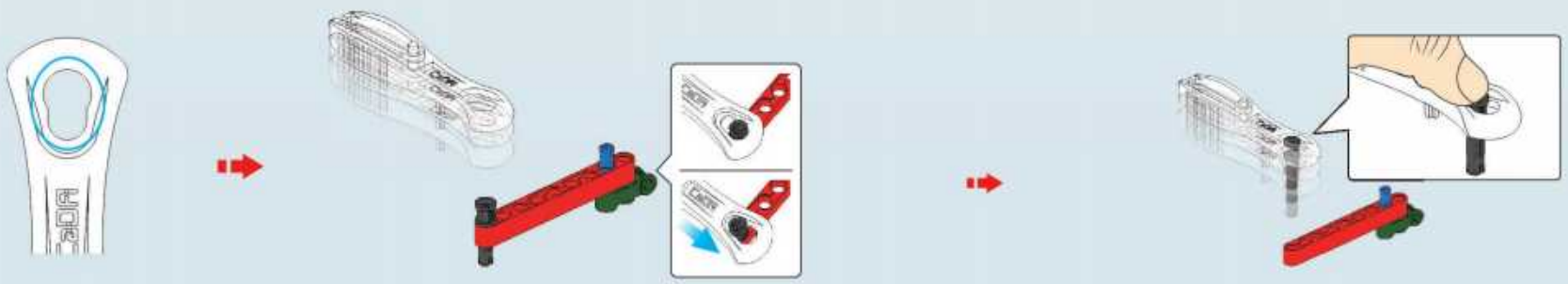
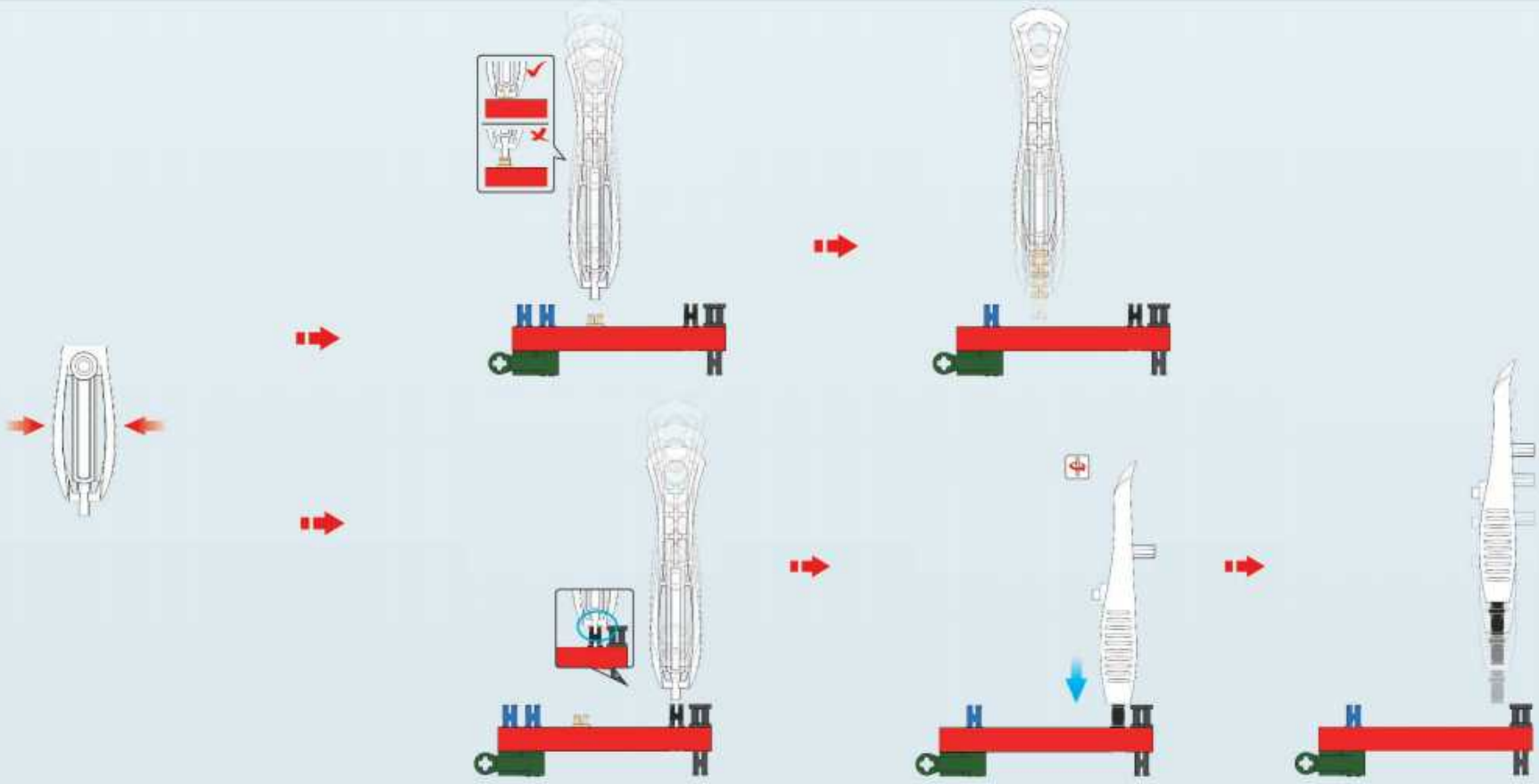
2



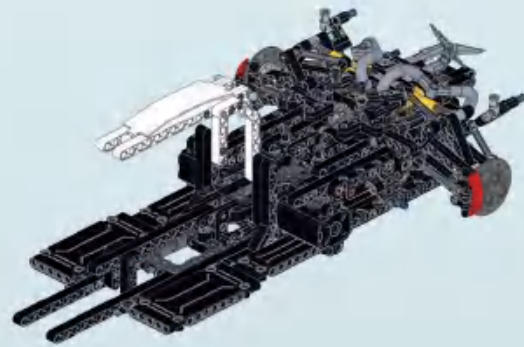
1**2****3****4**



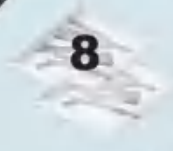




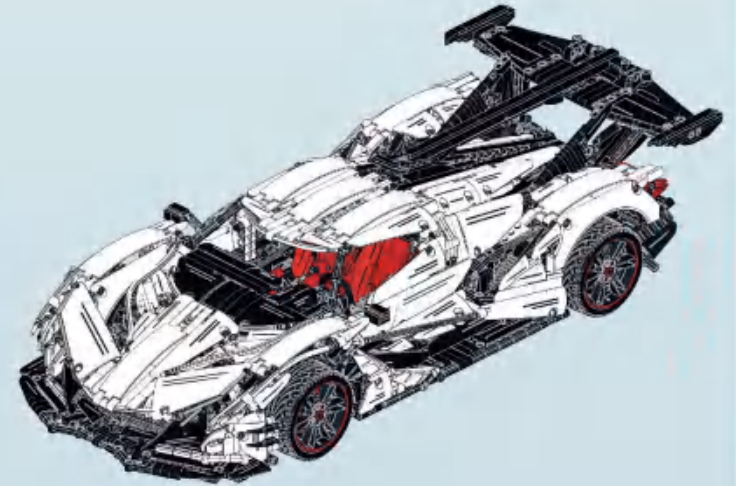
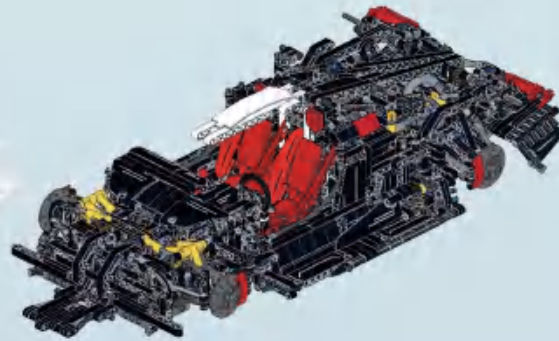
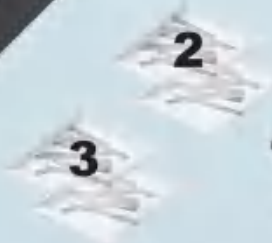
1



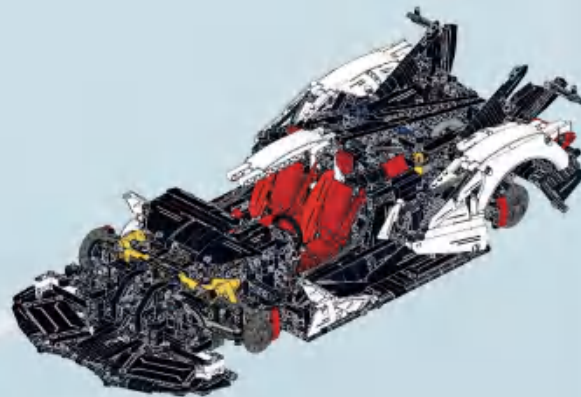
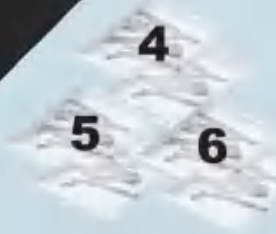
4



2



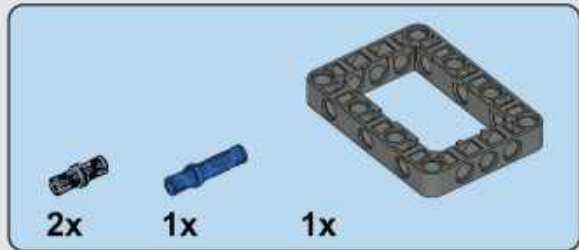
3



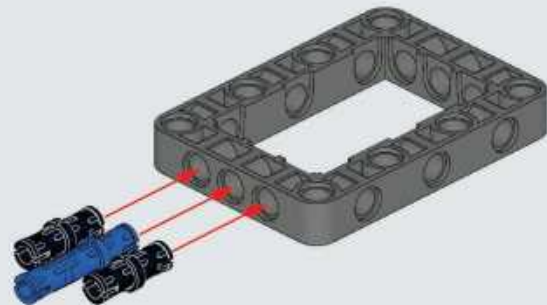
5



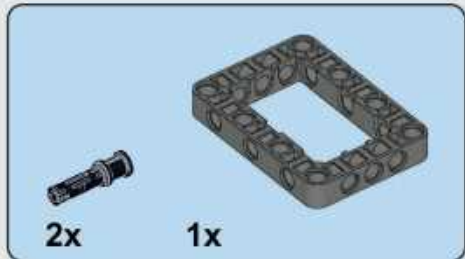
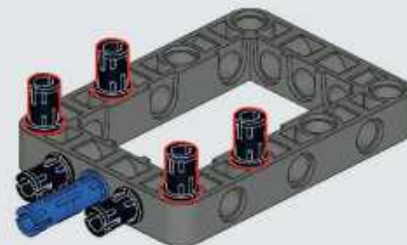
A



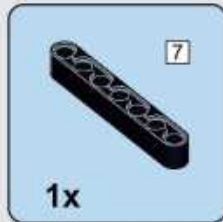
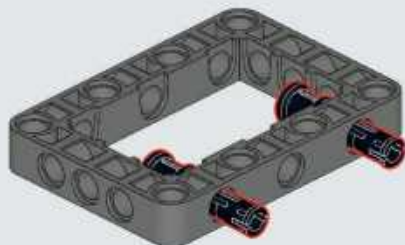
A1



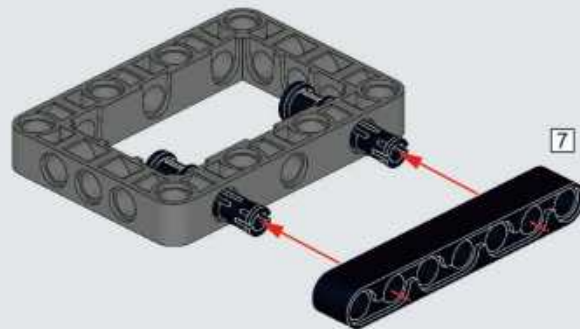
A2



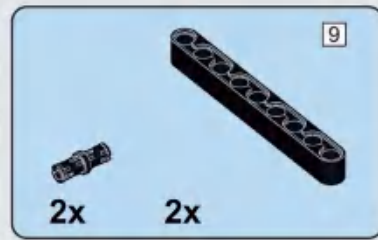
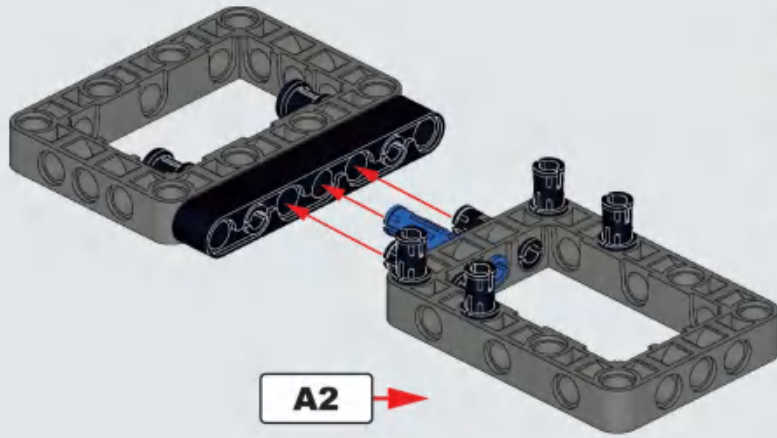
A3



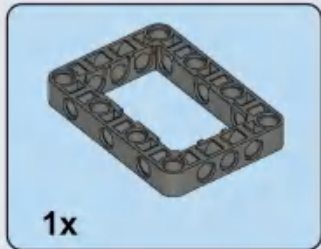
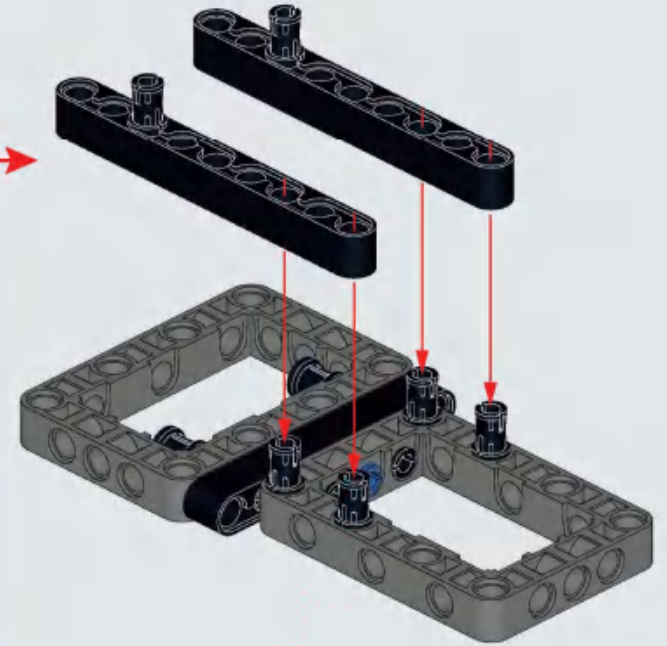
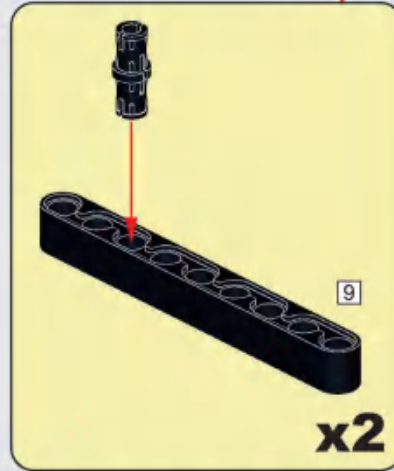
A4



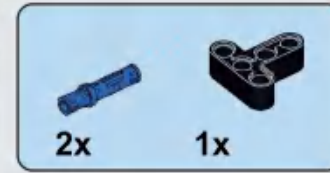
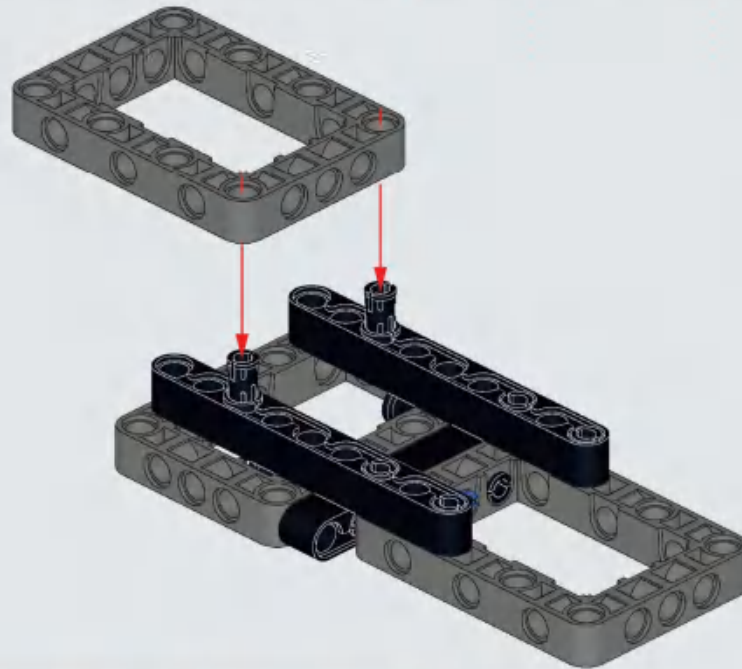
A5



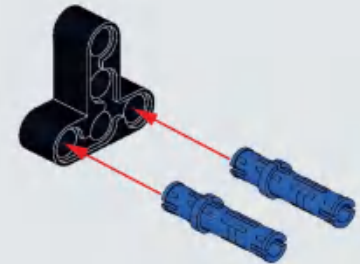
A6



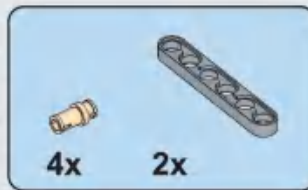
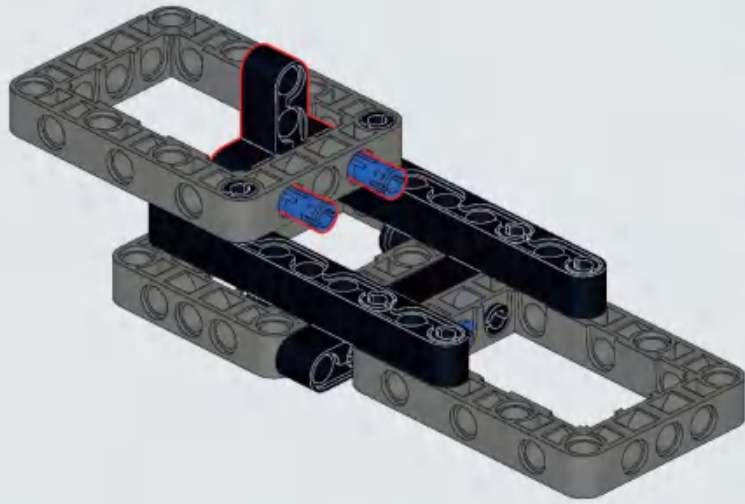
A7



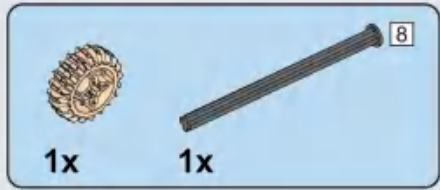
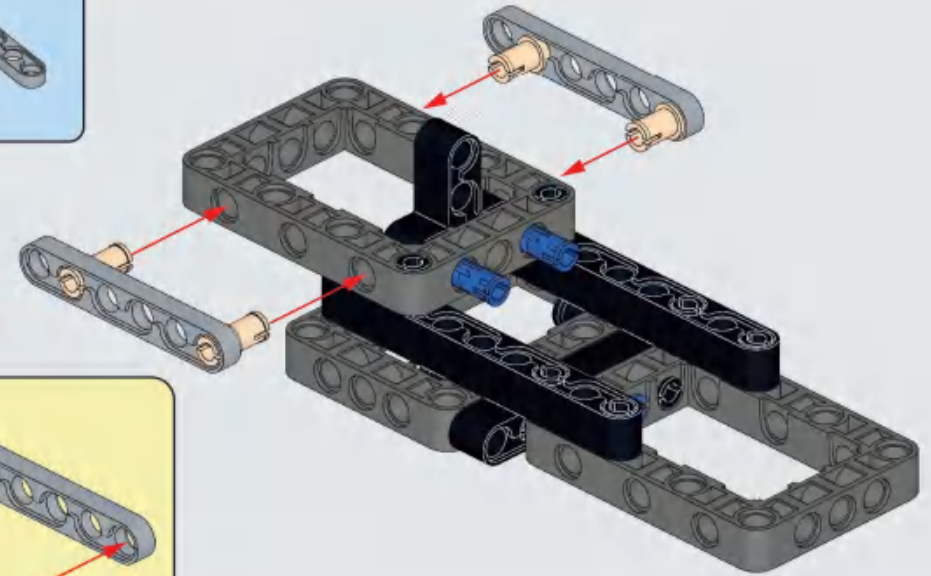
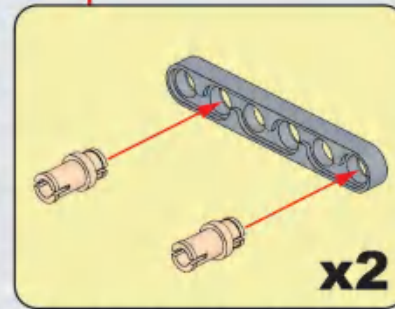
A8



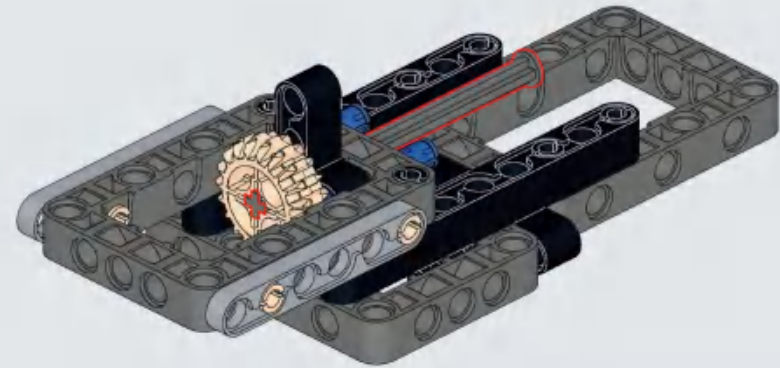
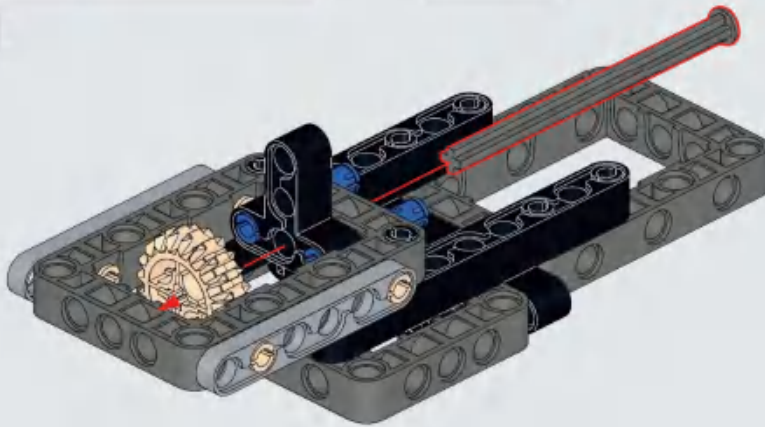
A9



A10

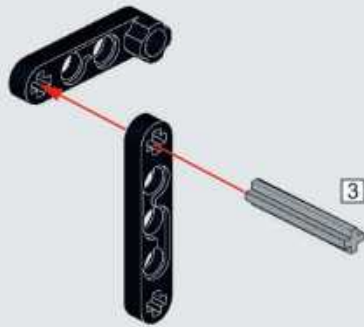


A11

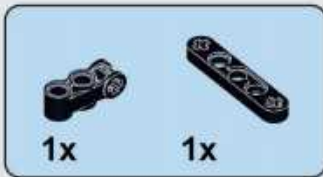
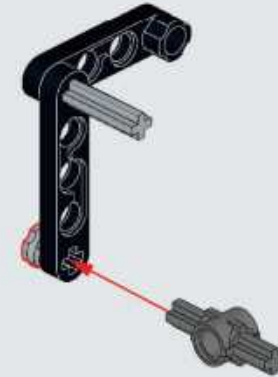




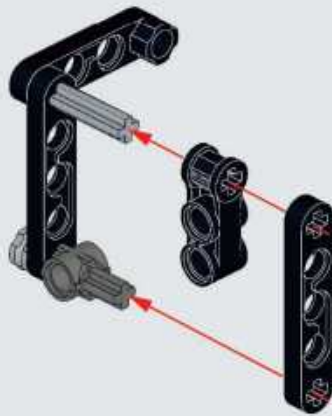
A12



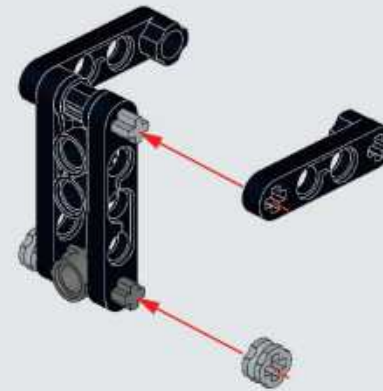
A13

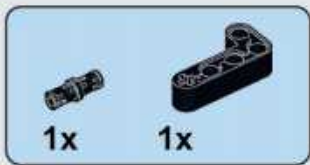


A14

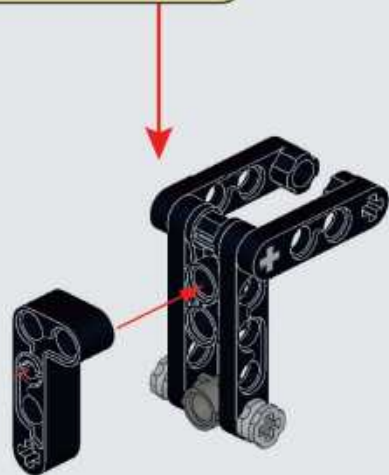
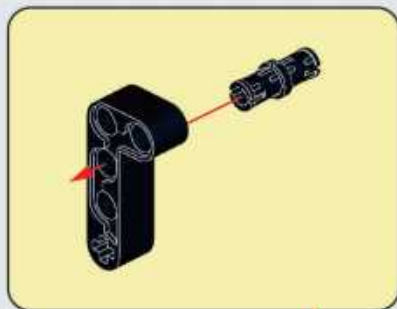


A15

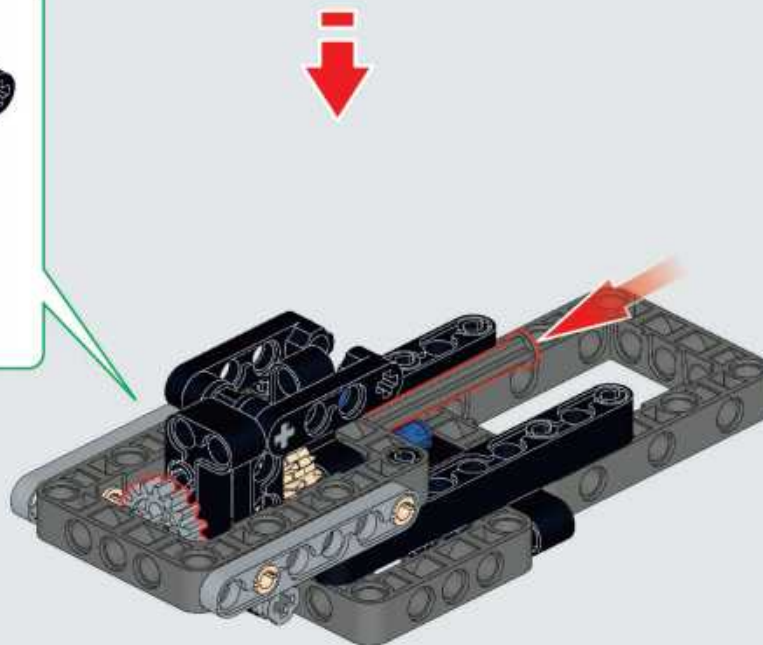
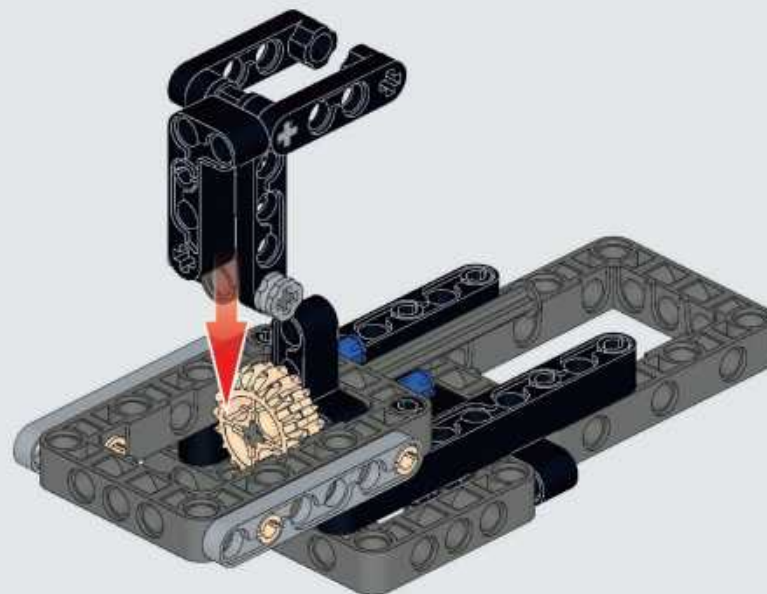


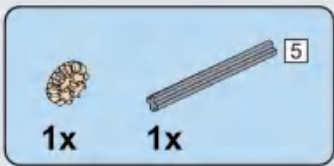


A16

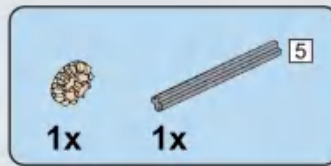
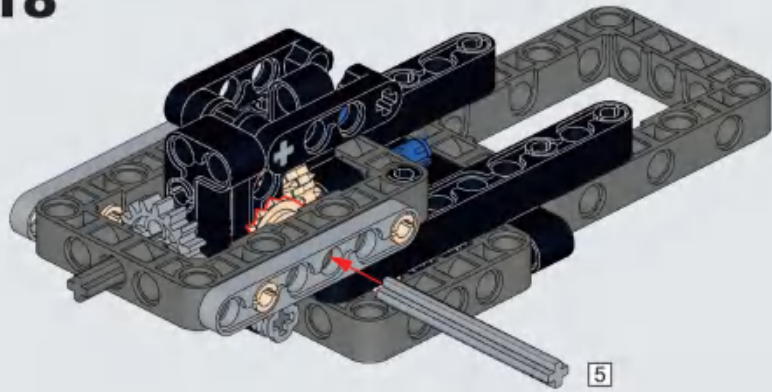


A17

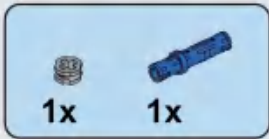
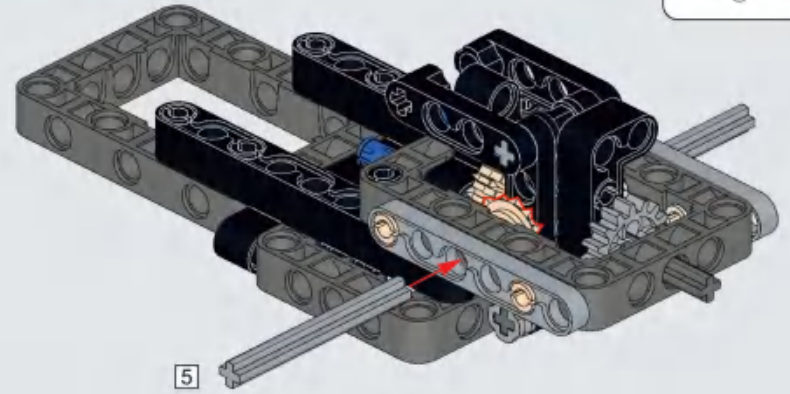




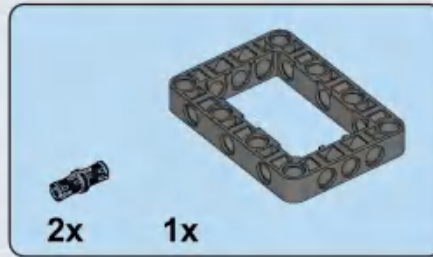
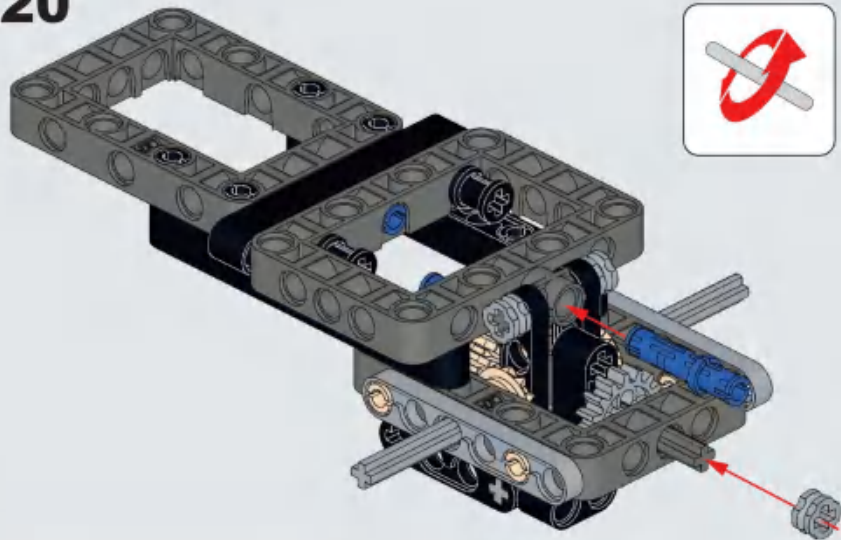
A18



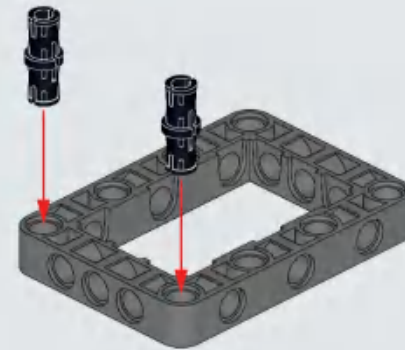
A19



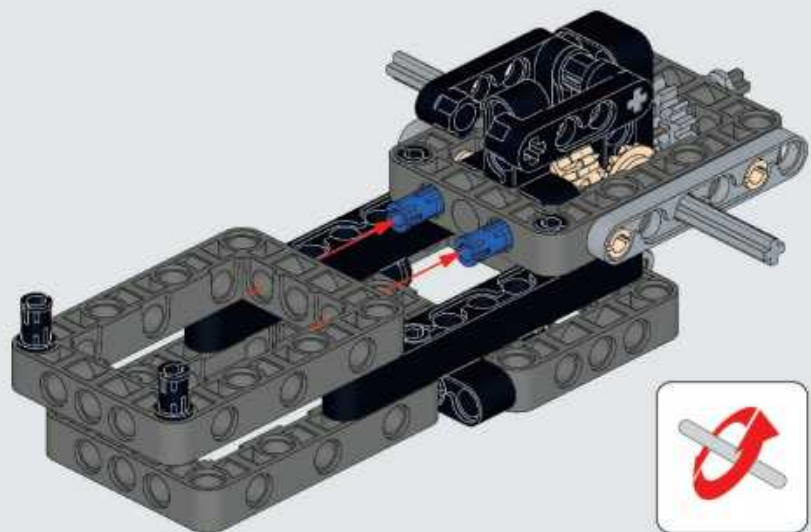
A20



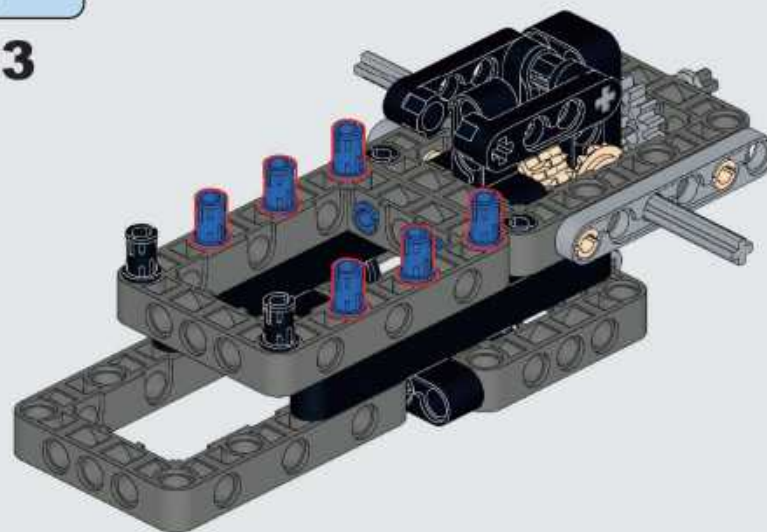
A21



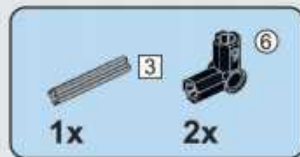
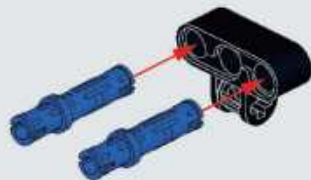
A22



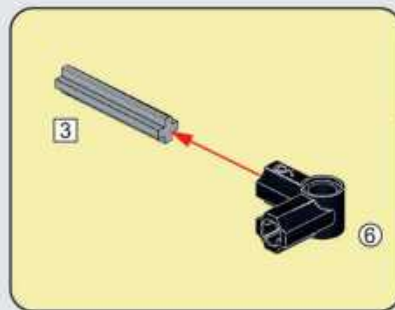
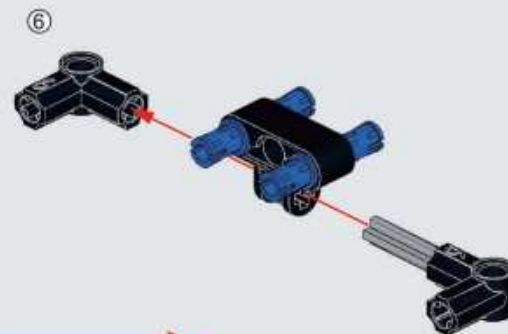
A23



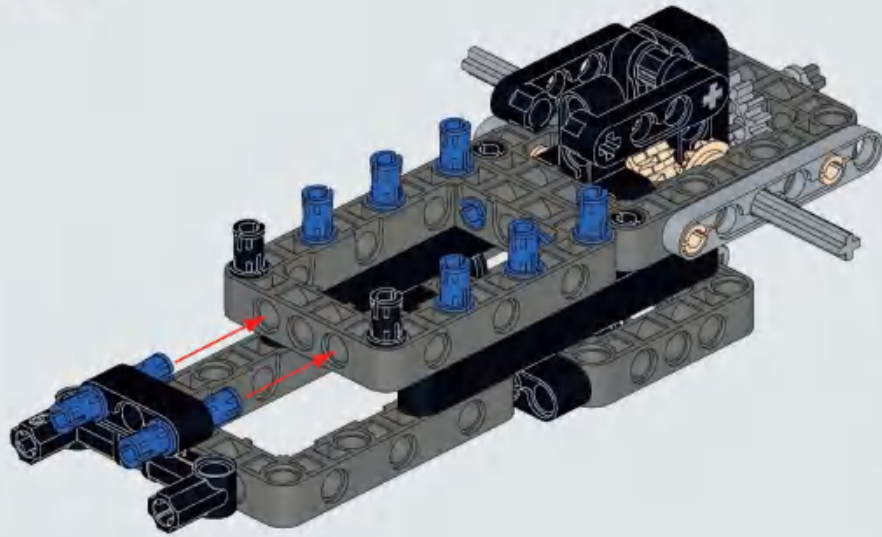
A24



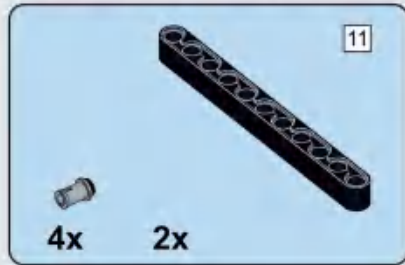
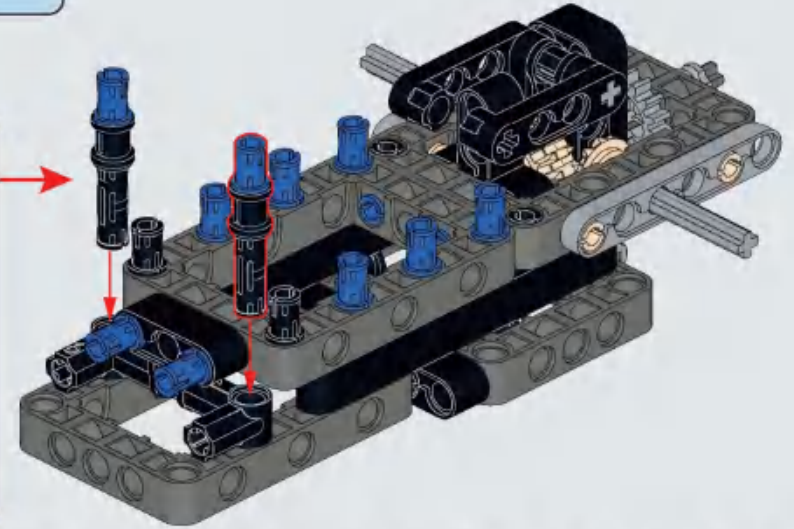
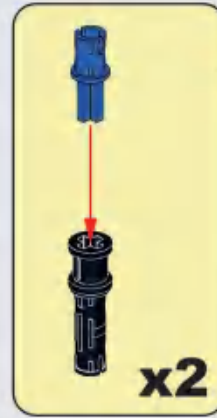
A25



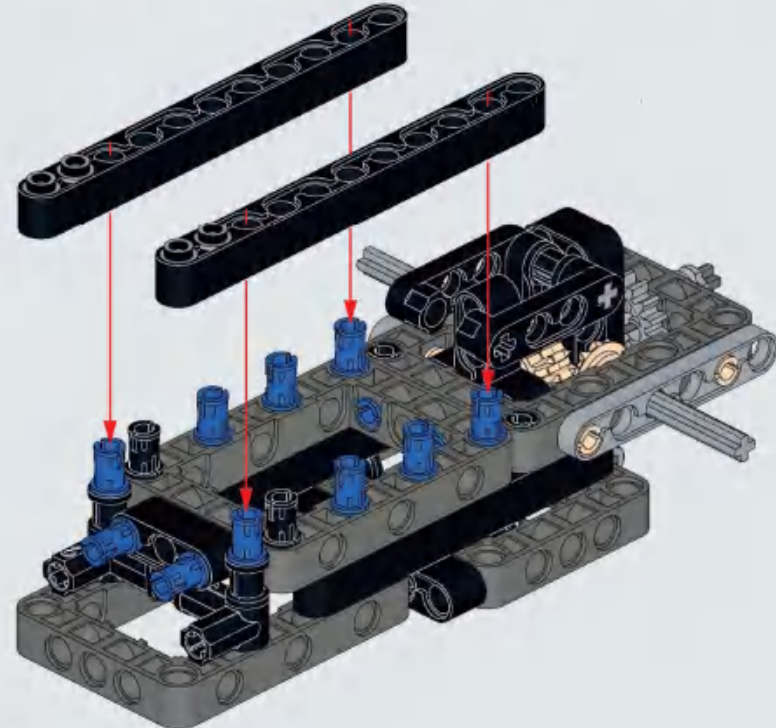
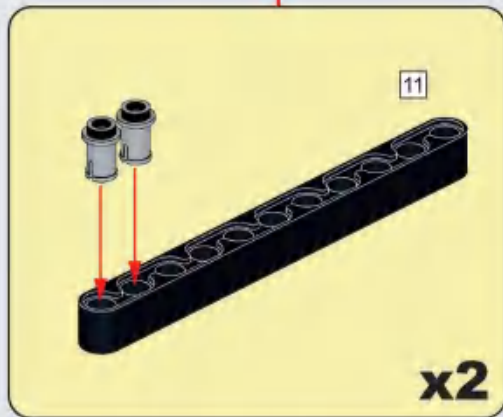
A26



A27

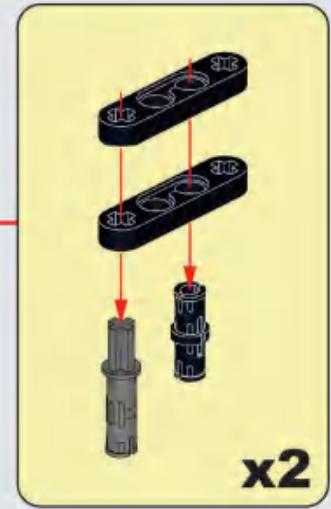
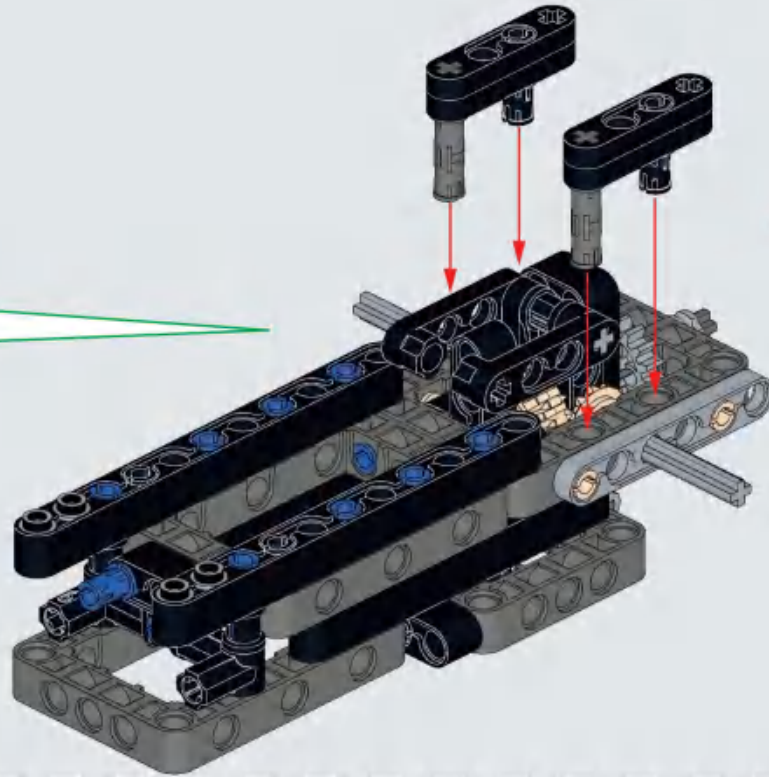
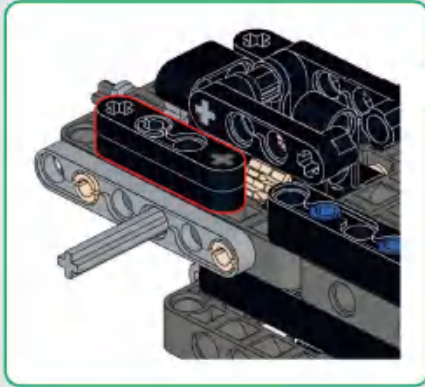


A28

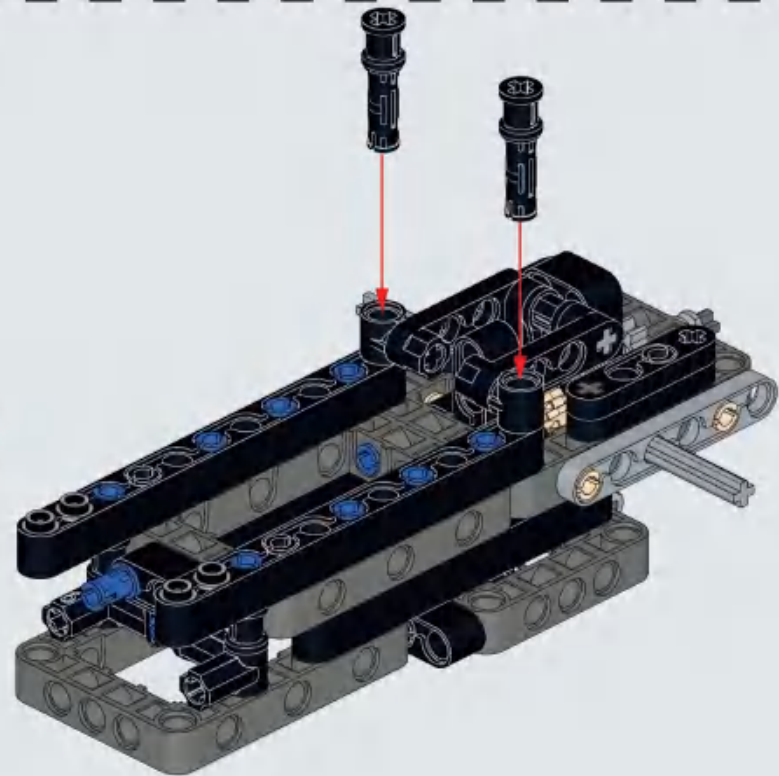
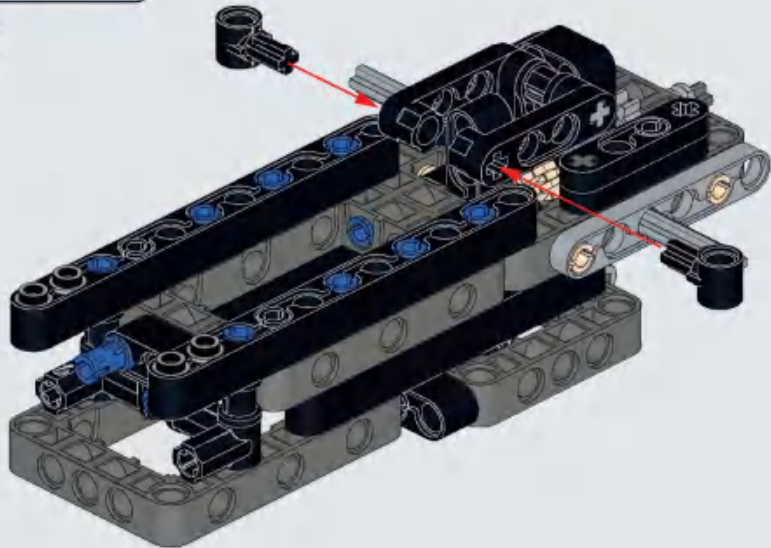


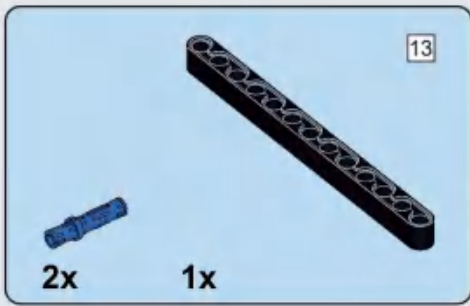


A29

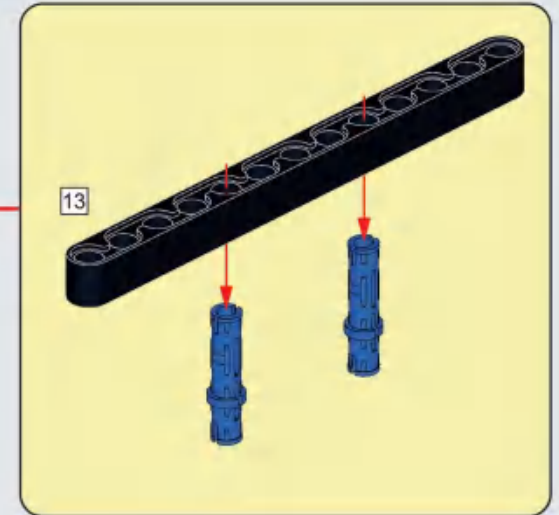
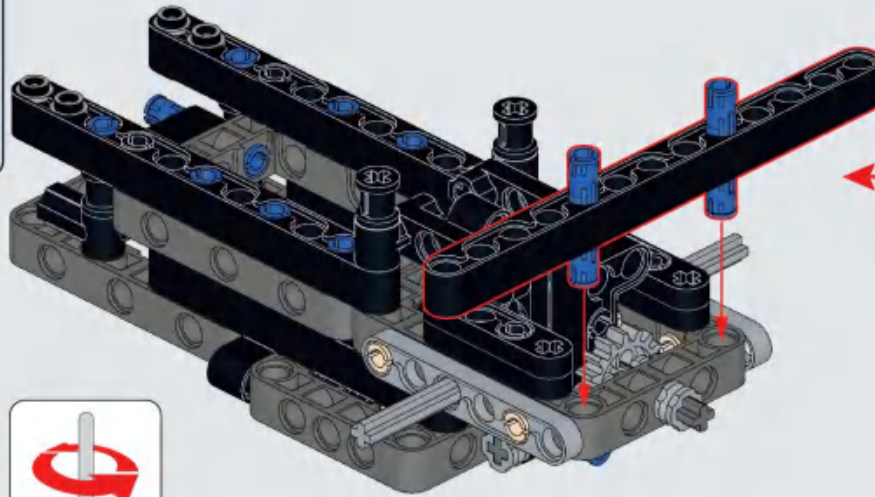


A30

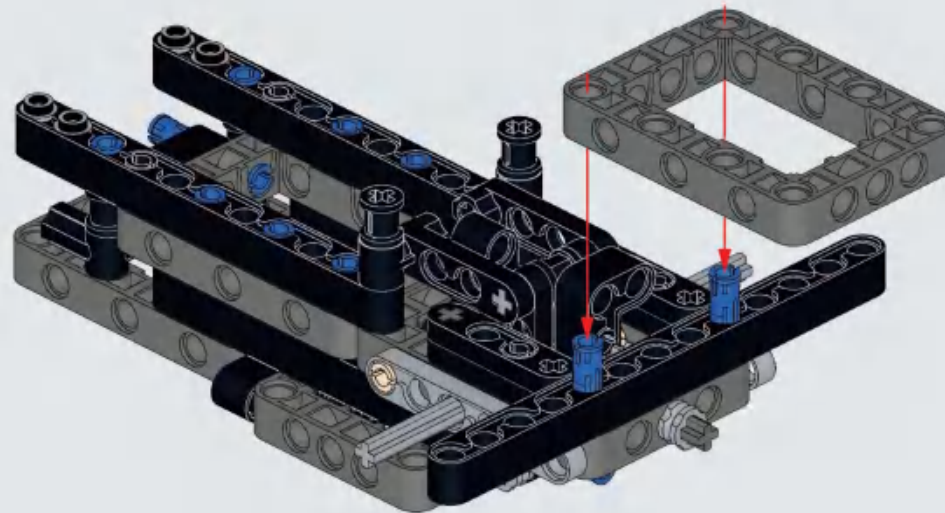




A31

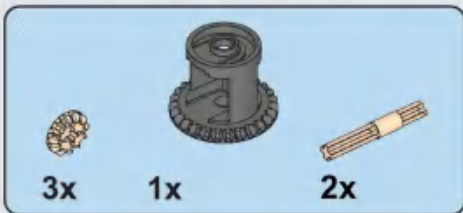
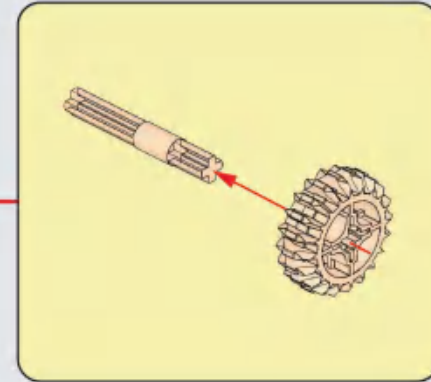
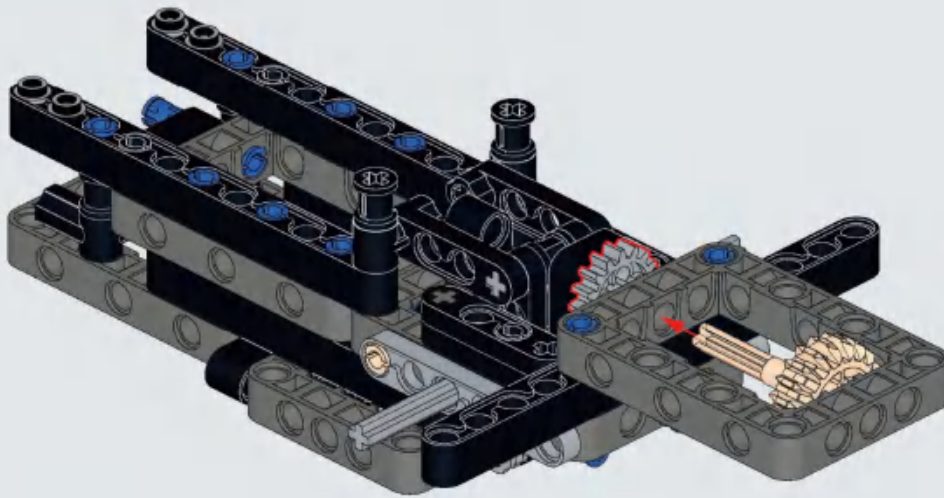


A32

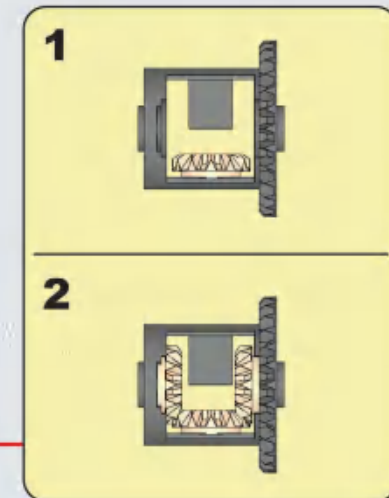
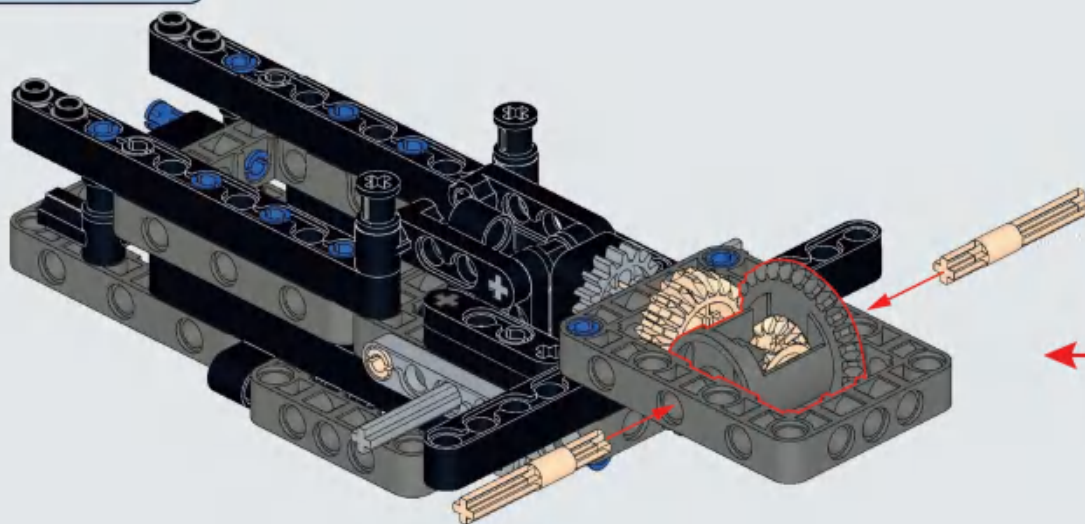


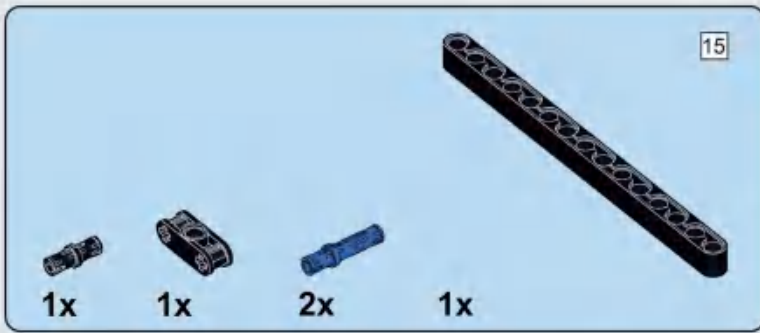


A33

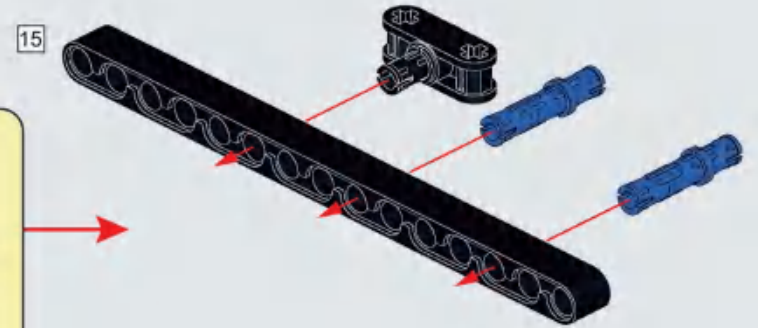
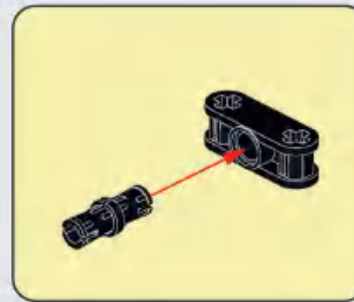


A34

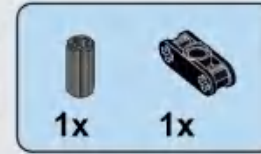
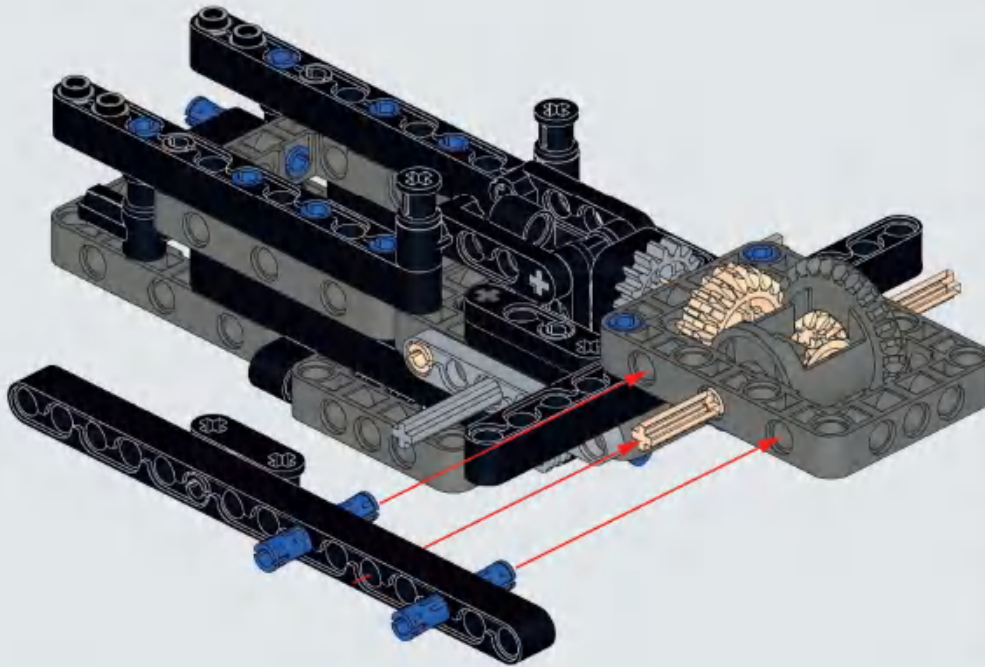




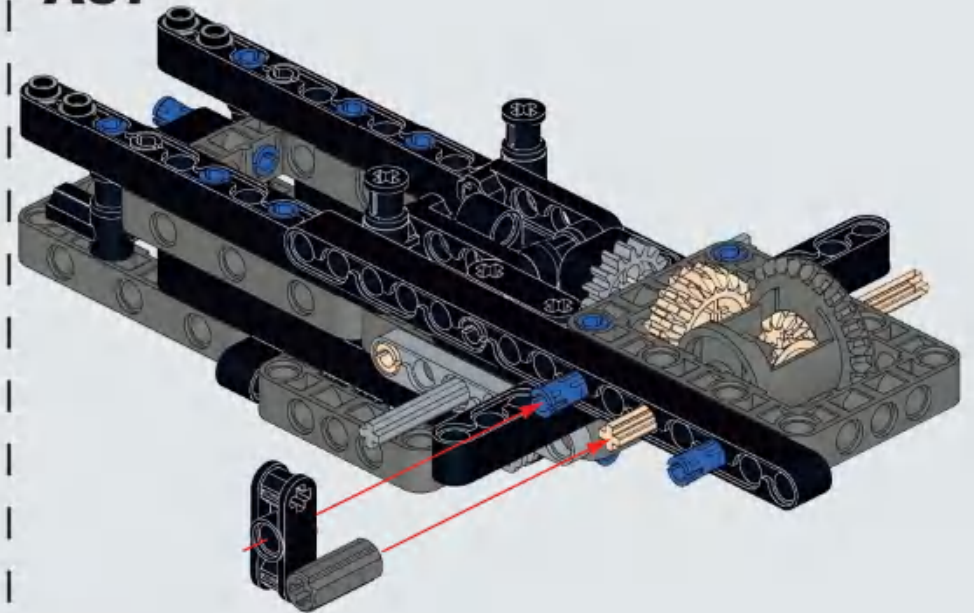
A35



A36

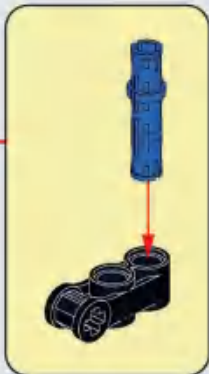
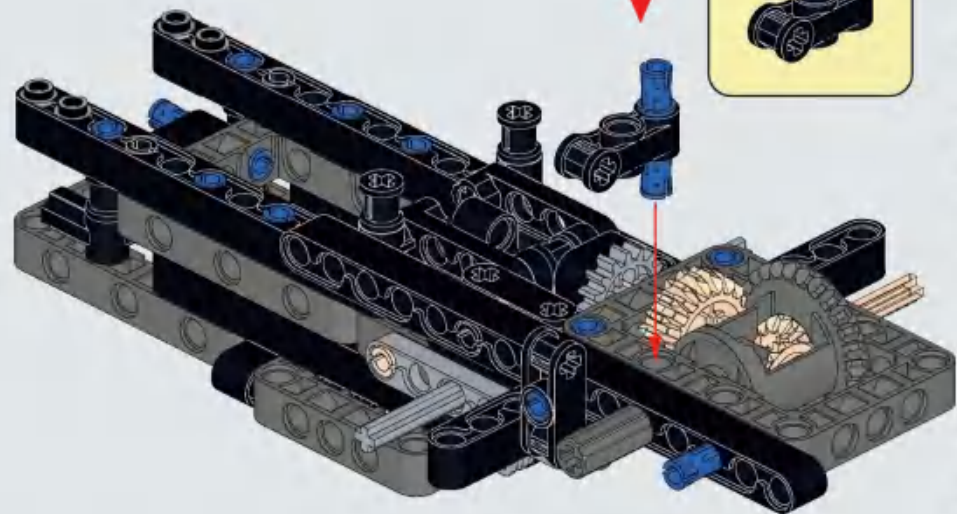


A37

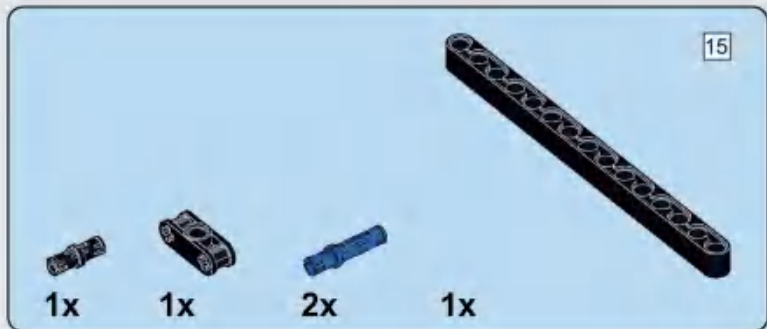
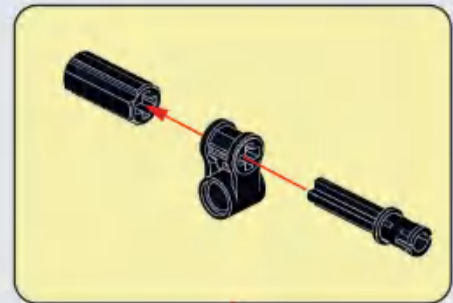
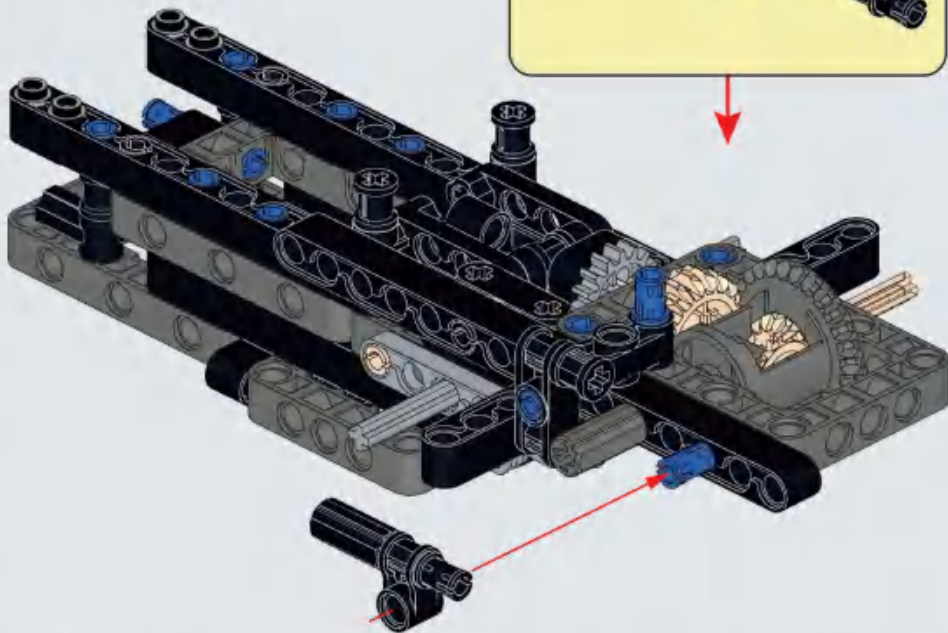




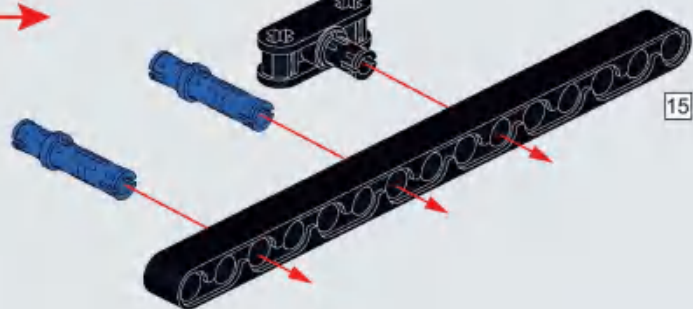
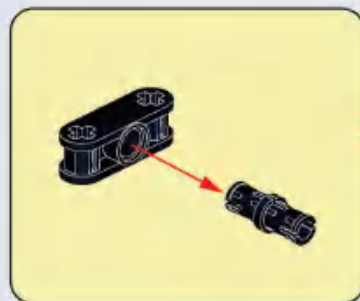
A38



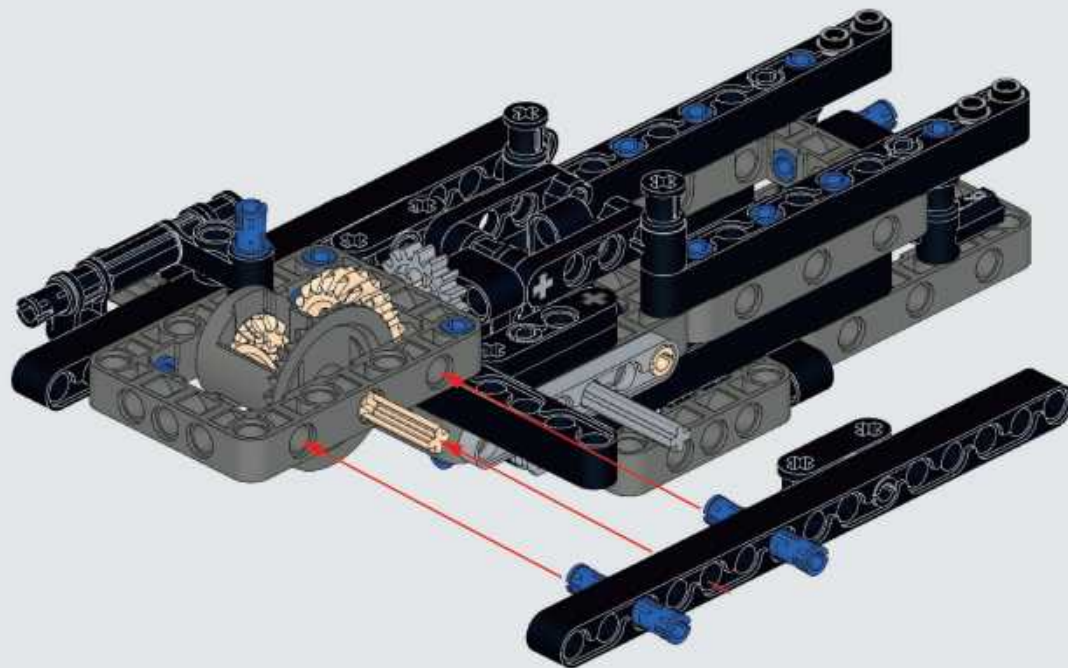
A39



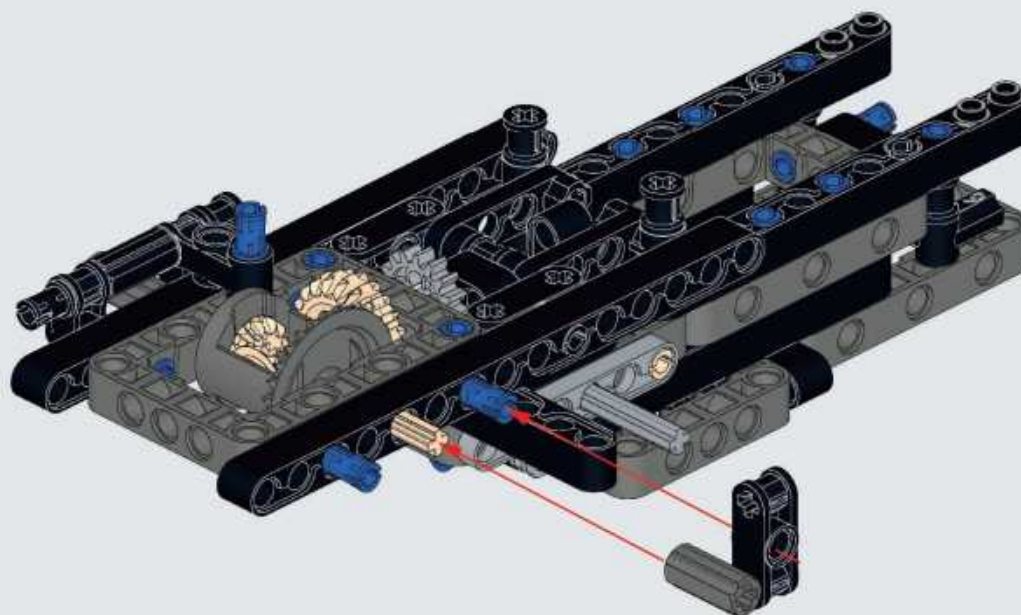
A40

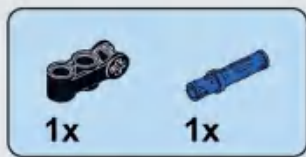


A41

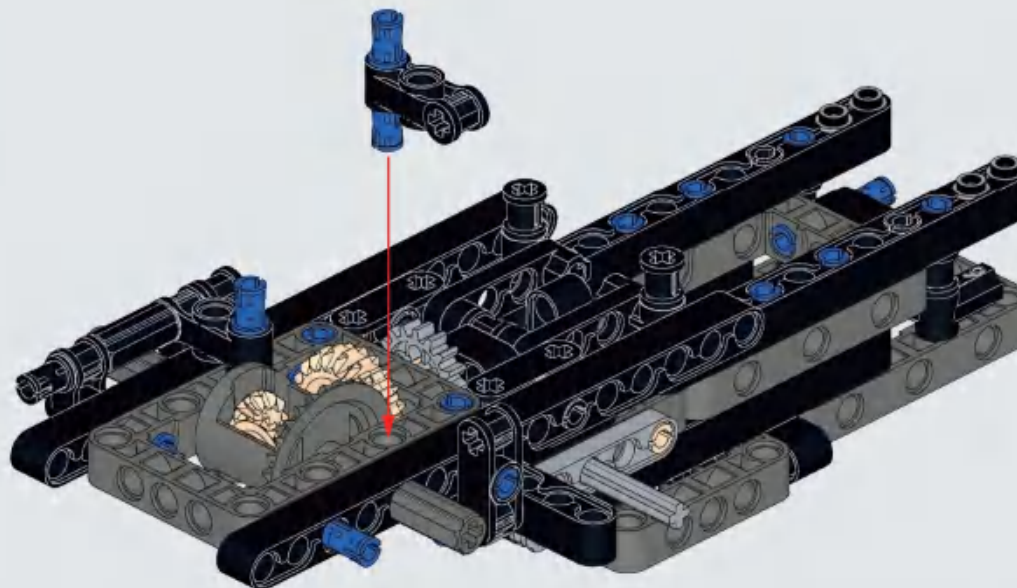
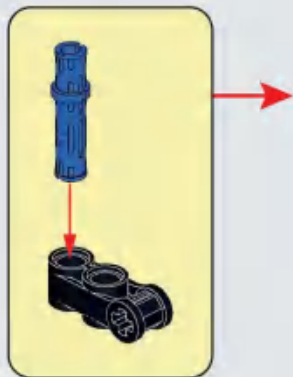


A42

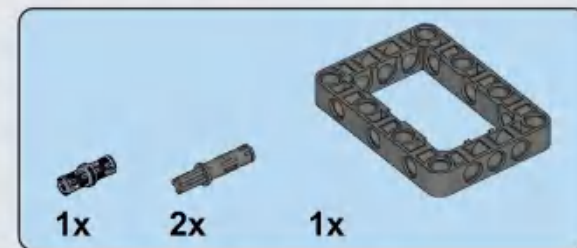
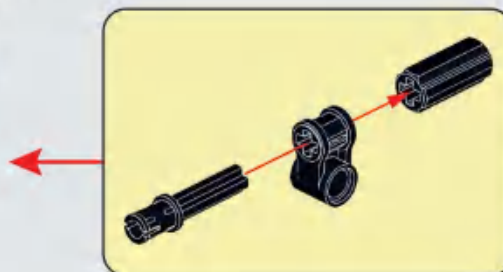
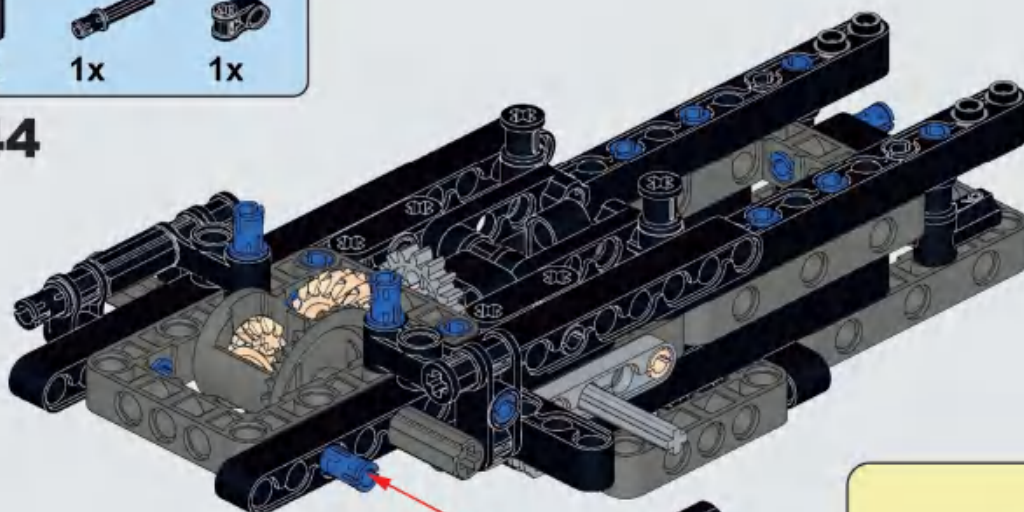




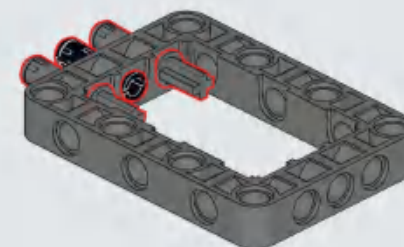
A43



A44

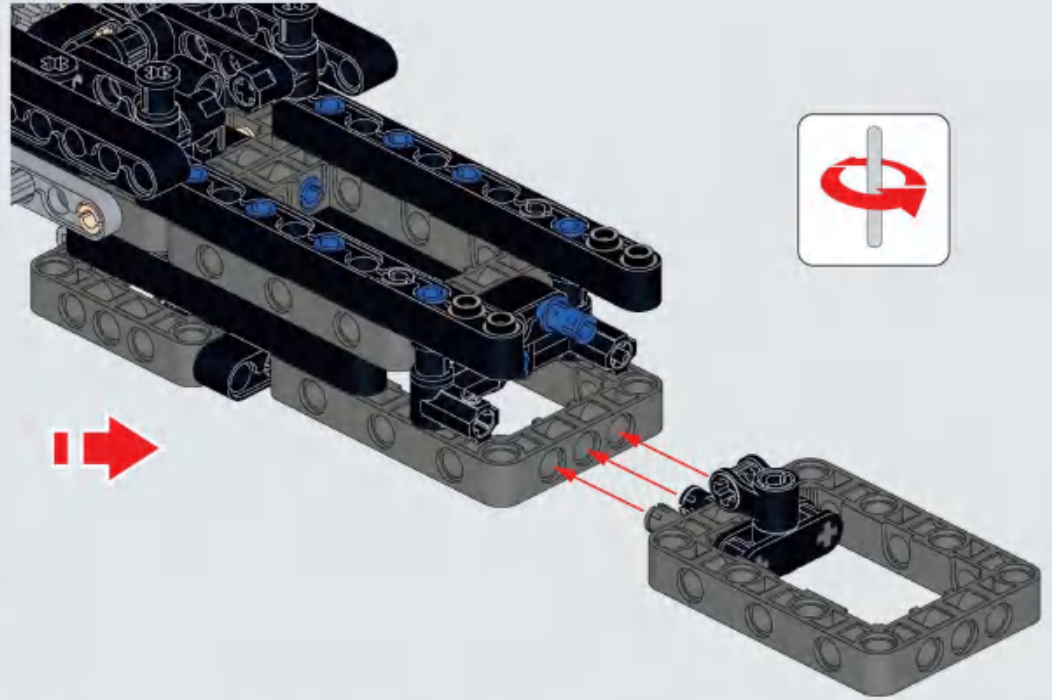
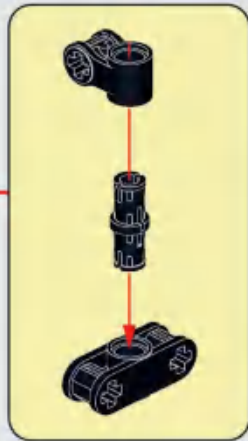
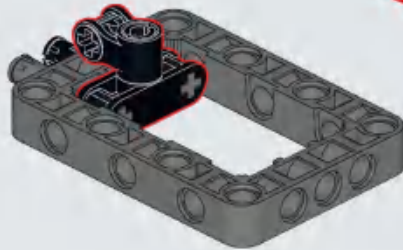


A45

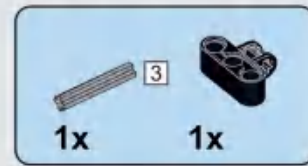
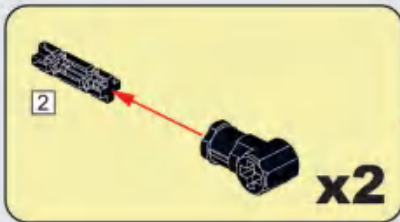
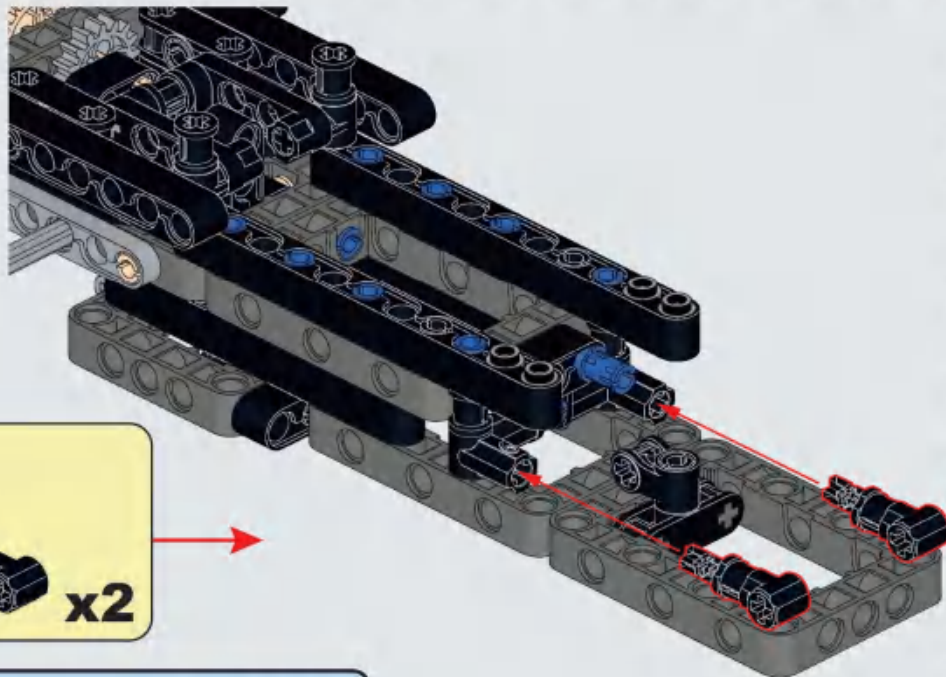




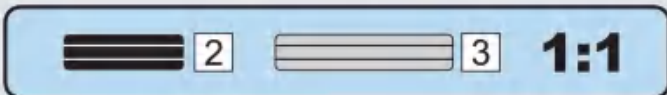
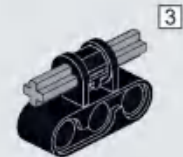
A46



A47

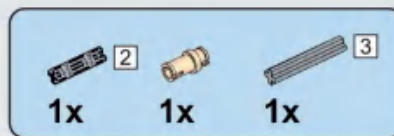
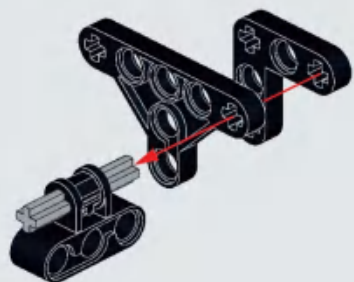


A48

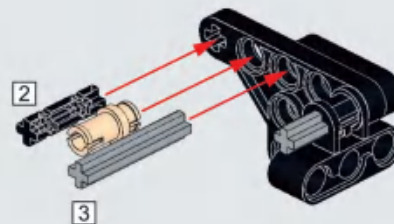




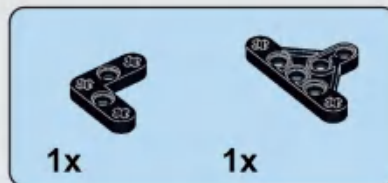
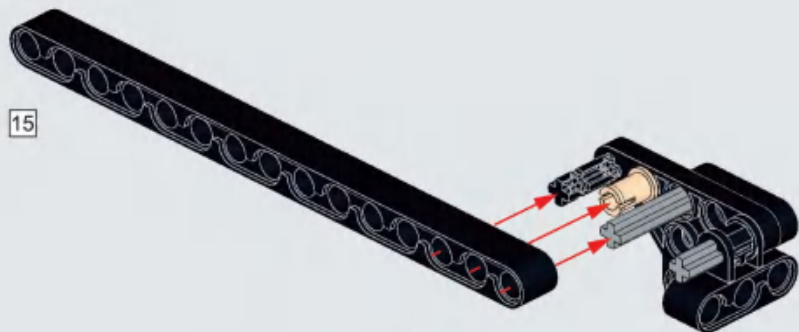
A49



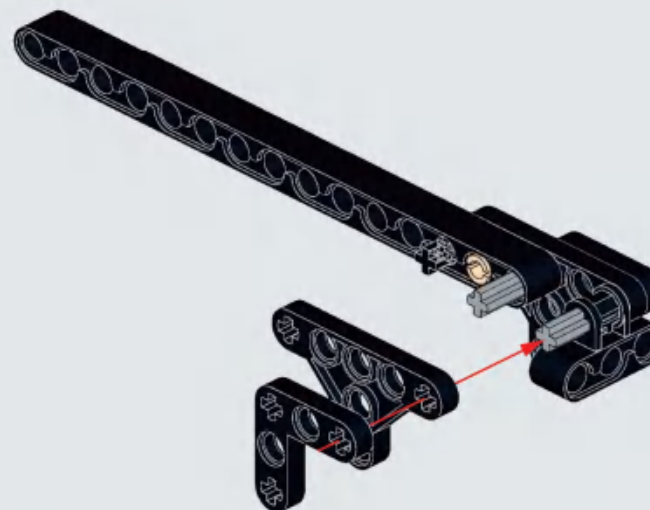
A50



A51

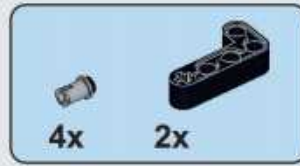
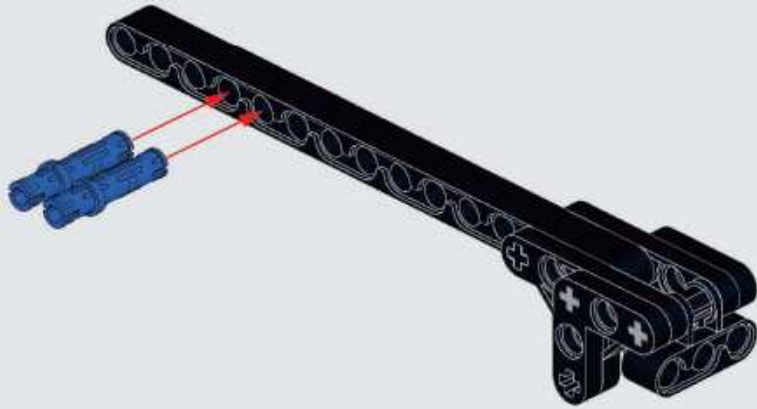


A52

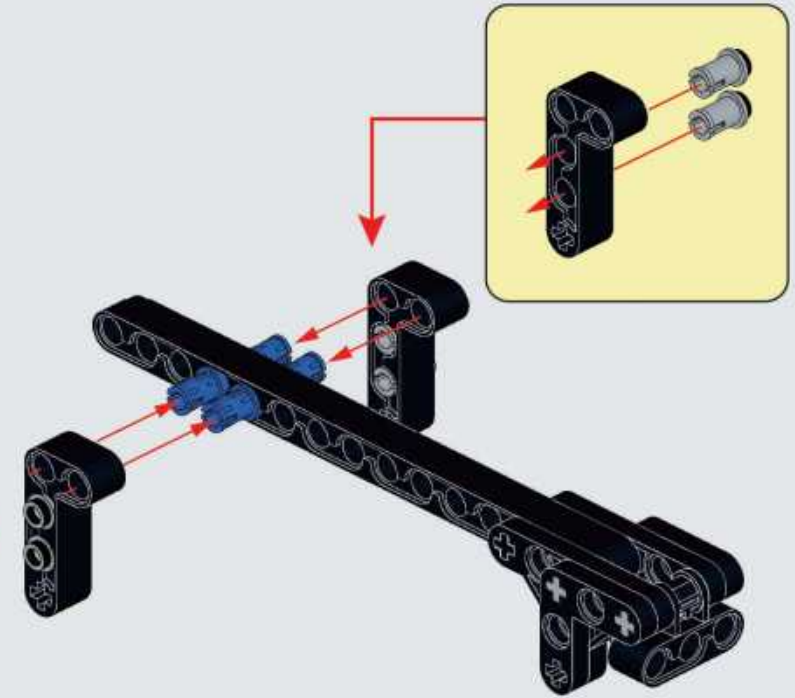
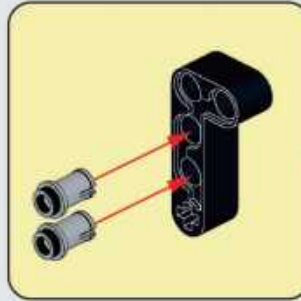




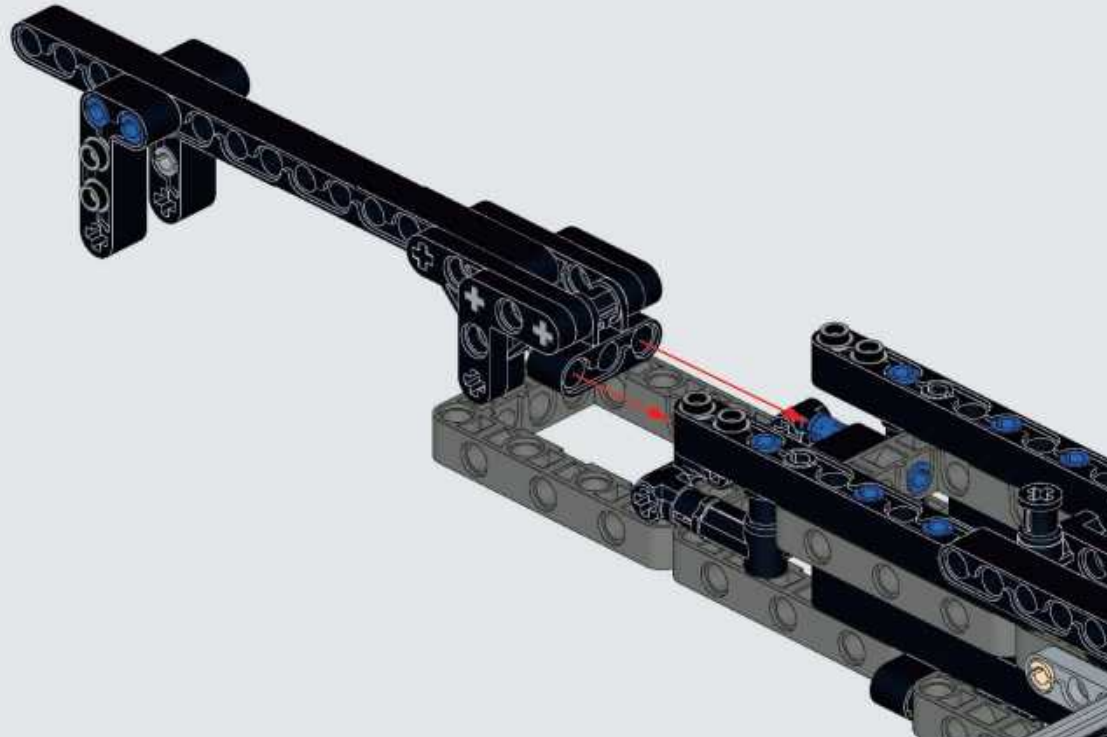
A53

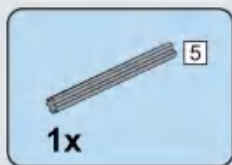


A54

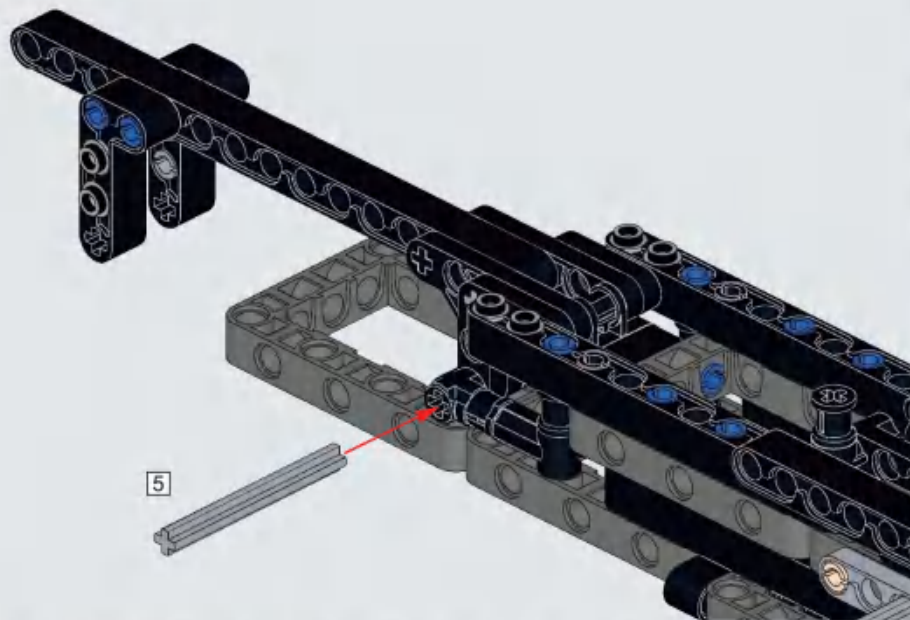


A55

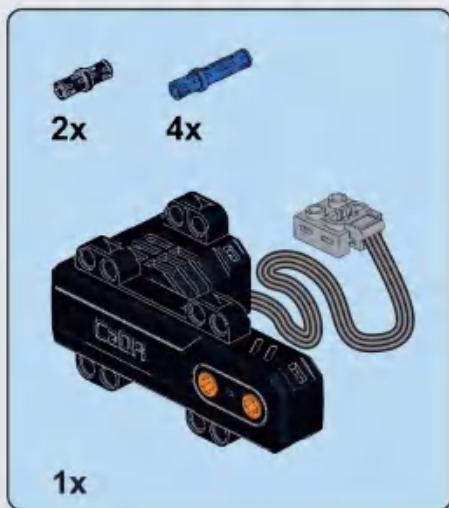
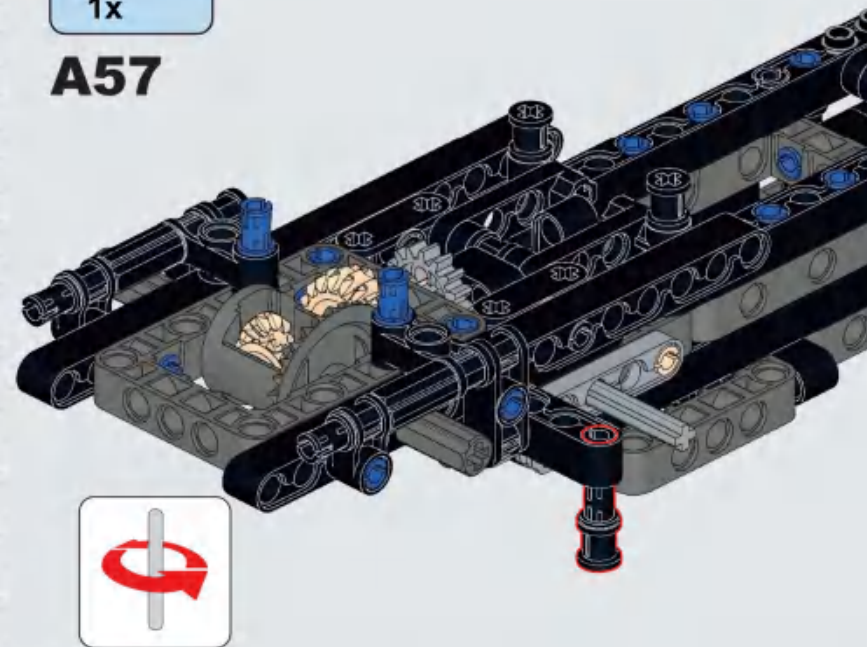




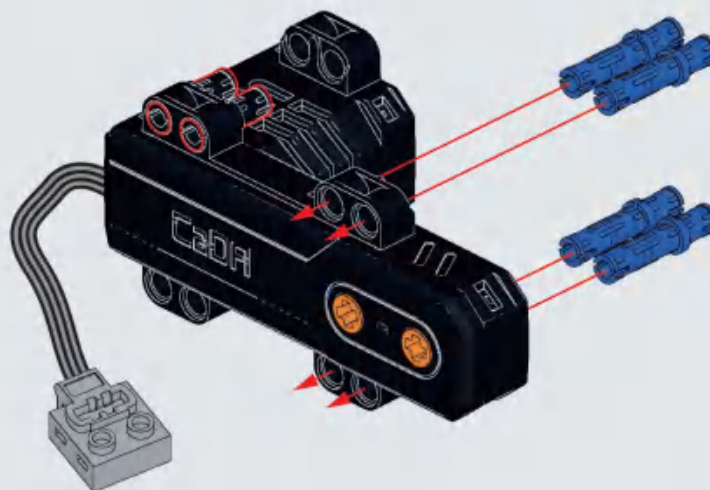
A56

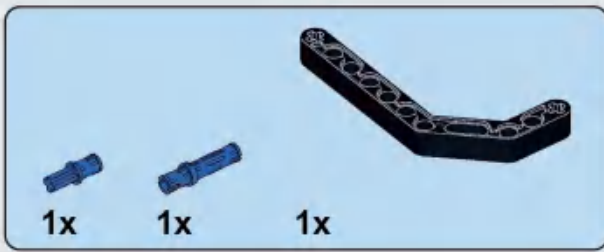


A57

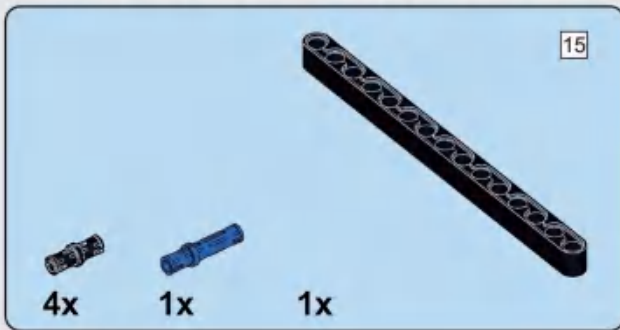
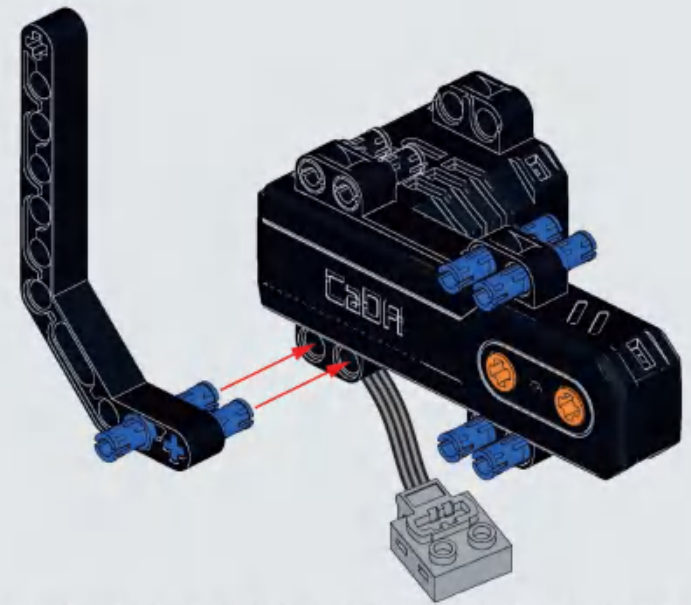
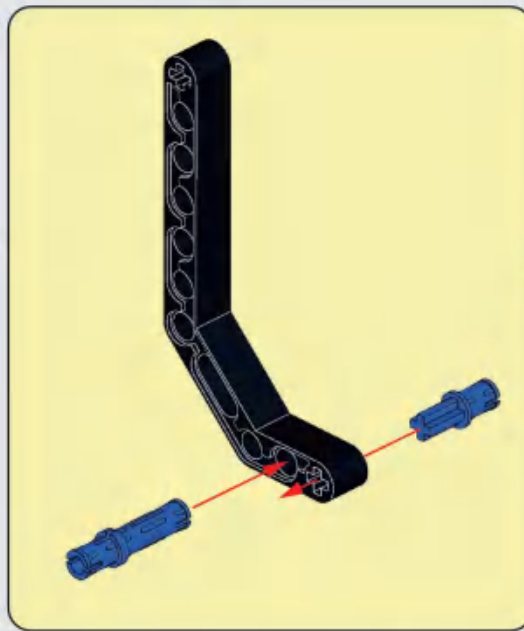


A58

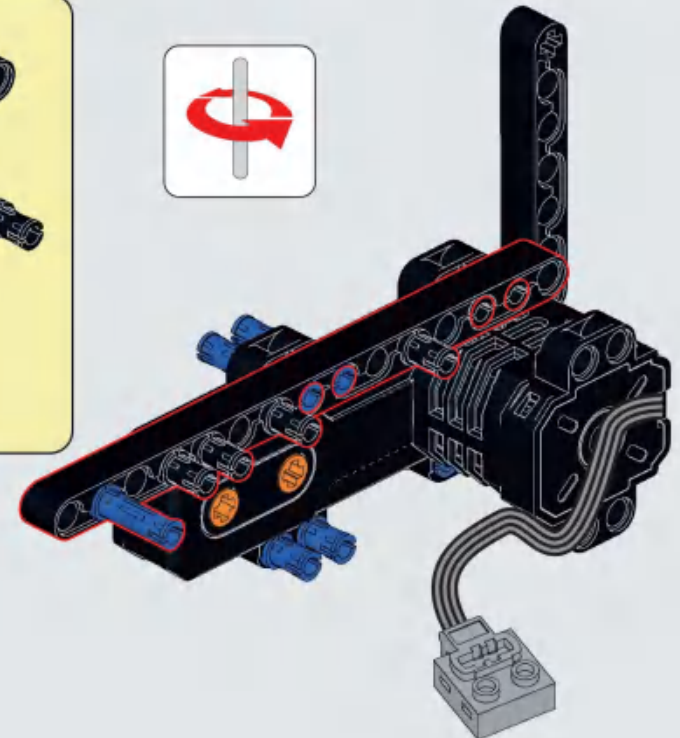
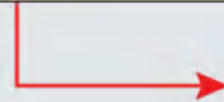
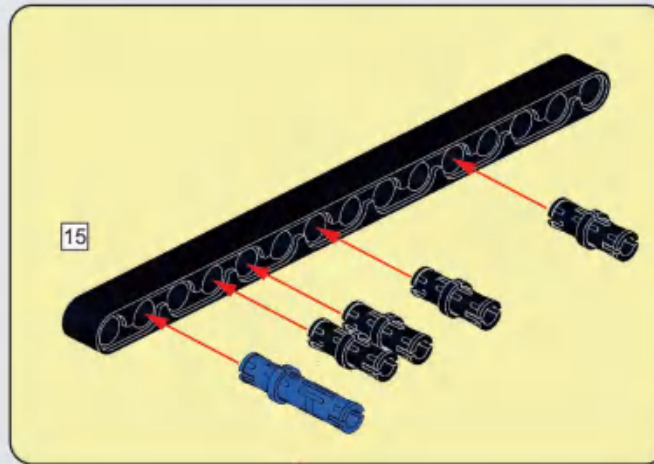


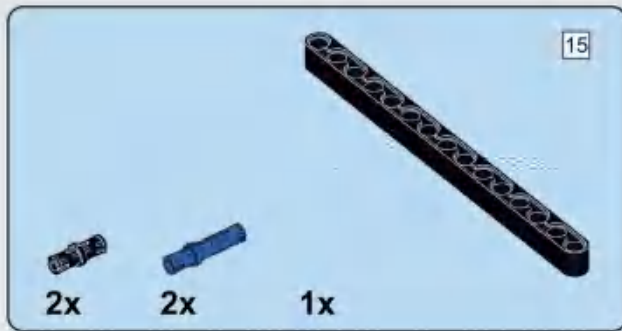


A59

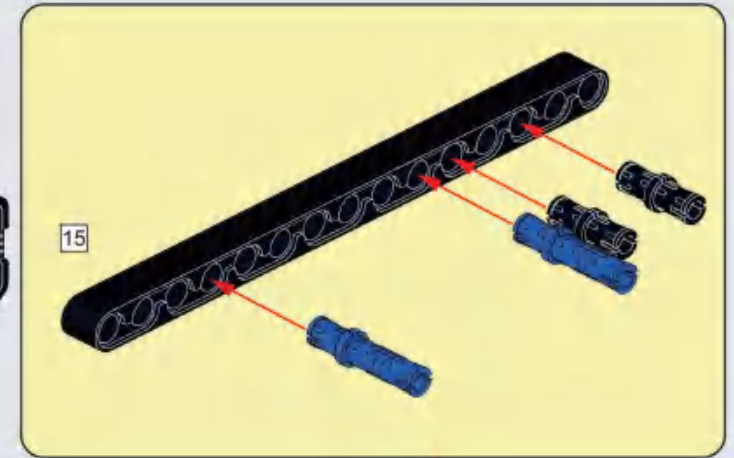
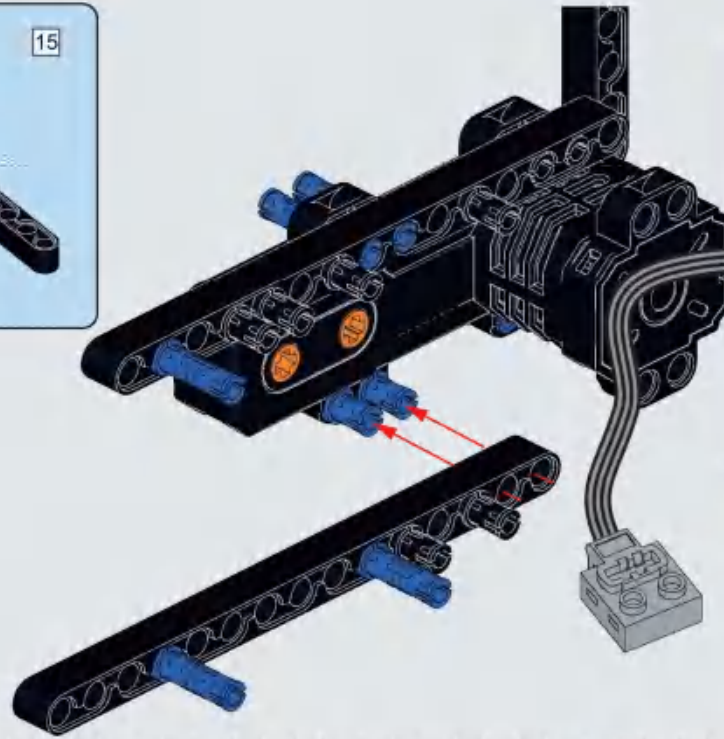


A60

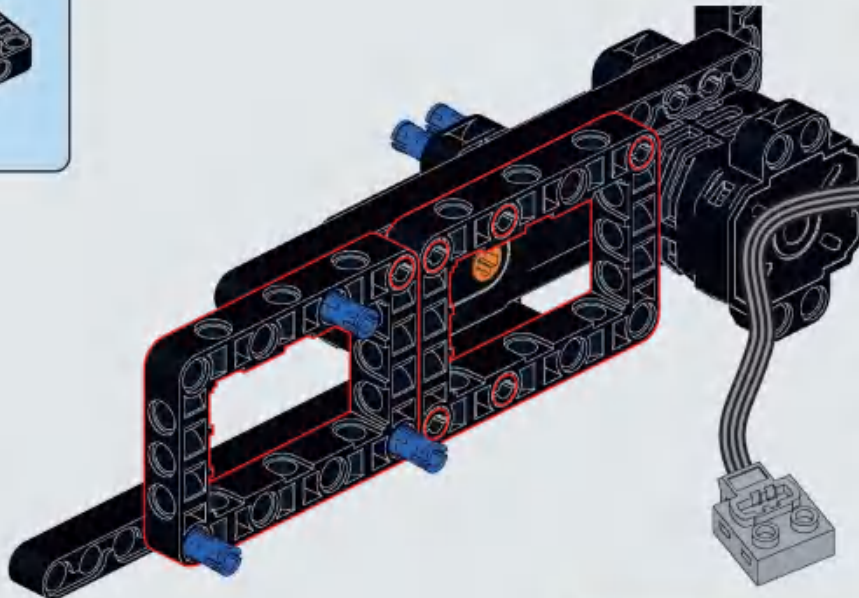




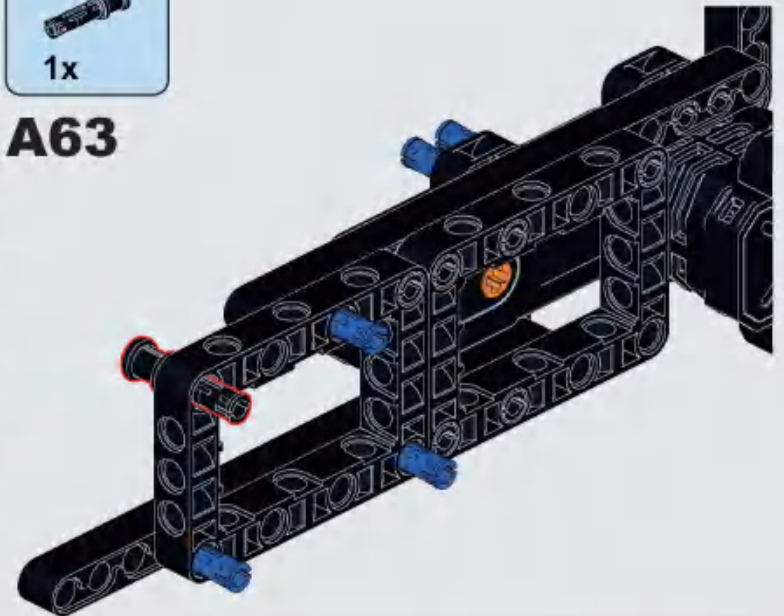
A61

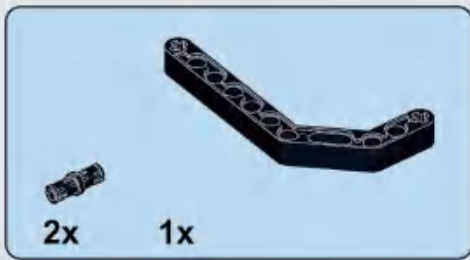


A62

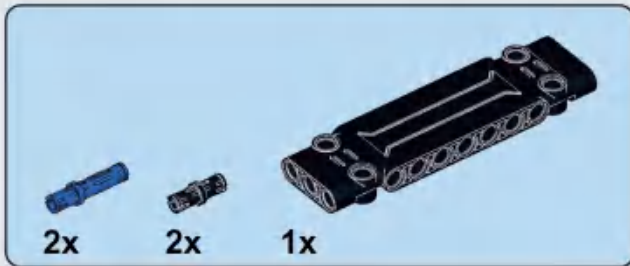
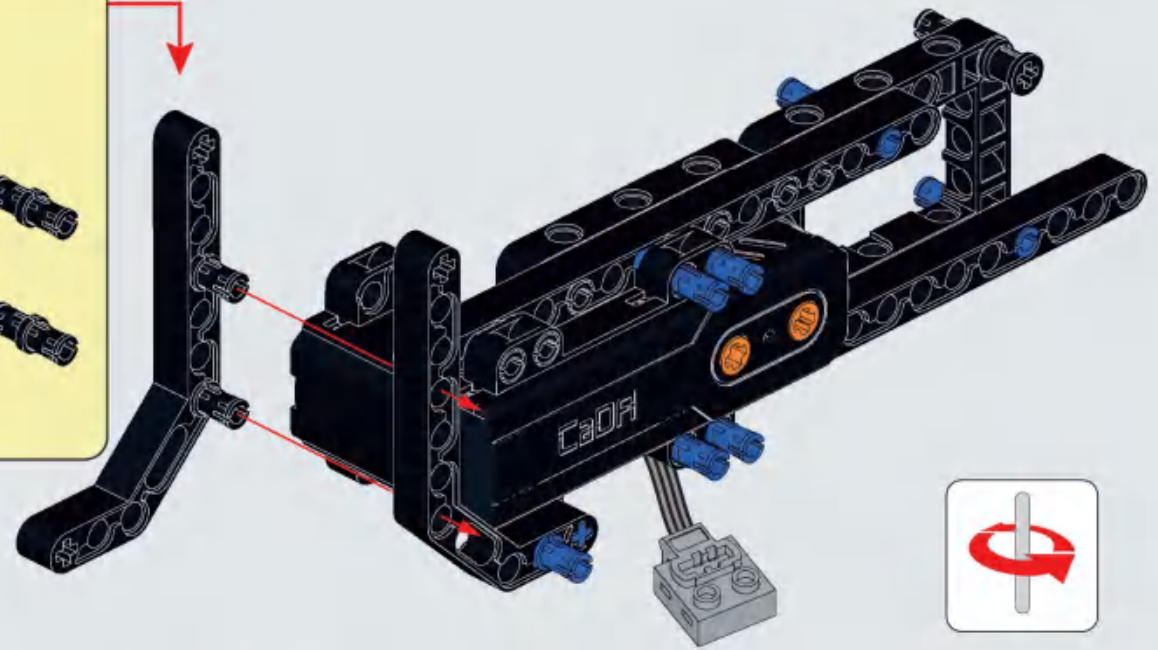
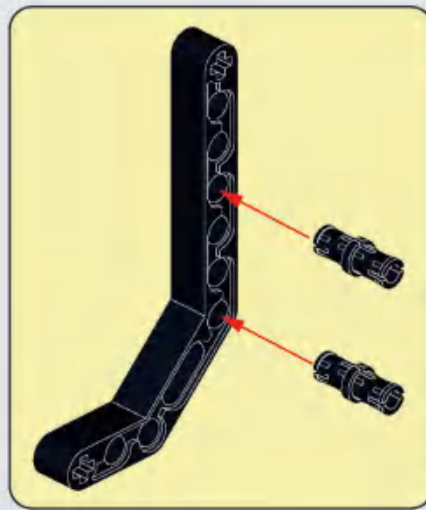


A63

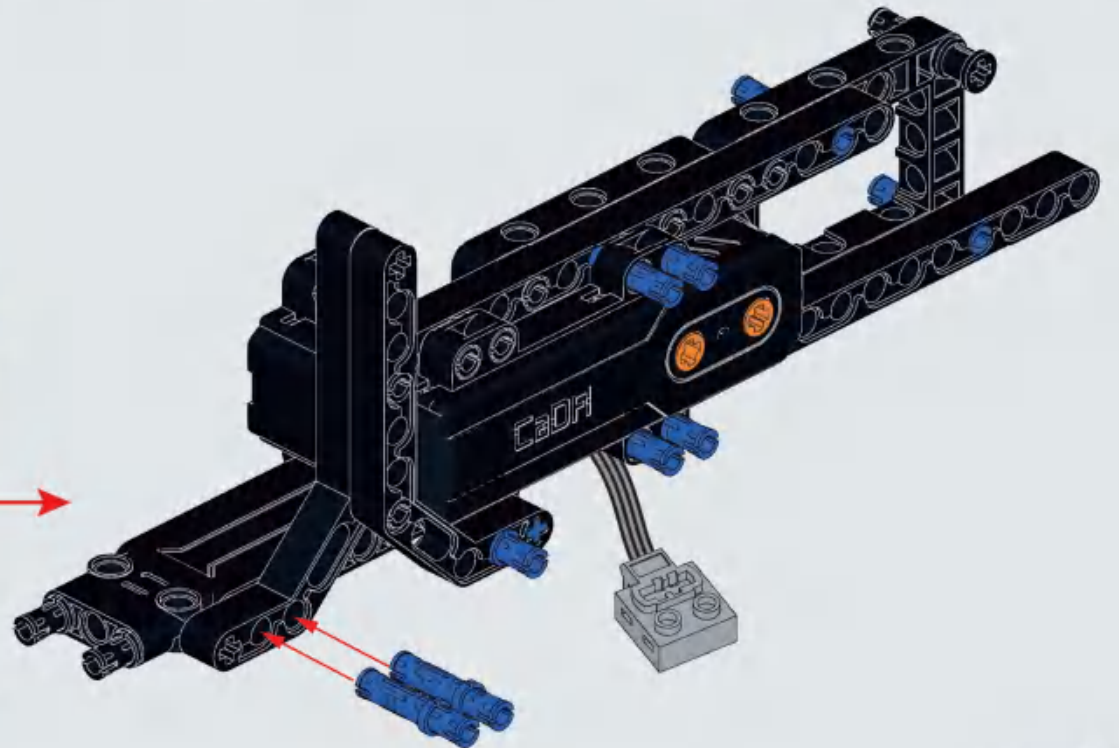
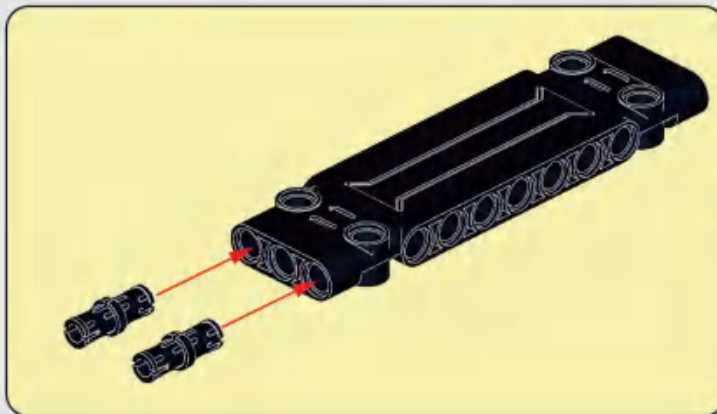


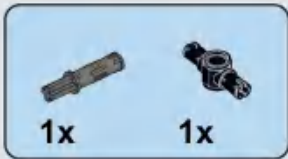


A64

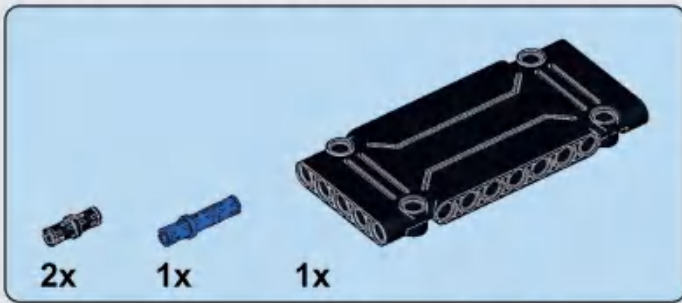
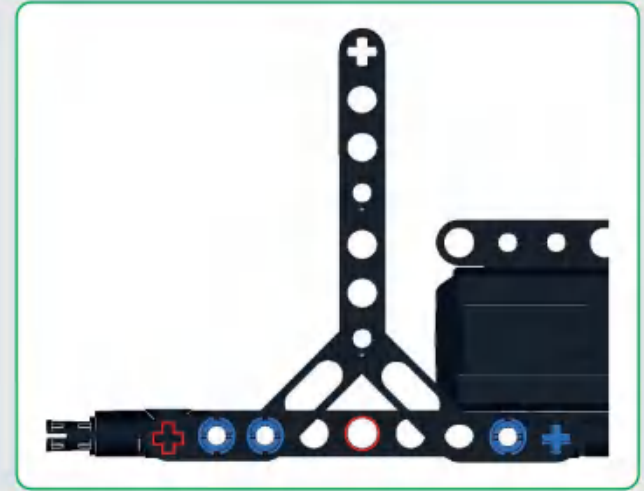
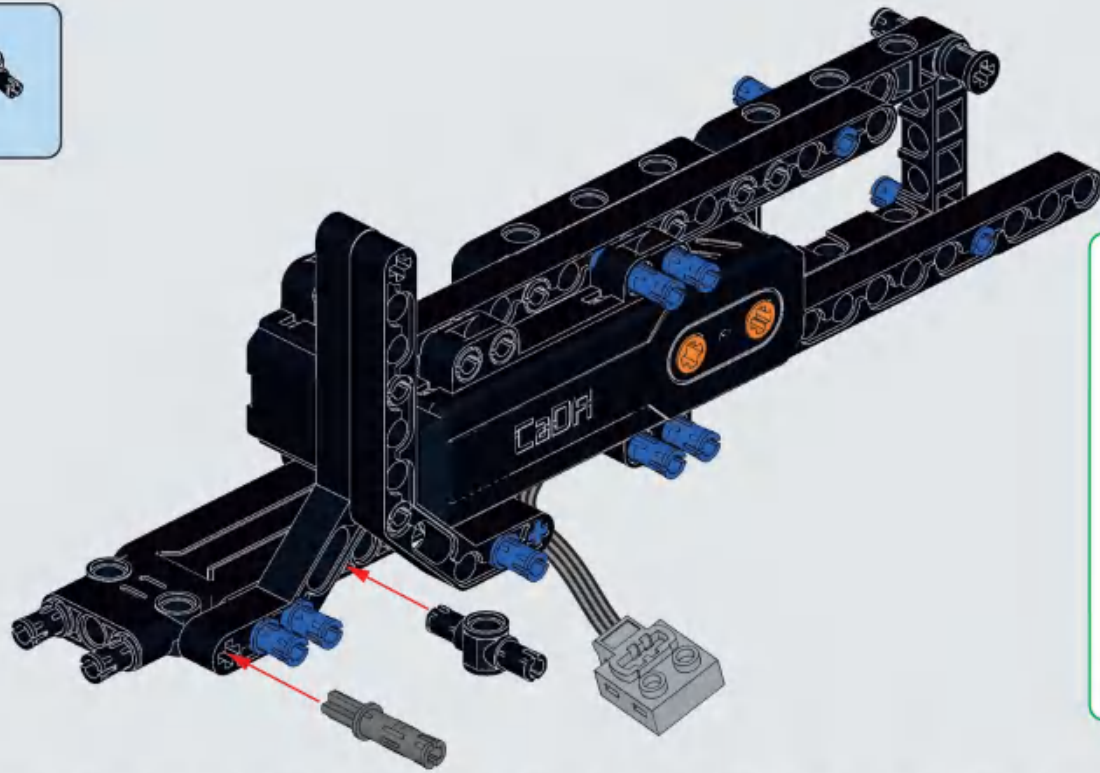


A65

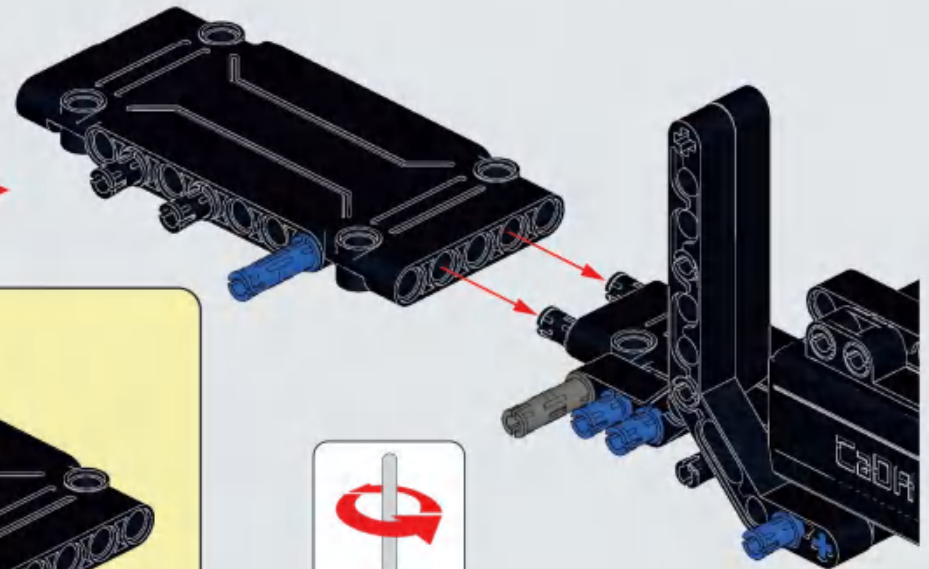
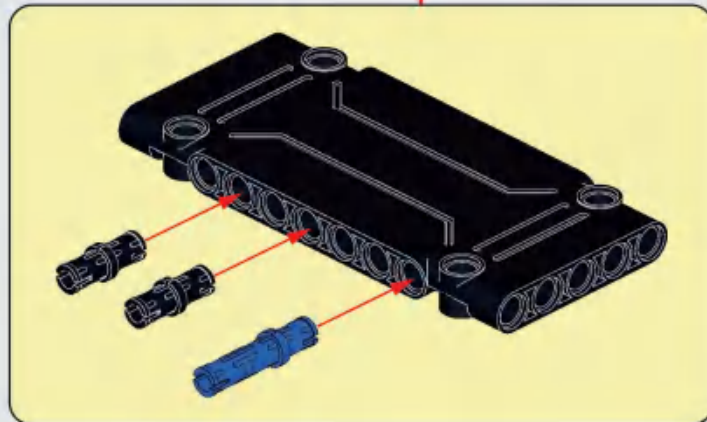


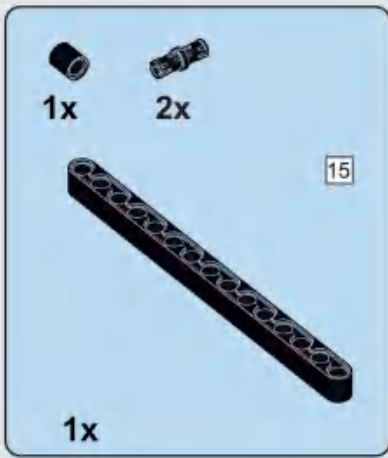


A66

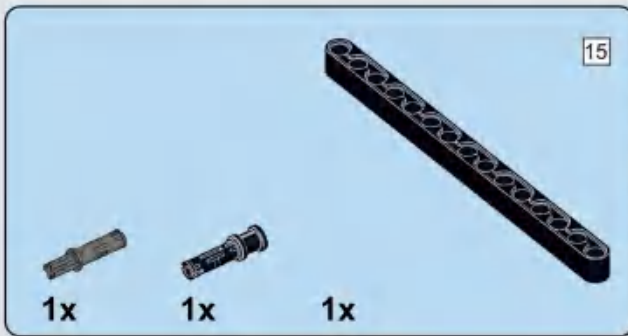
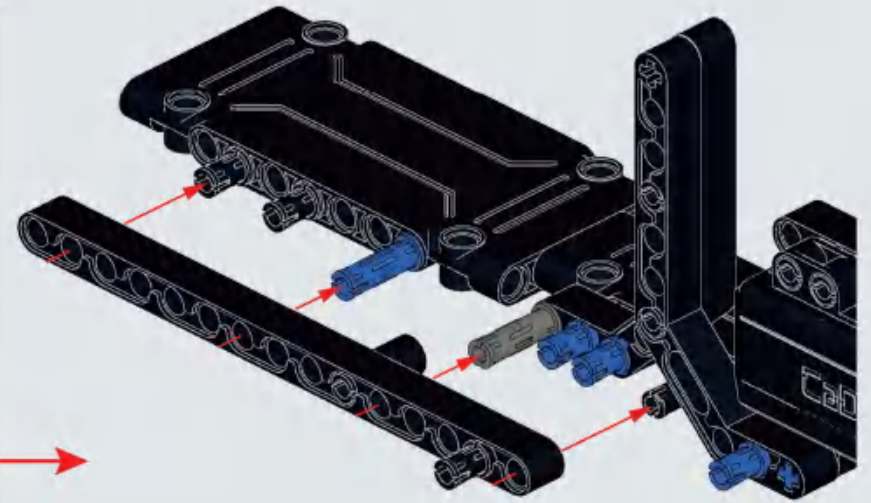
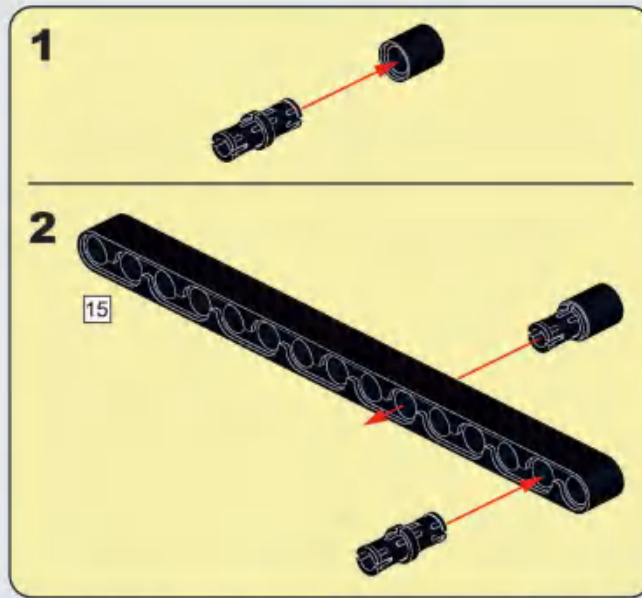


A67

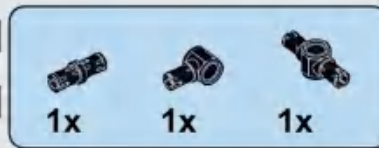




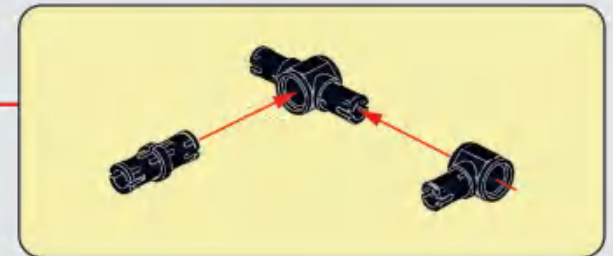
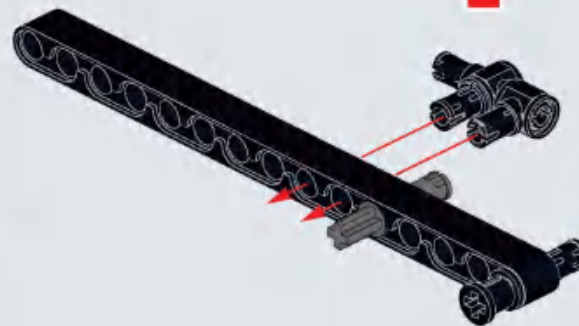
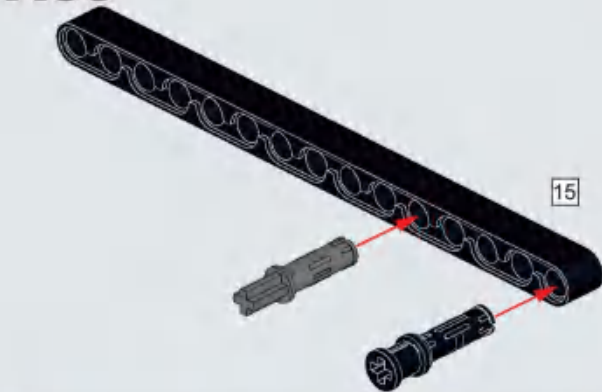
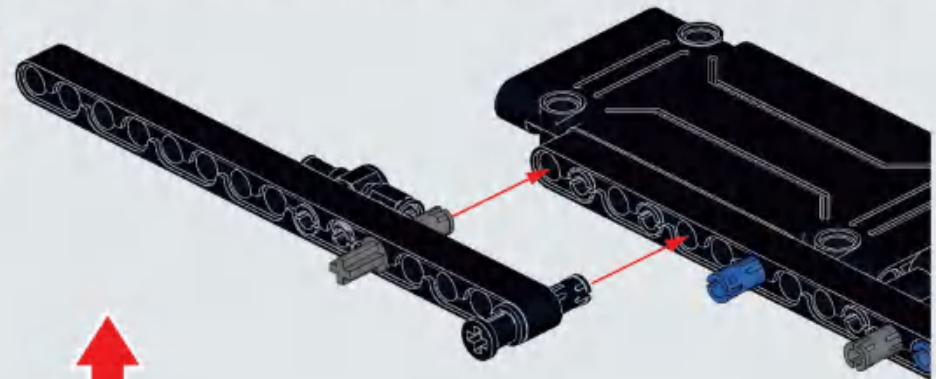
A68



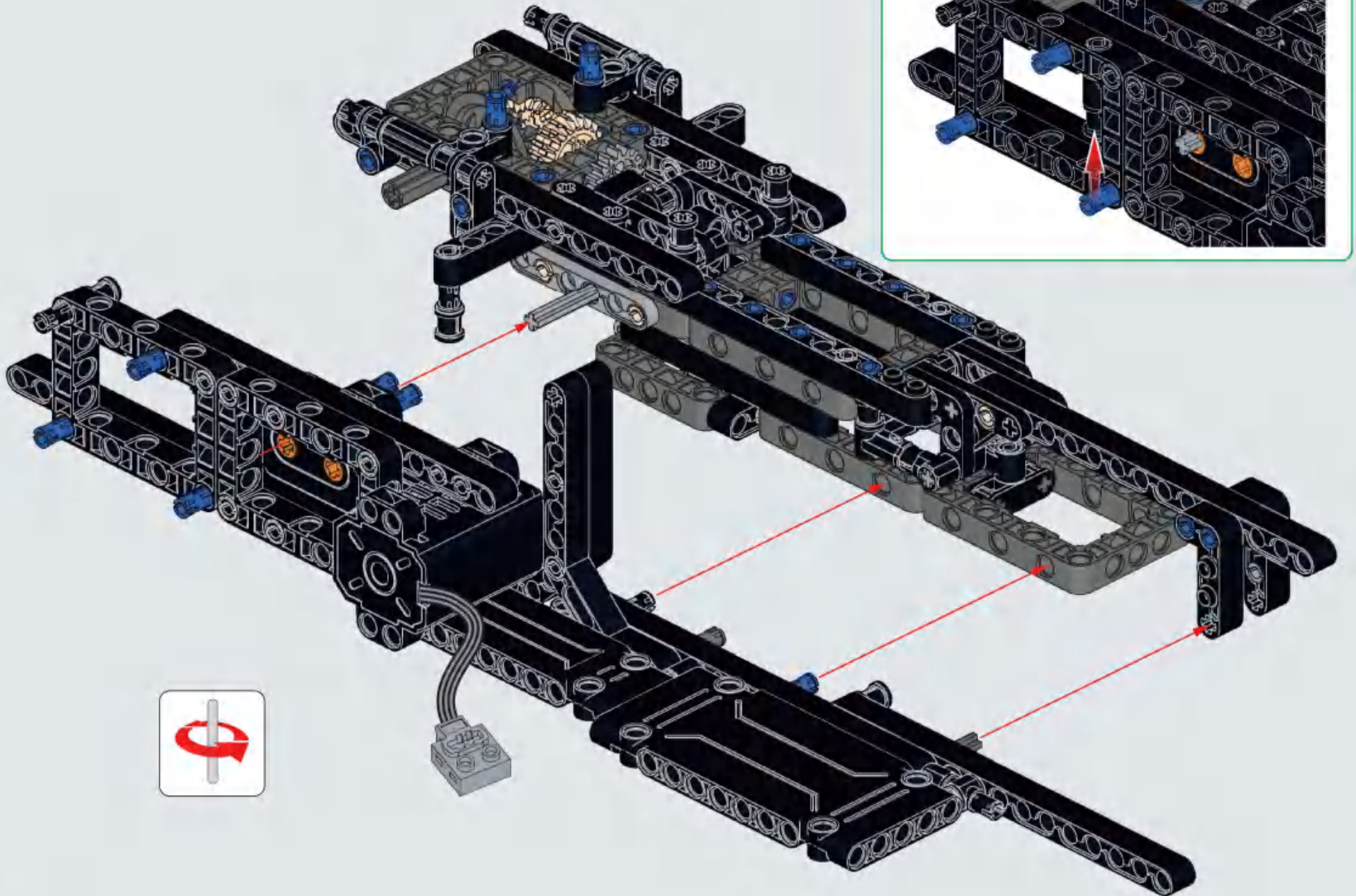
A69

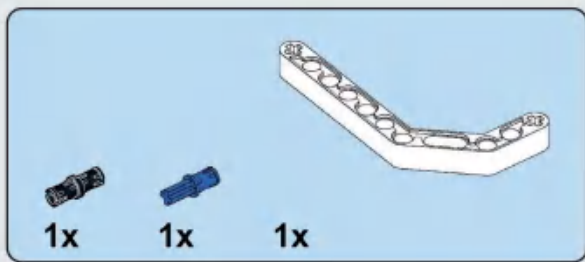


A70

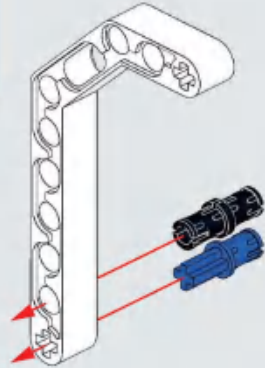


A71

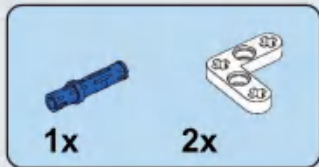
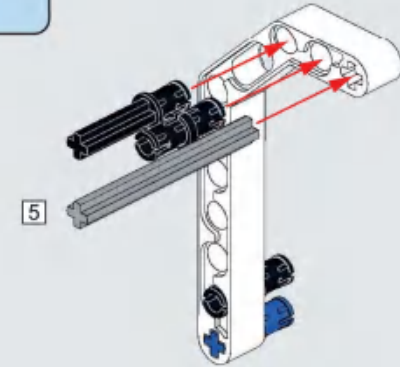




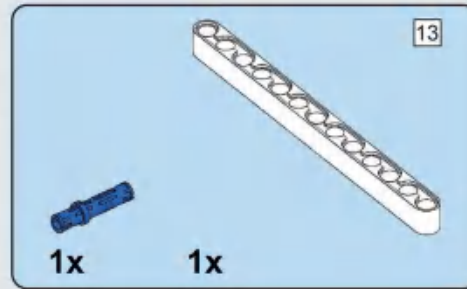
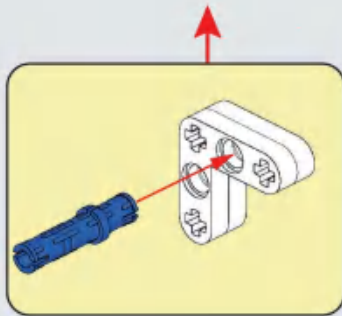
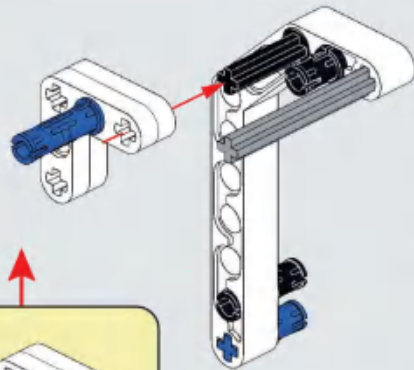
A72



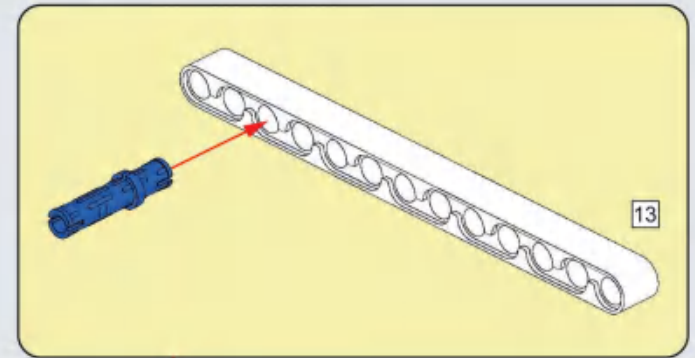
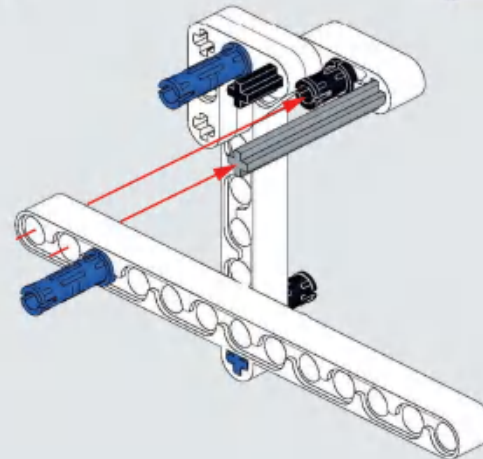
A73



A74

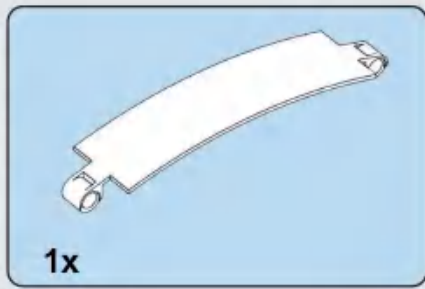
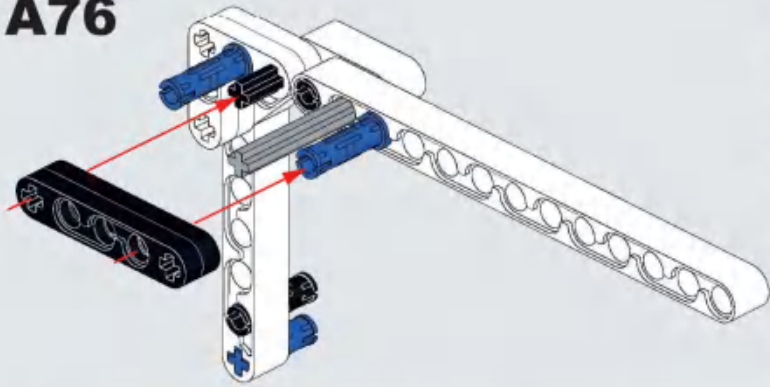


A75

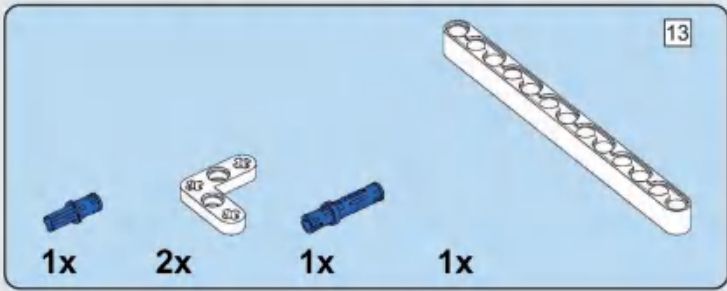
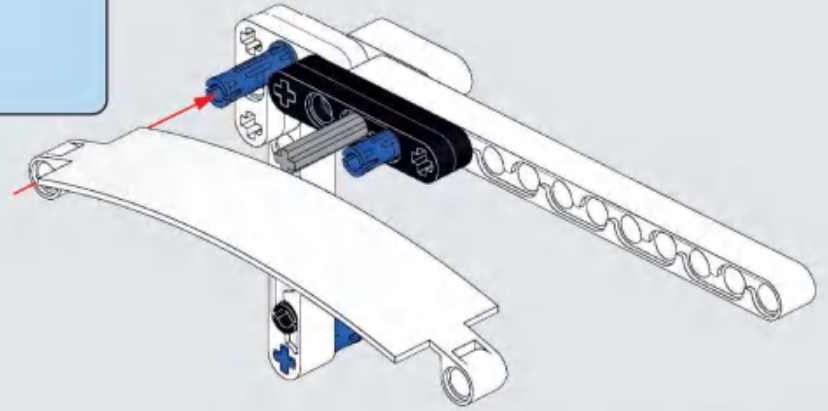




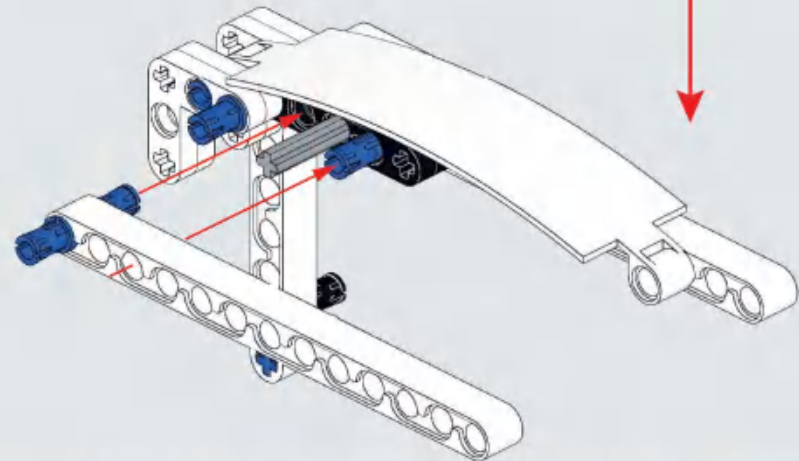
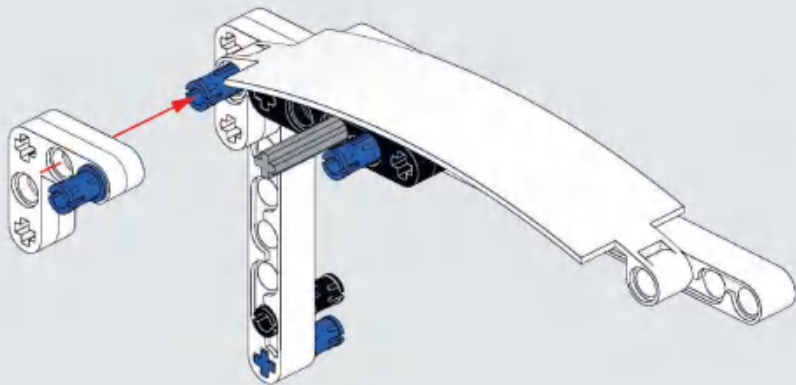
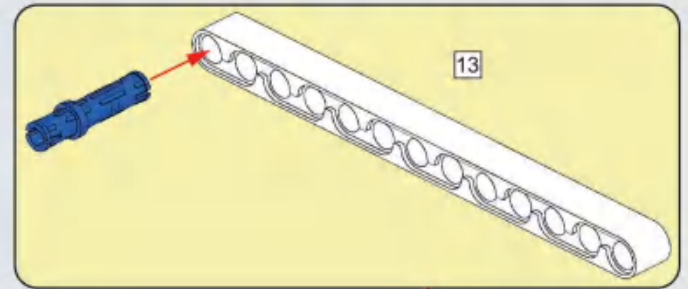
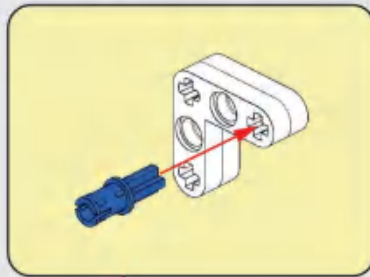
A76

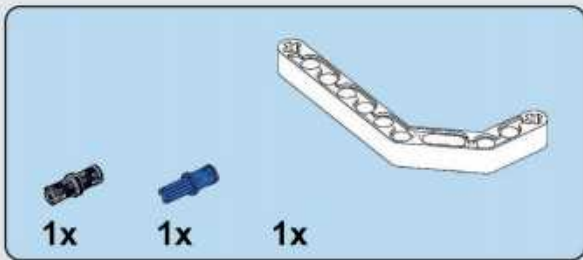


A77

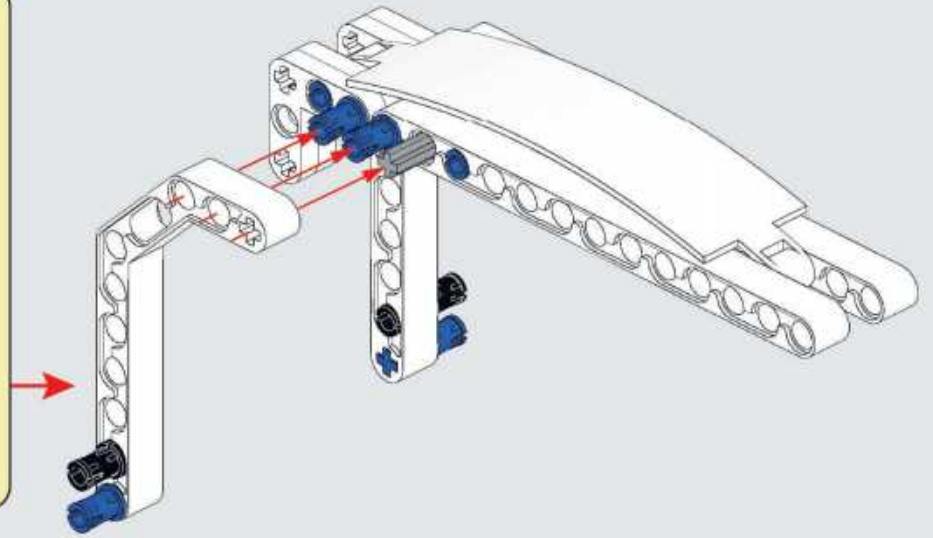
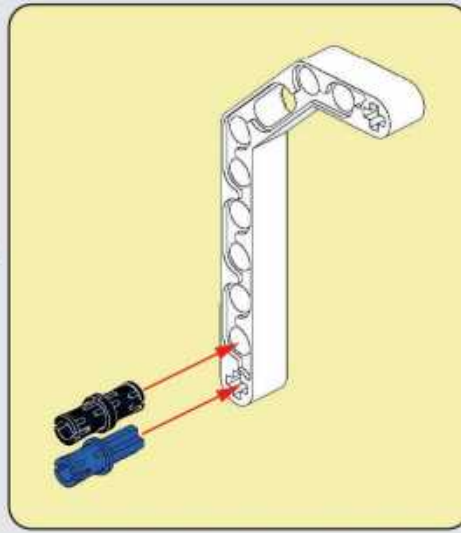


A78

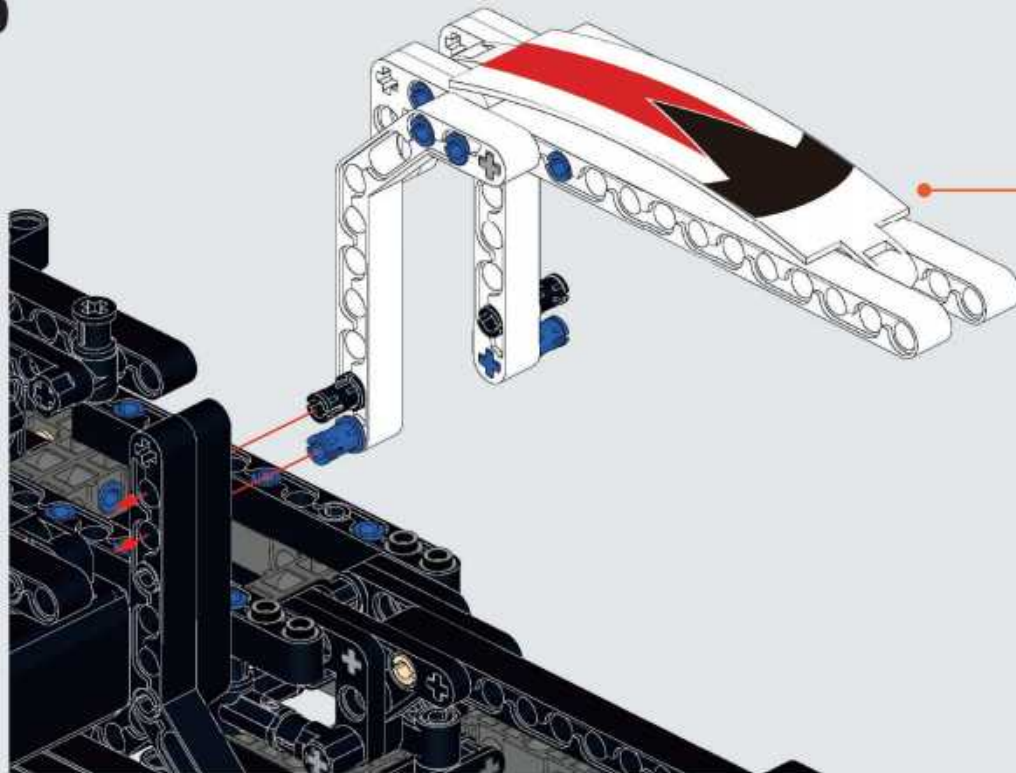




A79



A80

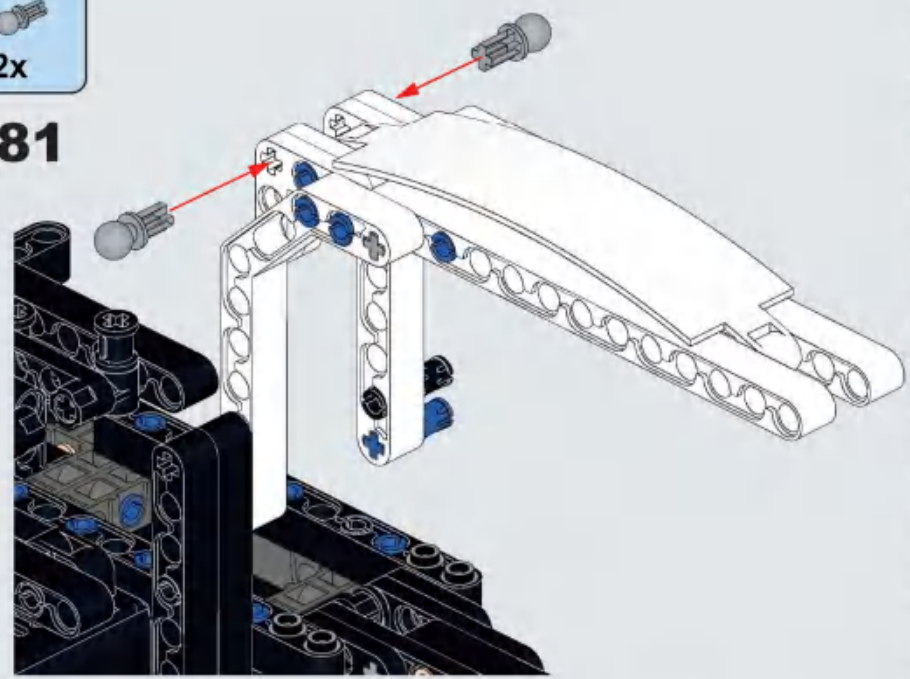


01

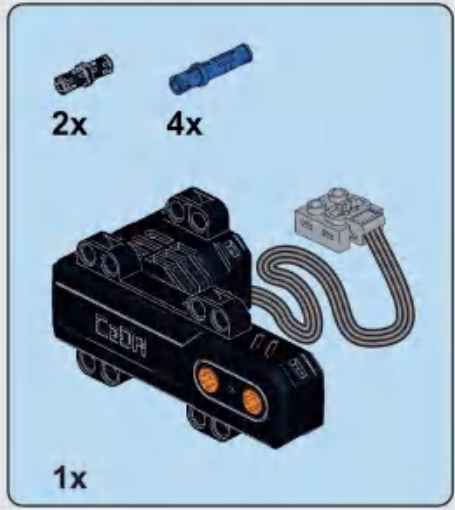
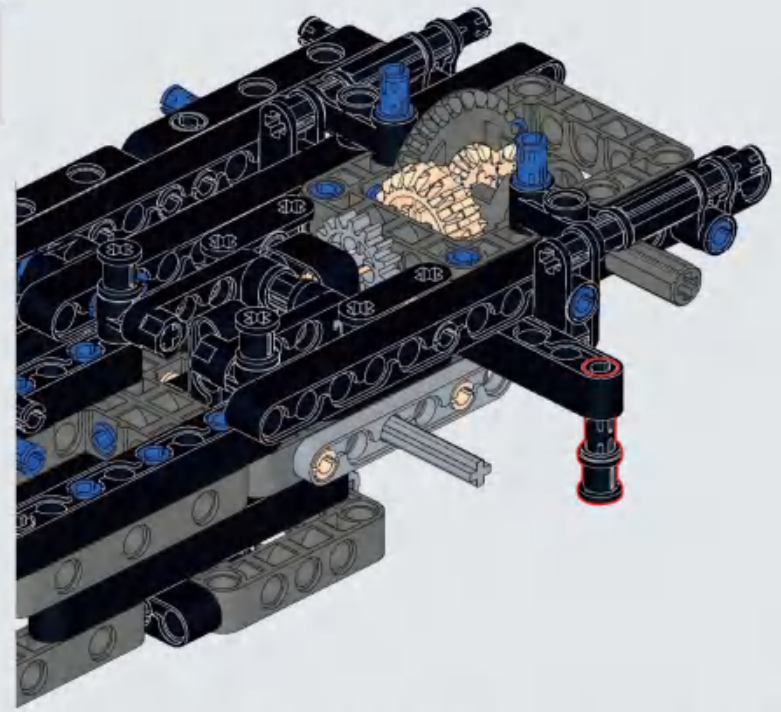




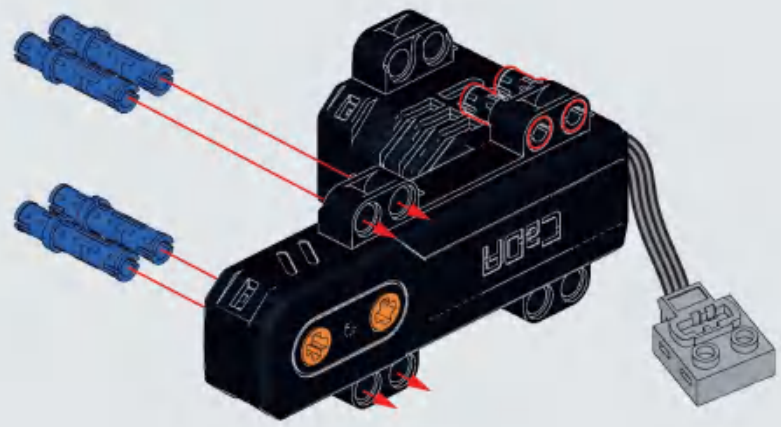
A81

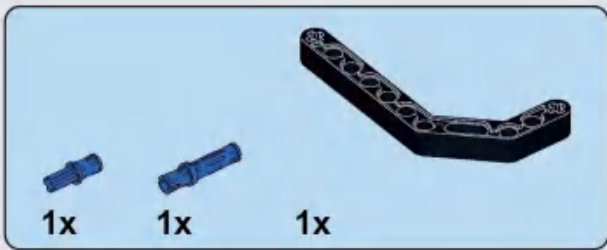


A82

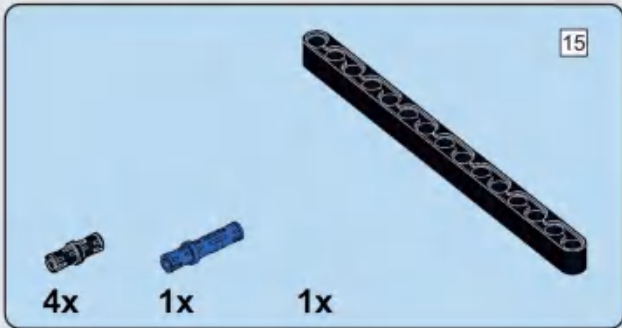
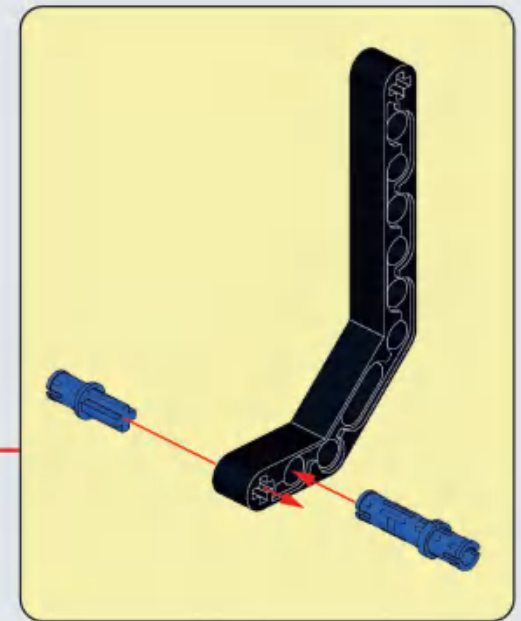
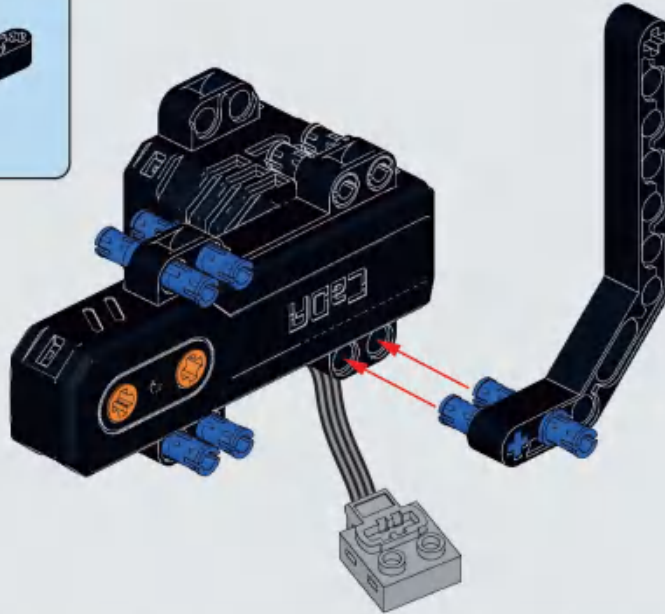


A83

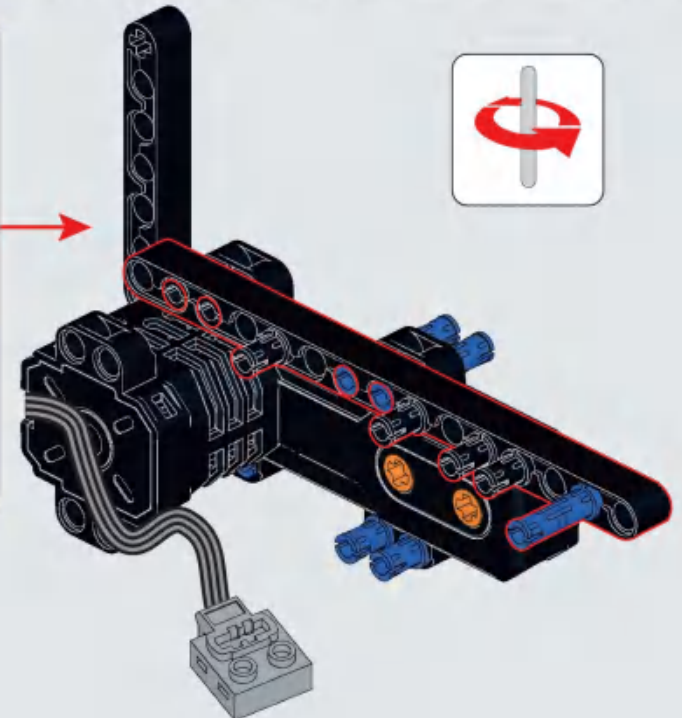
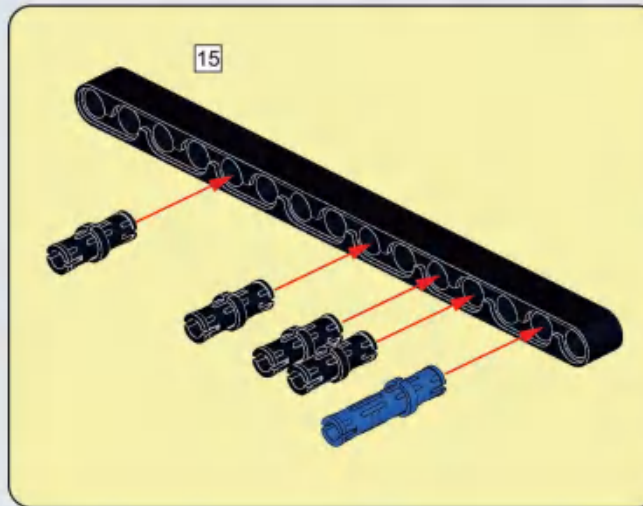


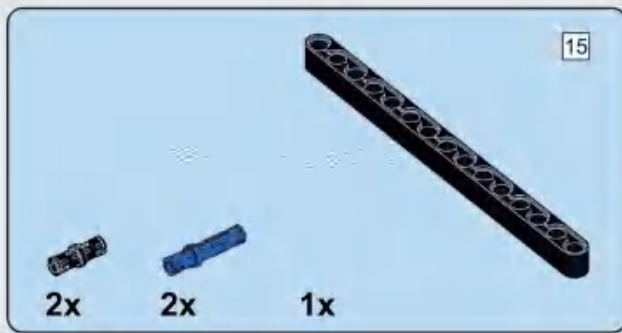


A84

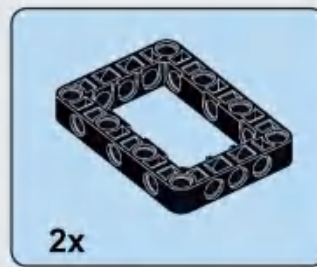
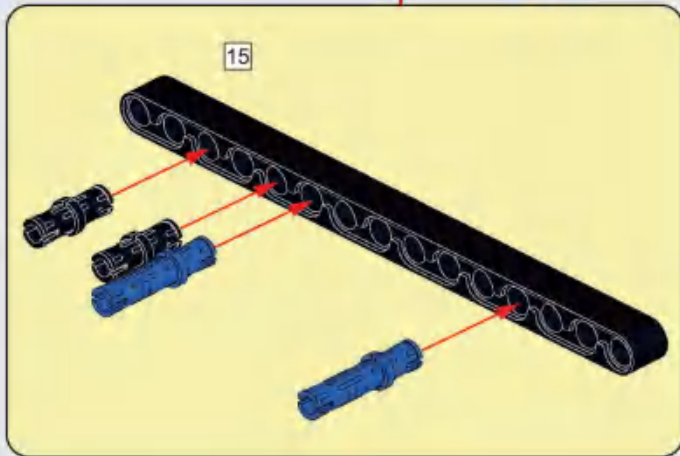
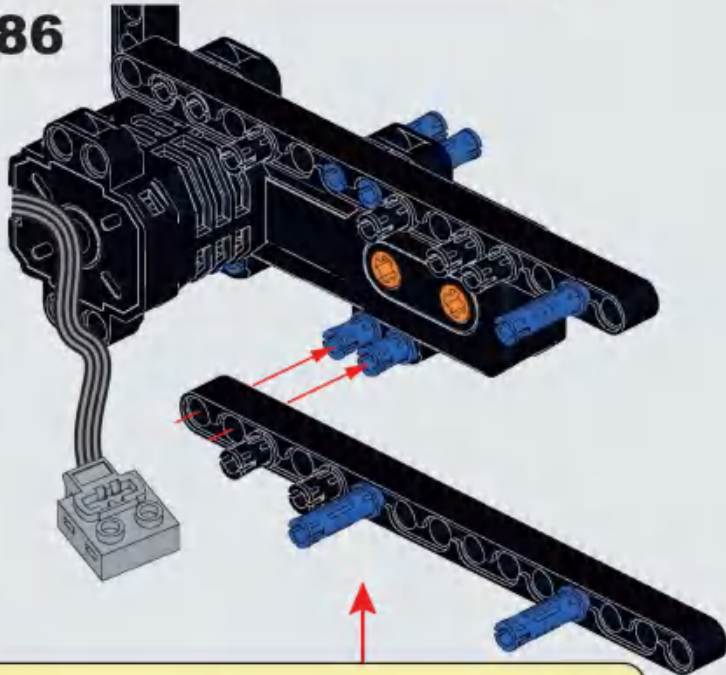


A85

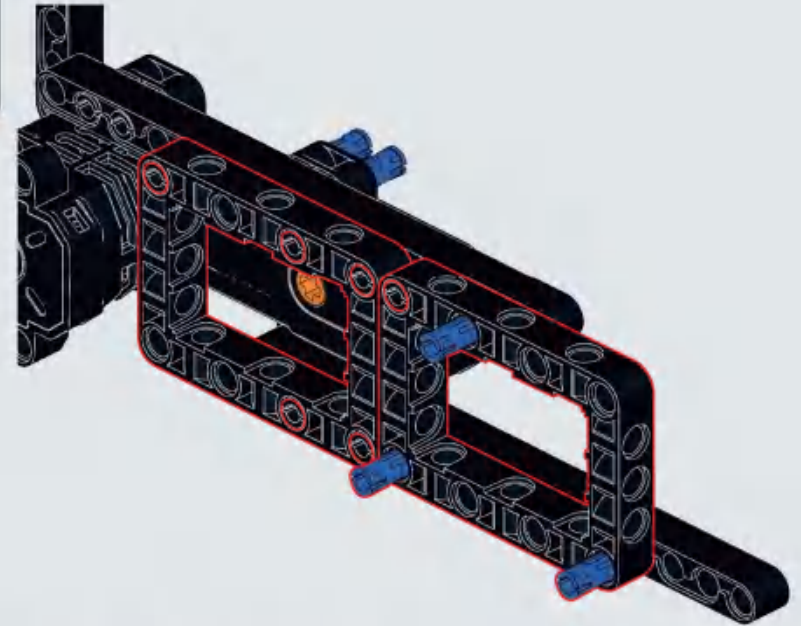




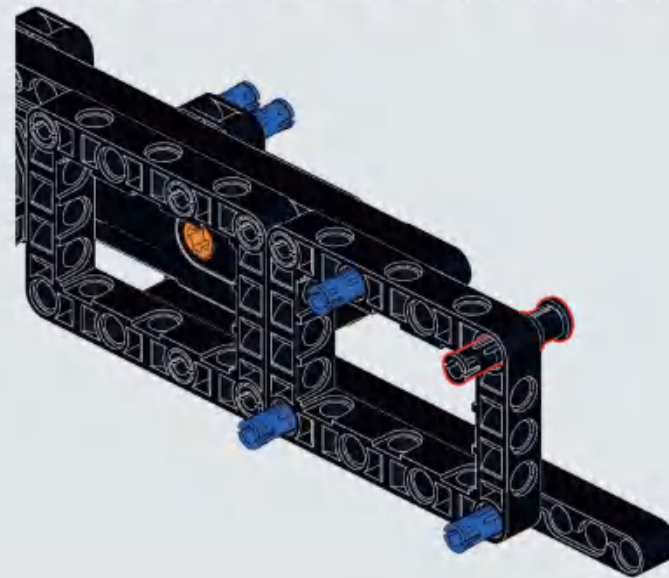
A86

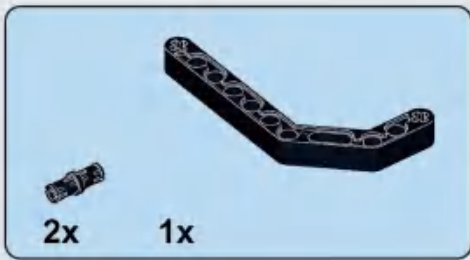


A87

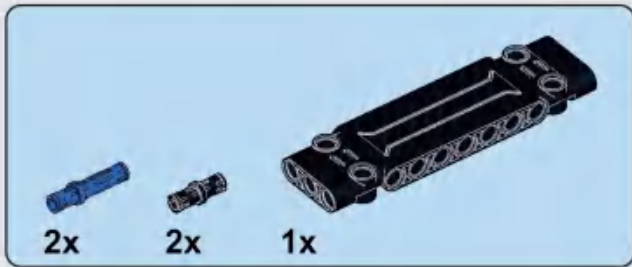
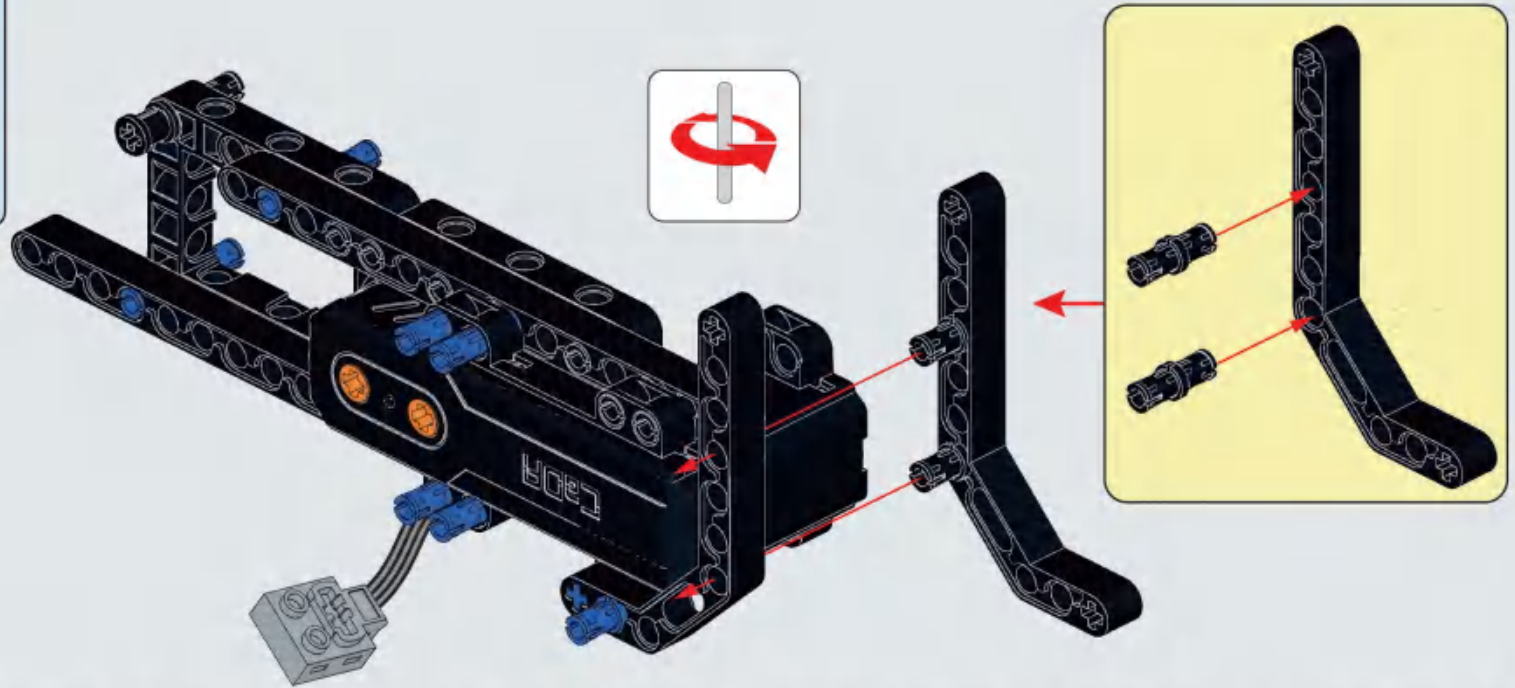


A88

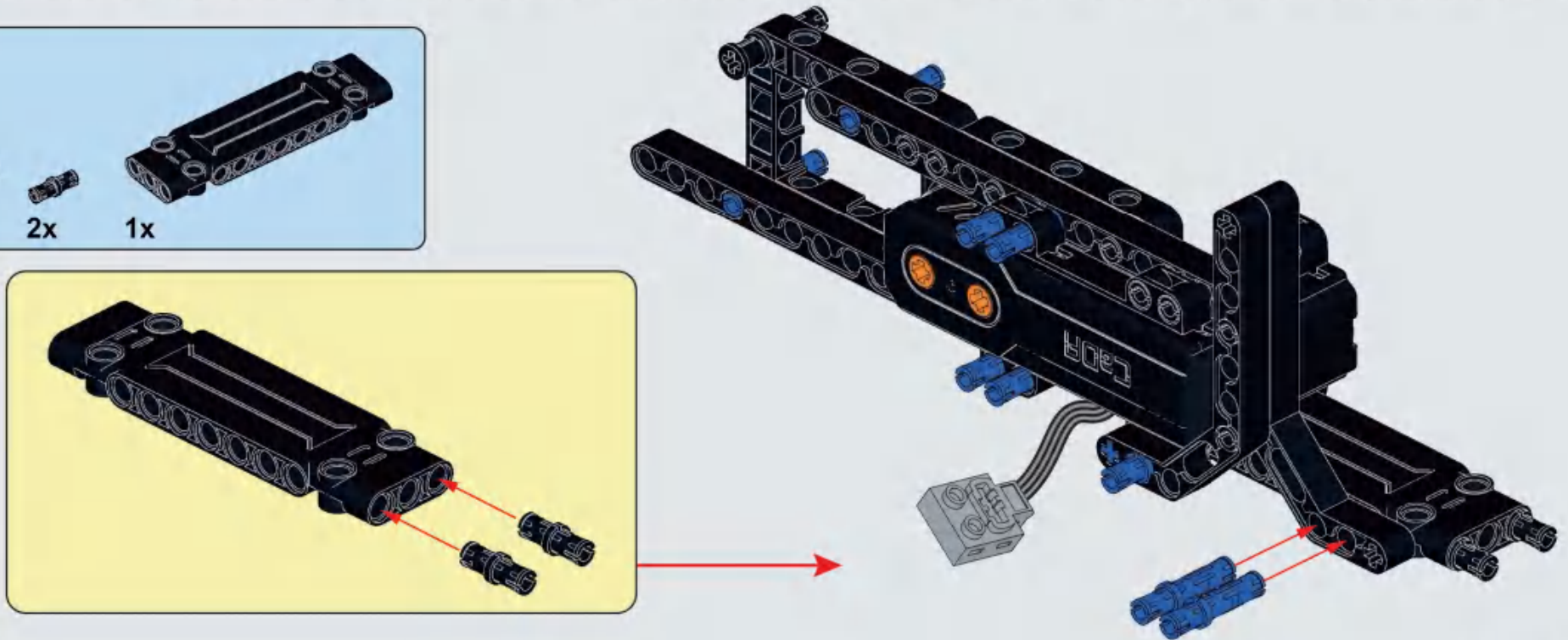




A89

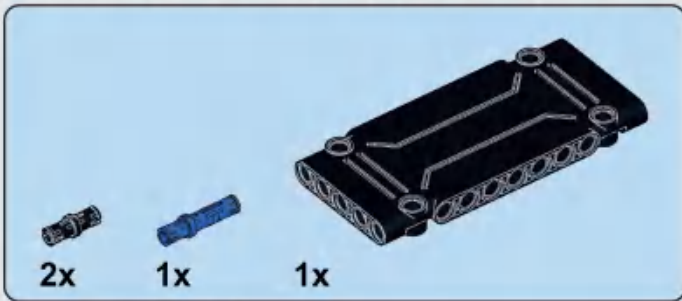
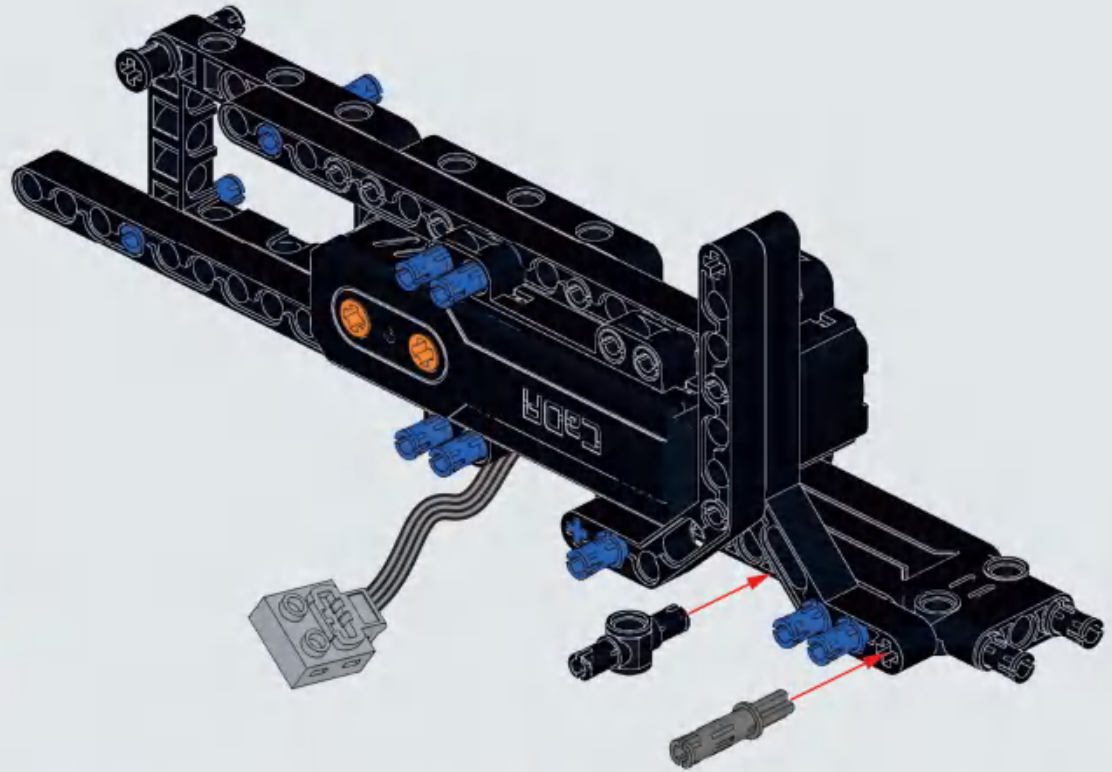
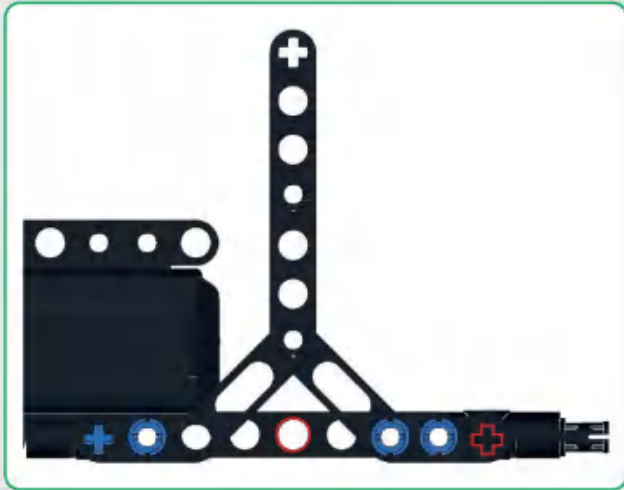


A90

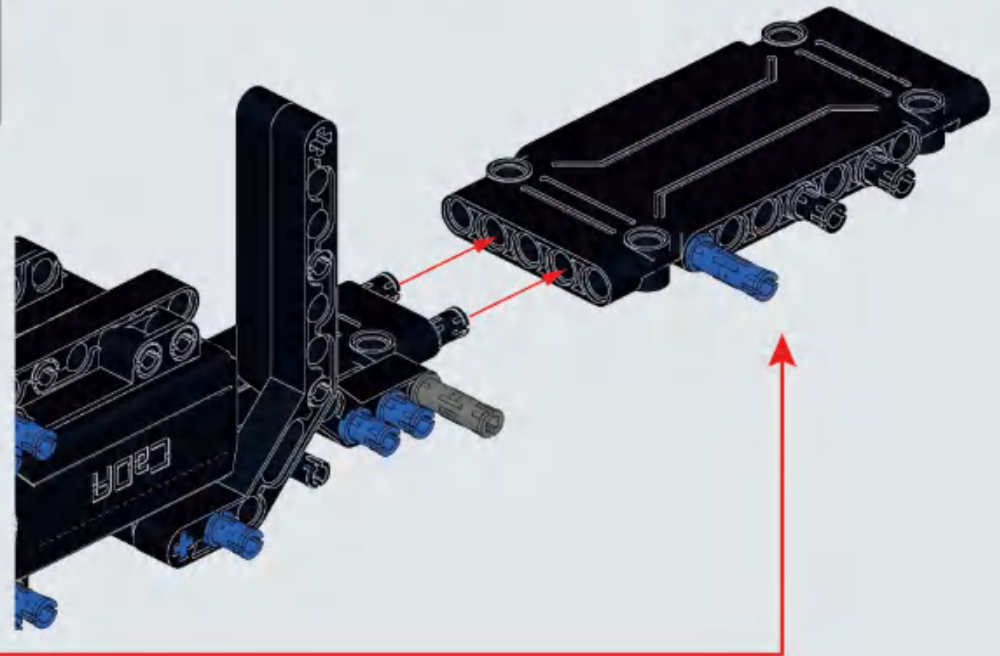
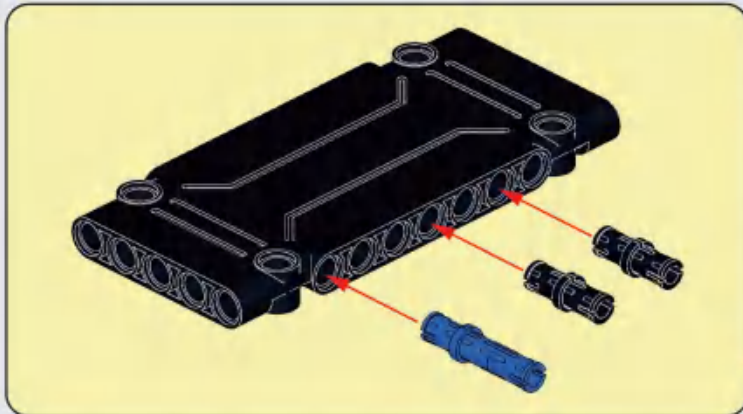


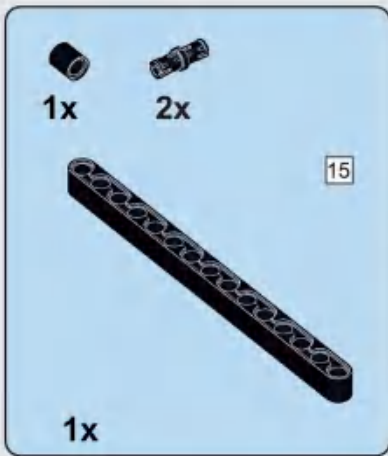


A91

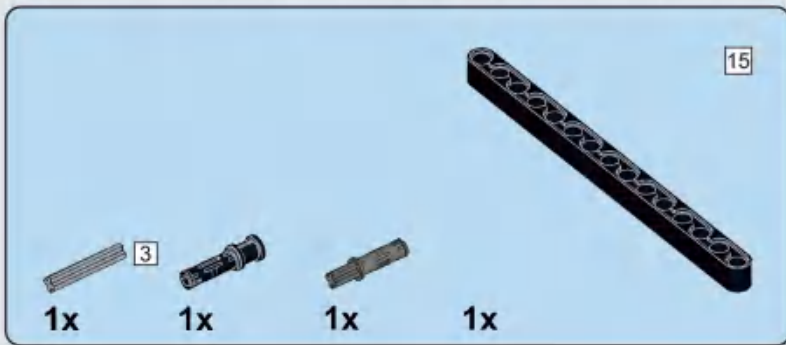
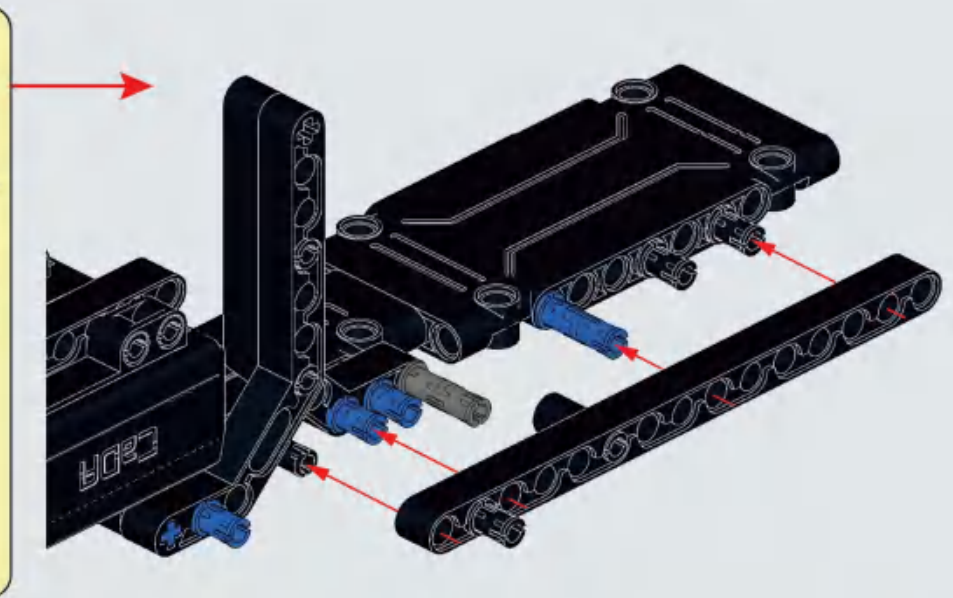
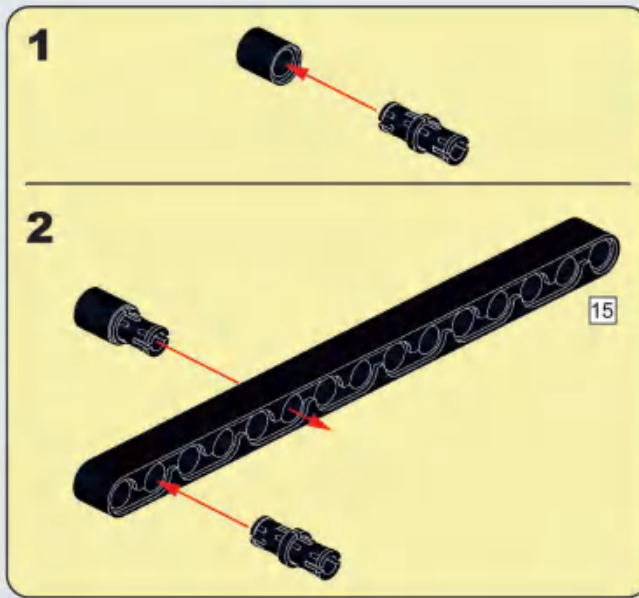


A92

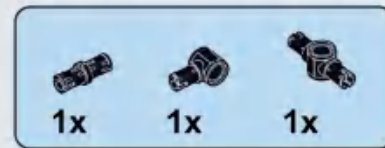
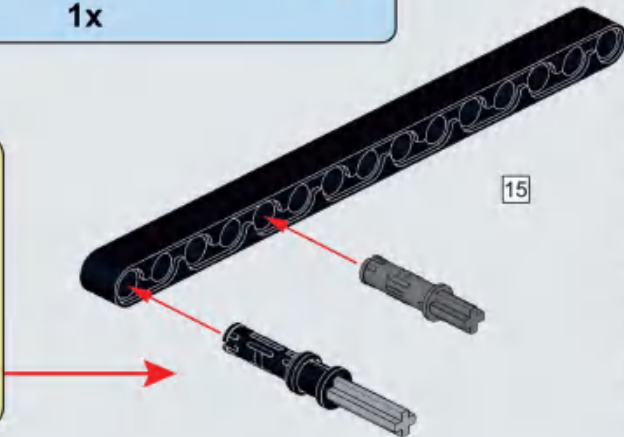
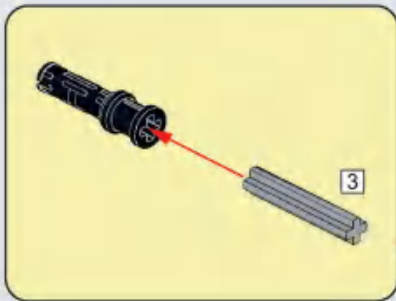




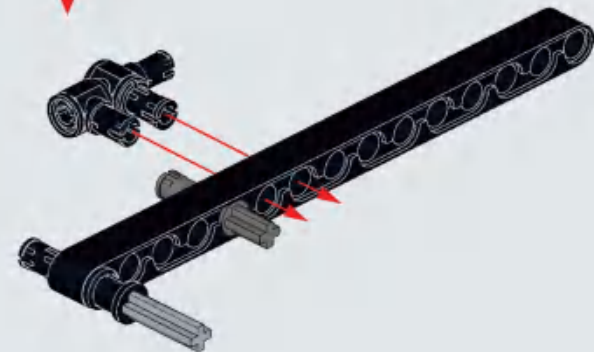
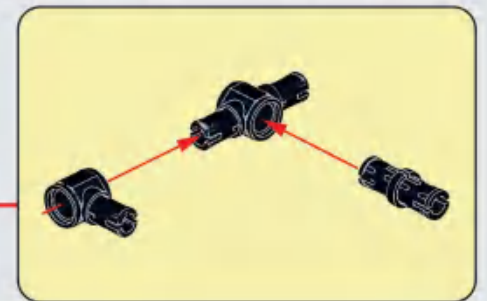
A93



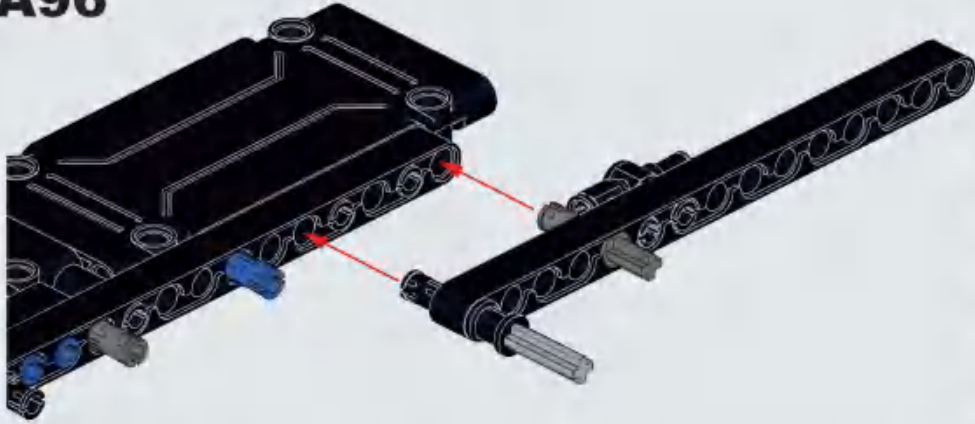
A94



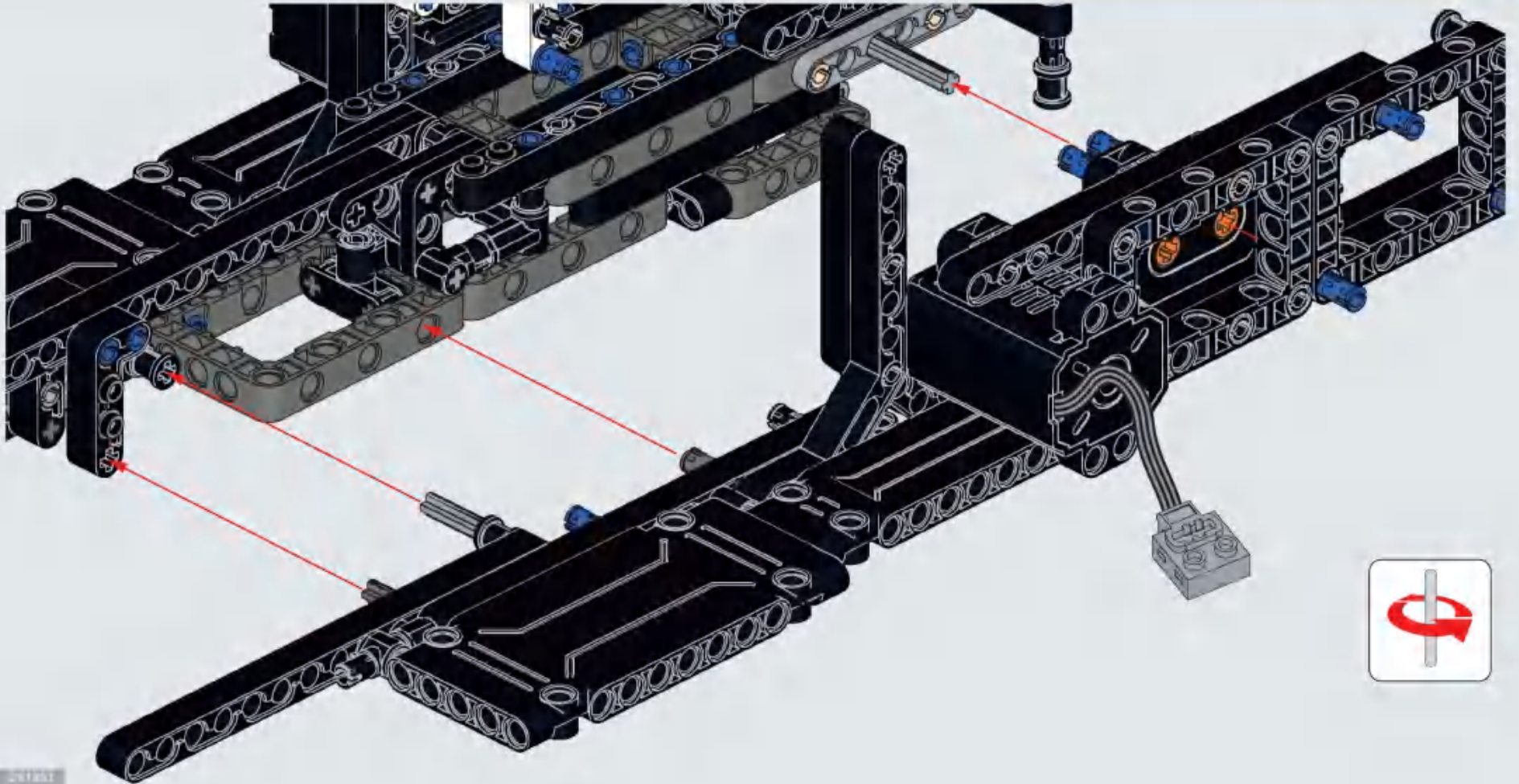
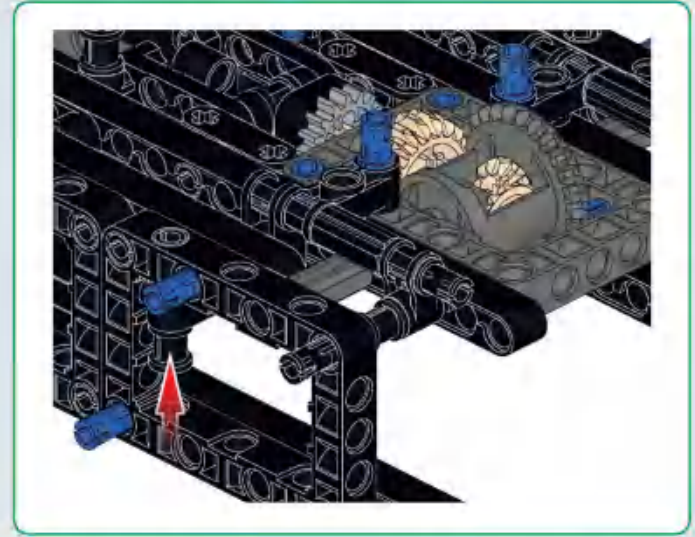
A95

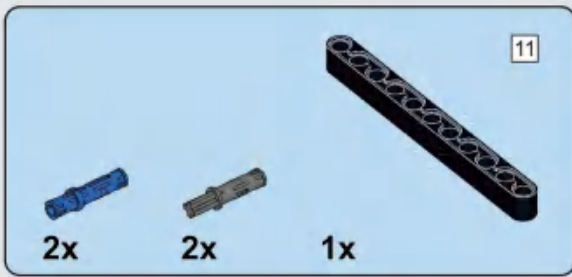


A96

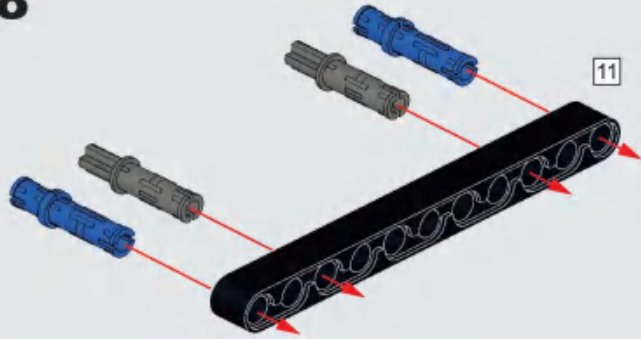


A97

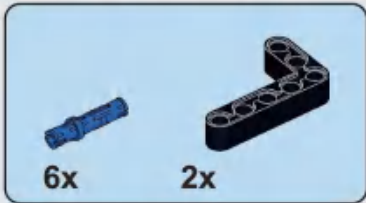
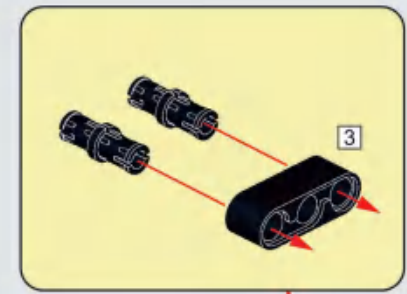
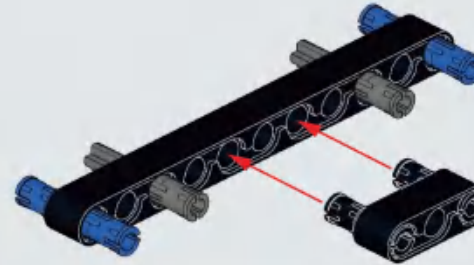




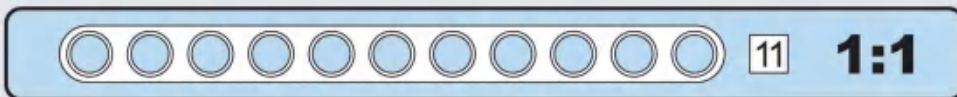
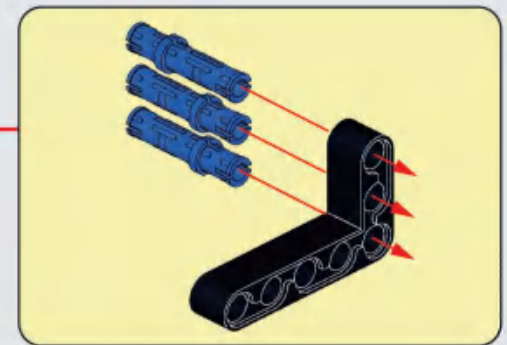
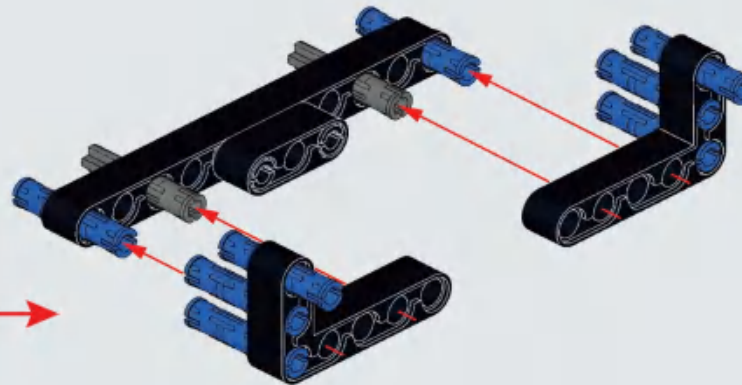
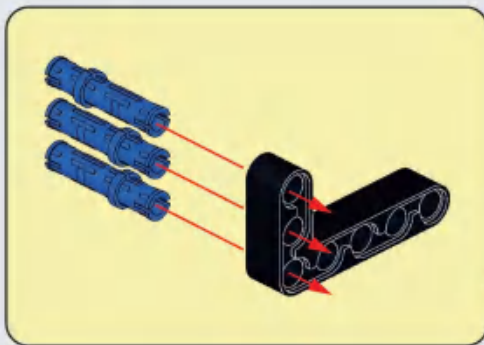
A98



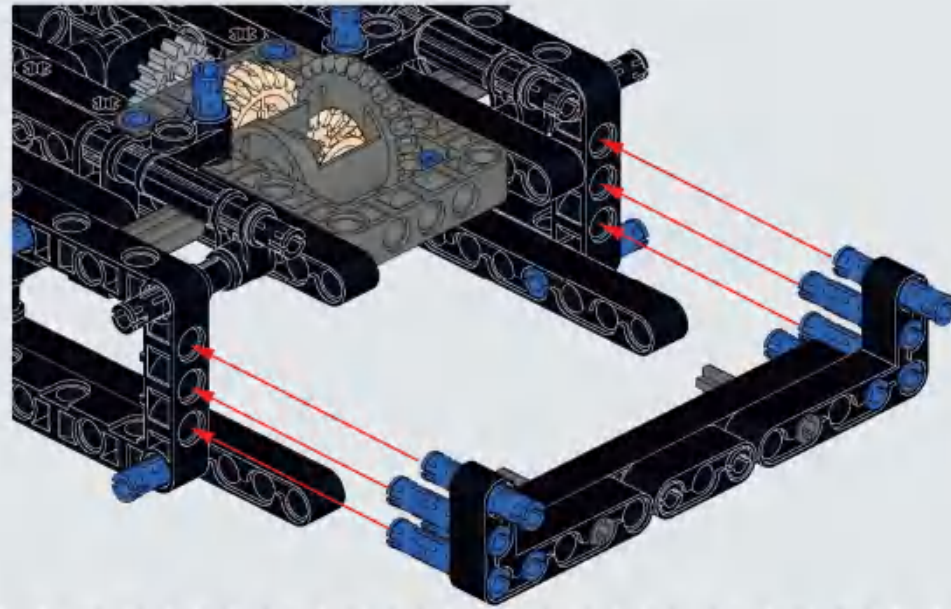
A99



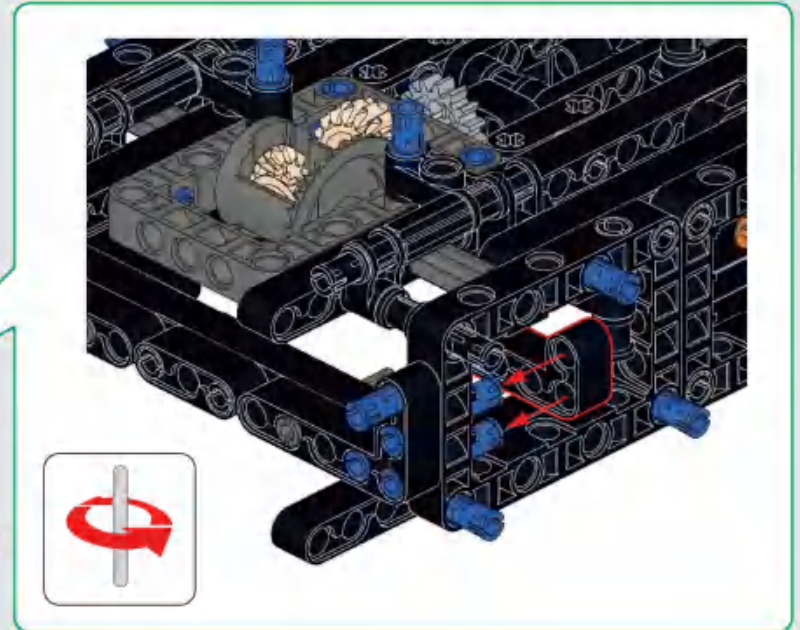
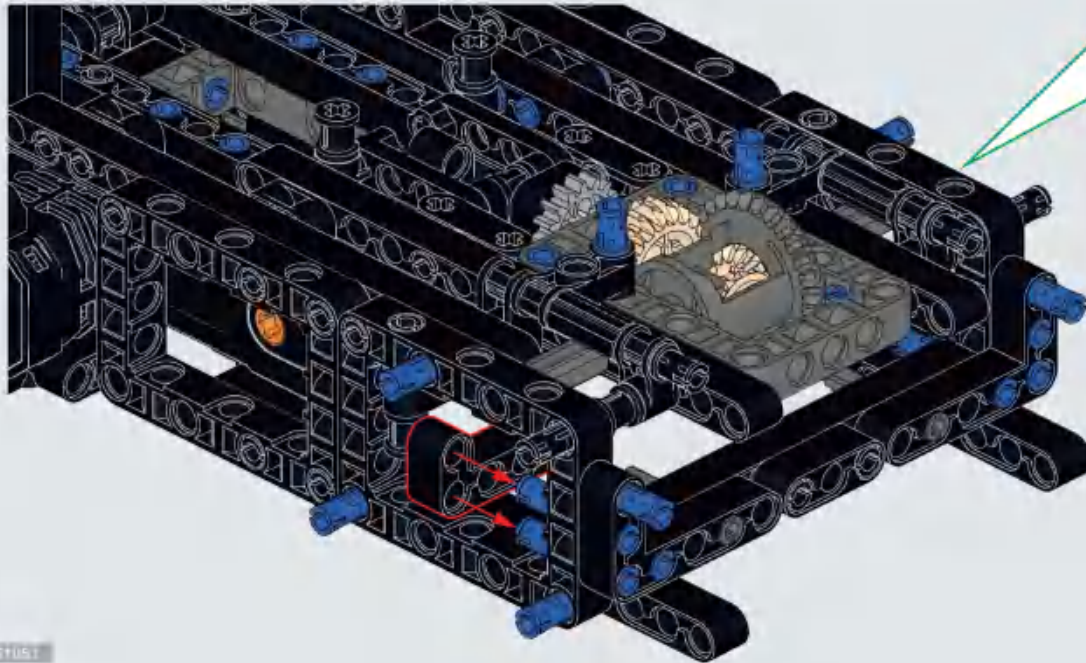
A100



A101

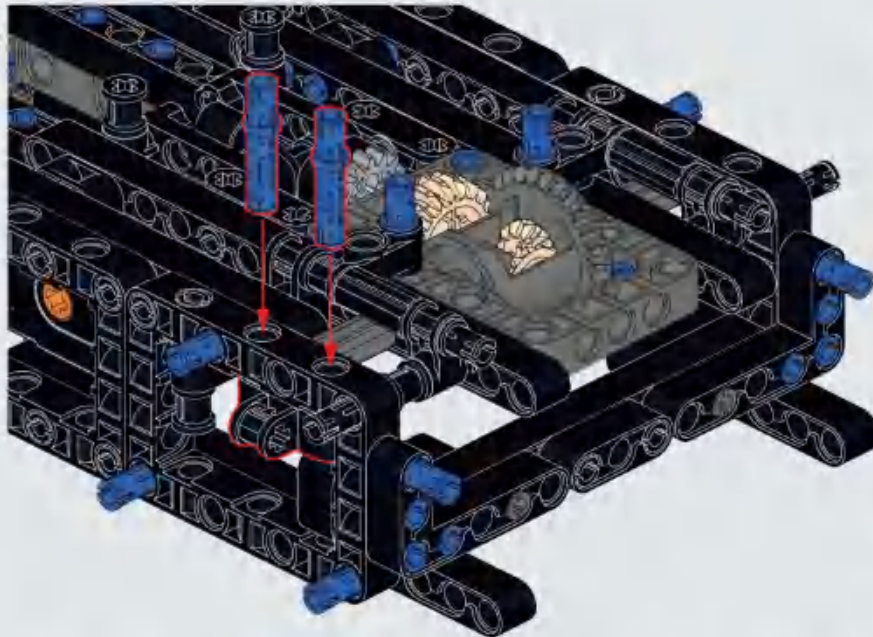


A102

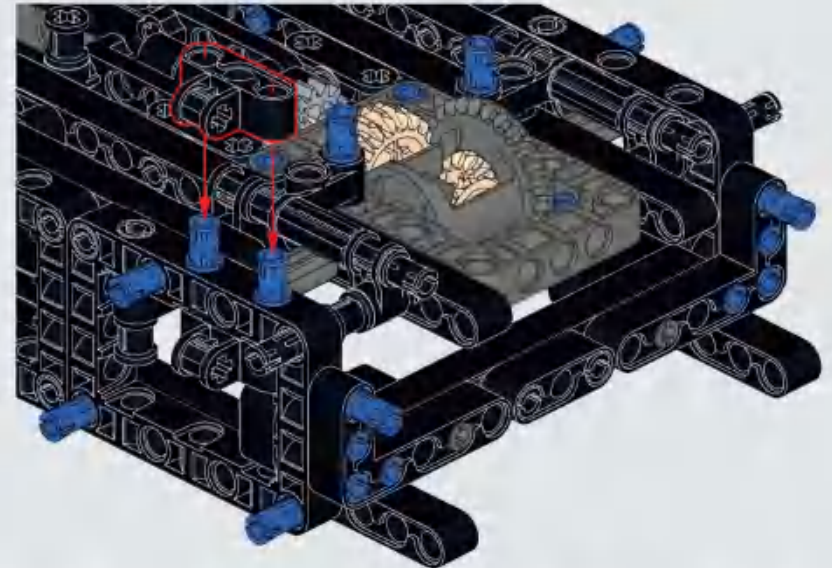




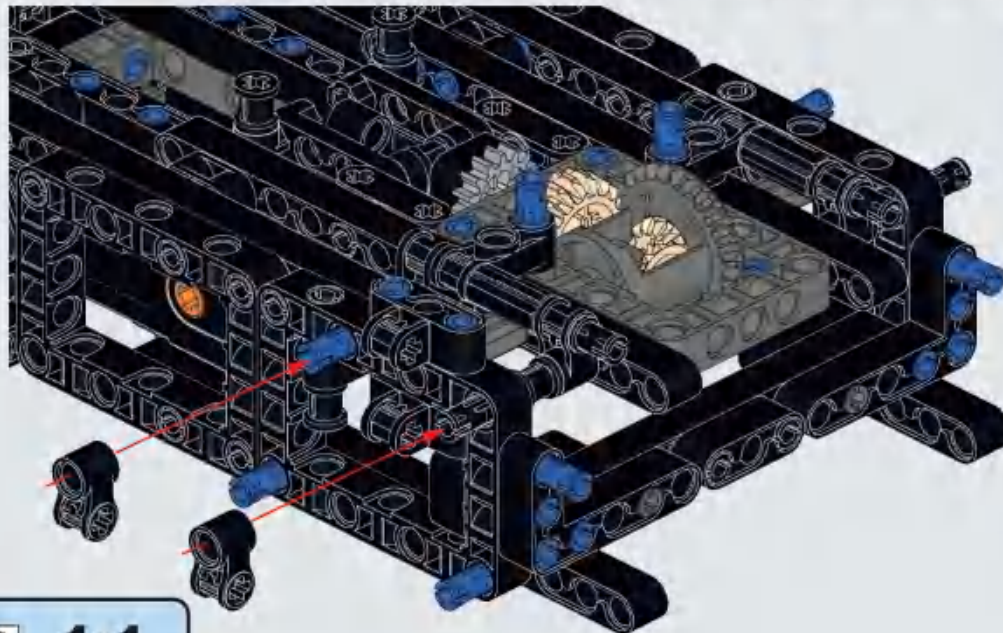
A103



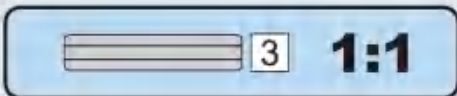
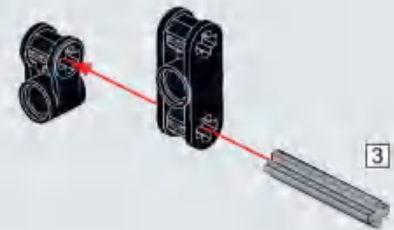
A104



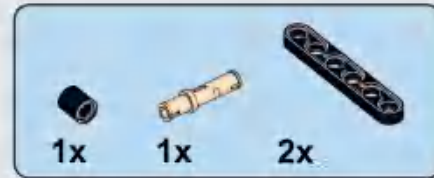
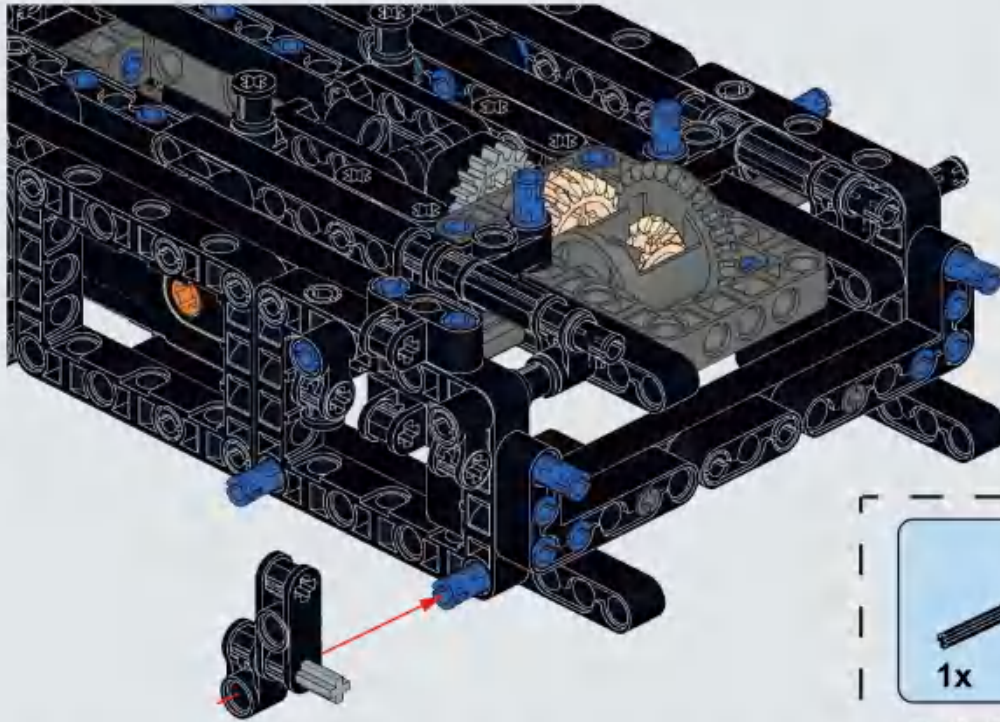
A105



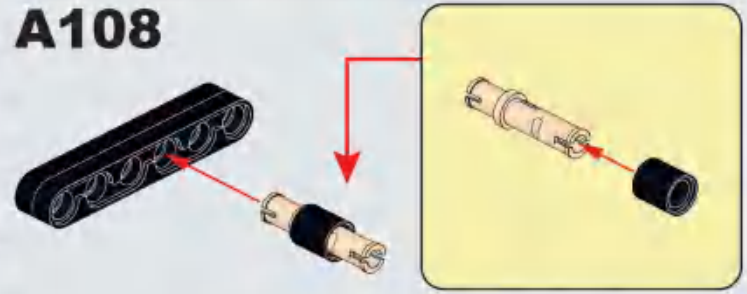
A106



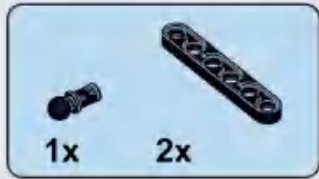
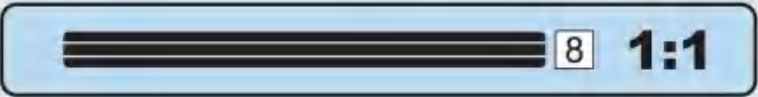
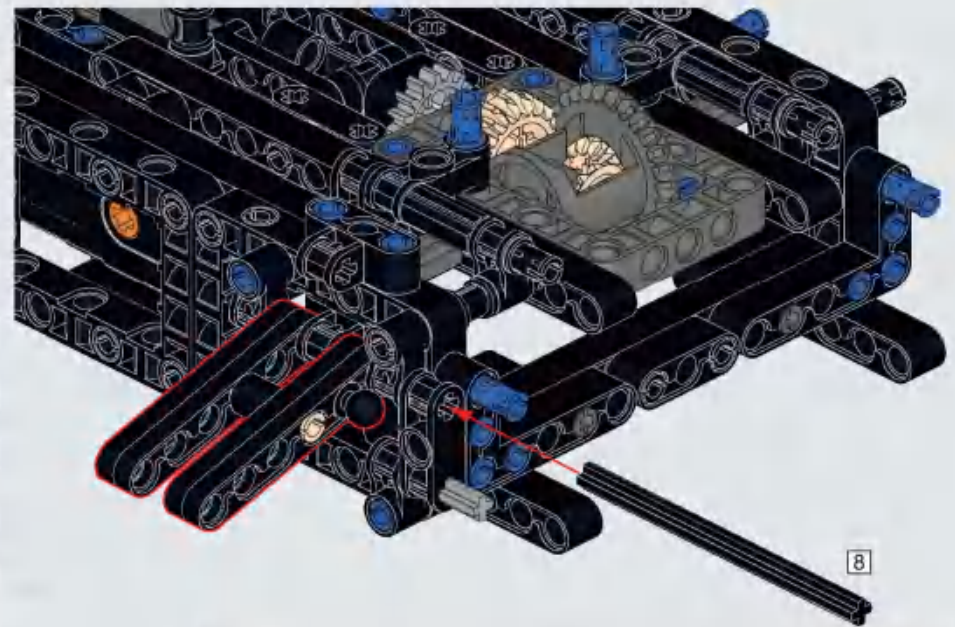
A107



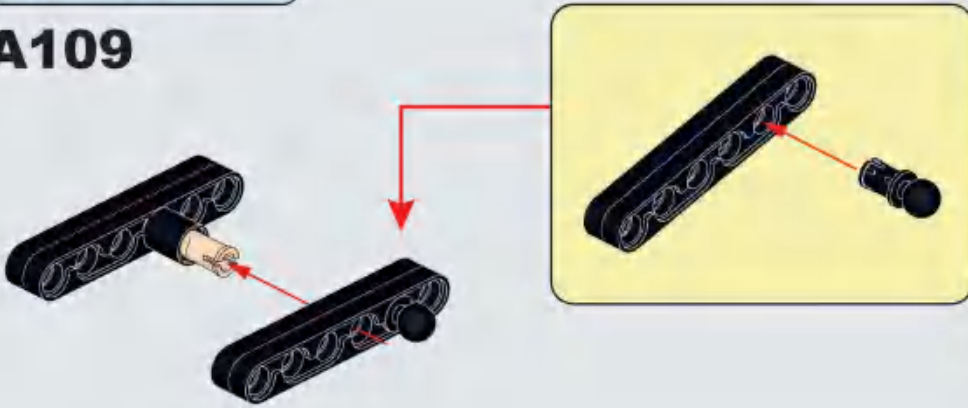
A108

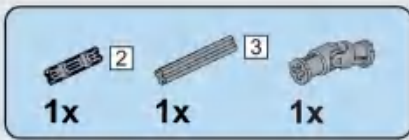


A110

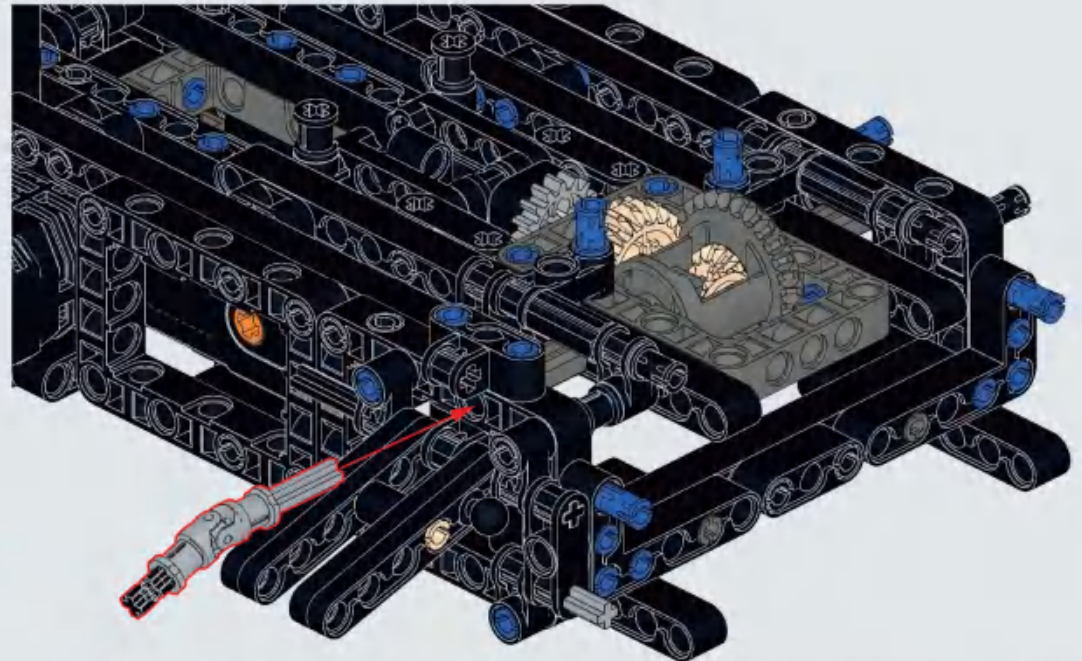
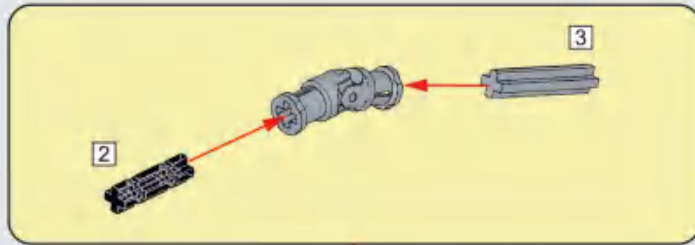


A109

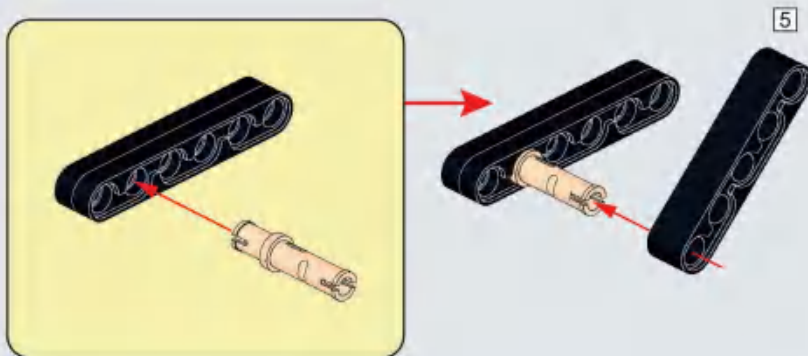




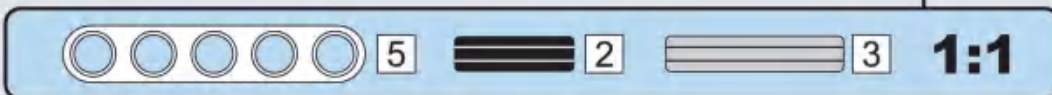
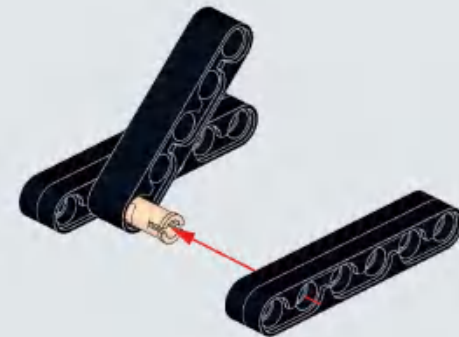
A111

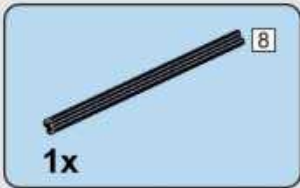


A112

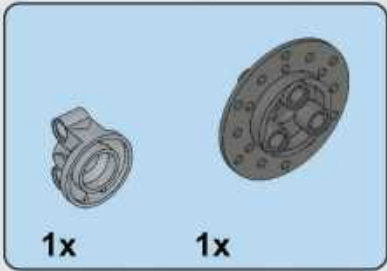
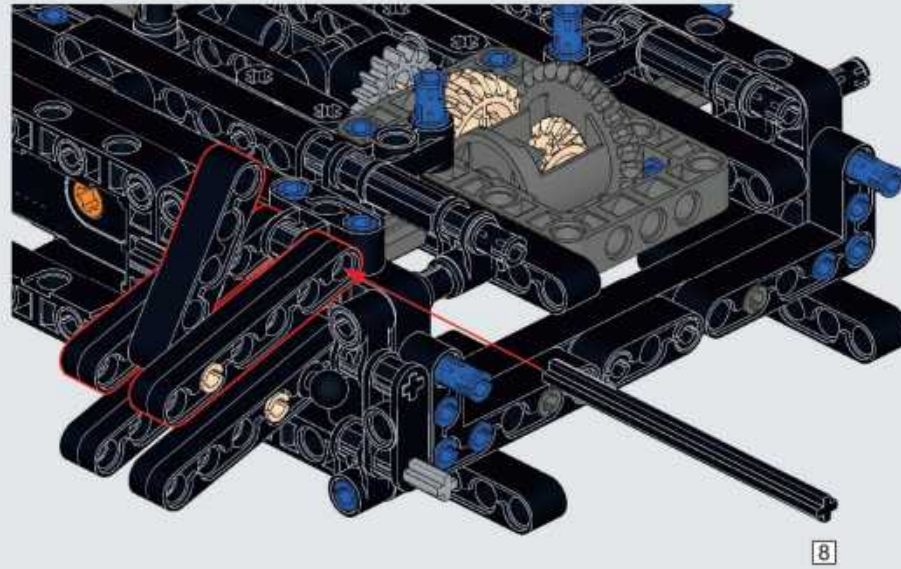


A113

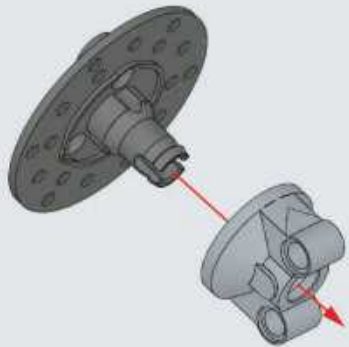




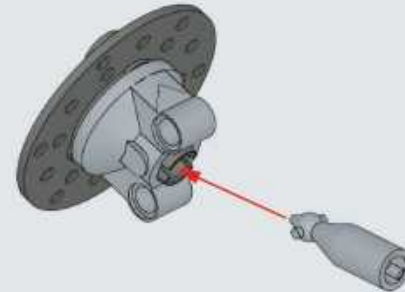
A114



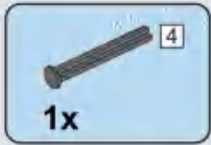
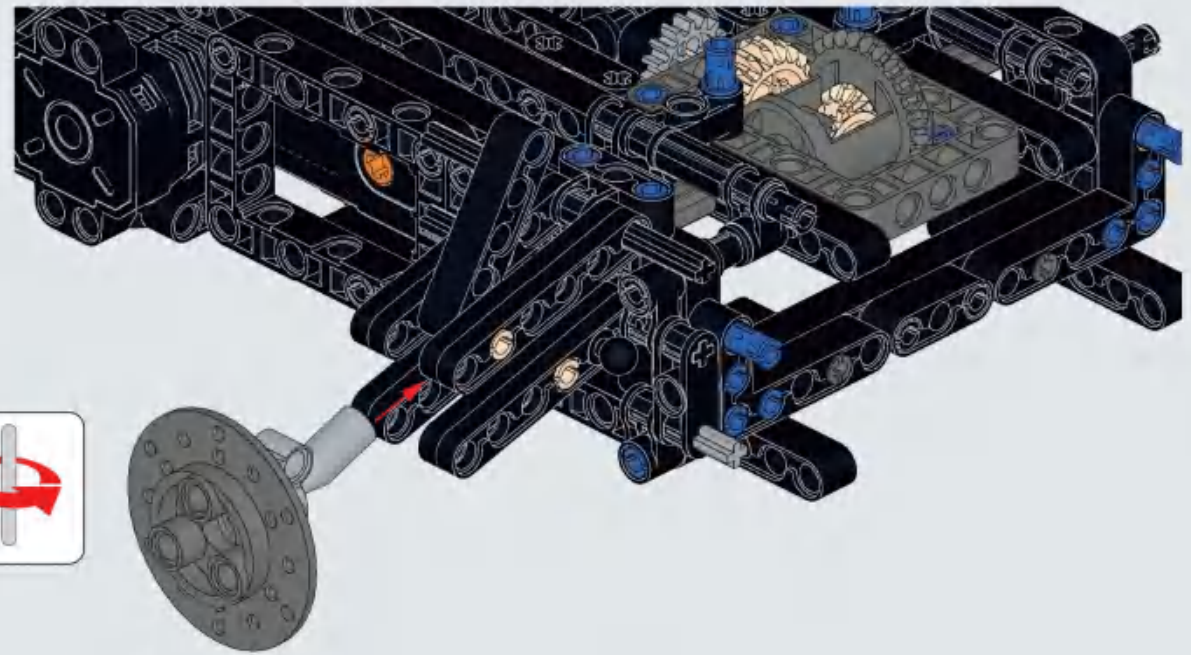
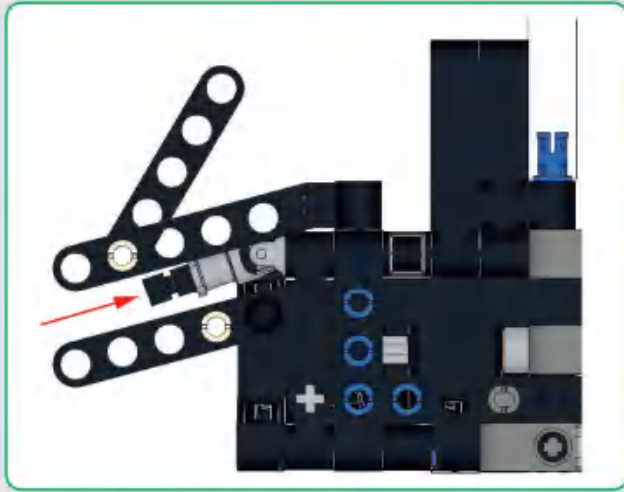
A115



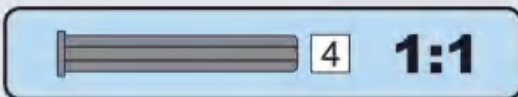
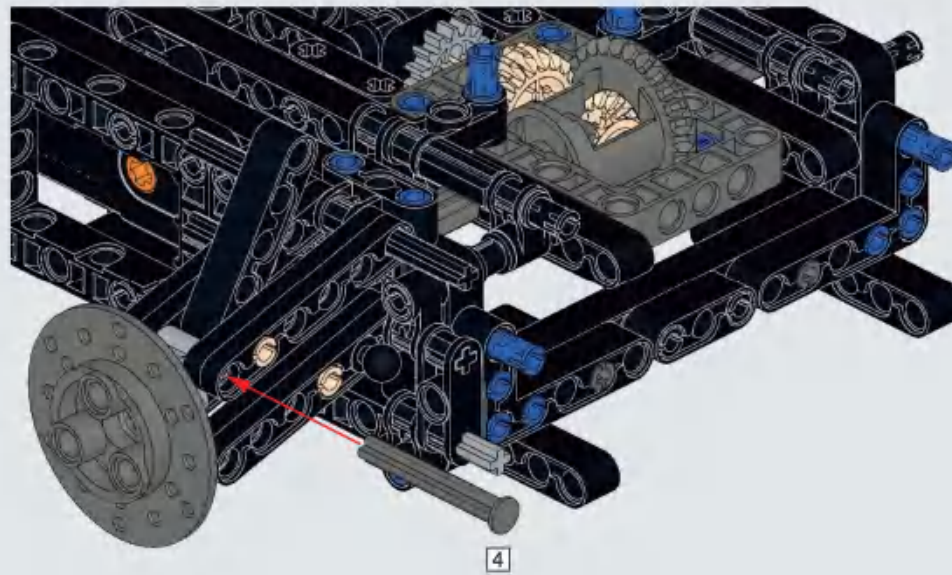
A116



A117

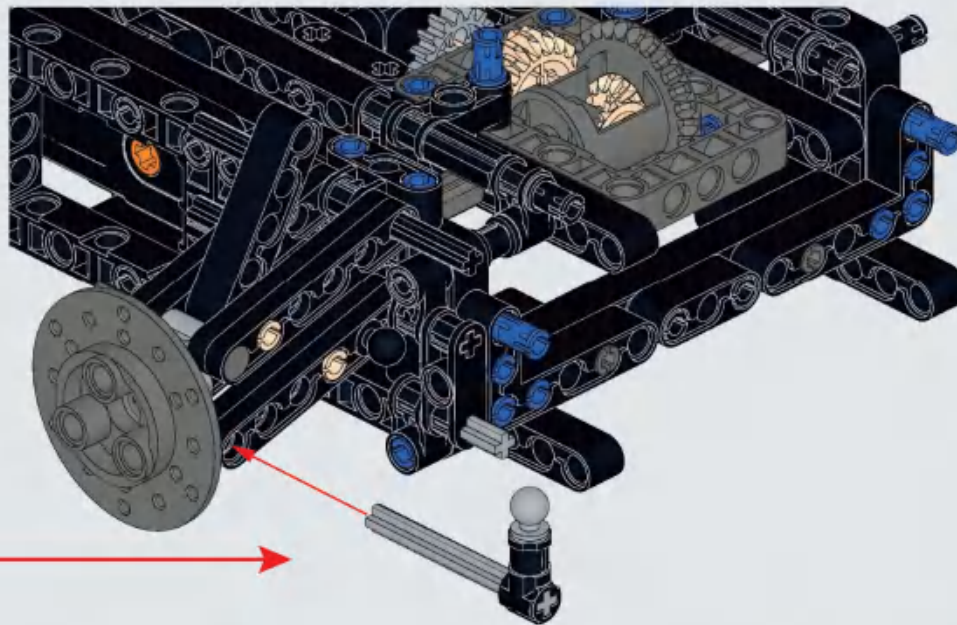
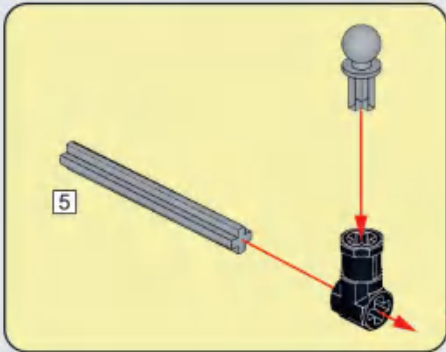


A118

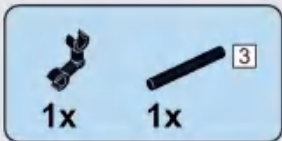




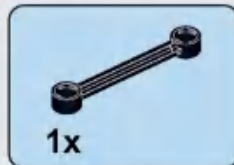
A119



A120



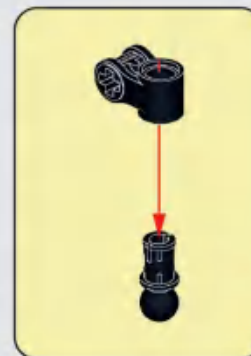
A121



A122

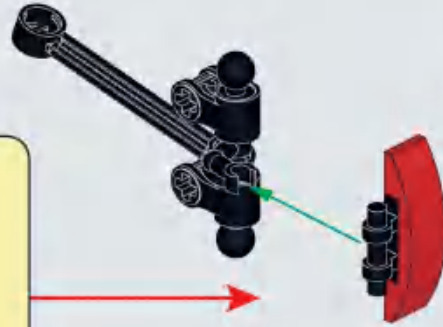
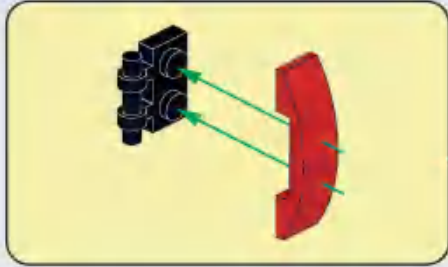


A123

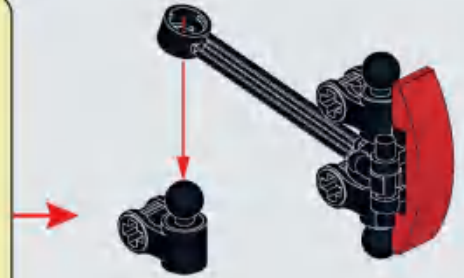




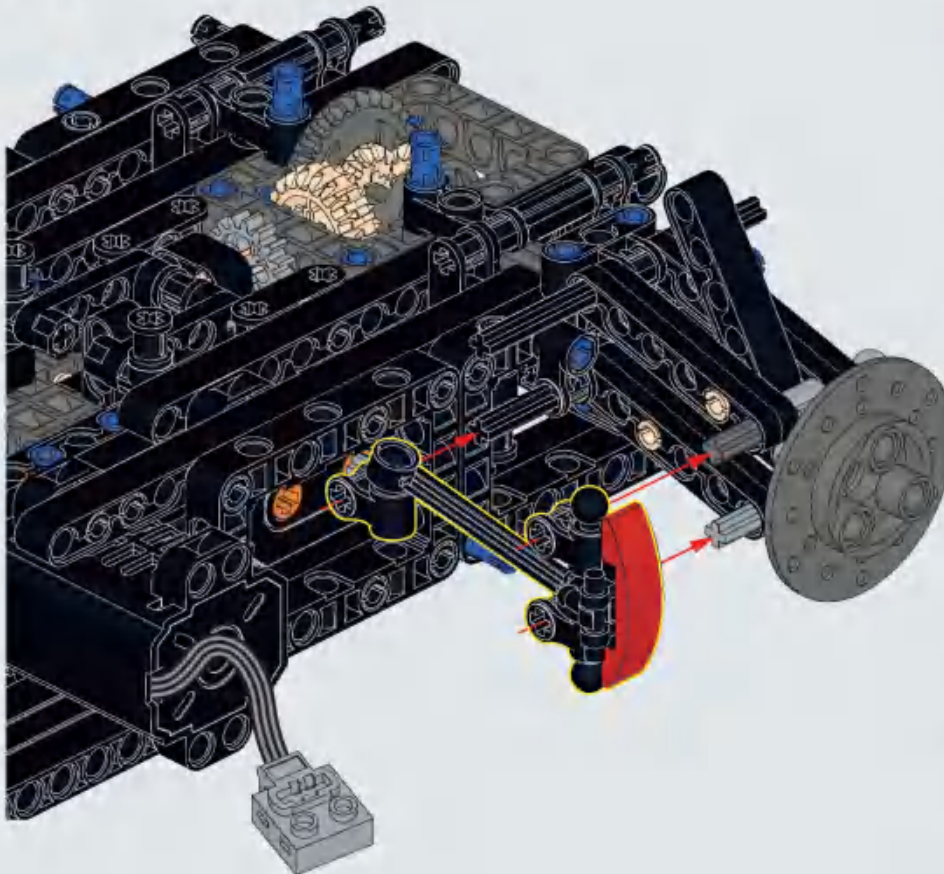
A124



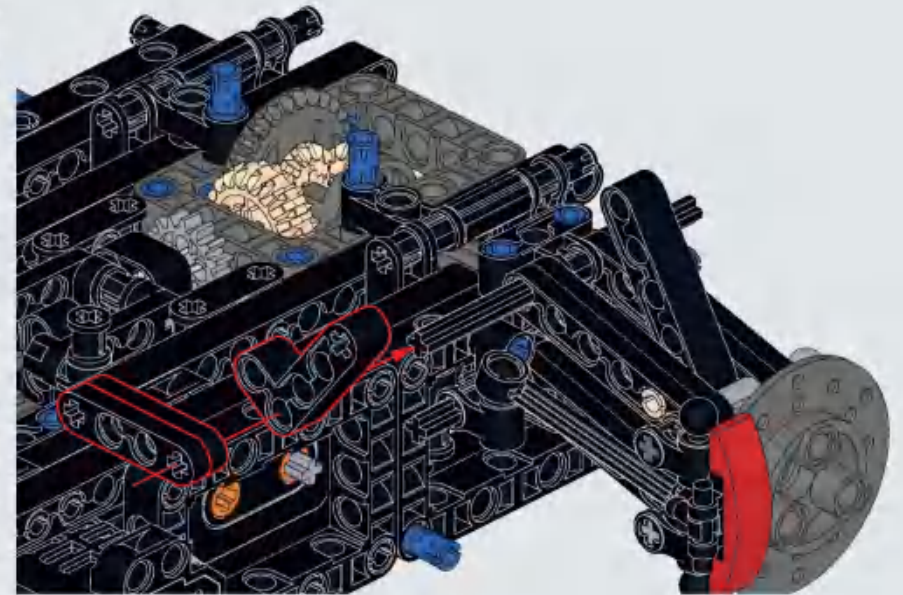
A125

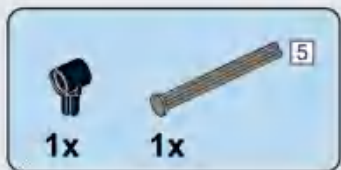


A126

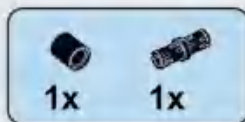
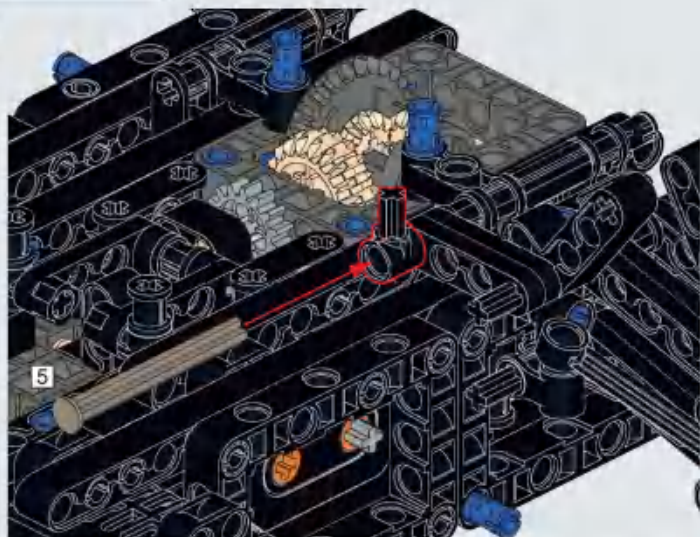


A127

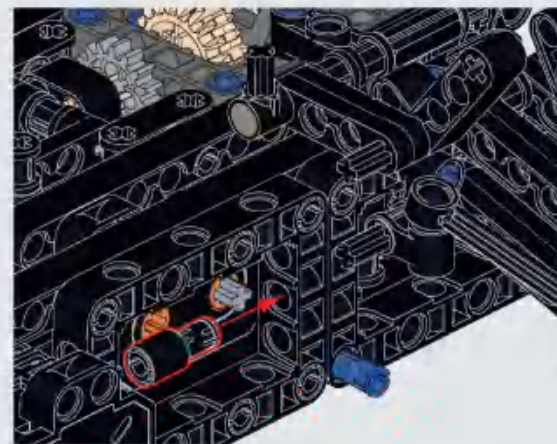
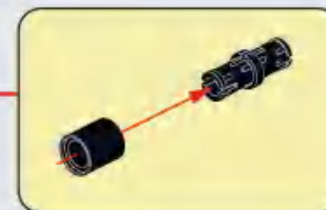




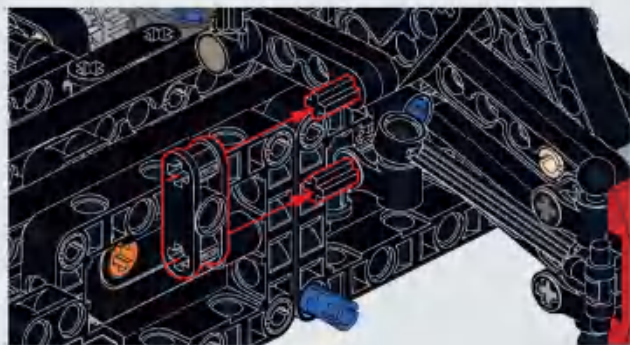
A128



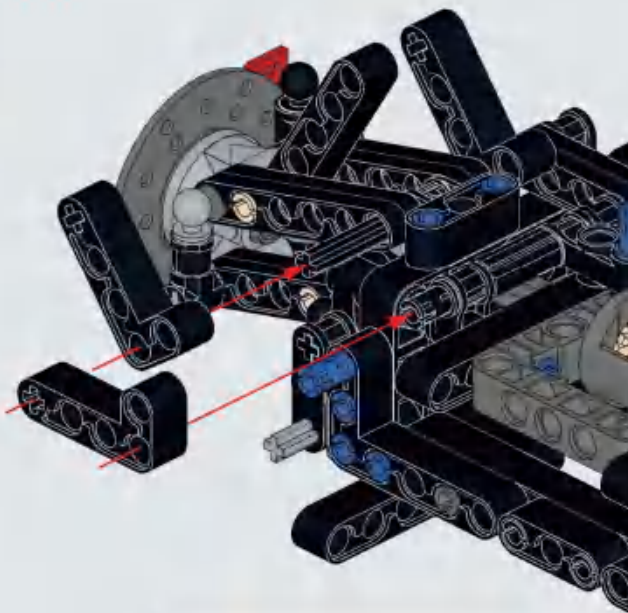
A129

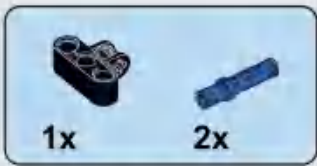


A130

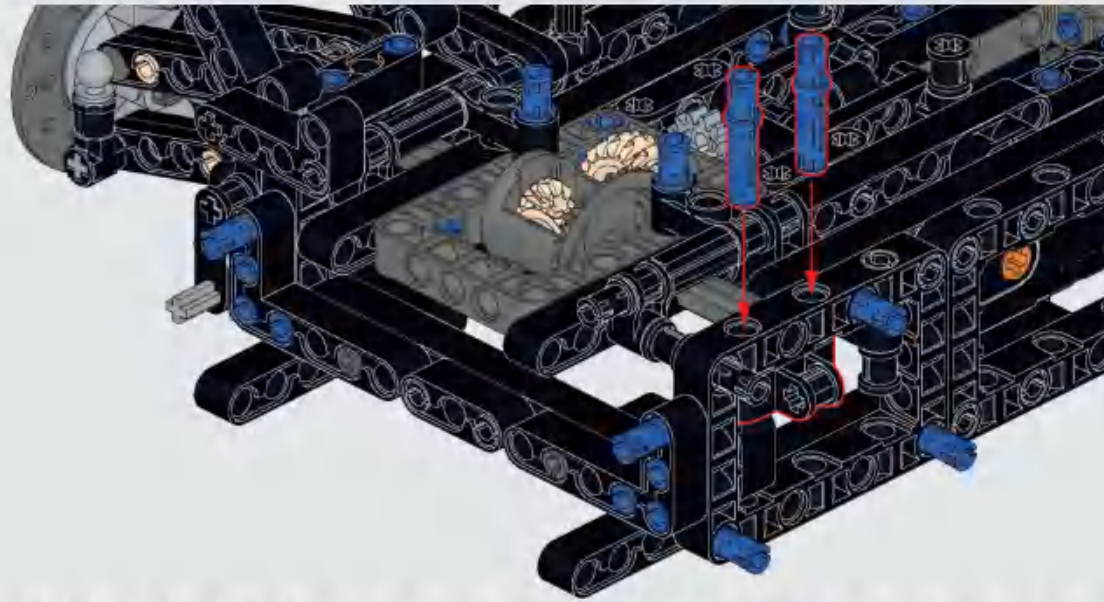


A131

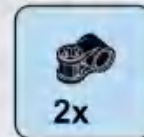
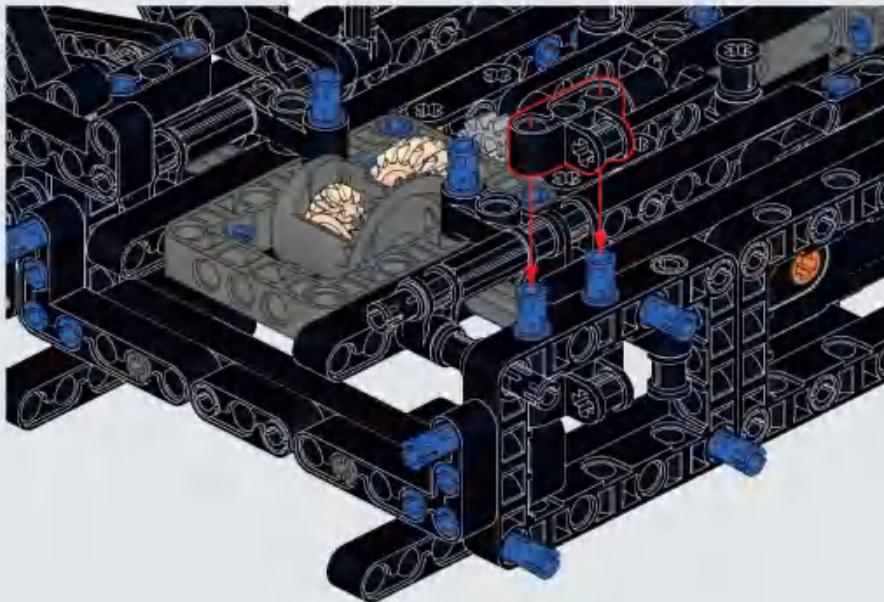




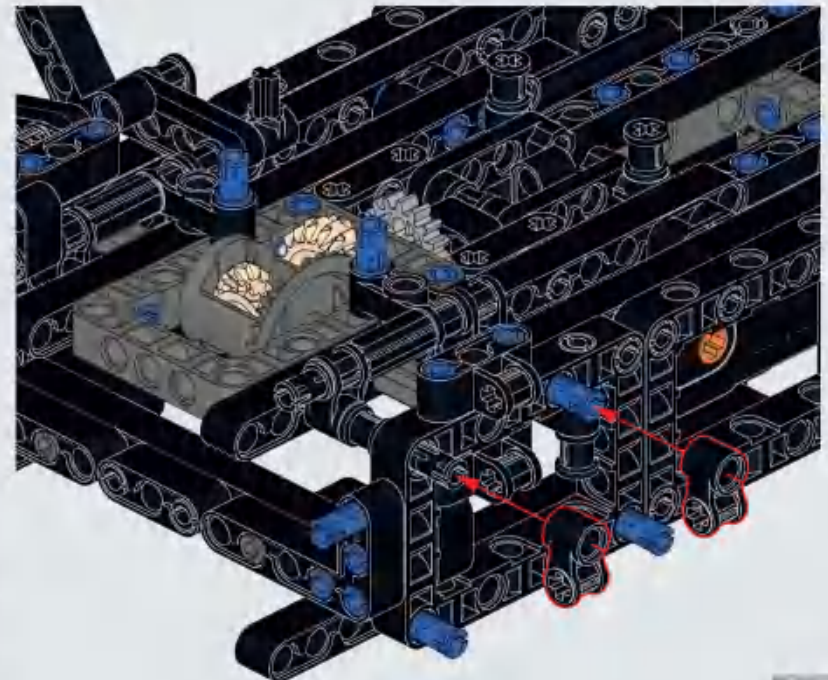
A132



A133

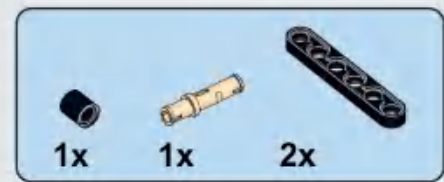
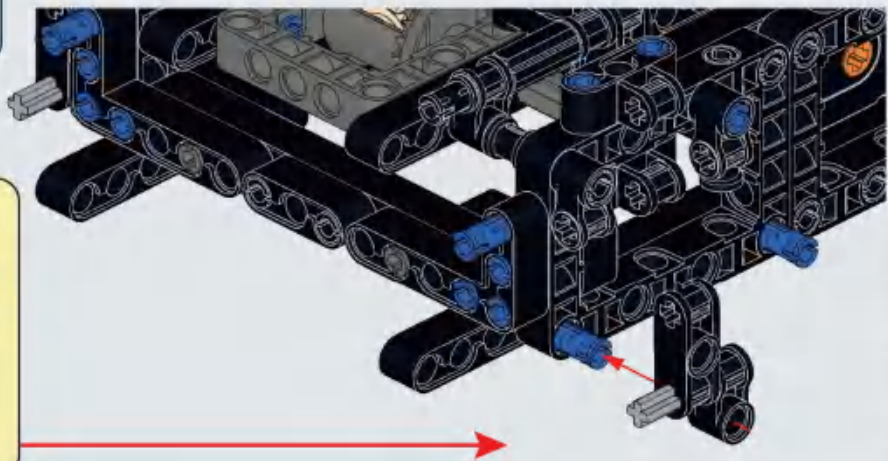
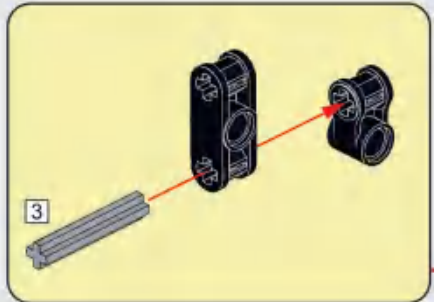


A134

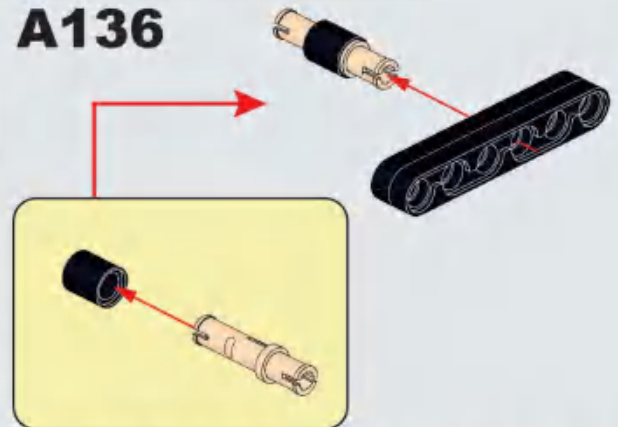




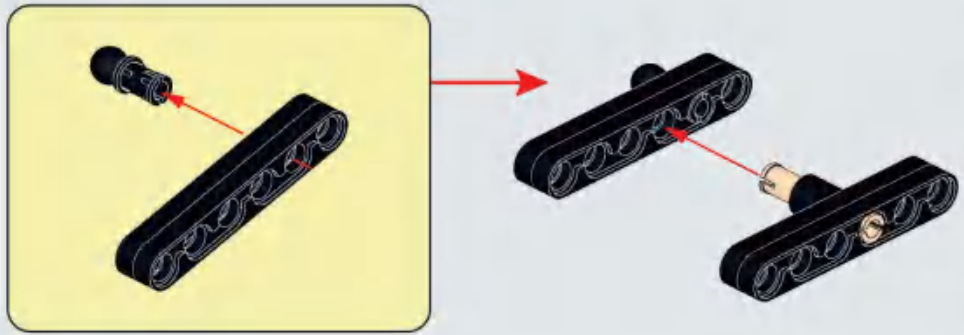
A135



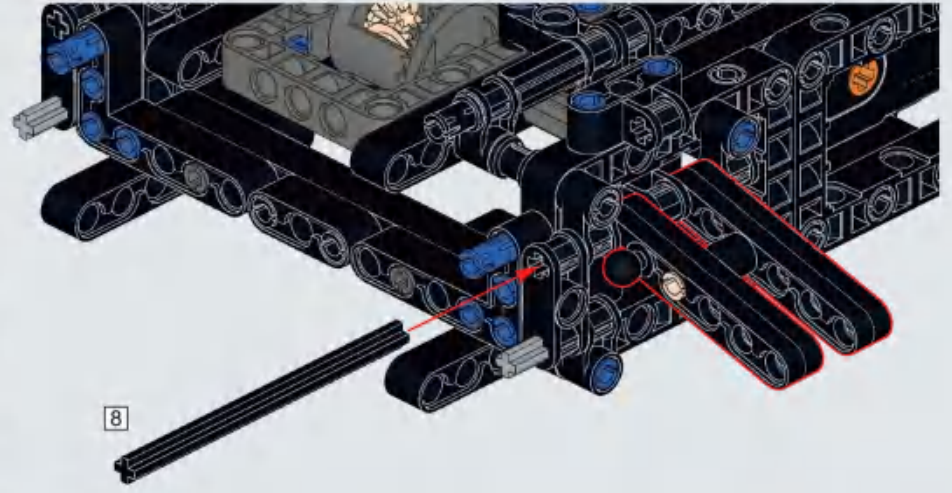
A136

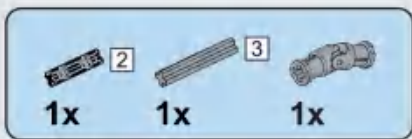


A137

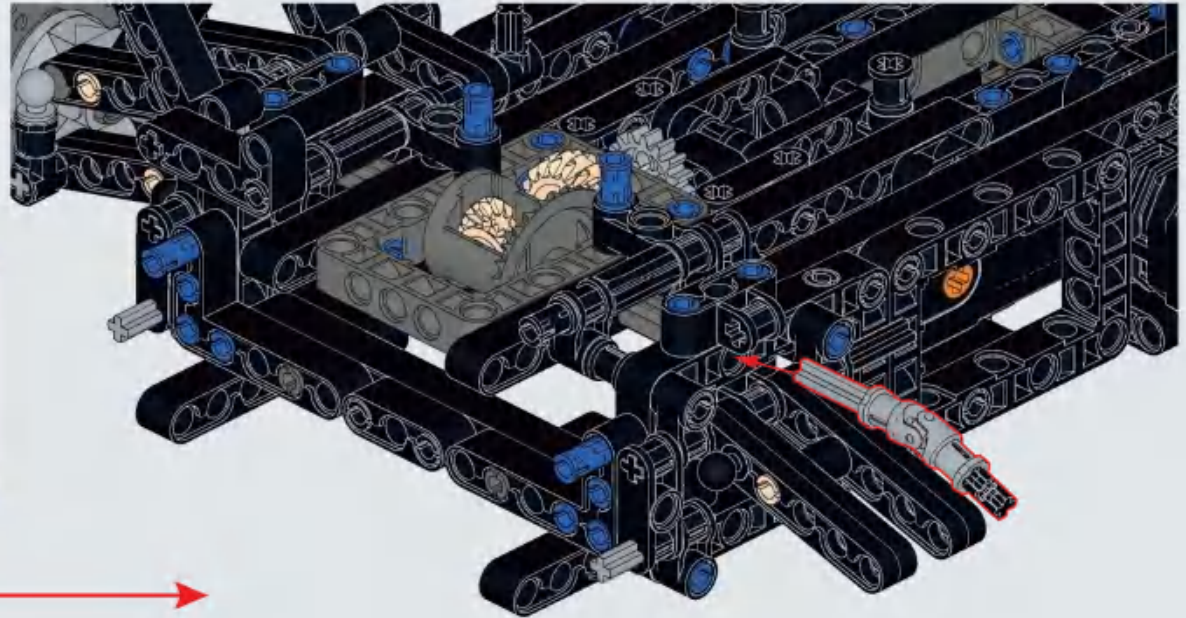
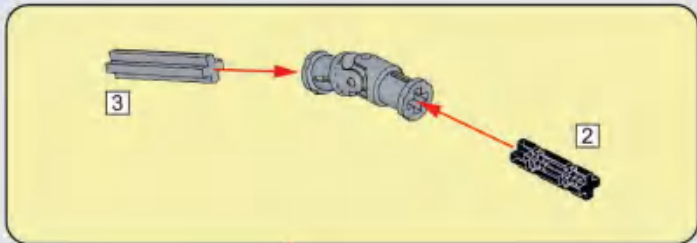


A138

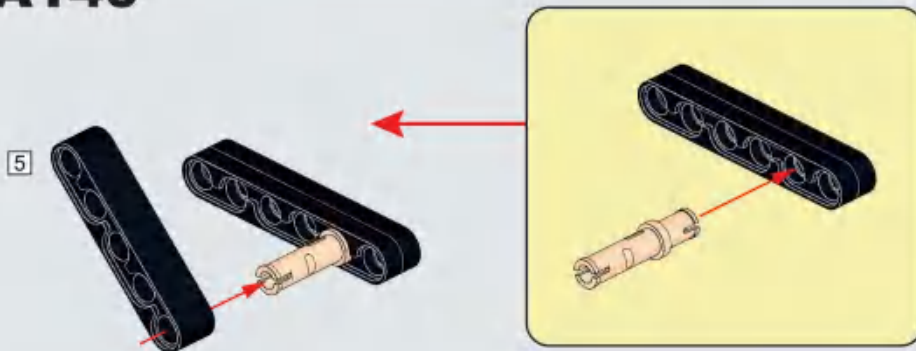




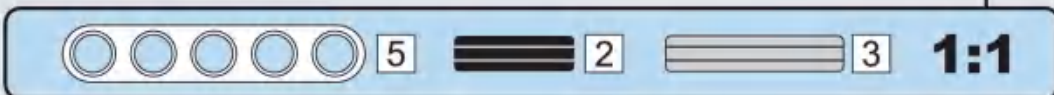
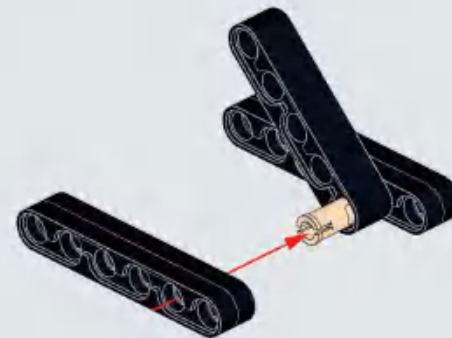
A139



A140

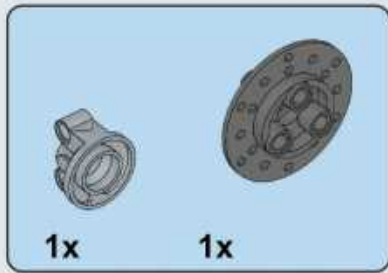
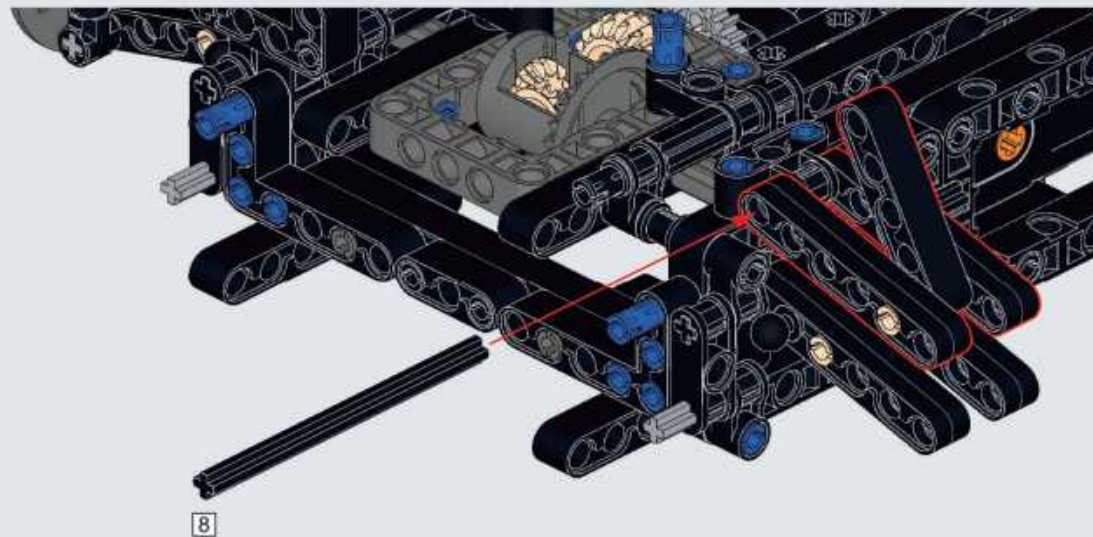


A141

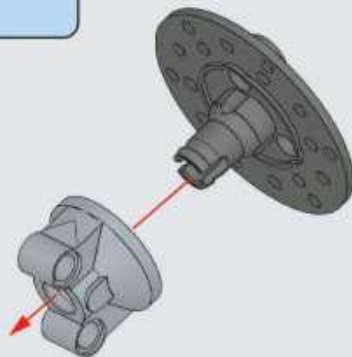




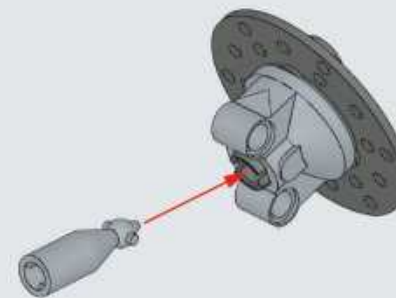
A142



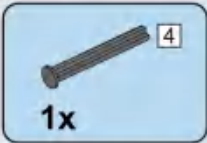
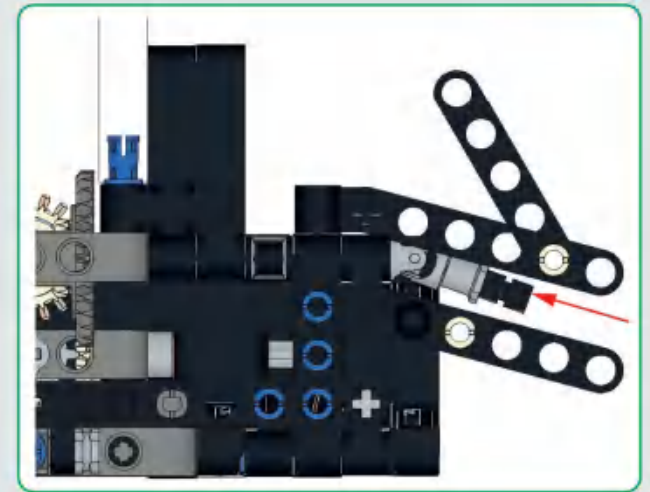
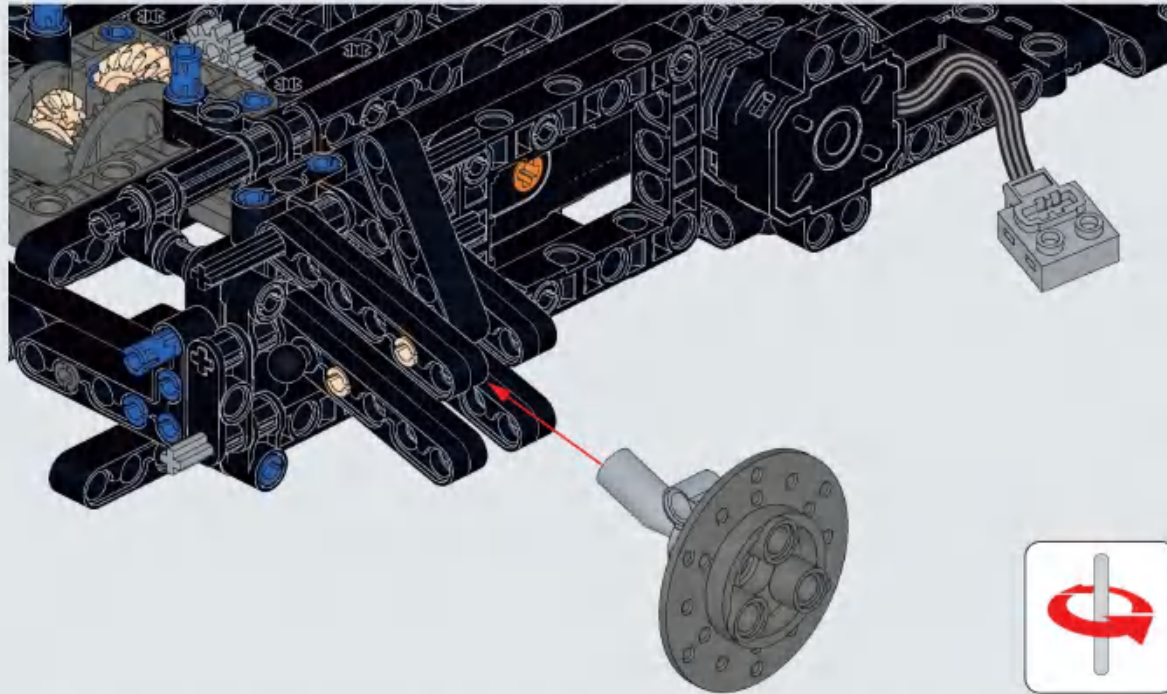
A143



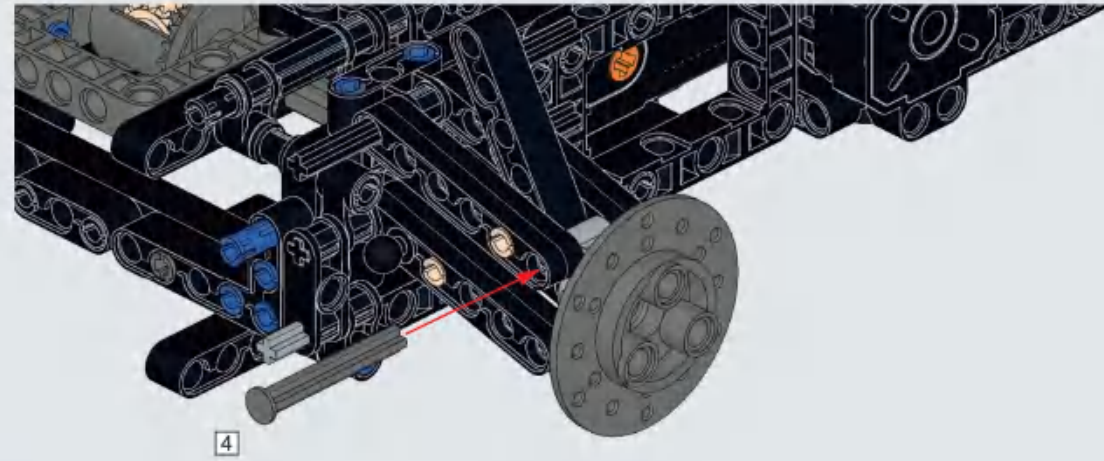
A144

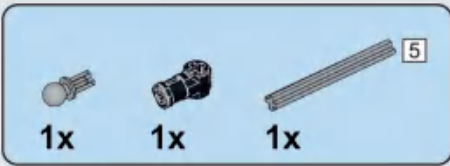


A145

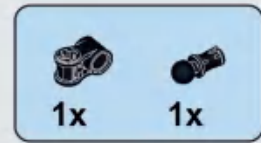
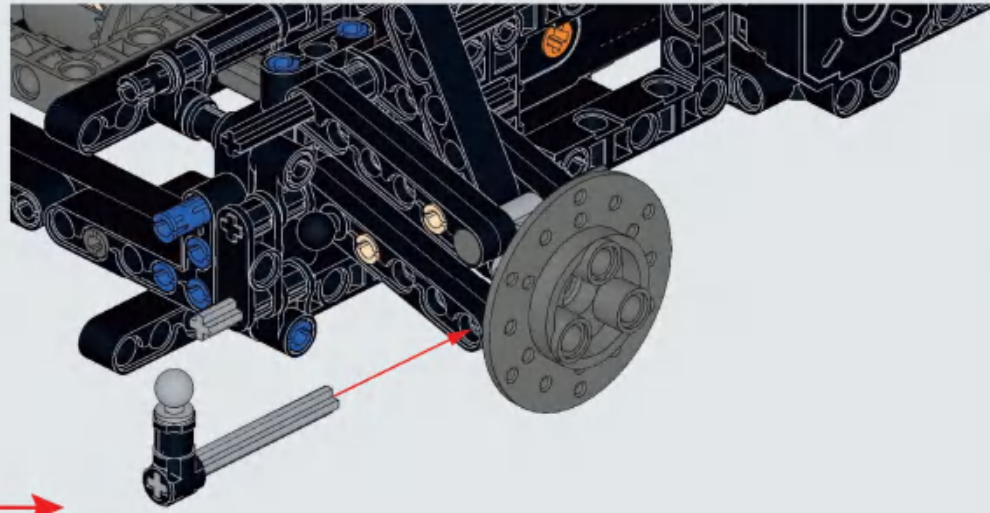
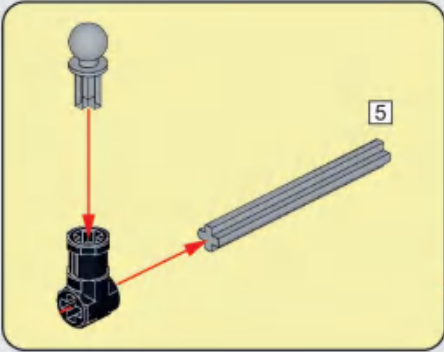


A146





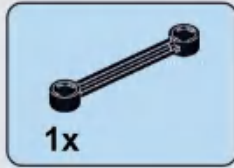
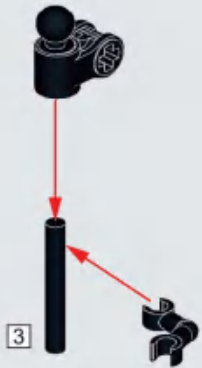
A147



A148



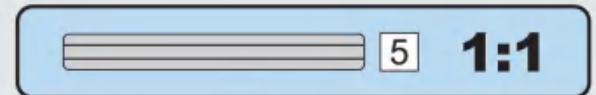
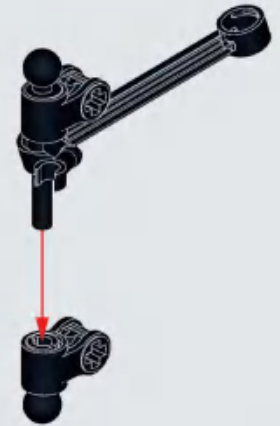
A149



A150

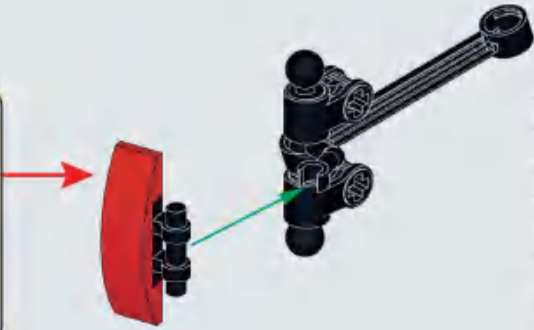
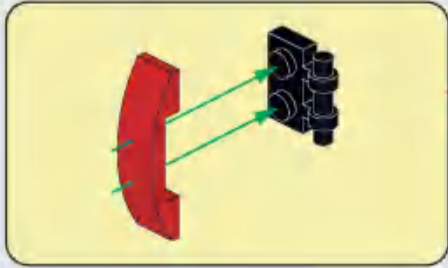


A151

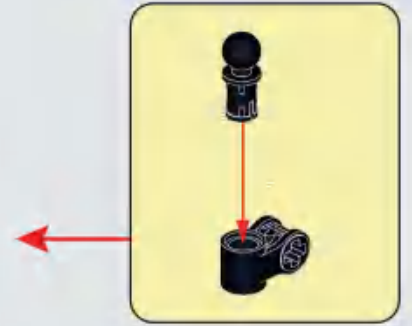
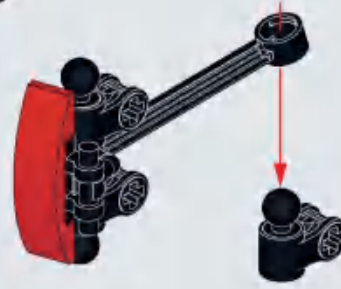




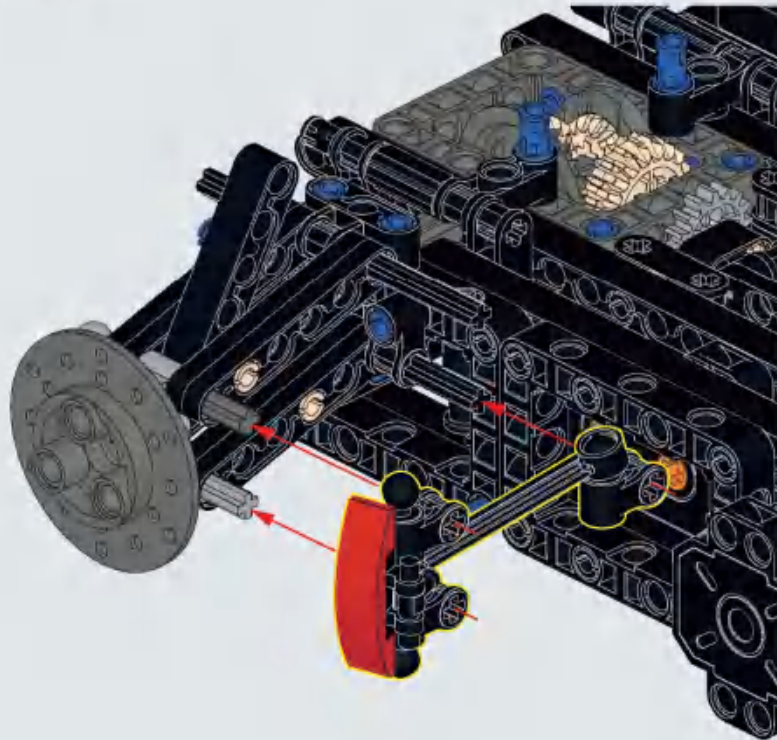
A152



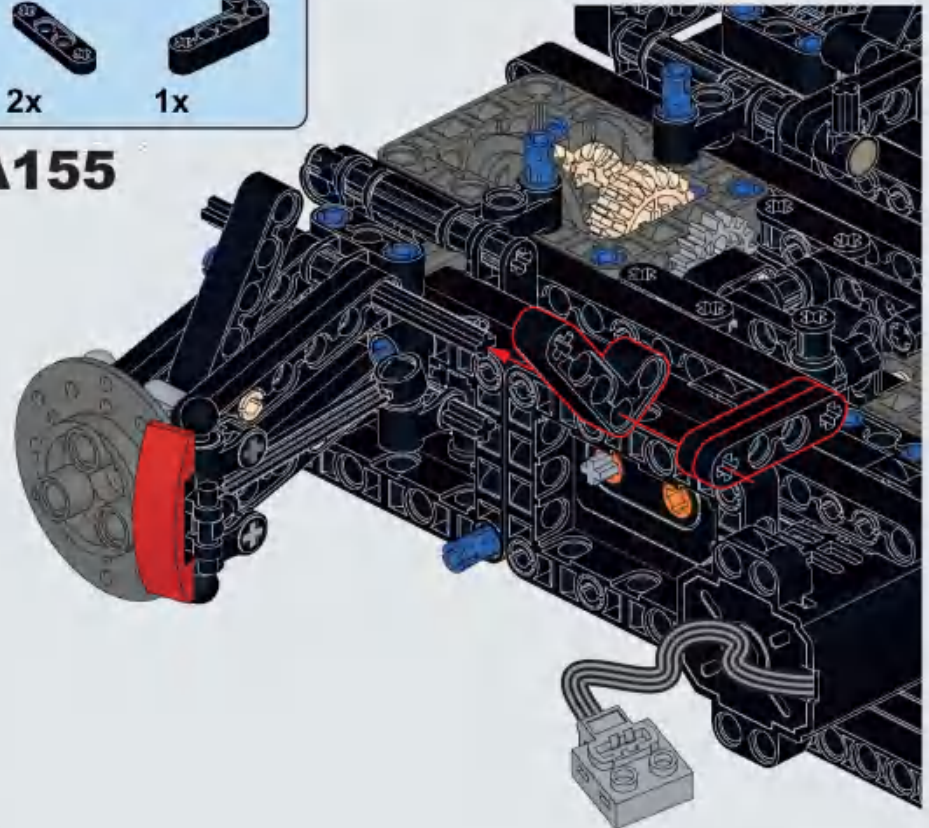
A153



A154

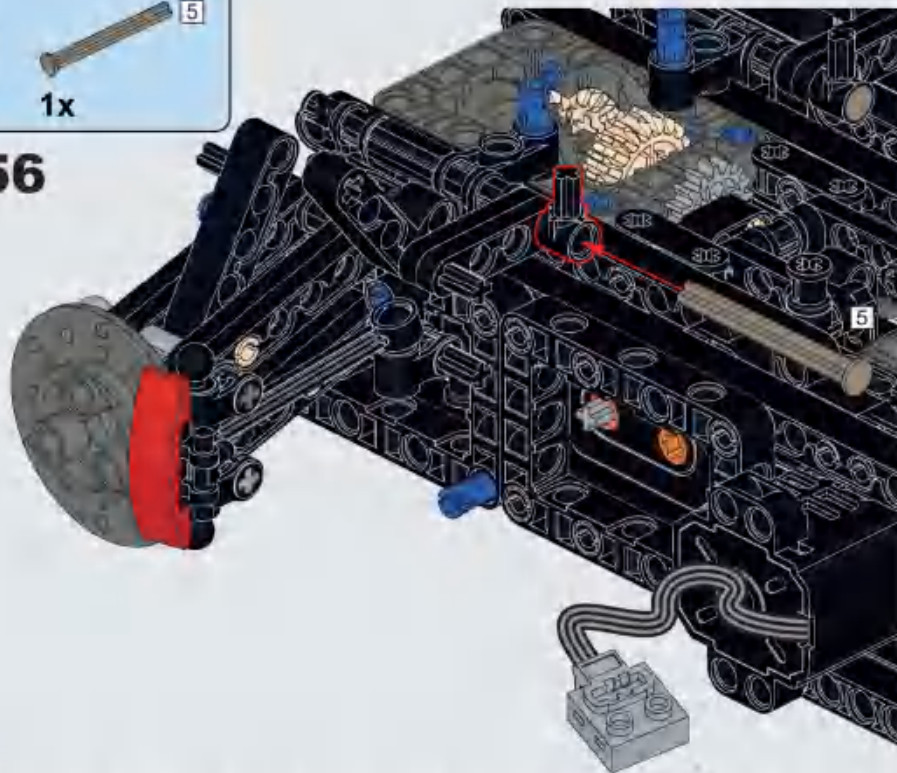


A155

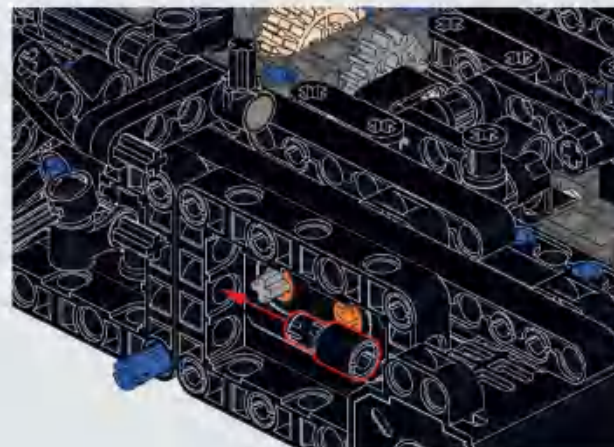




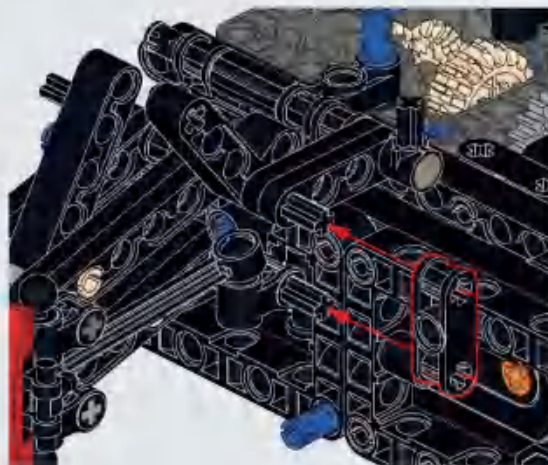
A156



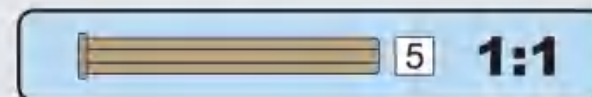
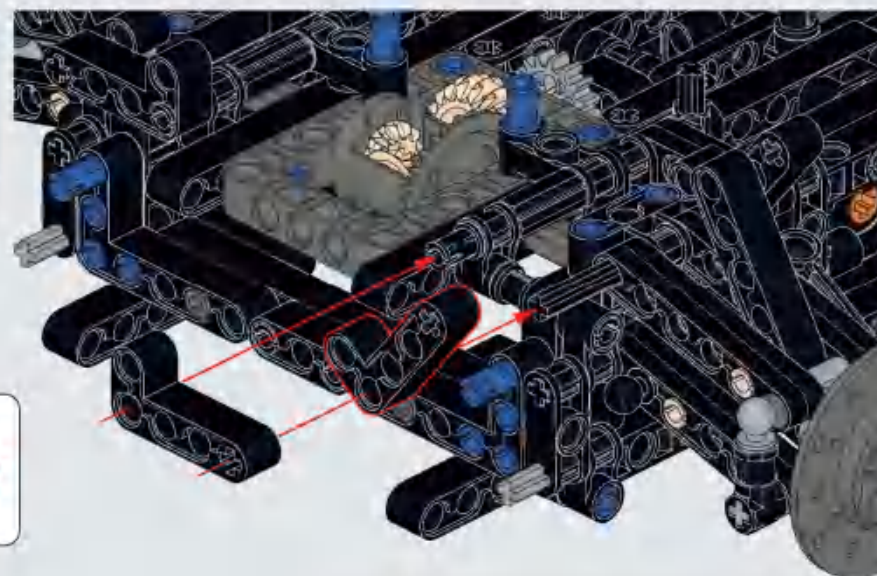
A157

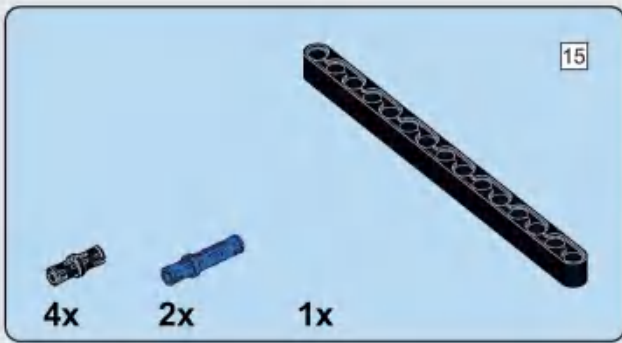


A158

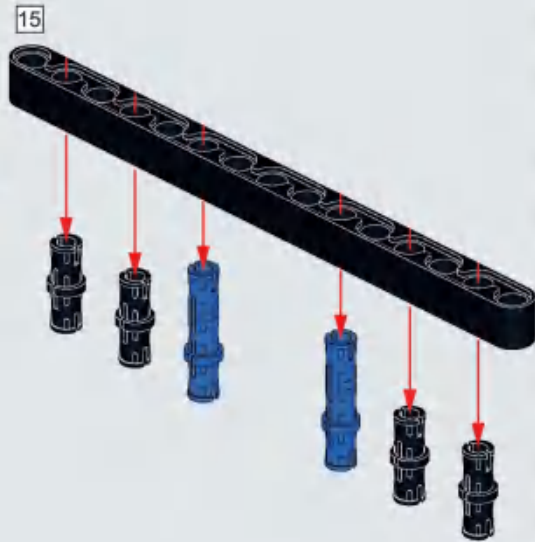


A159

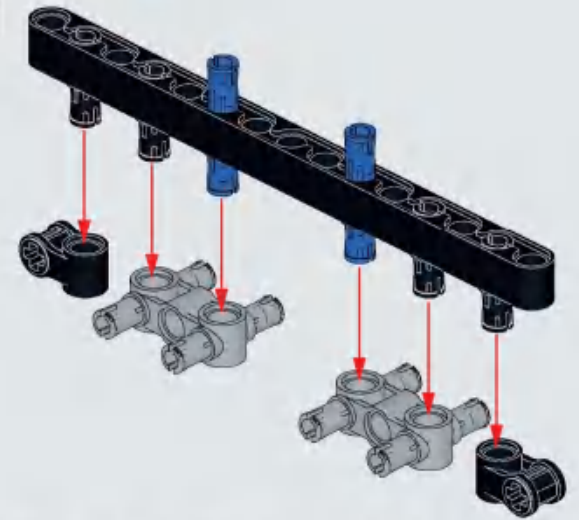




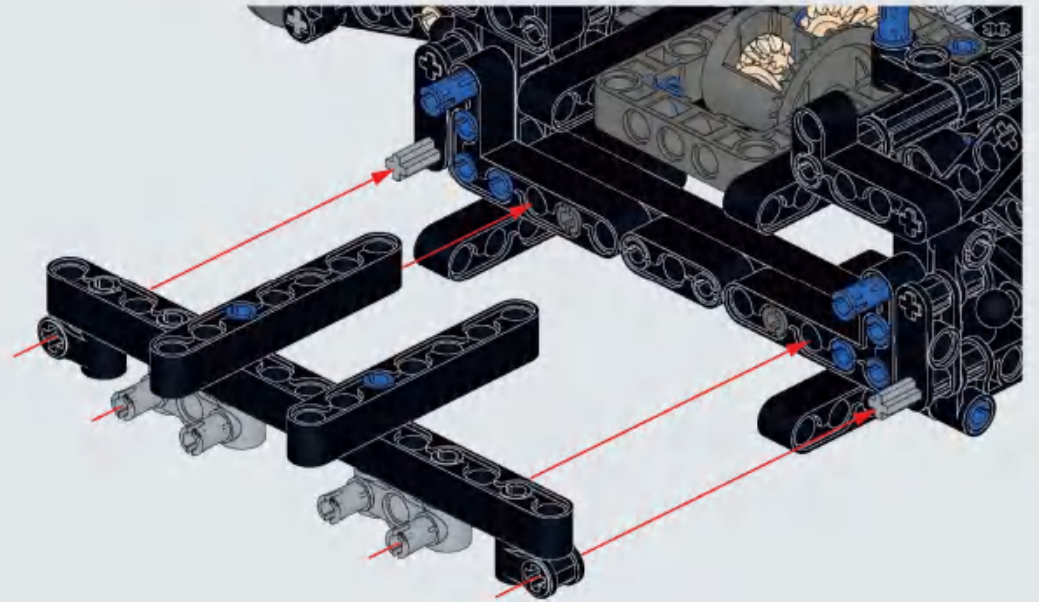
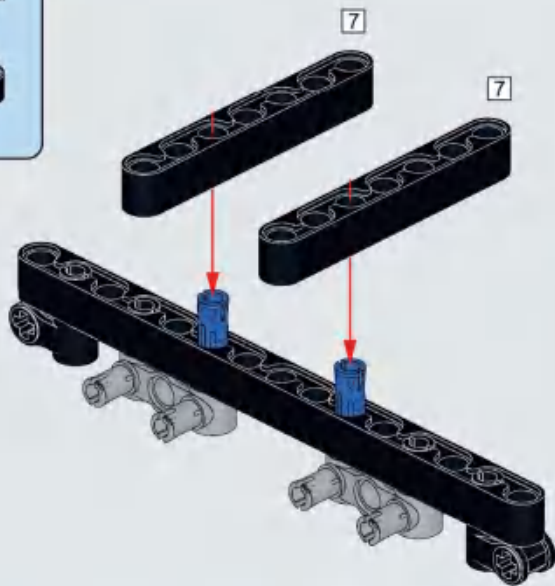
A160



A161

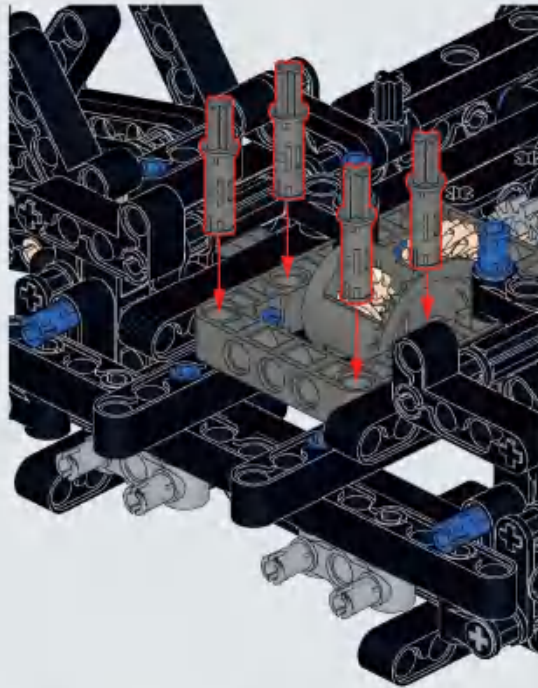


A162

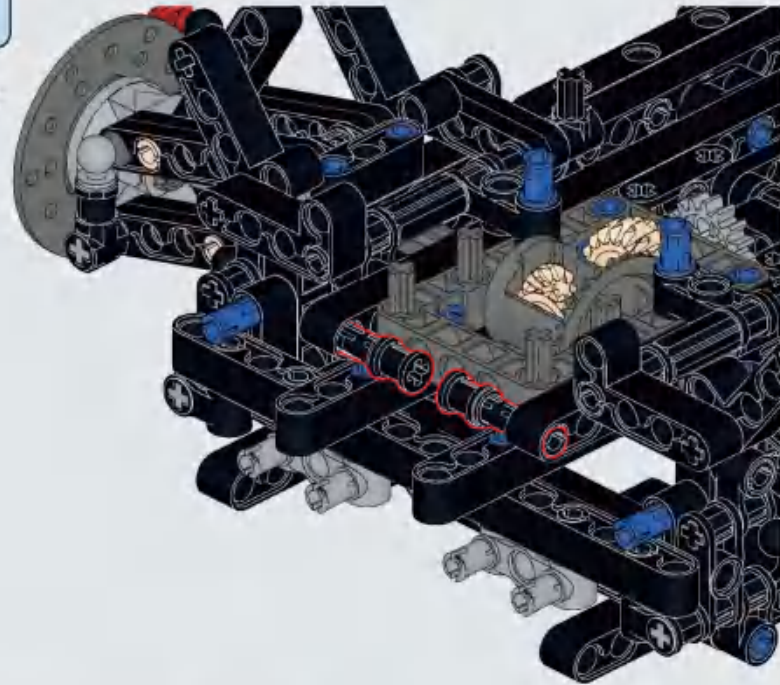




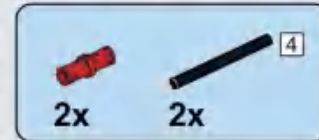
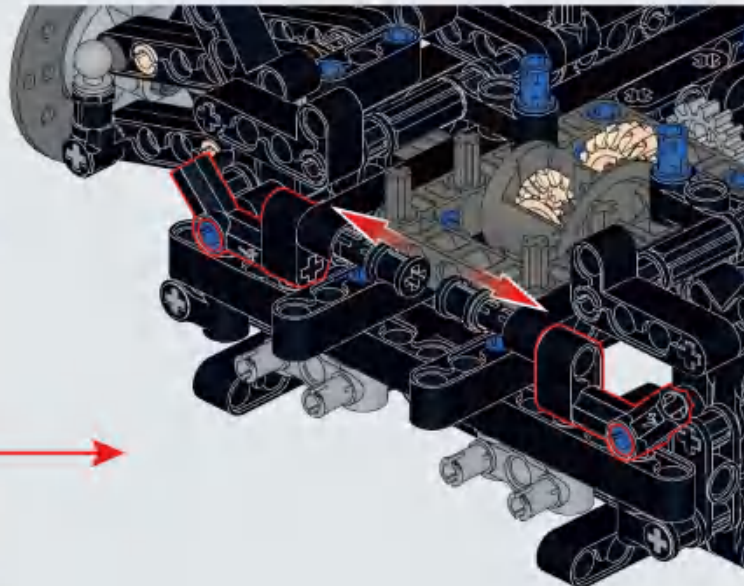
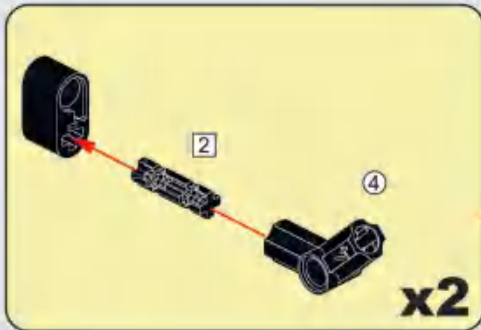
A163



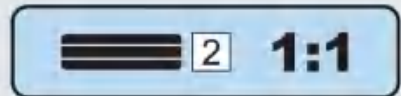
A164



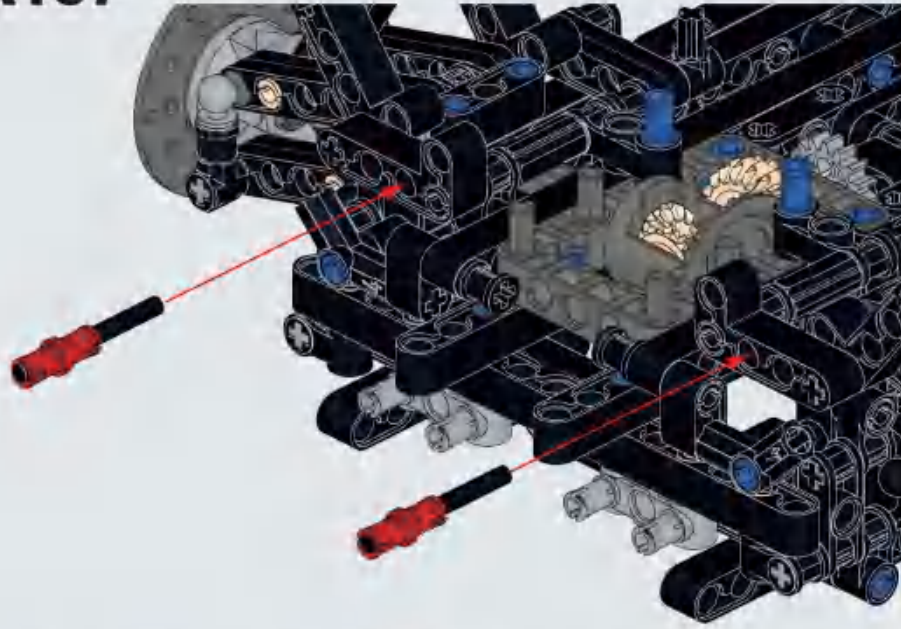
A165



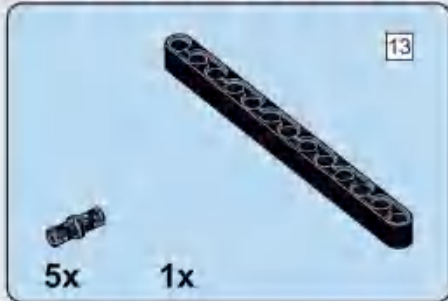
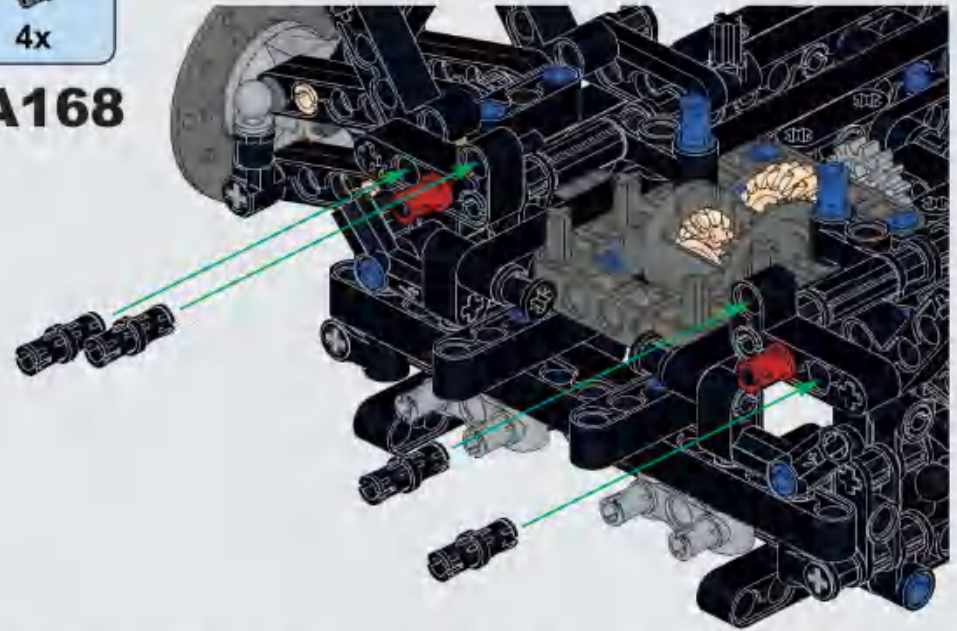
A166



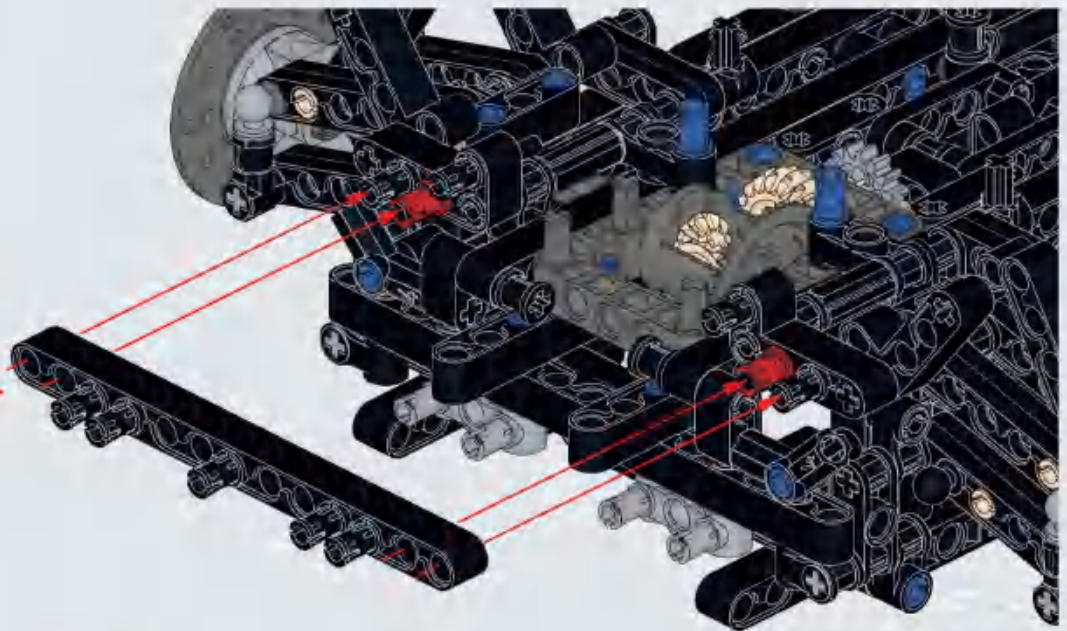
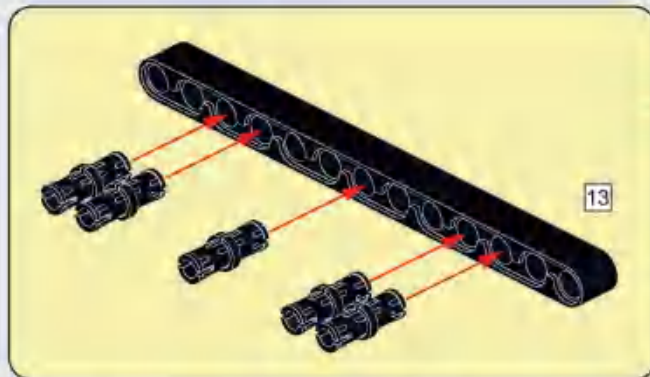
A167

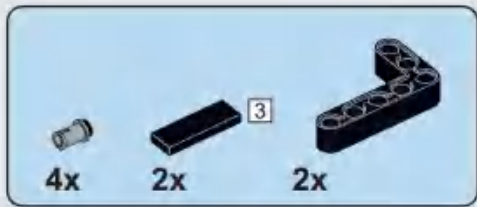


A168

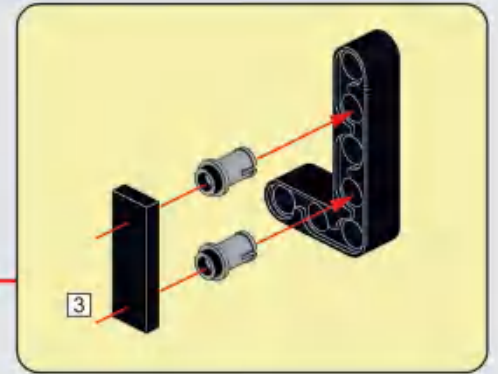
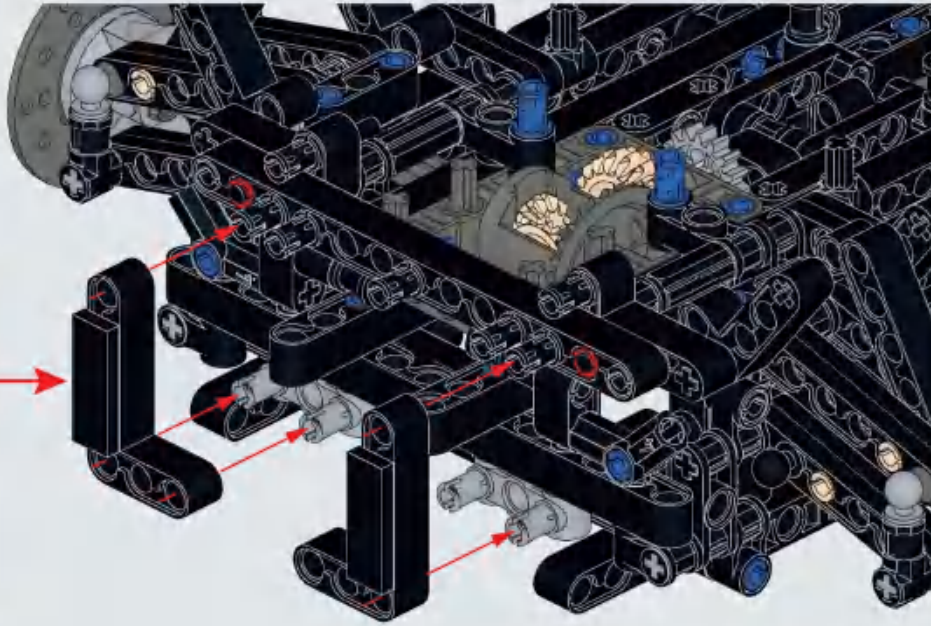
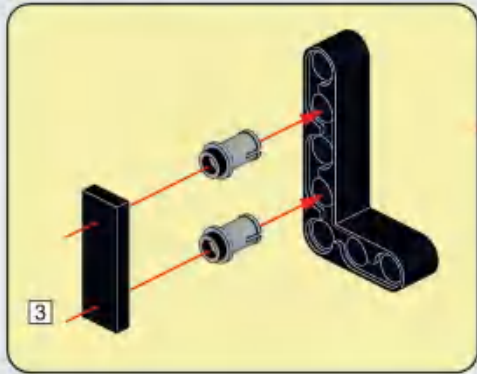


A169

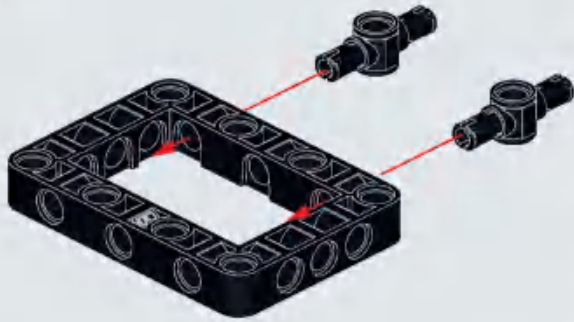




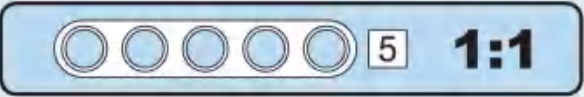
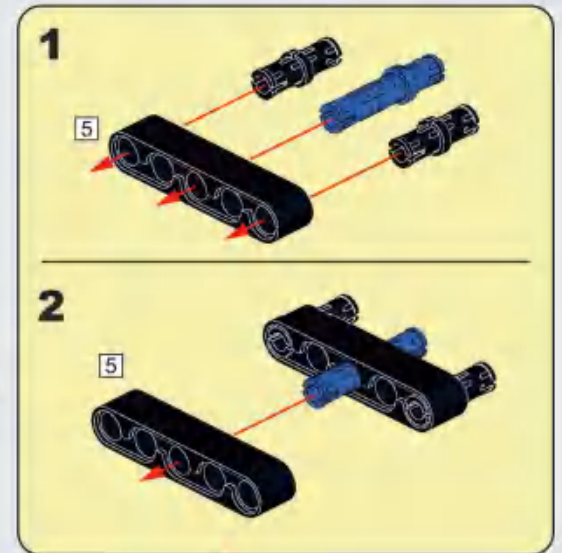
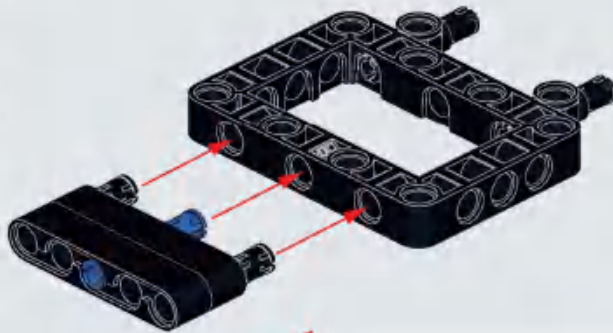
A170

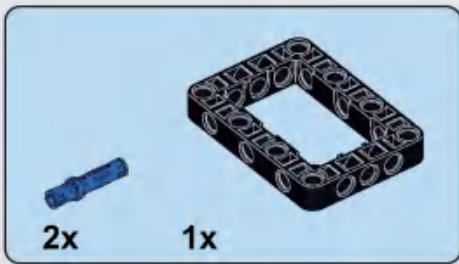


A171

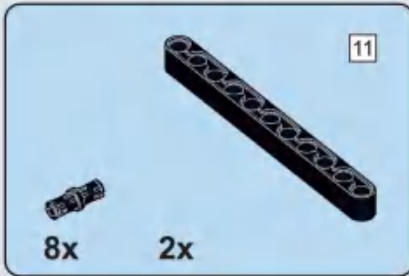
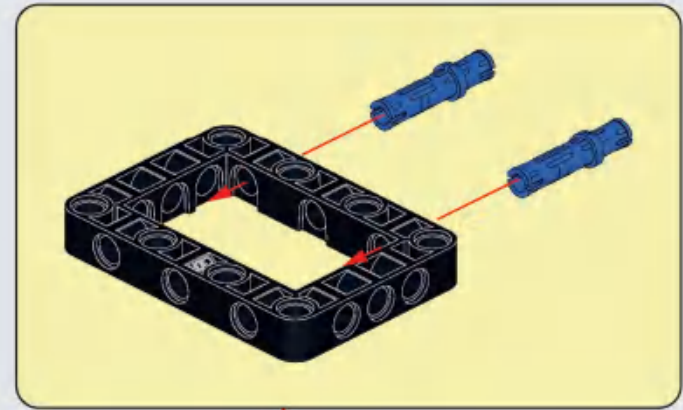
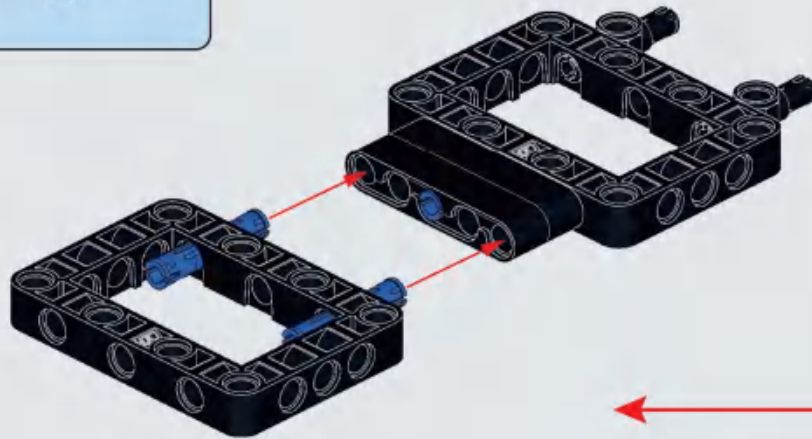


A172

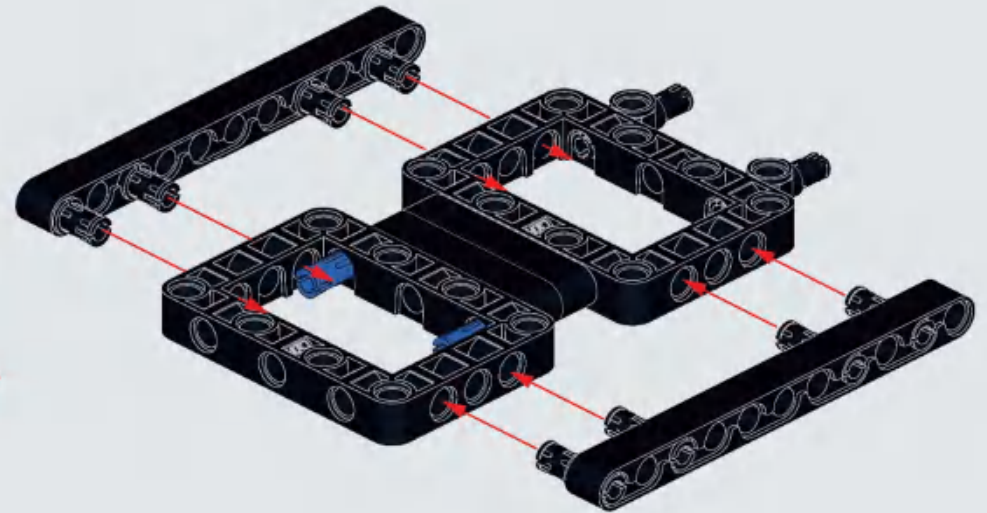
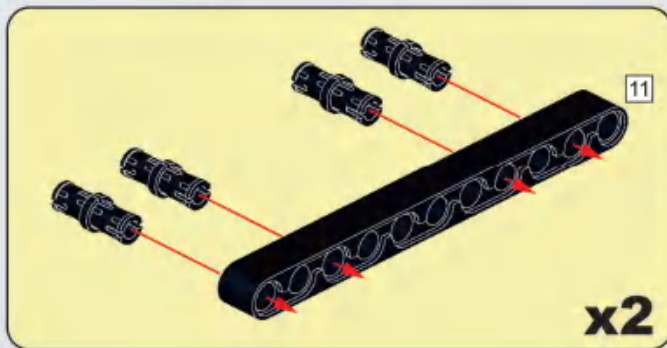




A173

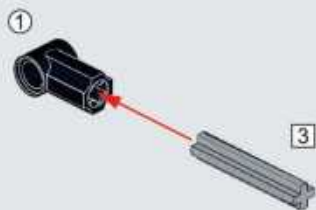


A174

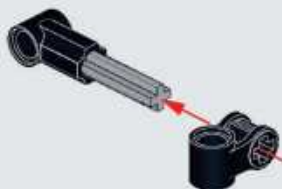




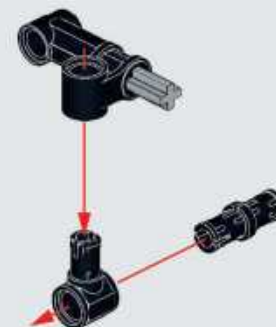
A175



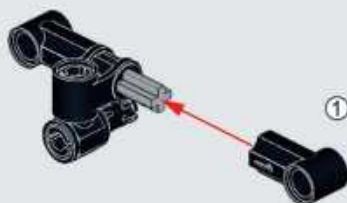
A176

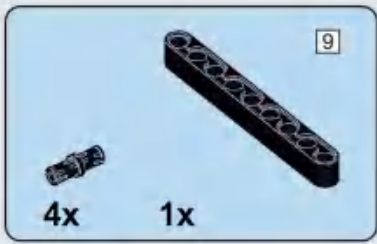


A177

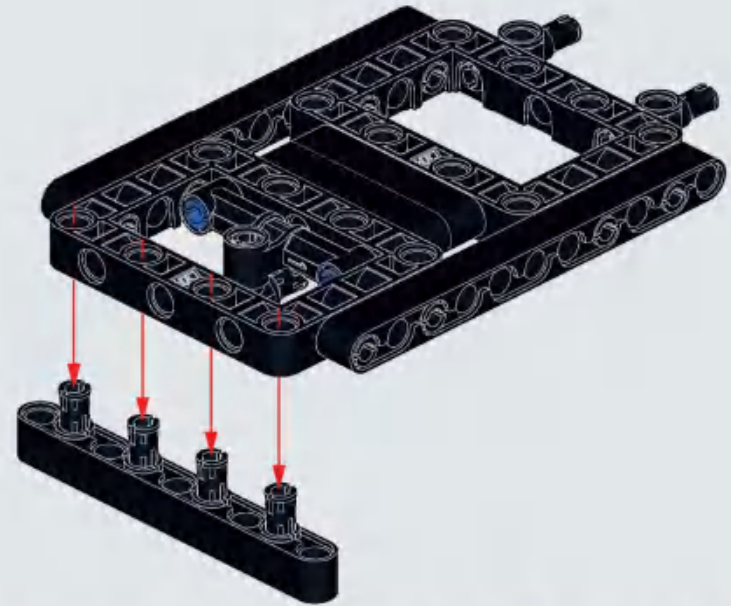
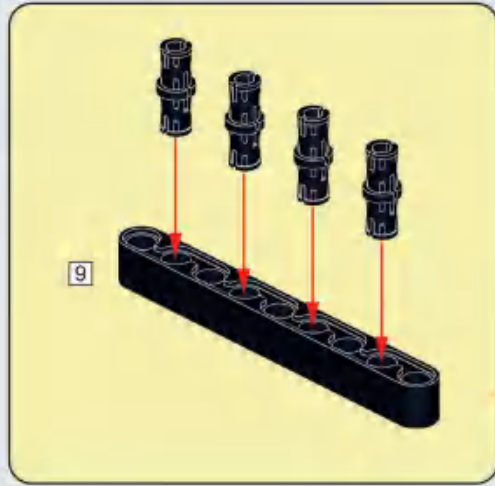


A178

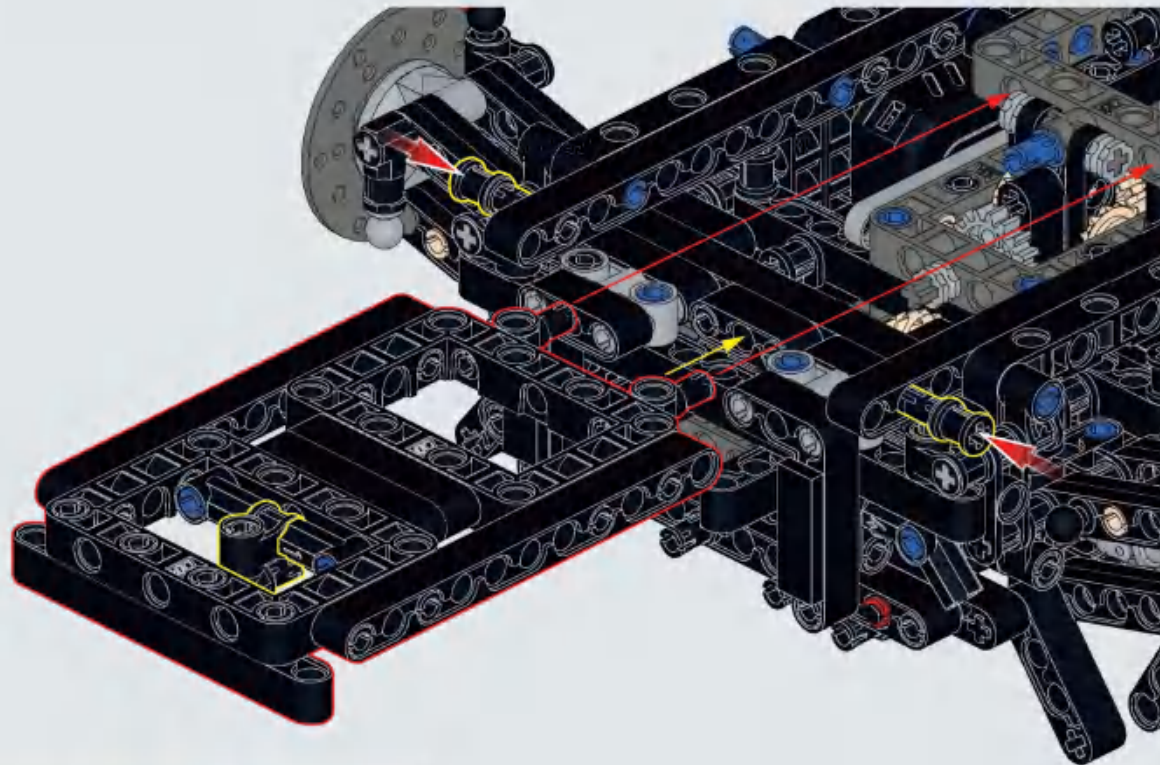


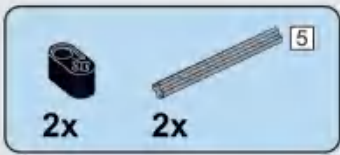


A179

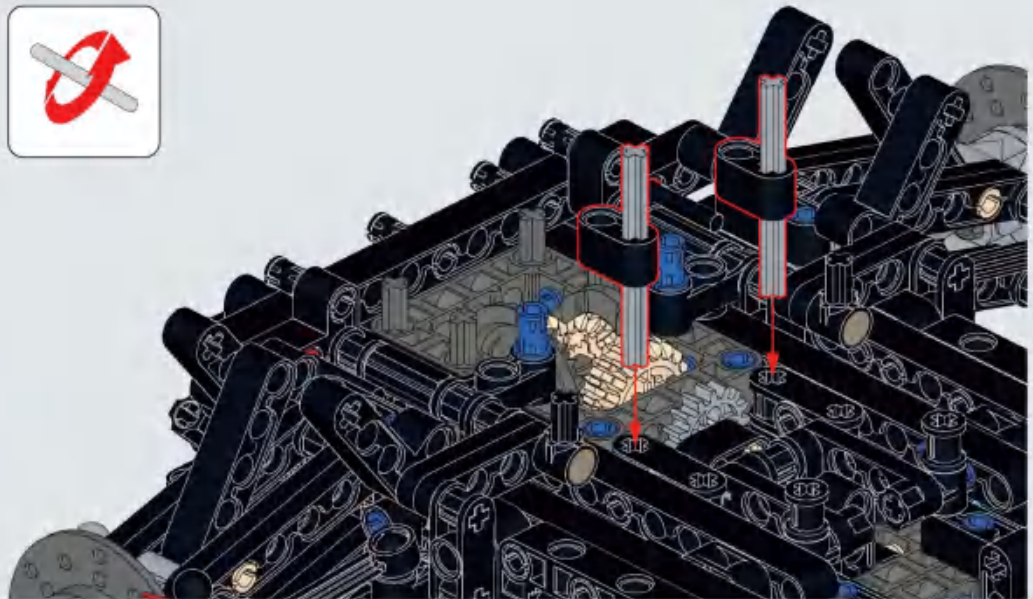
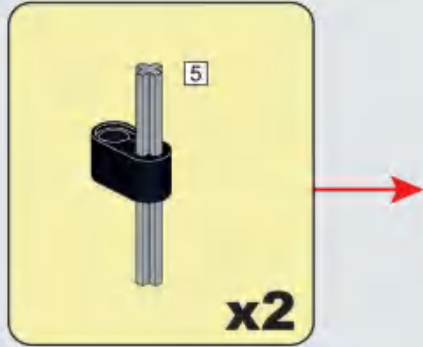


A180

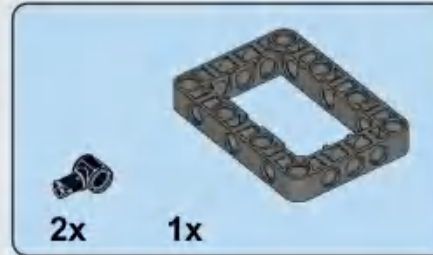
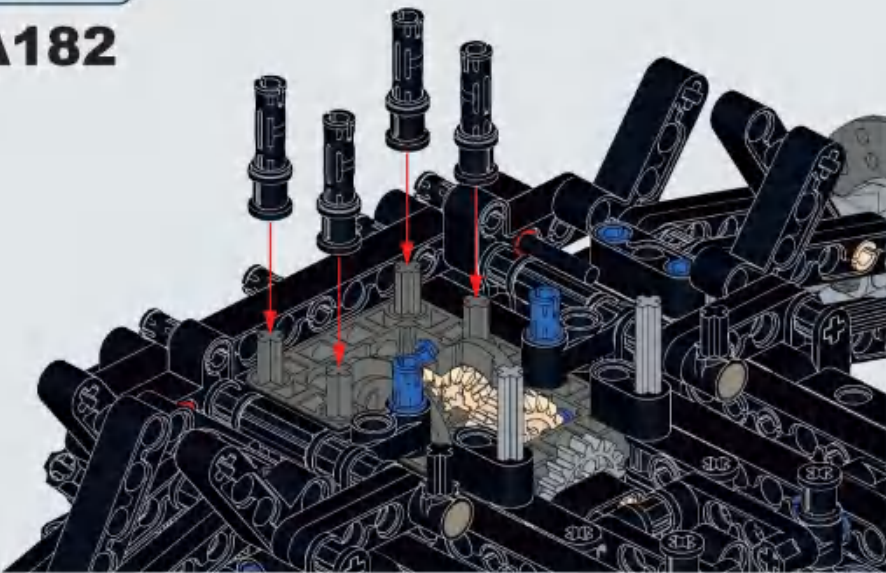




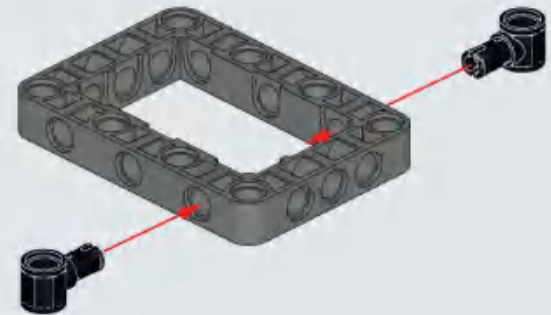
A181



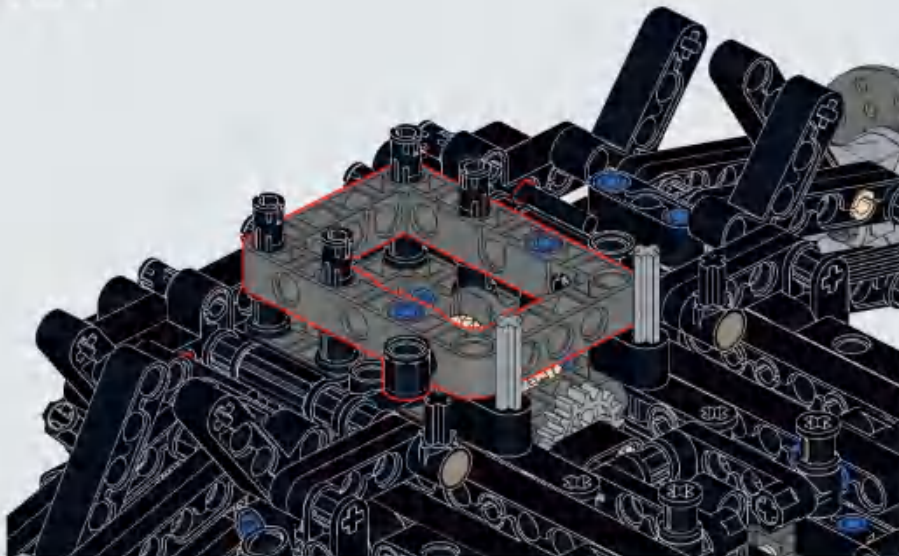
A182



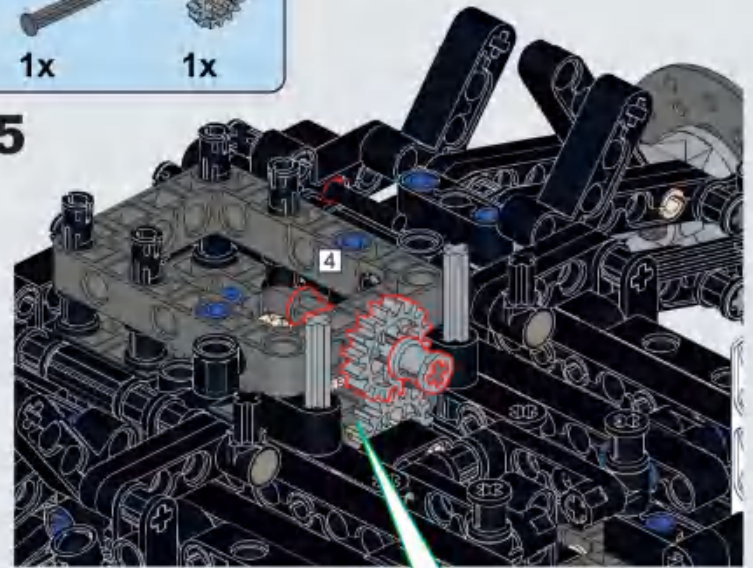
A183



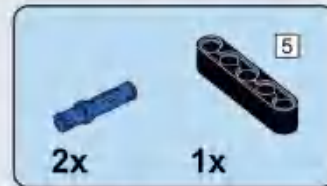
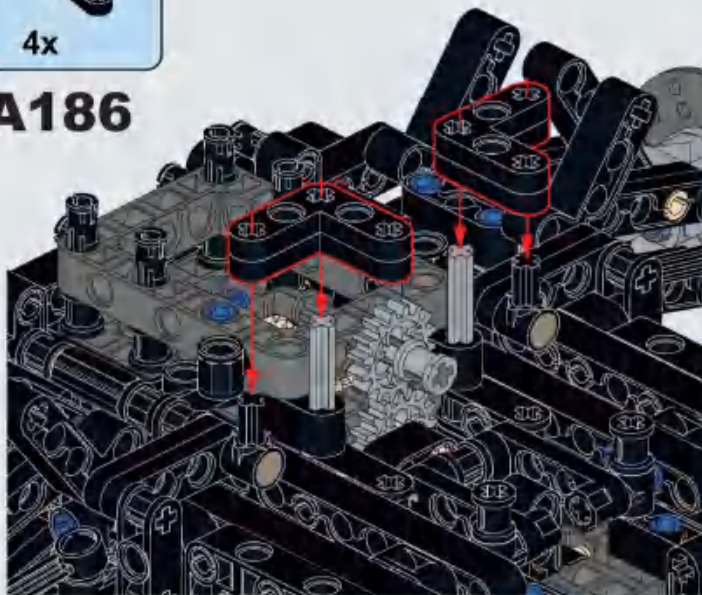
A184



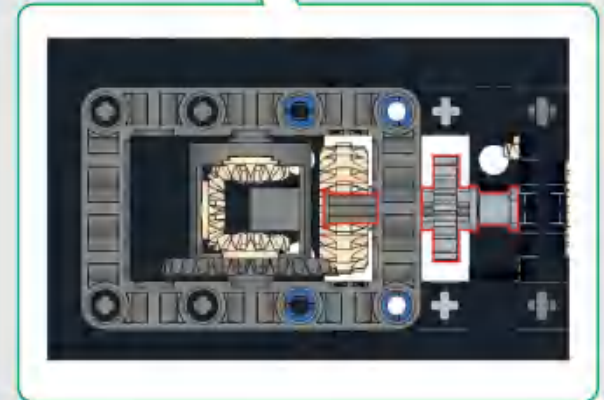
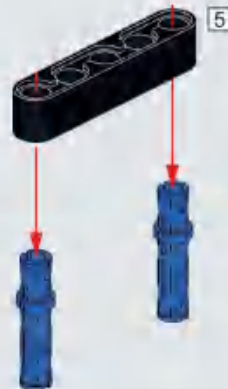
A185



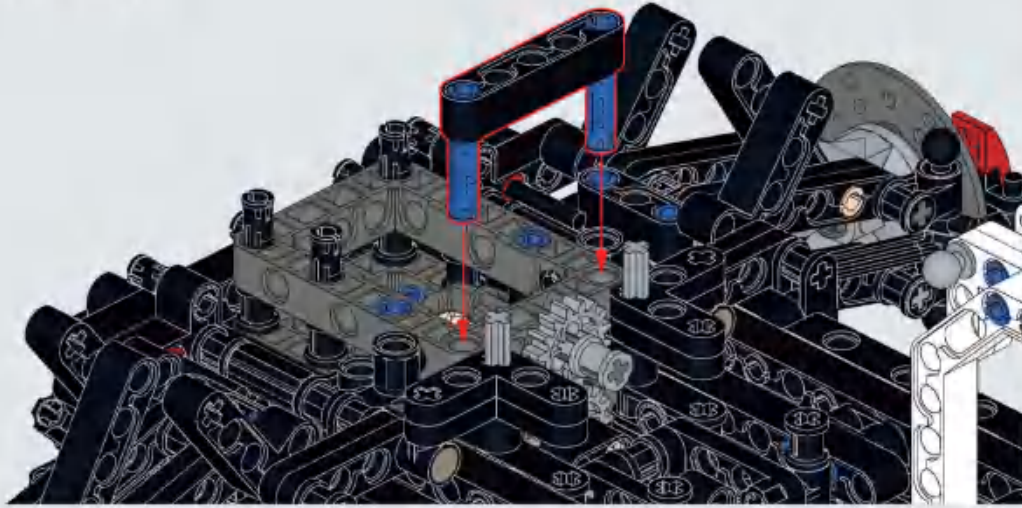
A186



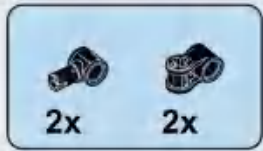
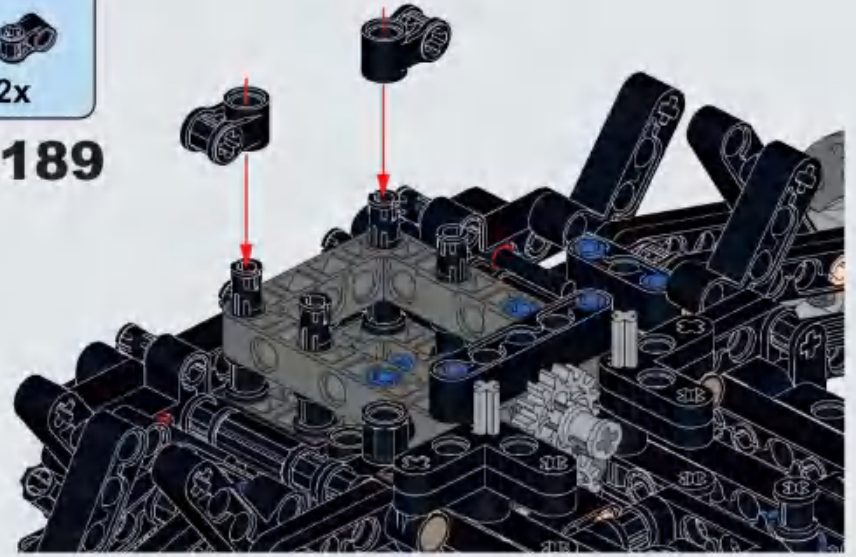
A187



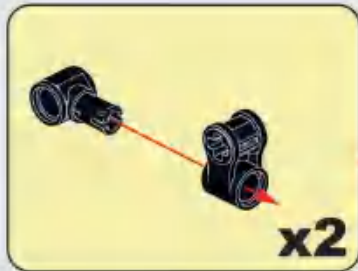
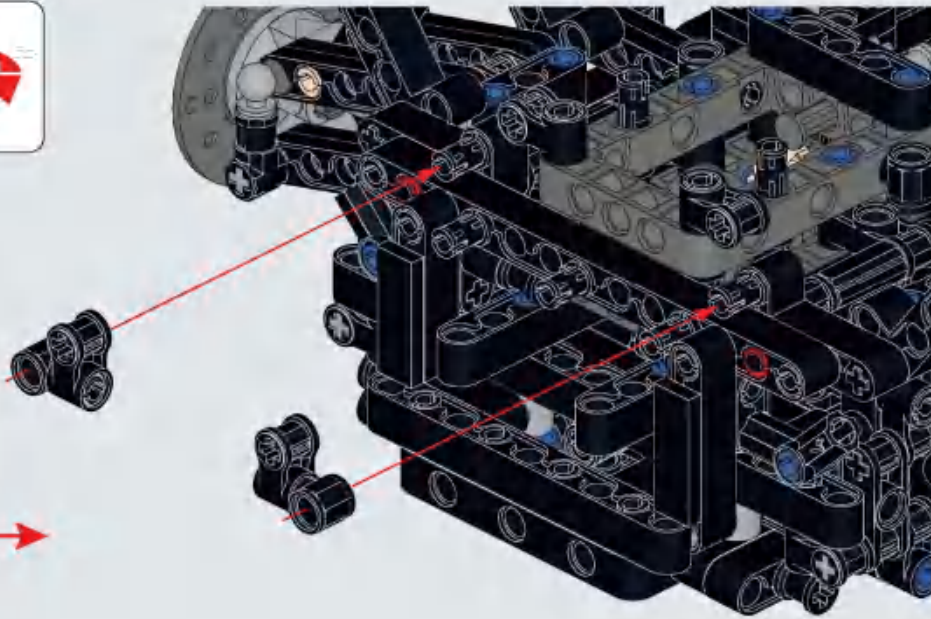
A188



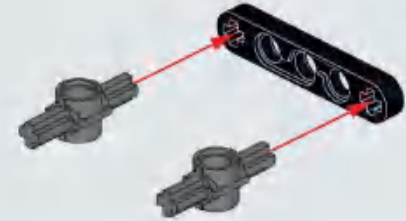
A189



A190

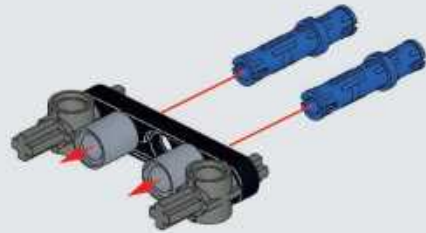


A191

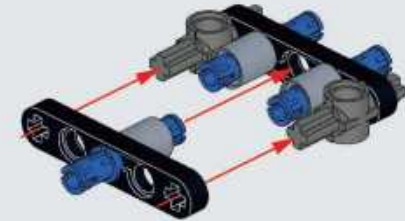
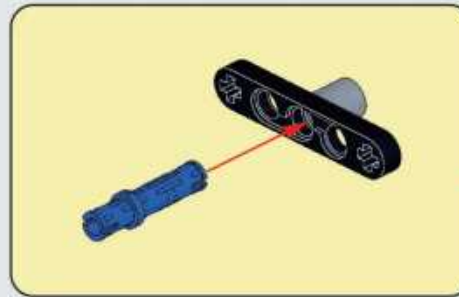




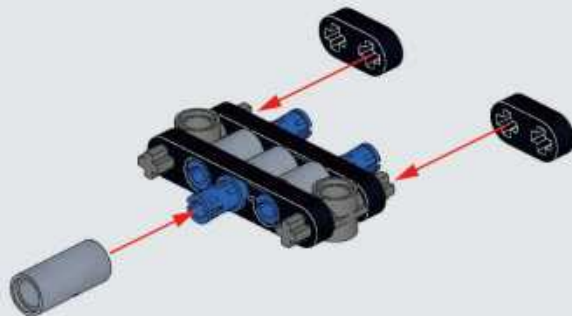
A192



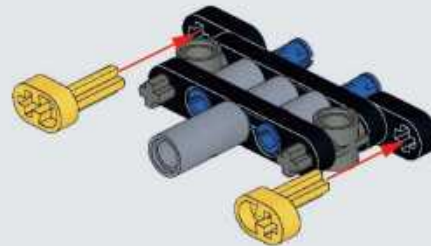
A193



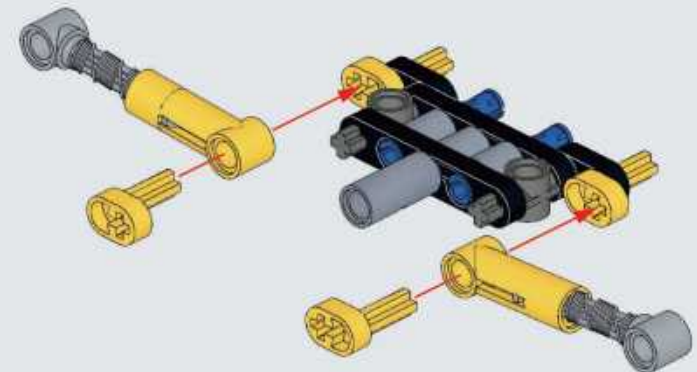
A194



A195

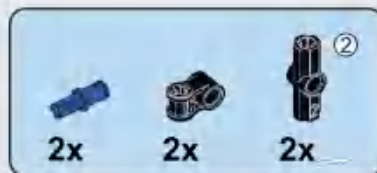
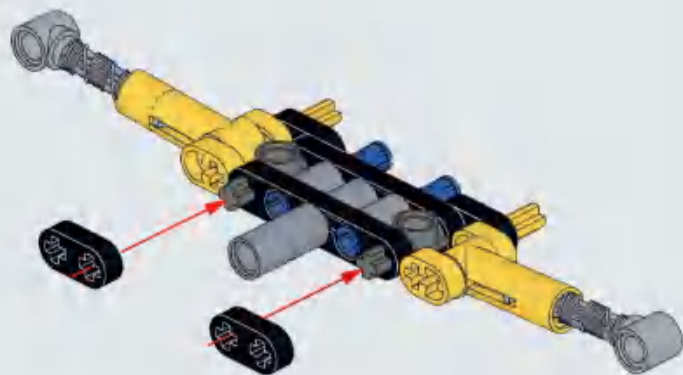


A196

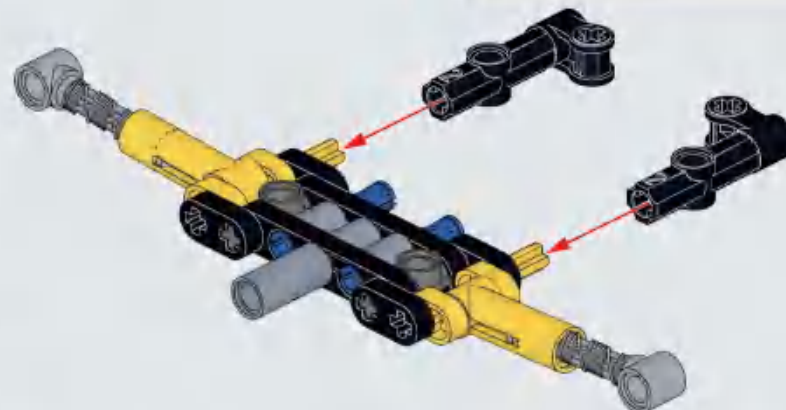
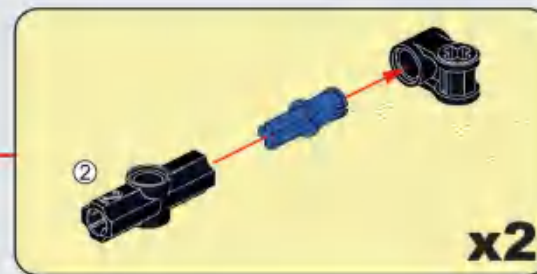




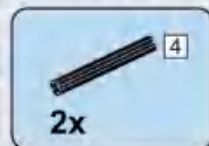
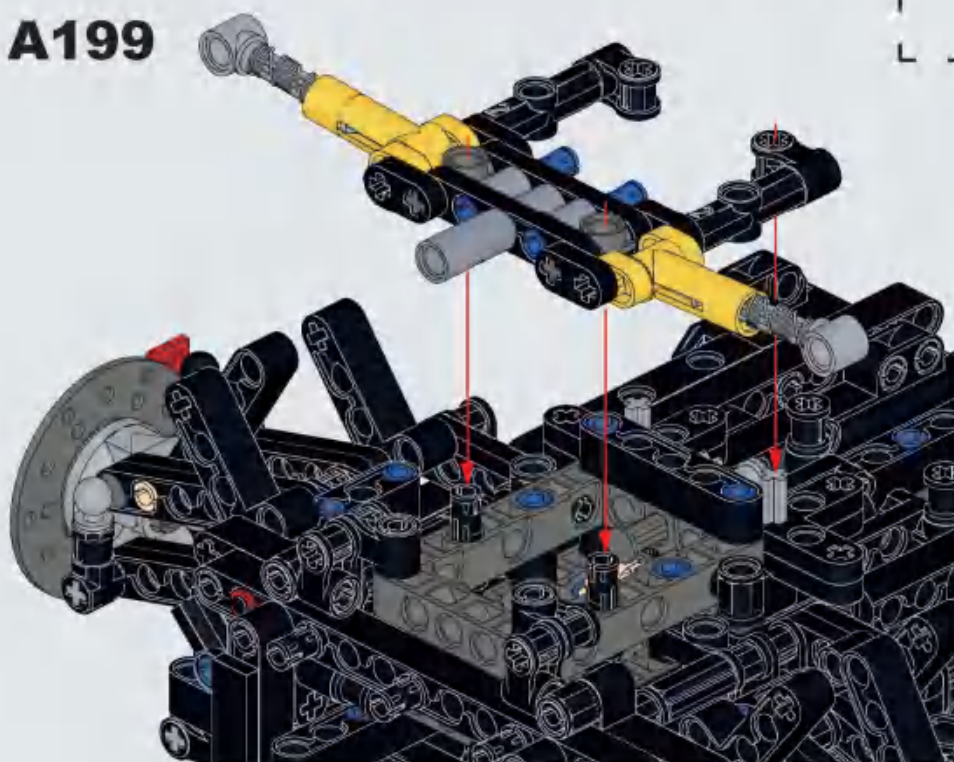
A197



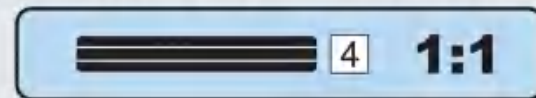
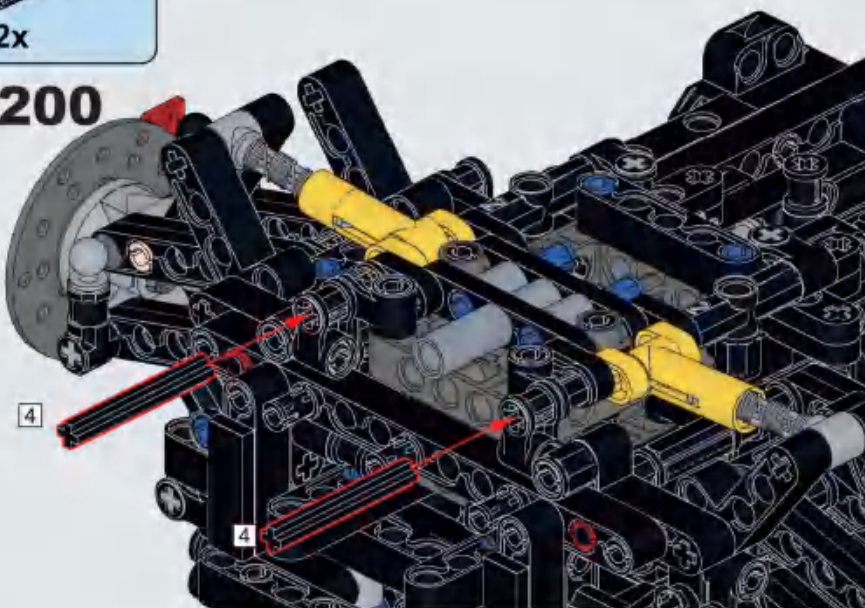
A198



A199

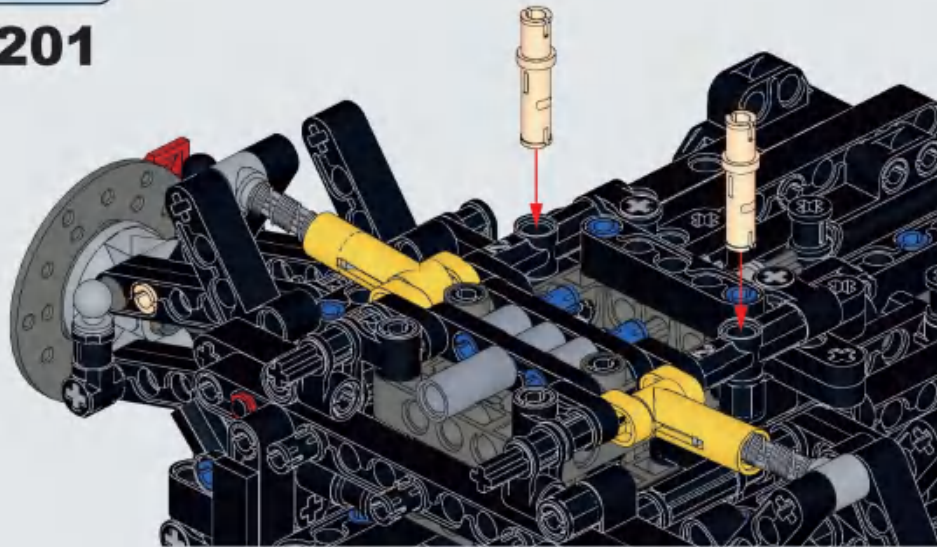


A200

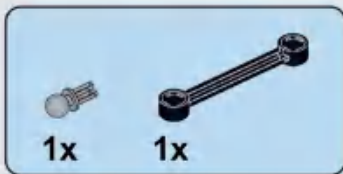
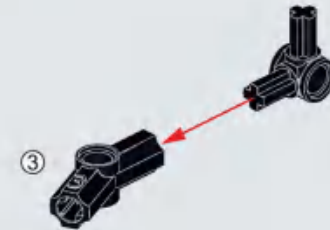




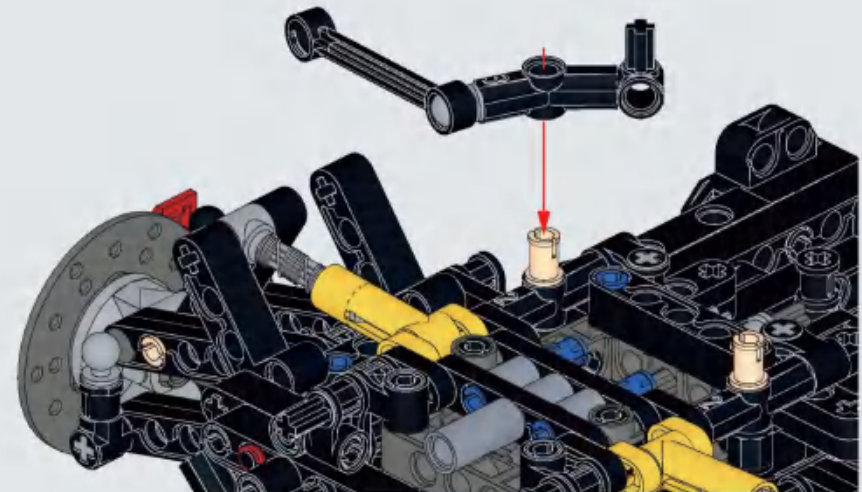
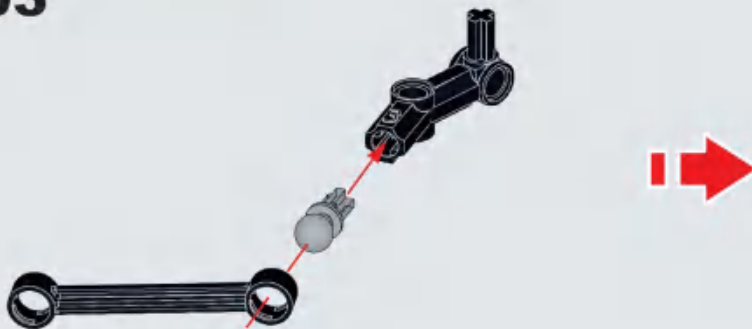
A201

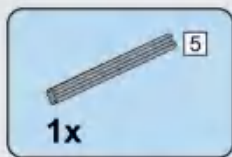


A202

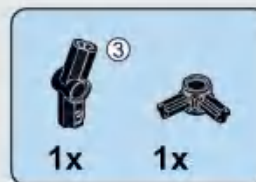
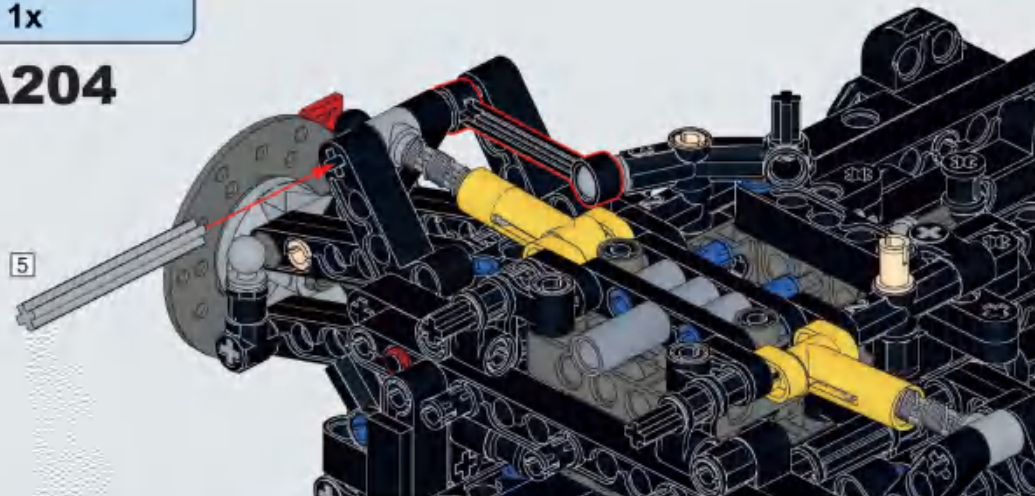


A203

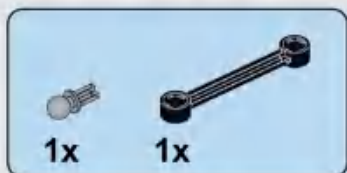
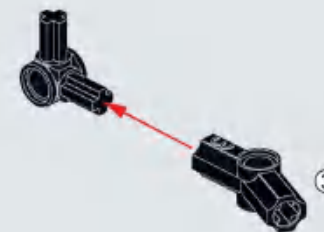




A204



A205



A206

