

EN

- 1.** Save this leaflet because It contains Important Information. Important information about batteries Never use different types of batteries together, or a combination of old and new batteries. Always remove the batteries if the product is not to be used for a long time or if the batteries have run down. Never use damaged batteries. Only use batteries of the type recommended, or a corresponding type. Insert the batteries so that the poles are correctly positioned. Rechargeable batteries must be recharged using the correct battery charger under the supervision of an adult. You cannot recharge batteries while they are still in the product, and you must never try to do so. Never attempt to recharge non-rechargeable batteries. Never short-circuit the battery holder.

- 2.** Protect the environment by not disposing of this product with your household waste check with your local authority for recycling advice and facilities.

- 3. CAUTION:** The substitution of firmware in this product with firmware not approved or supplied by the CaDA Group may cause unpredictable product behaviour, including damaged or overheated batteries, overheated element surfaces (e.g. motors or sensors), or other hazards.

- 4.** The CaDA Group hereby declares that above product/products comply with the essential requirements and other relevant provisions of Directive 2014/53/EU.
Complete declaration on www.doubleeagle-group.com

- 5.** The normal function of the product may be disturbed by strong electromagnetic interference. If so, simply reset the product to resume normal operation.

- 6. WARNING:** This toy produces flashes that may trigger epilepsy in sensitised individuals.

- 7.** This toy contains batteries that are non-replaceable.

- 8. Warning:** When recharging battery, only use the specified detachable supply unit.

- 9.** The battery chargers used with the toy are to be regularly examined for damage to the cord, plug, enclosure and other parts, and in the event of such damage, they must not be used until the damage has been repaired.

- 10.** This toy is only to be connected to equipment bearing either of the following symbols. ☐

EN

This device complies with part 15 of the FCC Rules. Operation is subject to the following two conditions:

- (1) This device may not cause harmful interference, and
- (2) this device must accept any interference received, including interference that may cause undesired operation.

NOTE: This equipment has been tested and found to comply with the limits for a Class B digital device, pursuant to part 15 of the FCC Rules. These limits are designed to provide reasonable protection against harmful interference in a residential installation. This equipment generates, uses and can radiate radio frequency energy and, if not installed and used in accordance with the instructions, may cause harmful interference to radio communications. However, there is no guarantee that interference will not occur in a particular installation. If this equipment does cause harmful interference to radio or television reception, which can be determined by turning the equipment off and on, the user is encouraged to try to correct the interference by one or more of the following measures:

- Reorient or relocate the receiving antenna.
- Increase the separation between the equipment and receiver.
- Connect the equipment into an outlet on a circuit different from that to which the receiver is connected.
- Consult the dealer or an experienced radio/TV technician for help.

Caution: changes or modifications not expressly approved by the party responsible for compliance could void the user's authority to operate the equipment.

This device contains licence-exempt transmitter(s)/receiver(s) that comply with Innovation, Science and Economic Development Canada's licence-exempt RSS(s). Operation is subject to the following two conditions:

- (1) This device may not cause interference.
- (2) This device must accept any interference, including interference that may cause undesired operation of the device.

L'émetteur/recepteur exempt de licence contenu dans le présent appareil est conforme aux CNR d'Innovation, Sciences et Développement économique Canada applicables aux appareils radio exempts de licence. L'exploitation est autorisée aux deux conditions suivantes :

- (1) L'appareil ne doit pas produire de brouillage;
- (2) L'appareil doit accepter tout brouillage radioélectrique subi, même si le brouillage est susceptible d'en compromettre le fonctionnement.

CAN ICES-3 (B)/NMB-3(B)T

The device has been evaluated to meet general RF exposure requirement.

L'appareil a été évalué pour répondre aux exigences générales d'exposition aux RF.

EN

Battery Usage Notices:

- Use 2 pcs of 1.5V AA non-rechargeable batteries for the remote controller.
- Use 1 pc of 7.4V rechargeable battery box for the toy.
- Insert/change batteries as per the correct polarity.
- Non-rechargeable batteries are not rechargeable.
- Do not mix old and new batteries, nor mix different types of batteries.
- Take out the exhausted batteries from the toy.
- The toy is not to be connected to more than recommended number of power supplies.
- The toy is not intended for children under 3 years old.
- Rechargeable batteries are to be removed from the toy before being charged.
- Rechargeable batteries are only to be charged under adult supervision.
- Regularly check the wire, shell and other components for any damage. Stop using when the damage is founded, the supply terminals are not to be short-circuited.
- Unscrew the battery cover with the screwdriver, and insert the batteries as per the correct polarity. Then close the battery cover with screwdriver, and tighten the screw.
- Do not mix alkaline batteries, standard (carbon-zinc) or rechargeable batteries.

EN

Product frequency: 2.4 GHz



With the CE-marking the manufacturer, distributor or EU-representative declare in accordance with the EU 765/2008 directive "that those products fulfill the applicable requirements that have been specified in the harmonization legislation of the EU regarding their incorporation" (Article 2 No. 20) and "that he accepts responsibility that the product conforms with all requirements contained in the pertinent EU harmonization directives regarding their incorporation" (Article. 30 Paragraph 3).



The UKCA-marking refers to certain technical and medical products by which the manufacturer declares the conformity with the relevant UK regulations. This marking is comparable with the CE-marking and was established within the scope of Brexit as the British variant of the CE-marking.



Disposal

Never dispose the device in the normal household waste at the end of its lifespan but find out how to dispose of it in an environmentally friendly ways.

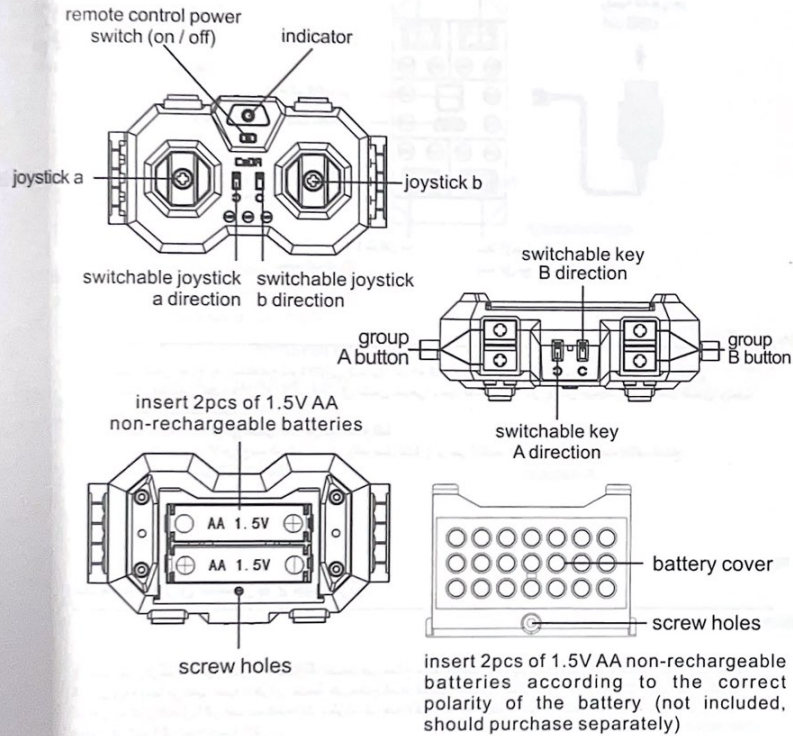
Your device has been wrapped up to protect it from transport damage. Wrappings are made of a material that can be disposed of environmentally friendly and be recycled appropriately.

Manufacture: Double eagle Industry (China) Limited
Website: www.doubleeagle-group.com
Address: Xingda Industrial Part, Chenghai District, Shantou City, Guangdong Province, China

EN

INSTRUCTIONS OF REMOTE CONTROL

REMOTE CONTROL



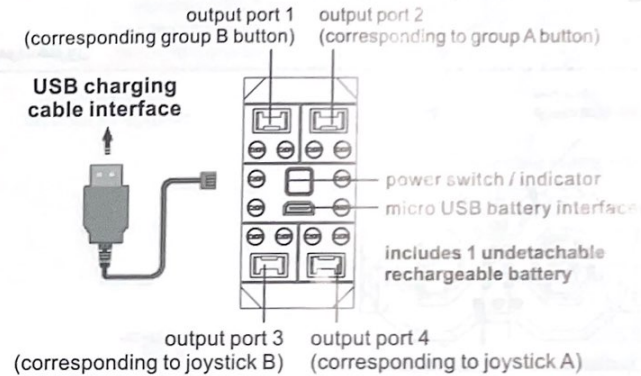
CHARGER

charging output: 5V-2A (not recommended to use a higher power charger)



The main parts of the toy have overload protection function. When connected to overload or faulty components, it will automatically power-off (it can't work), need to charge it for more than 2 seconds to recover.

BATTERY CASE



ATTENTION

1. You must charge the product when using it for the first time. The charger output current and charging line have an effect on the charging time.
2. When charging, the blue light flashes to indicate that the charging is normal; the blue light does not flash when the charging has been completed; charge for more than 3 hours to play.
3. The output port can only be used with the matching plug the product.
4. The output port can not touch the metal (conductive) surface. Please pay attention when placing and avoid damaging the product.
5. This toy contains batteries that are non-replaceable.

2.4GHz AUTOMATICAL CODE DESCRIPTION

1. When the remote control is equipped with the battery, press the power switch of it, and the indicator light of the remote control flashes slowly and starts to match the code; Press the power switch of the battery box again, the indicator light of the battery box will change from flashing into long bright. In the meanwhile, the indicator light of the remote control will flash twice, and then goes out, indicating the success of the code.
2. Each remote control can only pair with one battery box. When the pairing code is successful, each battery box does not interfere with each other.
3. If the remote control or the battery box don't get the 2.4G signal from corresponding battery box or remote control after 2 minutes, or does not have any button operation after about 4 minutes in a successful code state, it will automatically shut down. Need to press its power switch again to continue to use.
4. Turn off the power to re-pair the code with the other remote control or battery box.

The instruction manual must be retained since it contains important information.