

# CaDA<sup>®</sup>

## GT Sport Car

OPERATING FREQUENCY	2426MHz ~ 2474MHz
EIRP (MAX.)	-1.18dBm

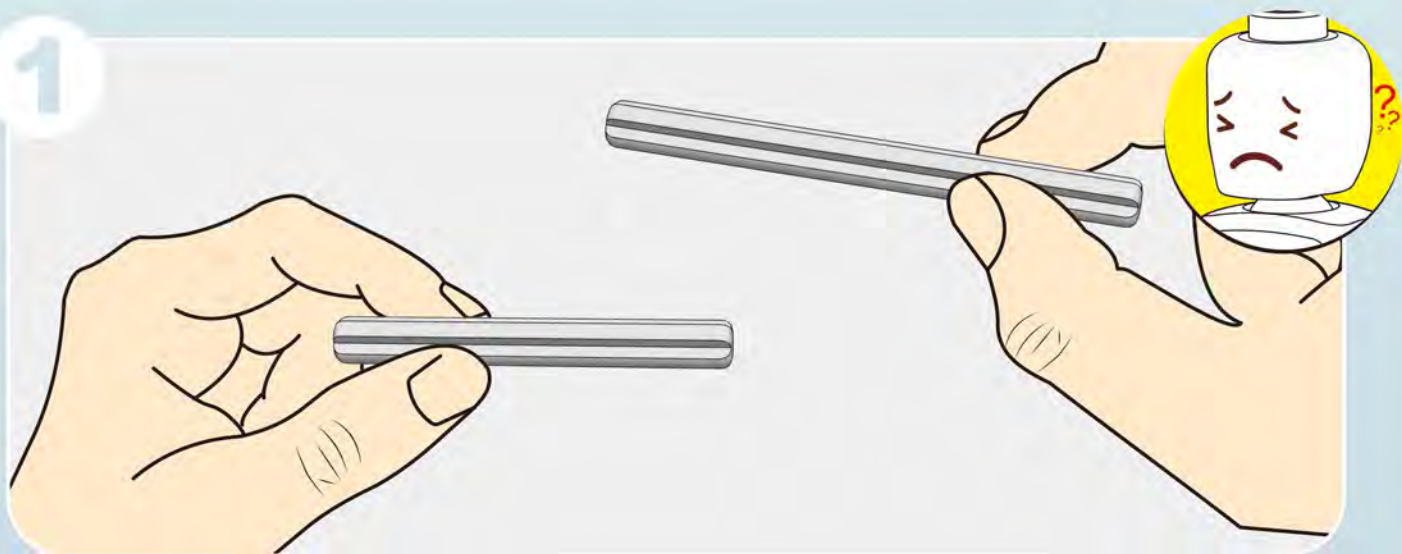


Hereby, [DOUBLEEAGLE INDUSTRY (CHINA)LIMITED], declares that this [REMOTE CONTROL CAR SERIES] is in compliance with the essential requirements and other relevant provisions of Directive 2014/53/EU..

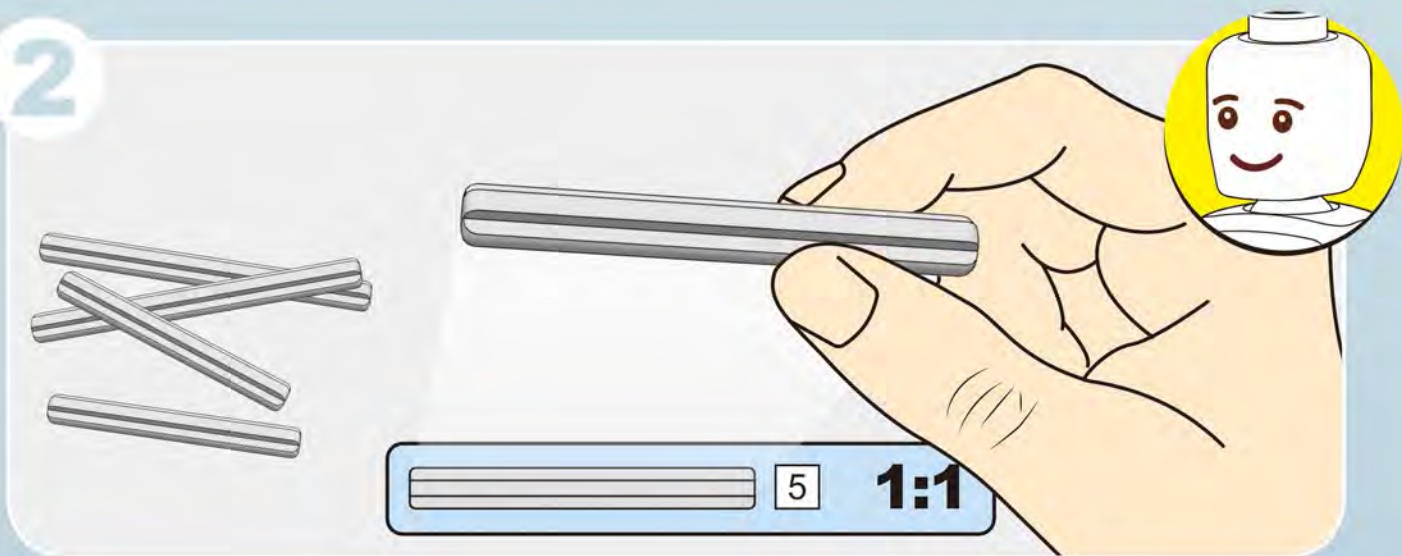
The full test of the EU declaration of conformity is available at the following internet address:[www.doublele-group.com](http://www.doublele-group.com)

**C51307 | 427PCS**

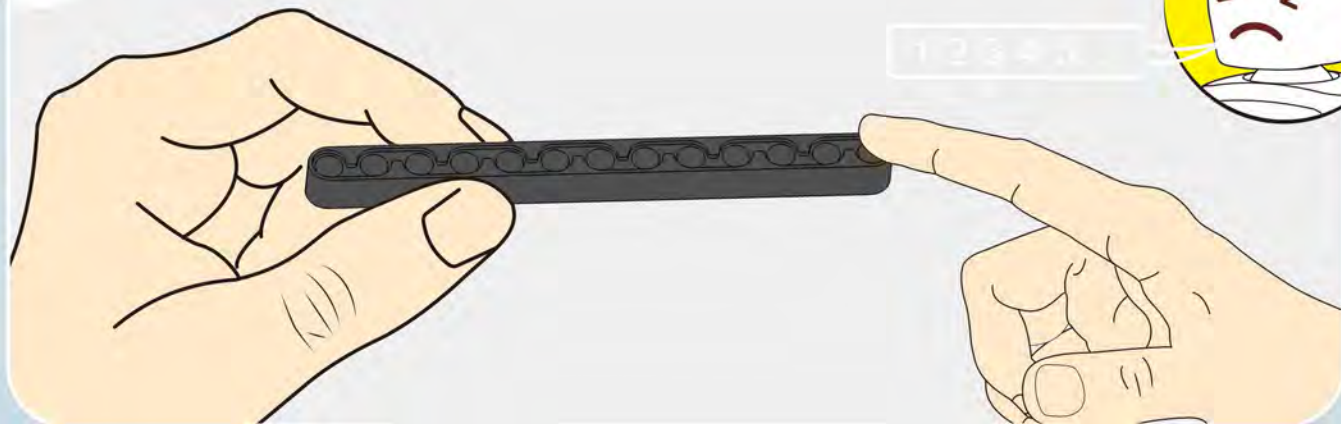
1



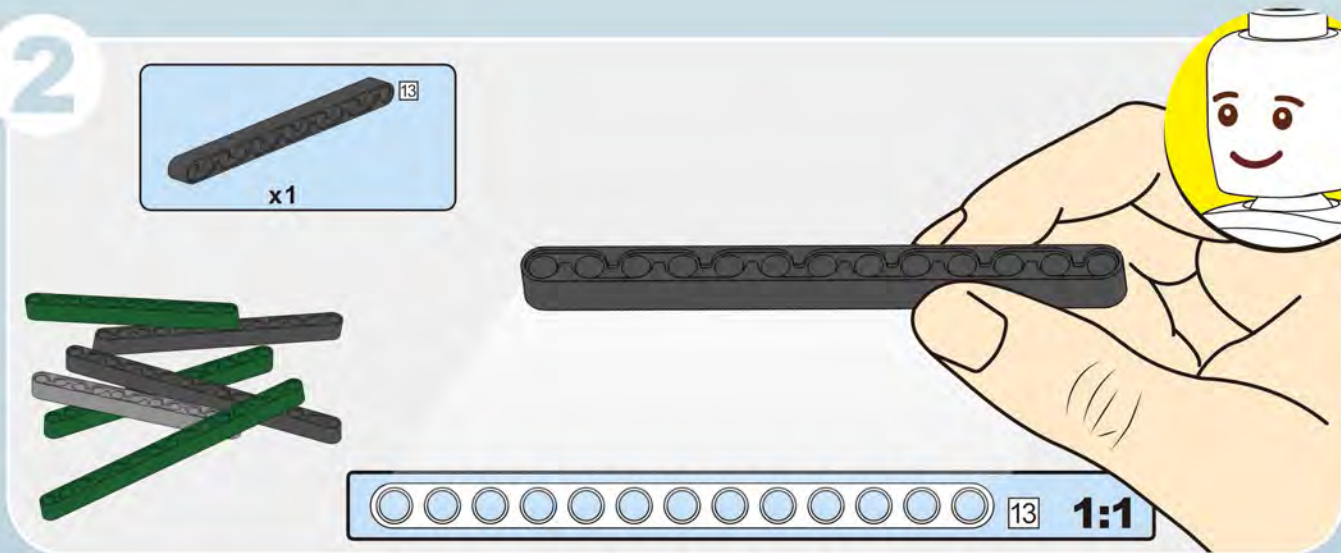
2

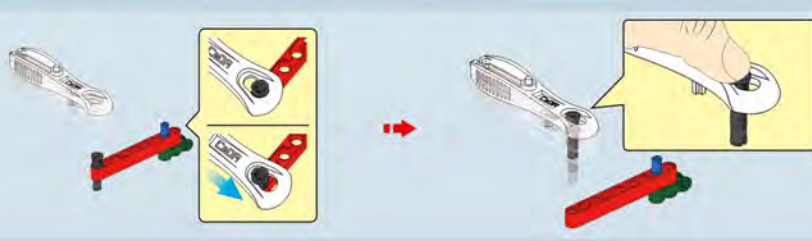
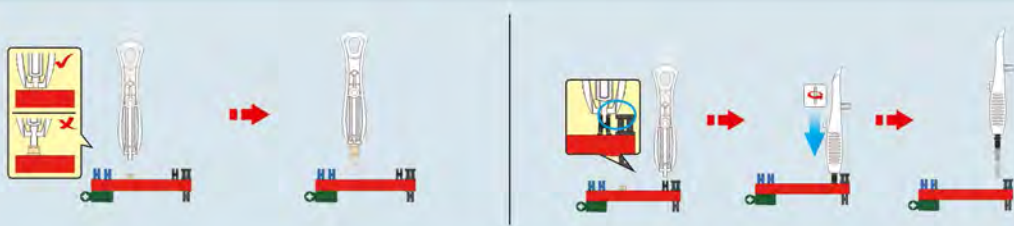
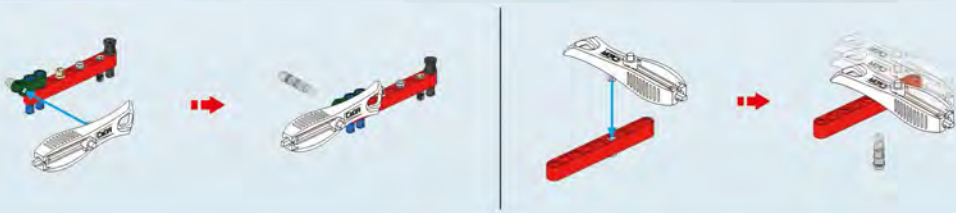
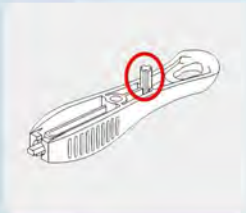


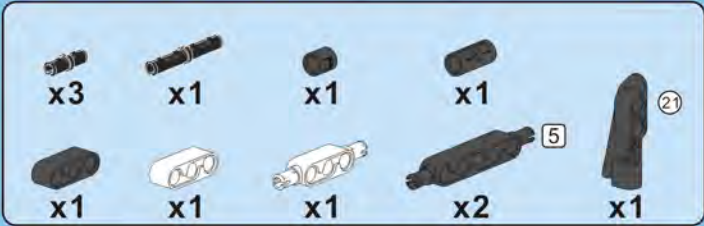
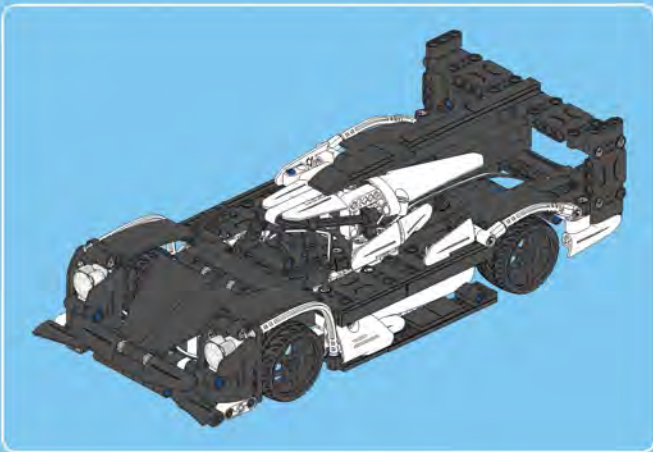
1



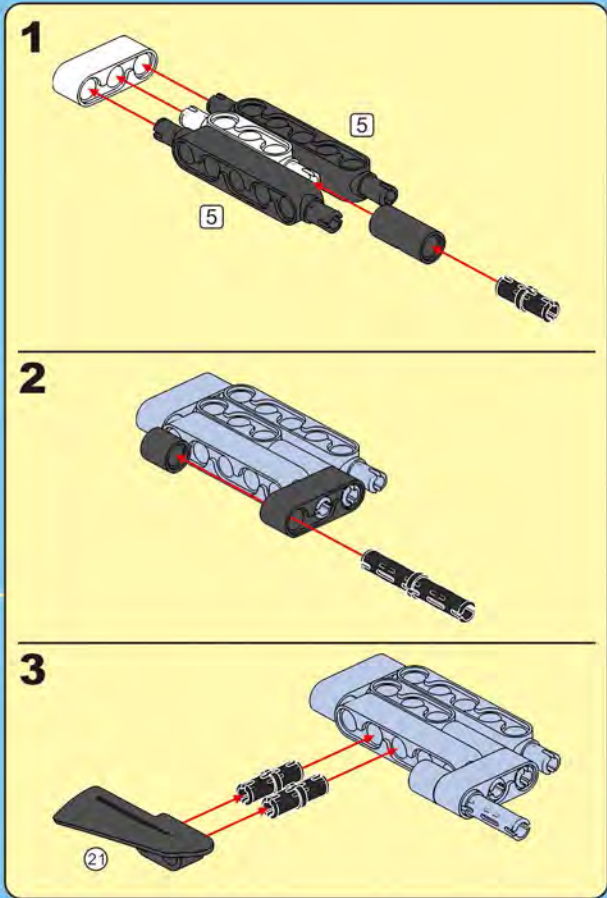
2

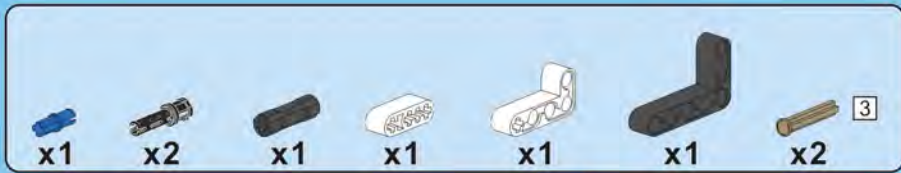




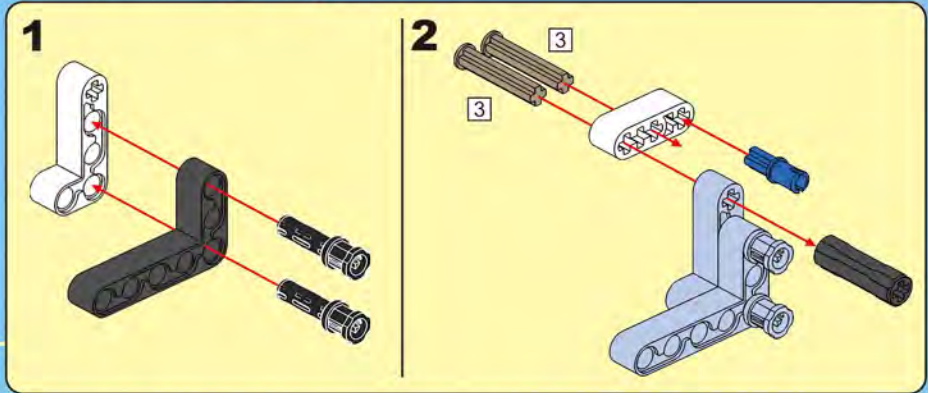
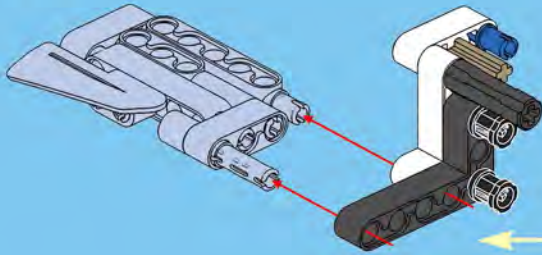


**A1**

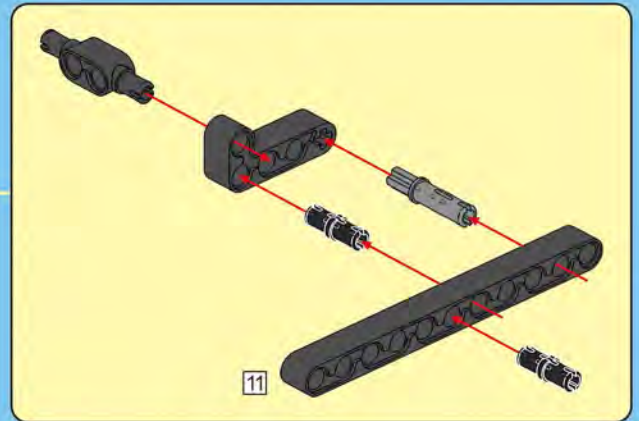
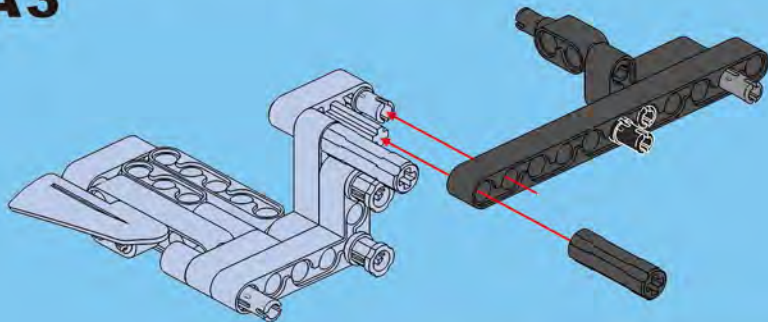


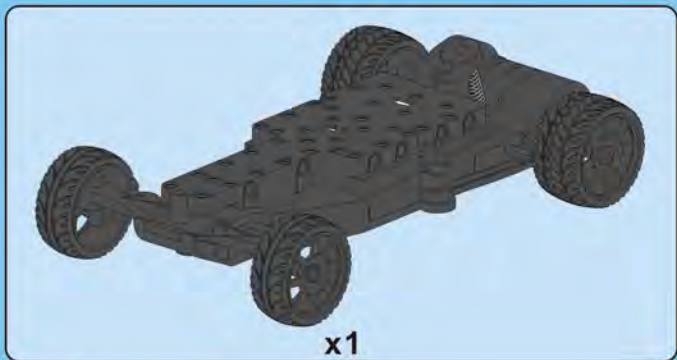


## A2

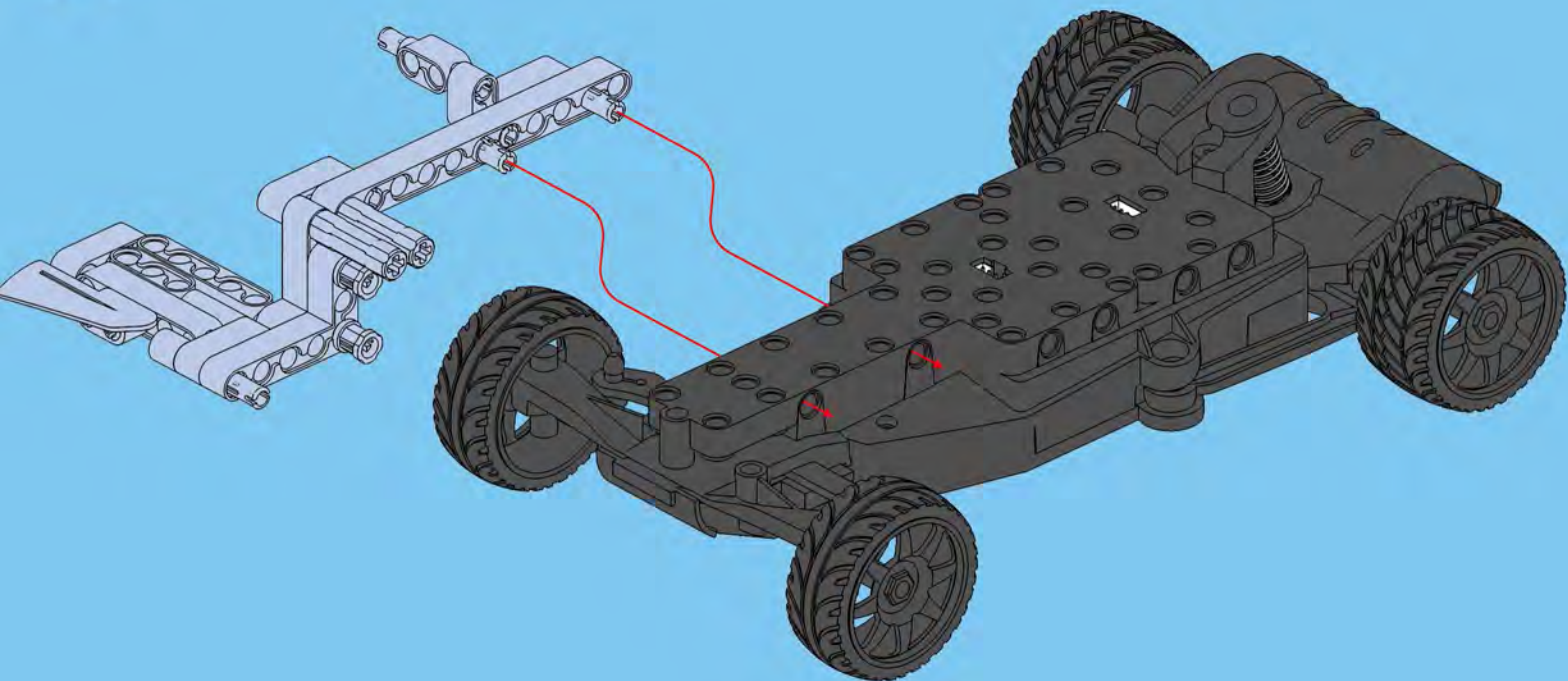


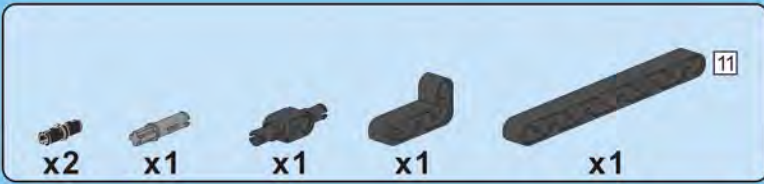
## A3



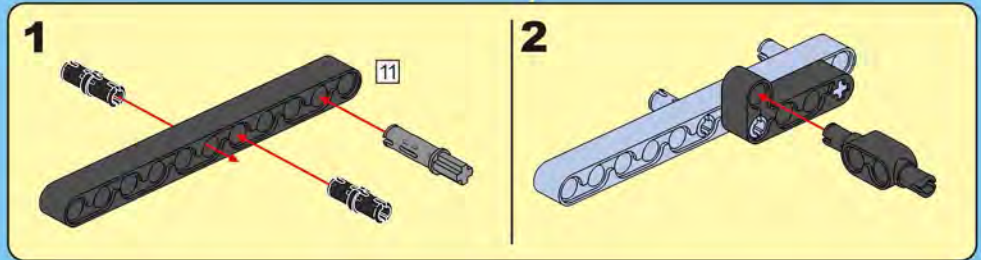
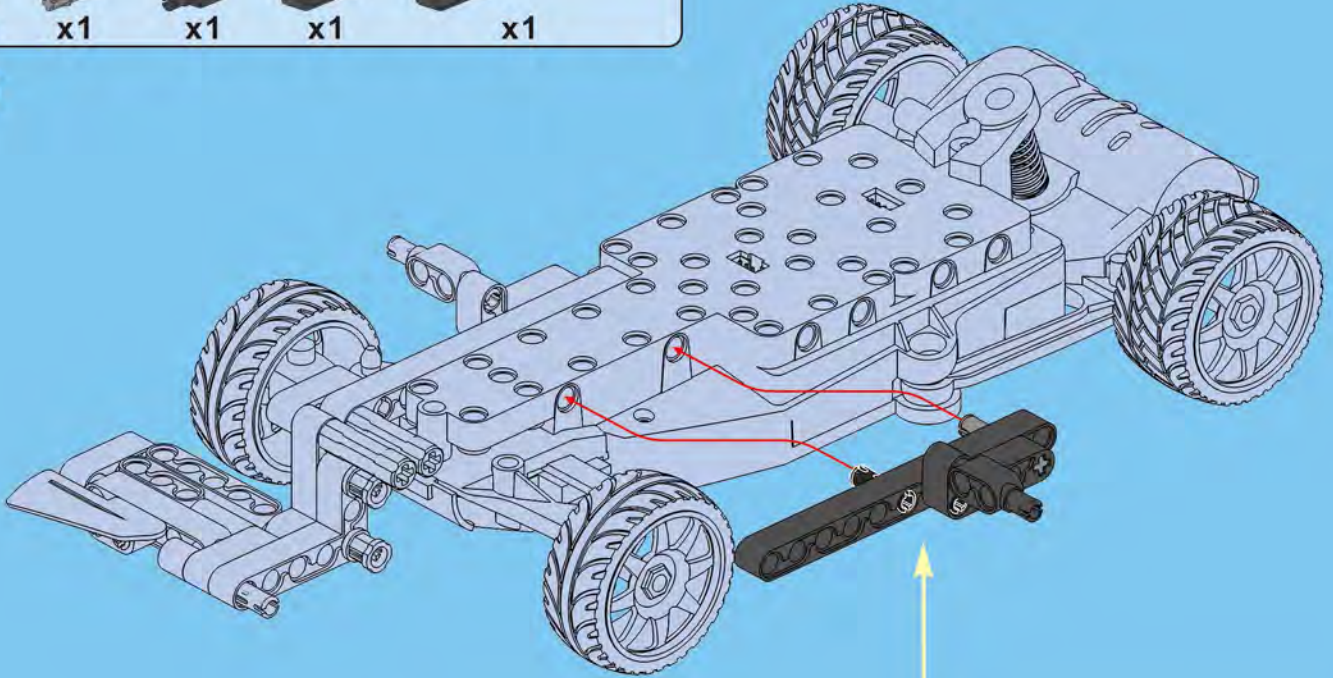


**A4**

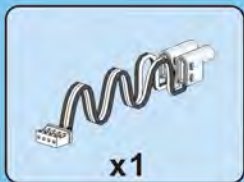




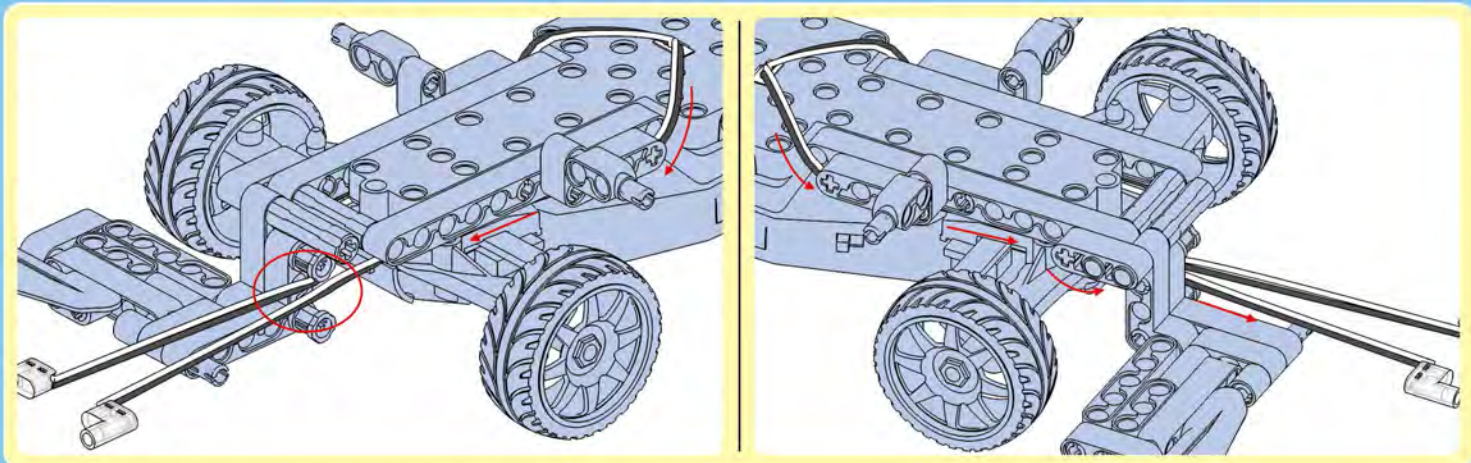
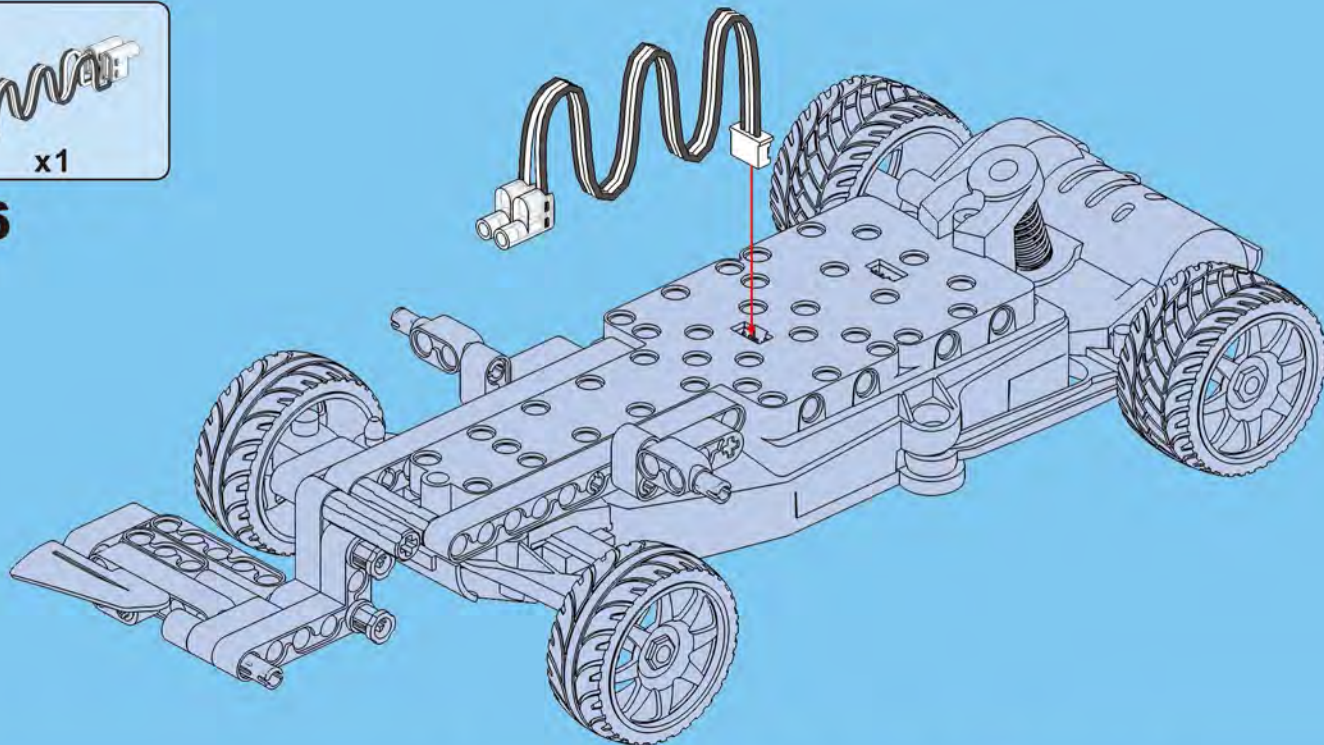
# A5

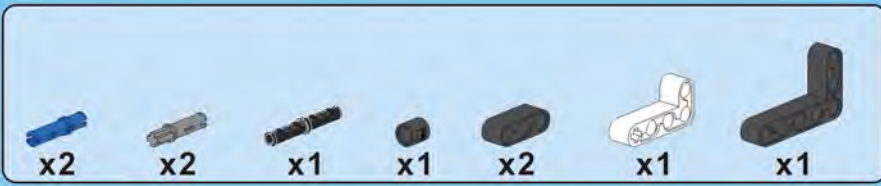




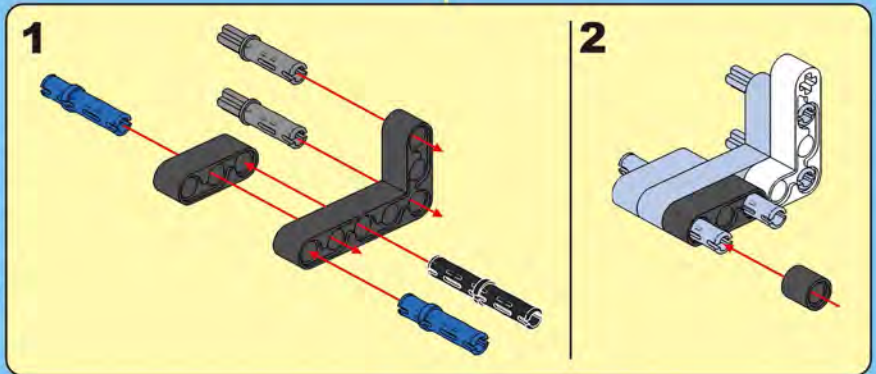
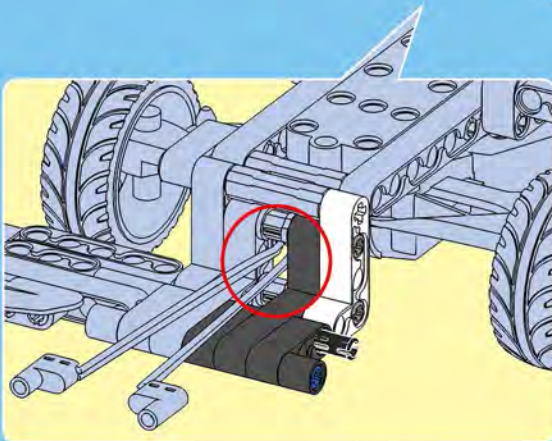
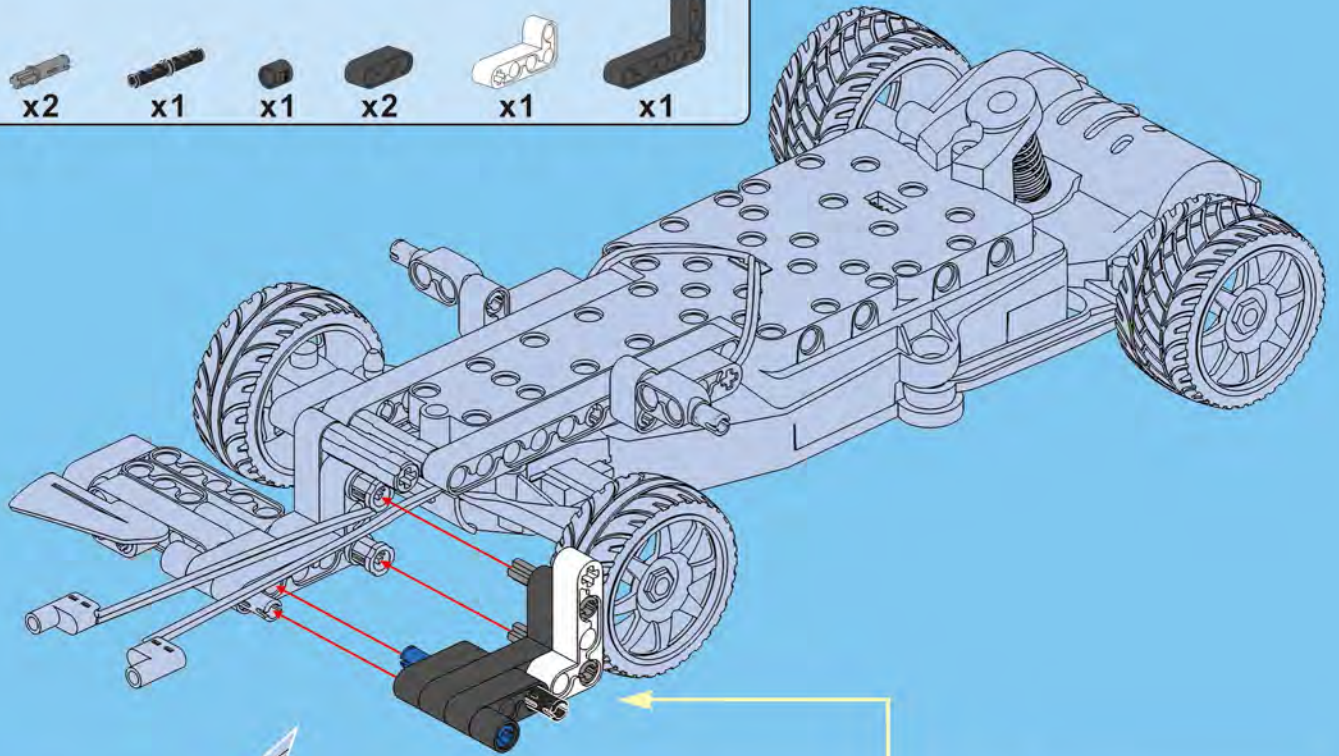


**A6**



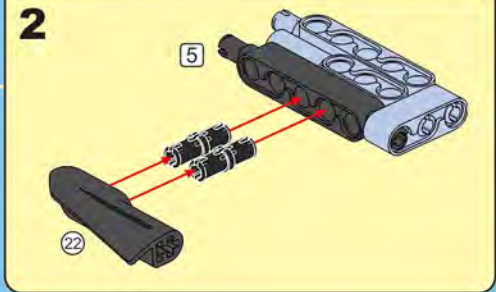
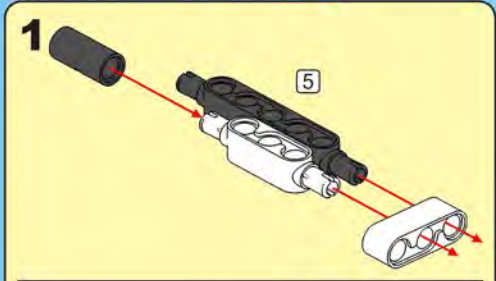
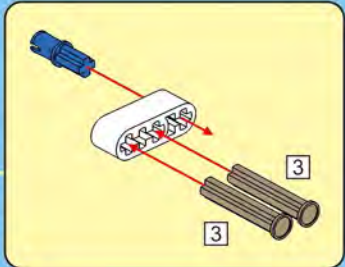
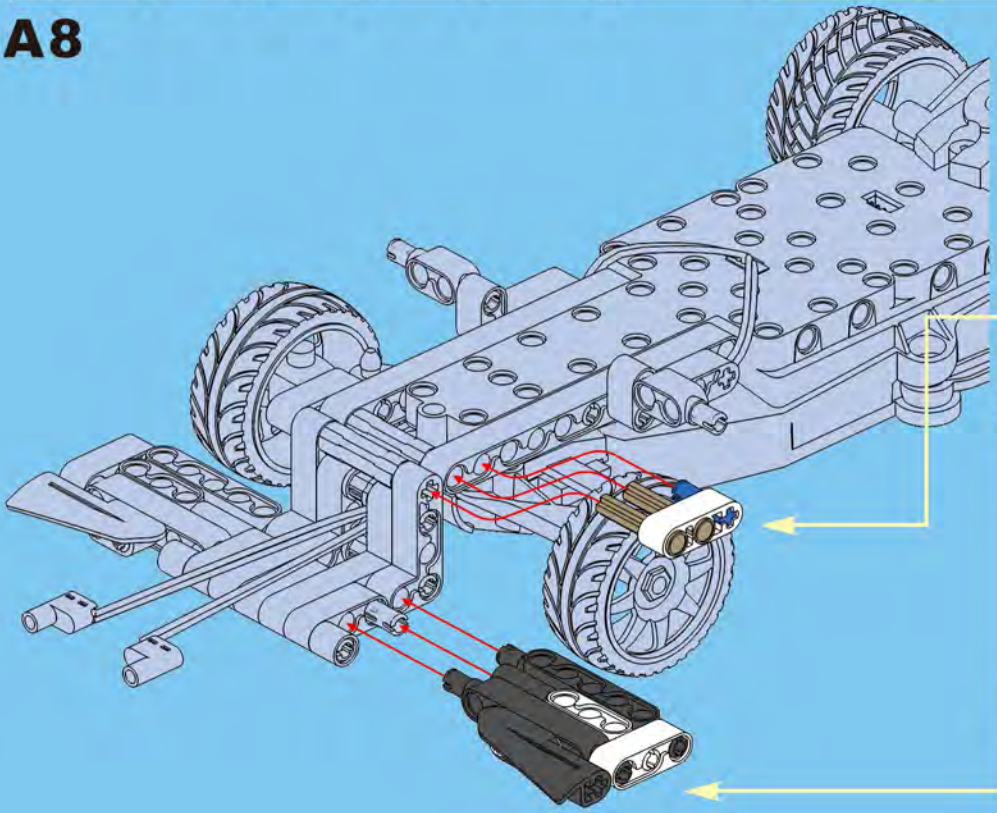


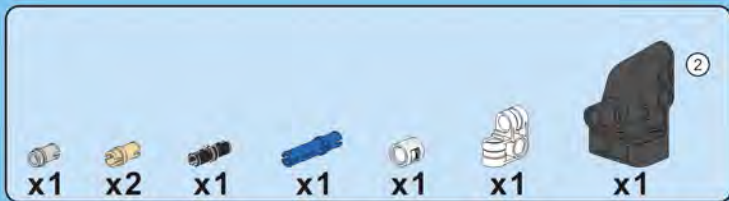
**A7**



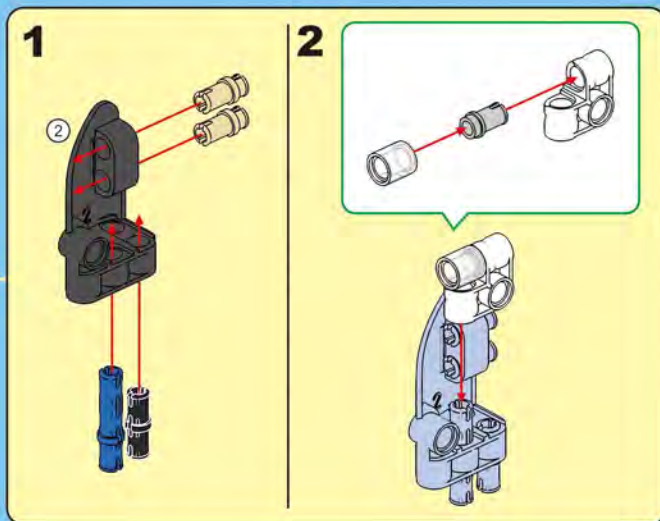


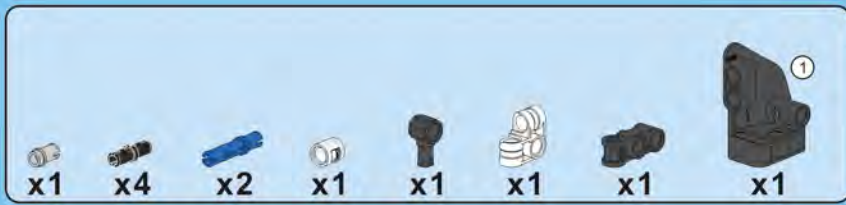
# A8



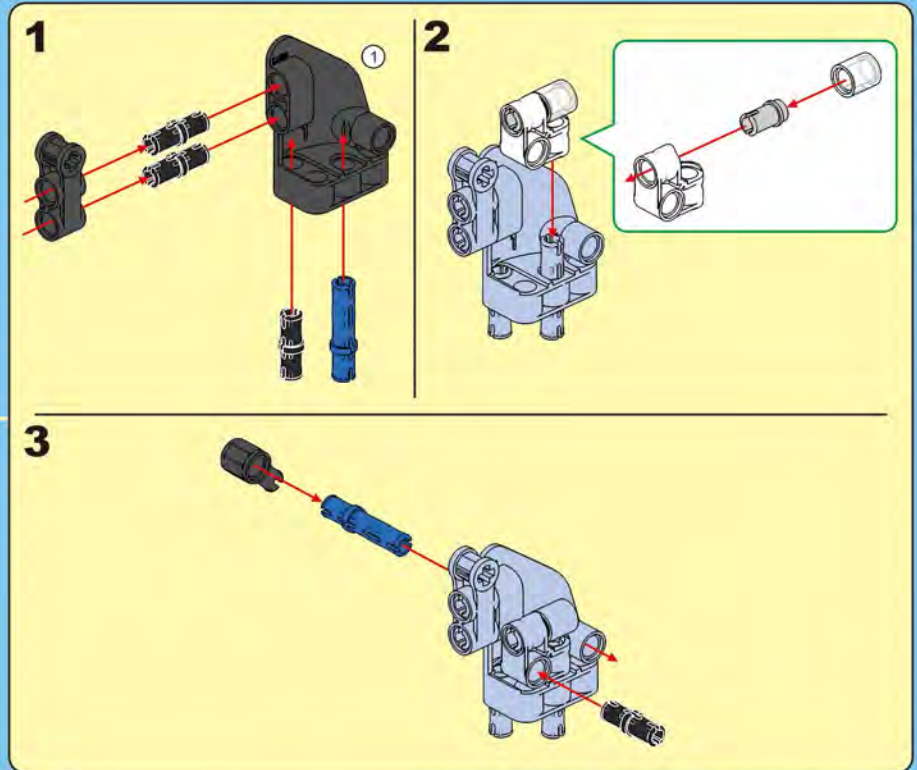
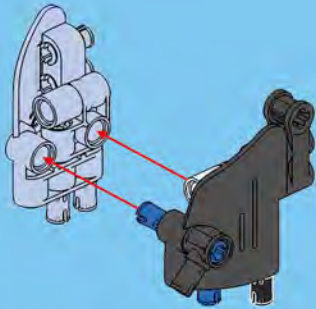


# A9



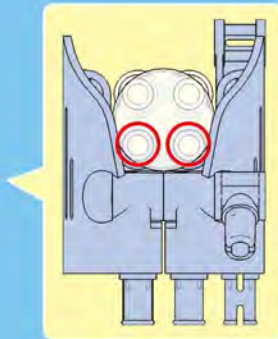
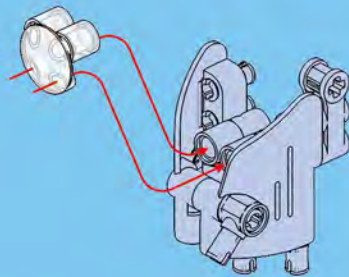
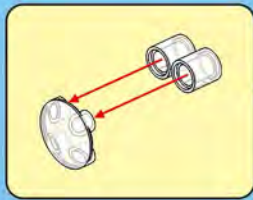


# A10

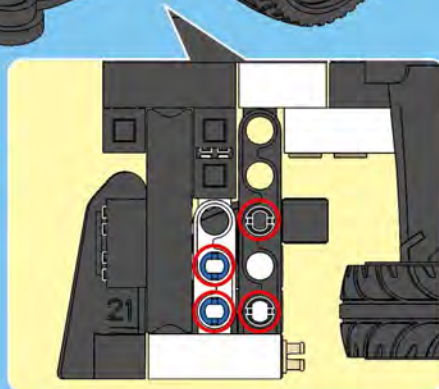
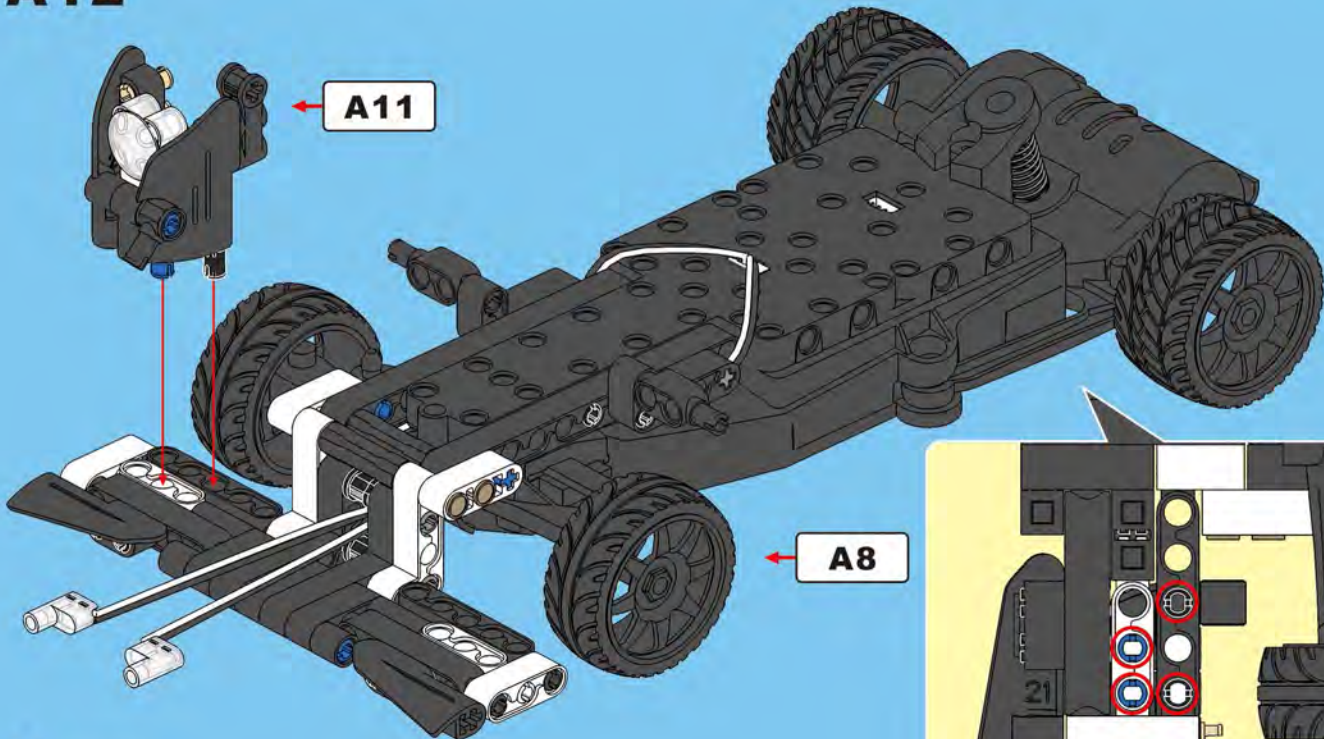




# A11

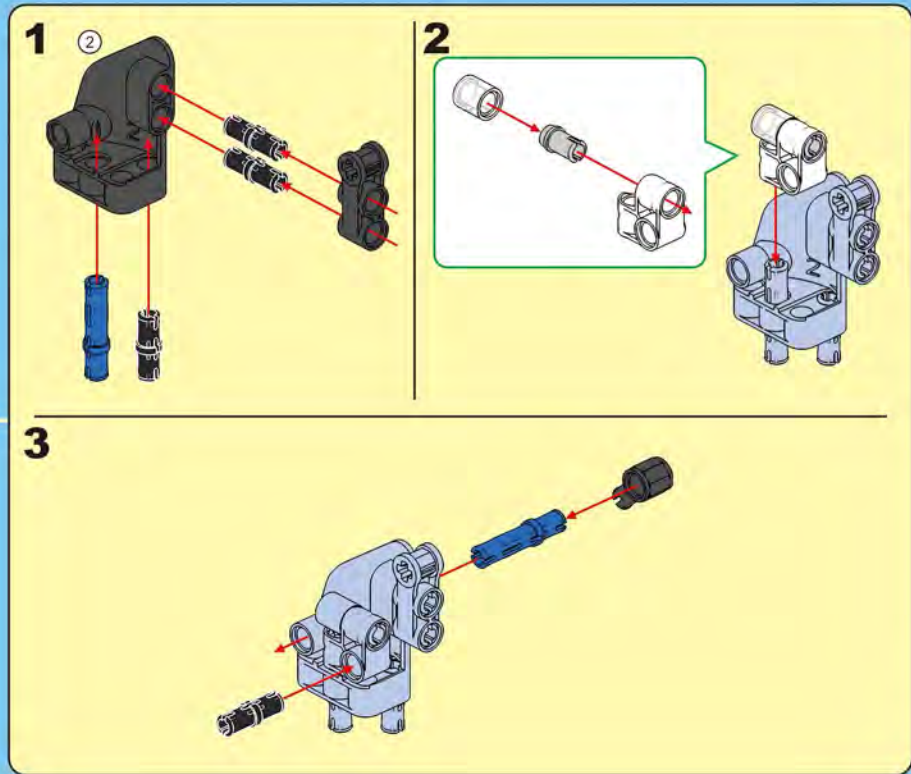
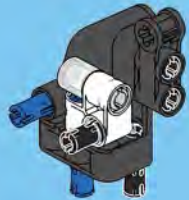


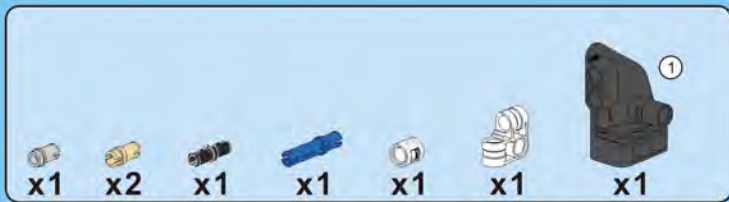
# A12



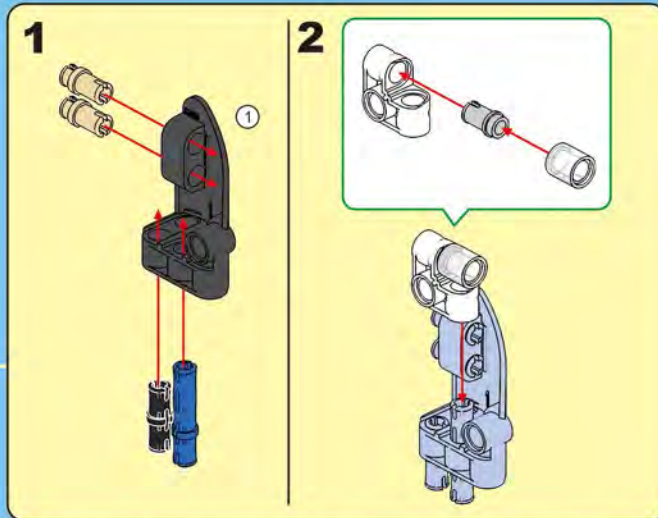
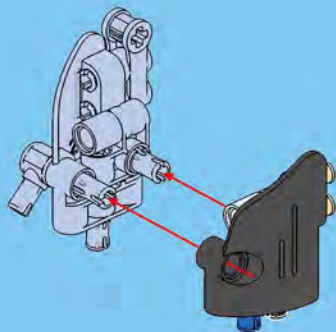


# A13

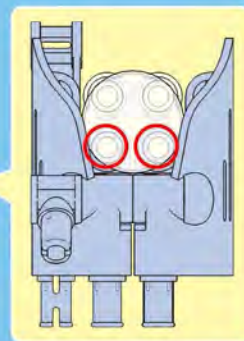
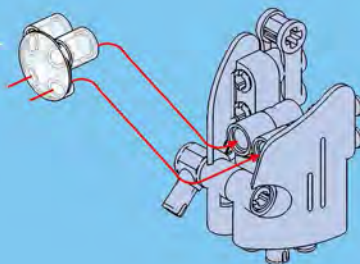
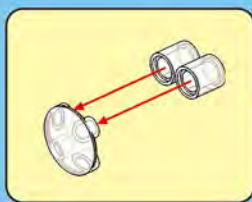




## A14

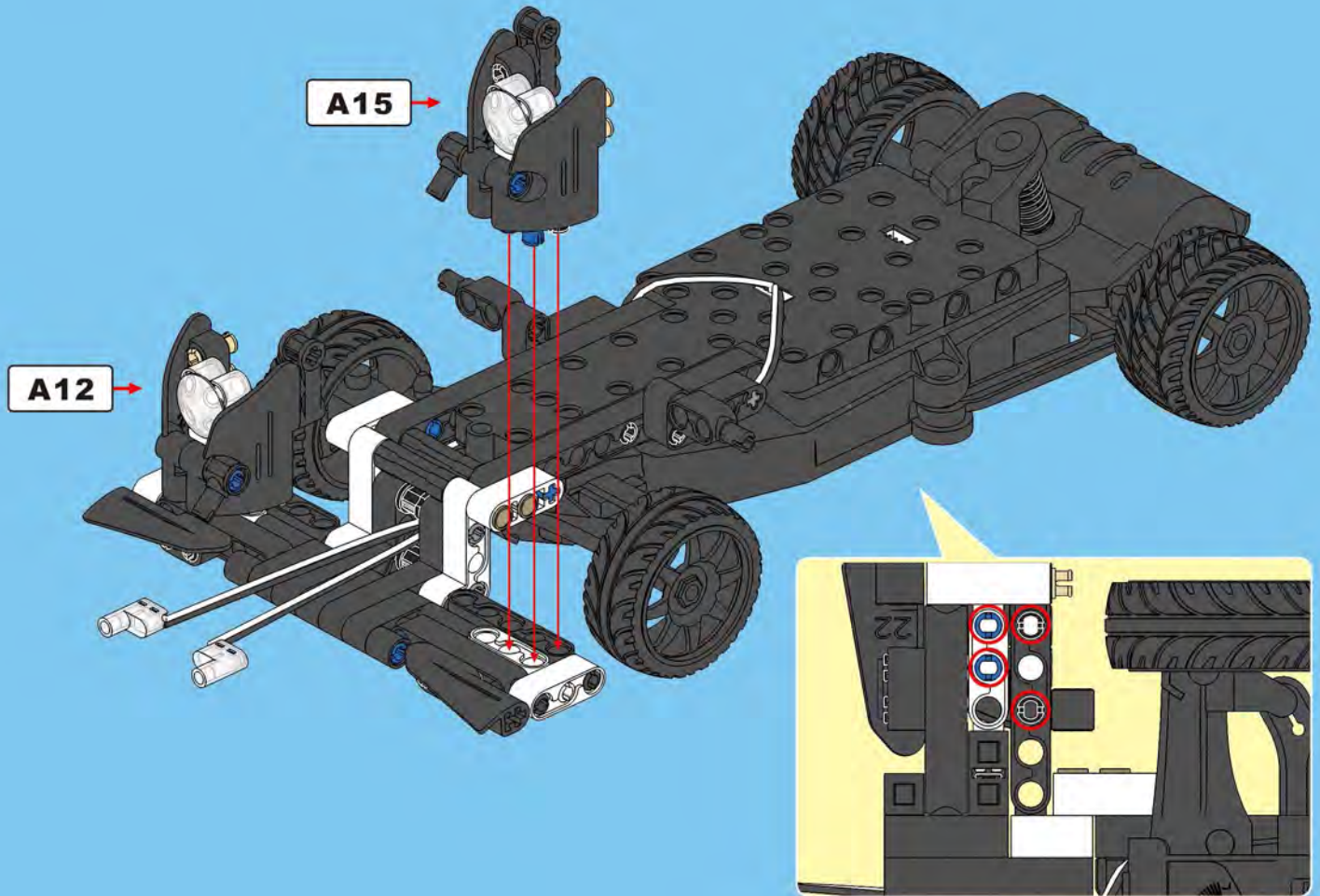


## A15

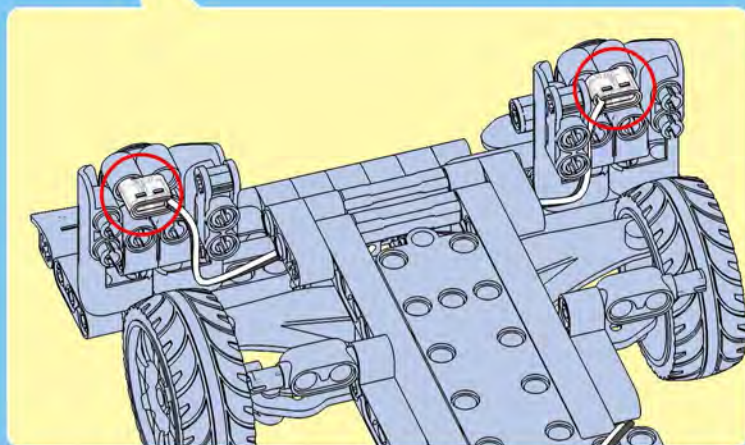
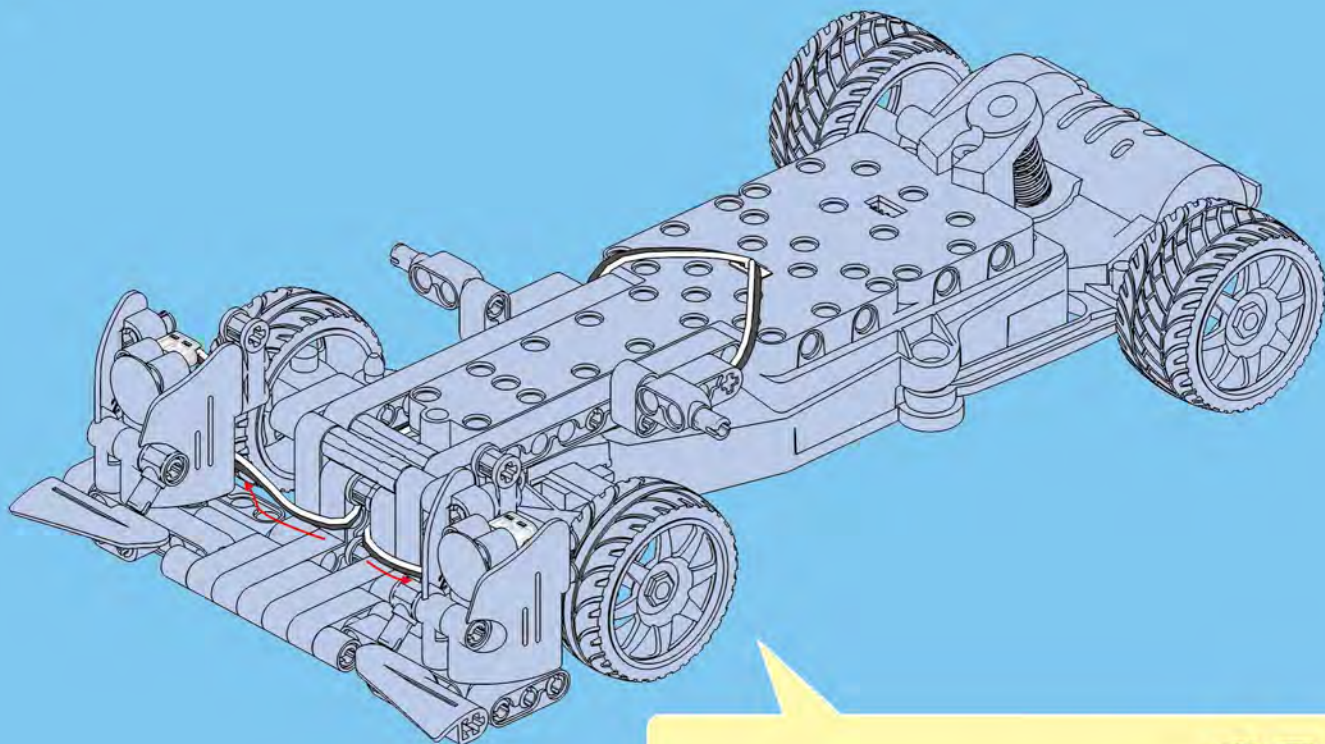




# A16

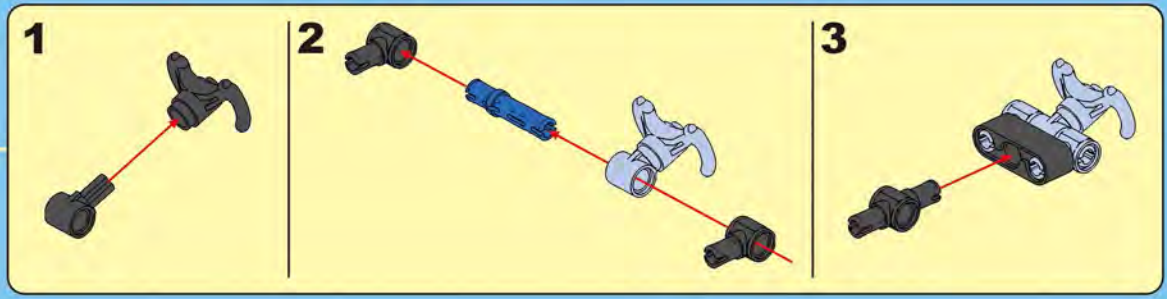


# A17

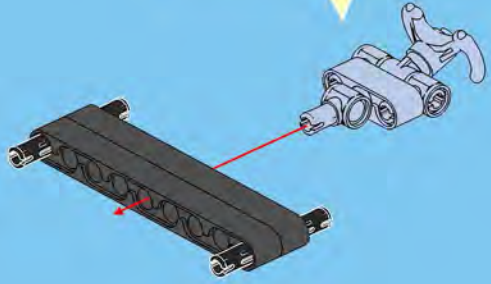
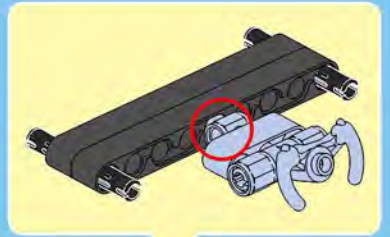
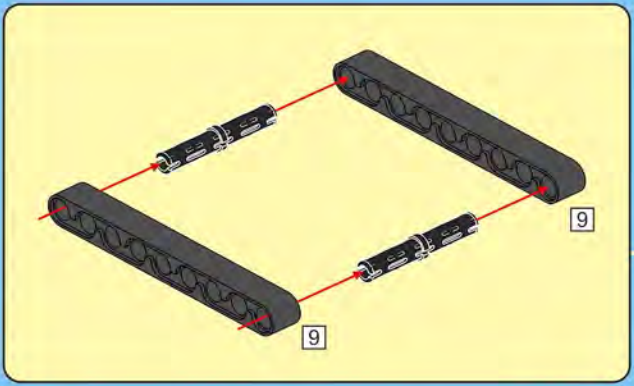


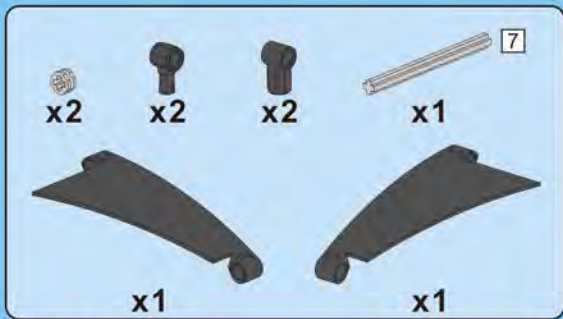


# A18

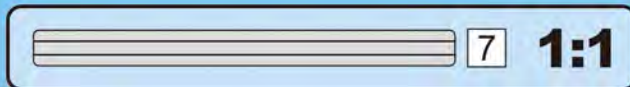
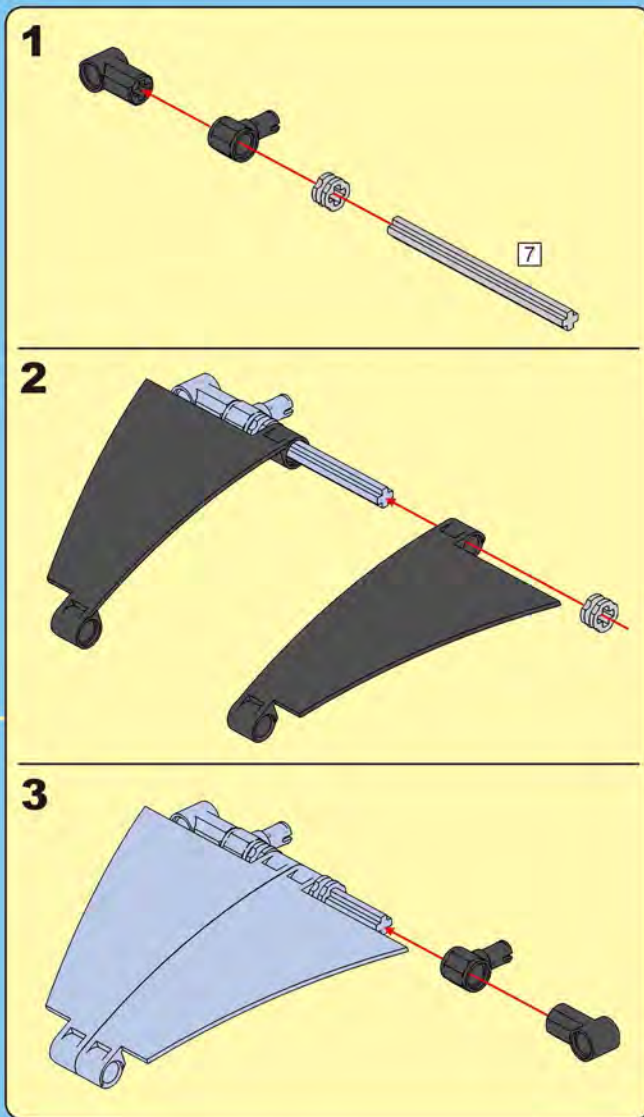
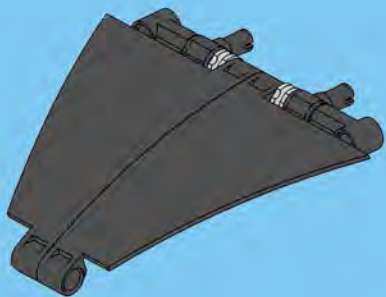


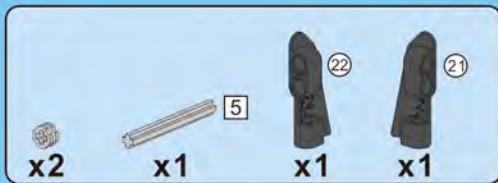
# A19



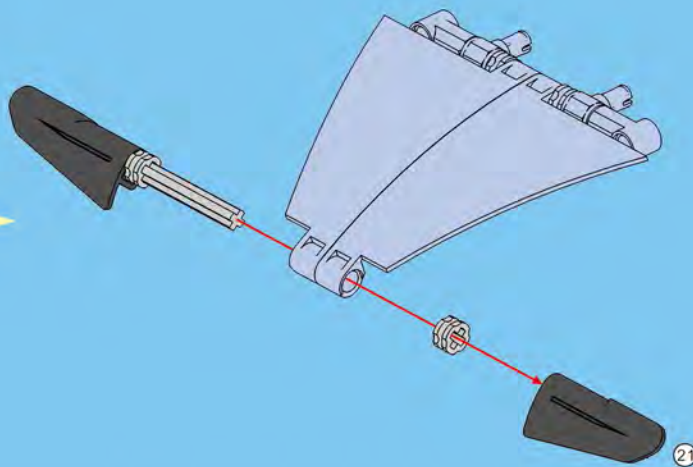
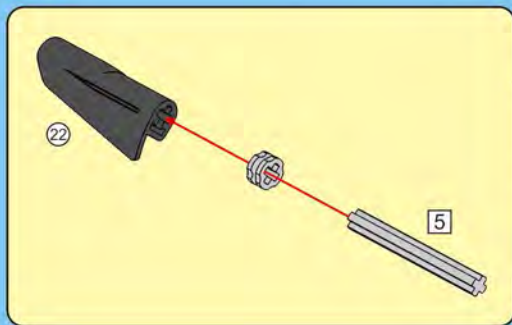


# A20

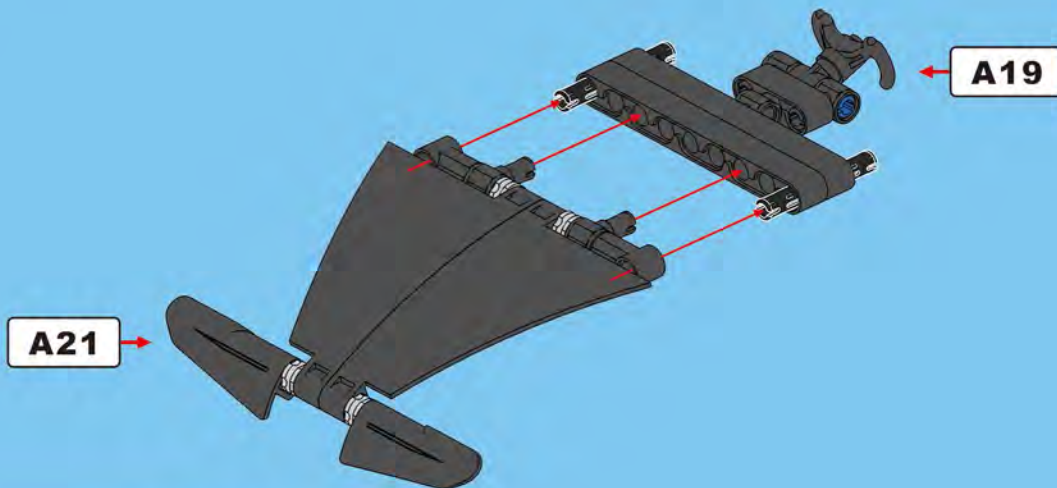




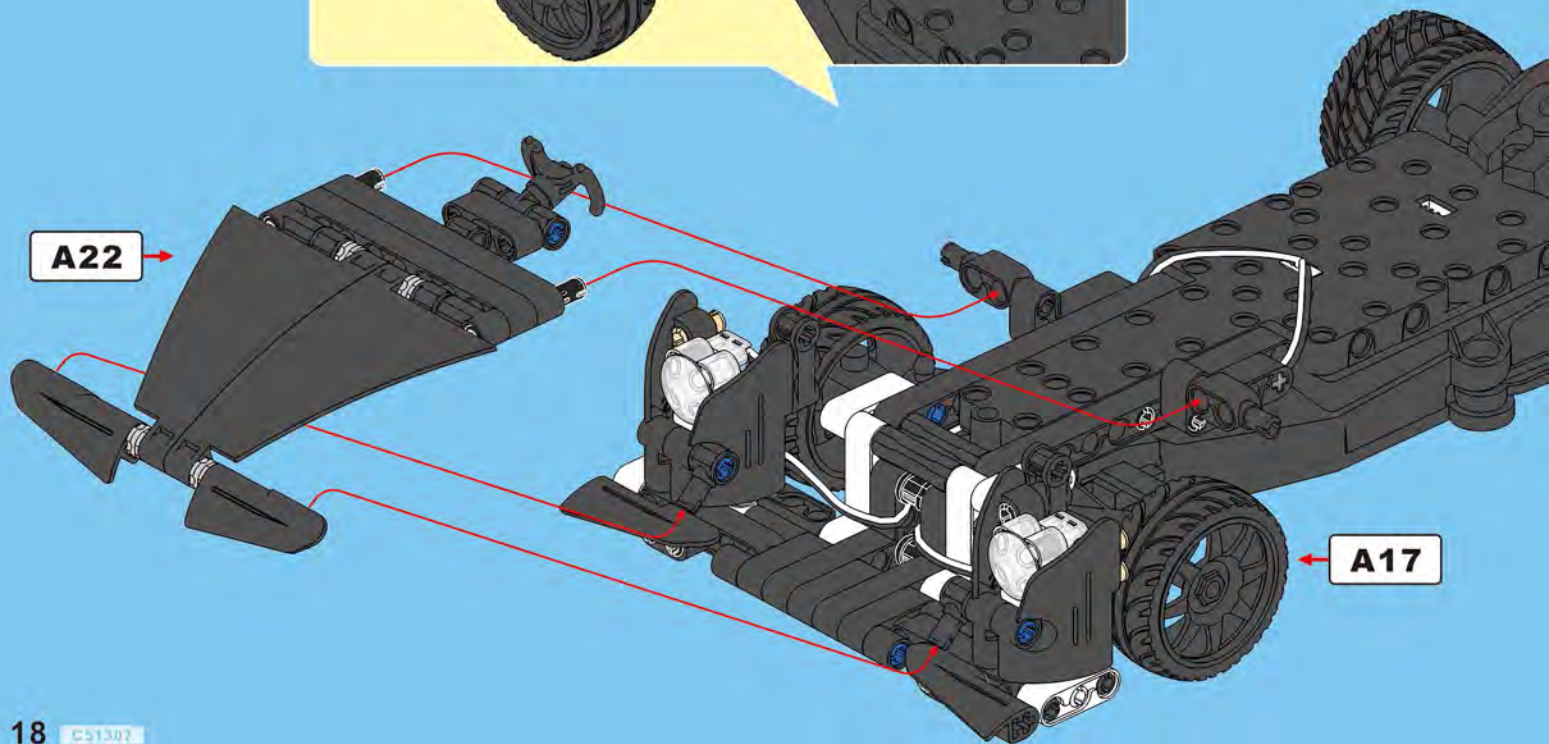
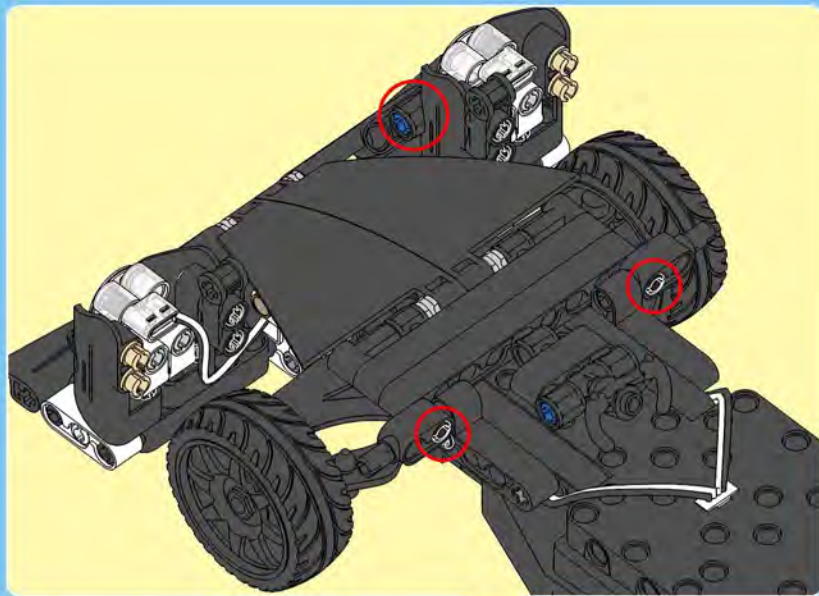
## A21



## A22

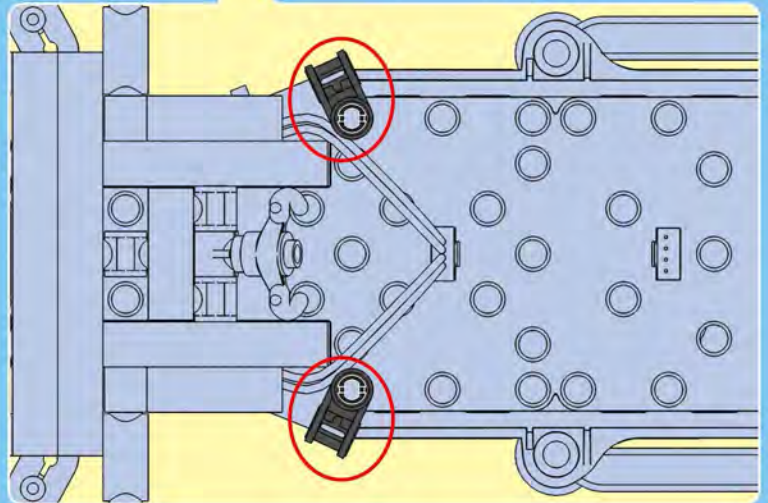
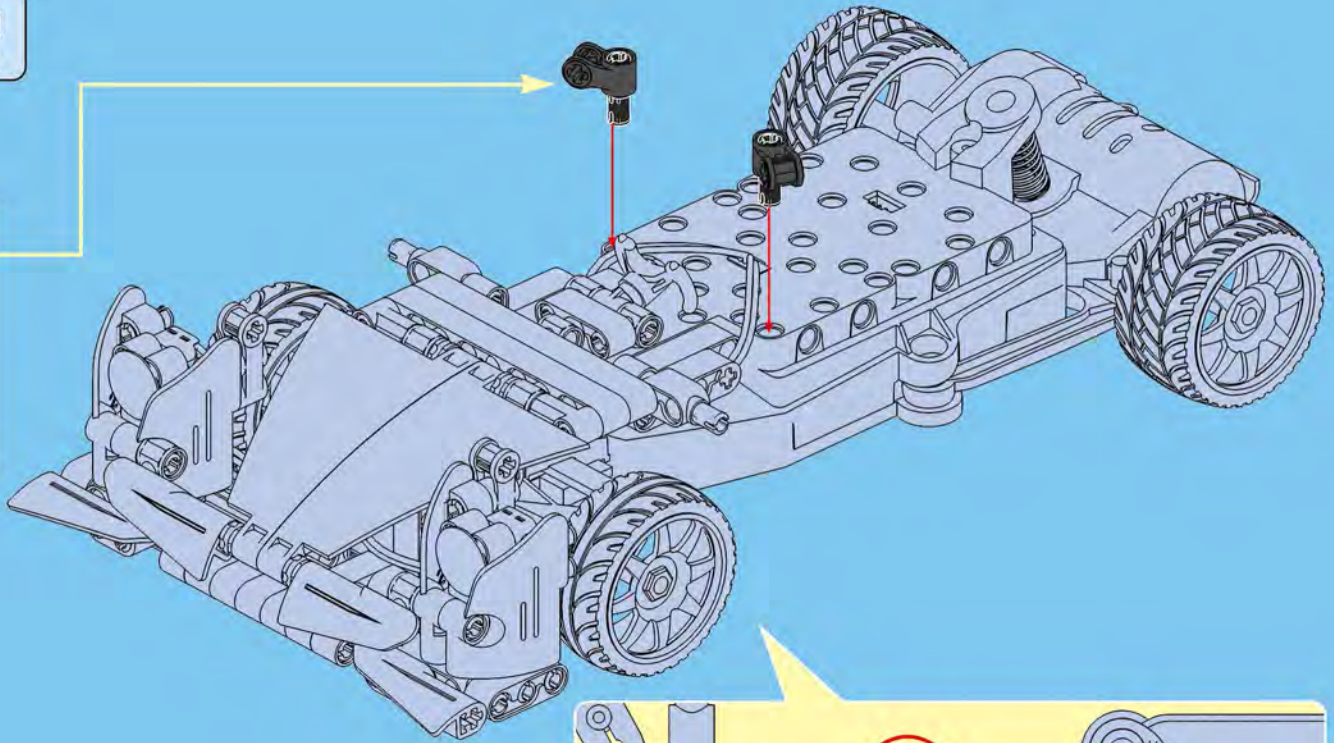


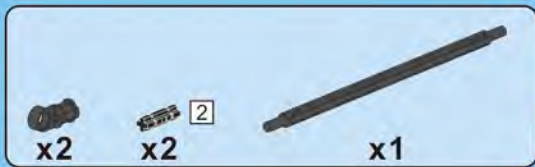
**A23**



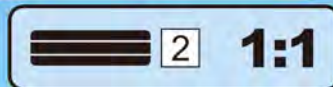
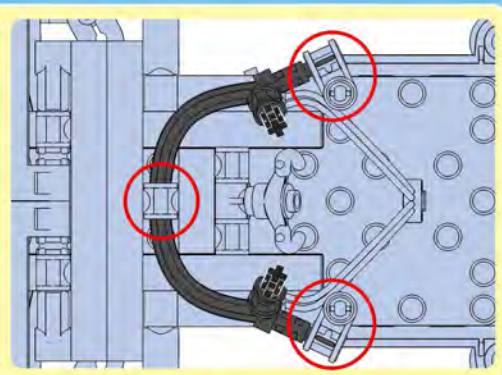
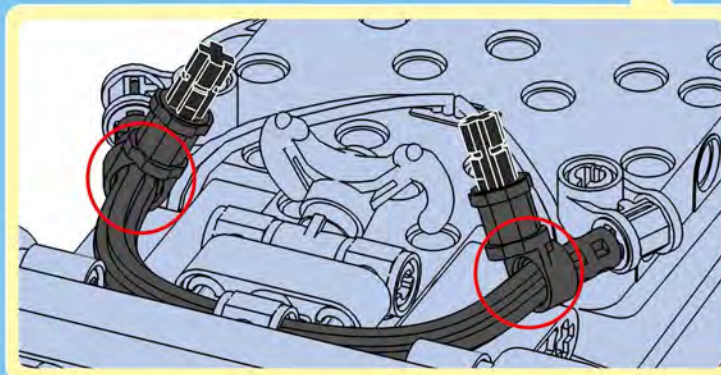
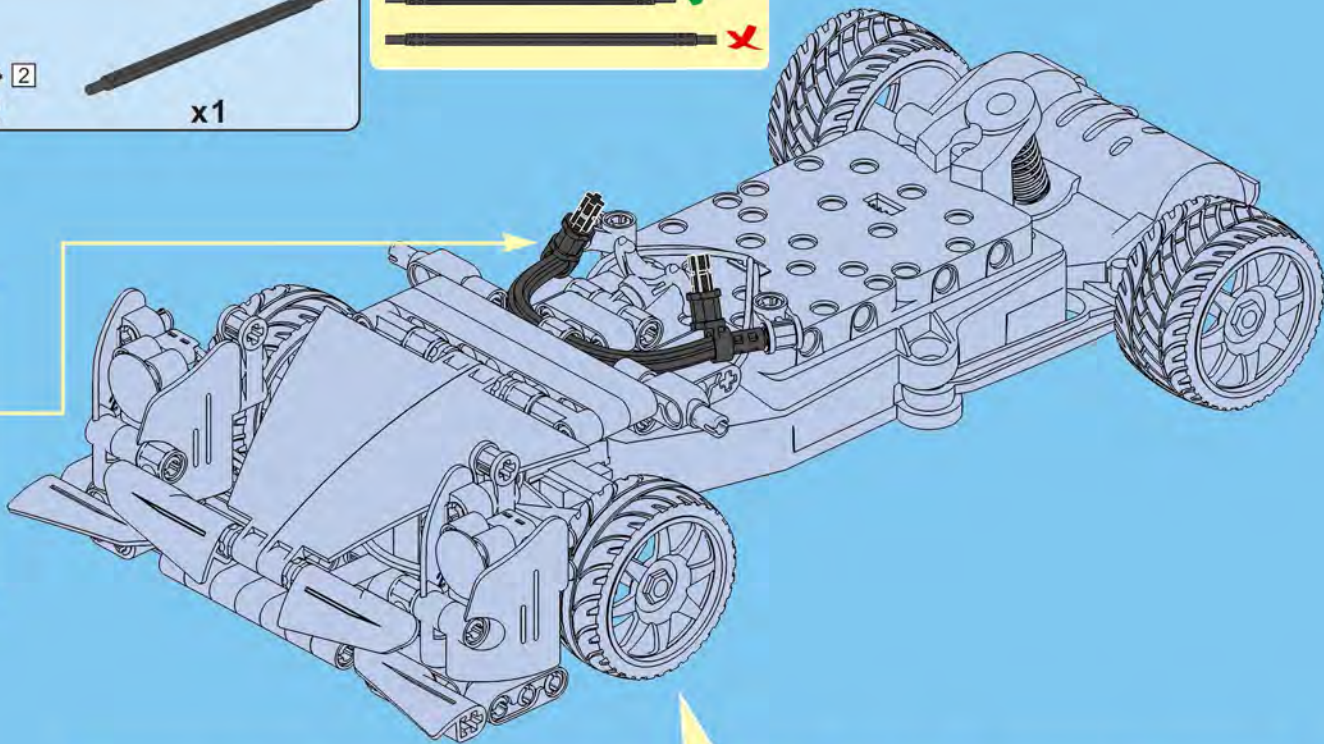


**A24**

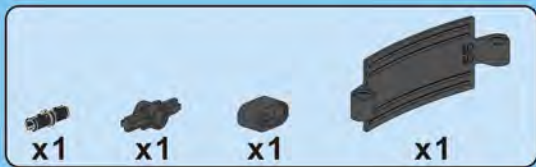




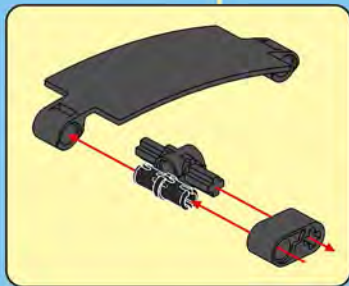
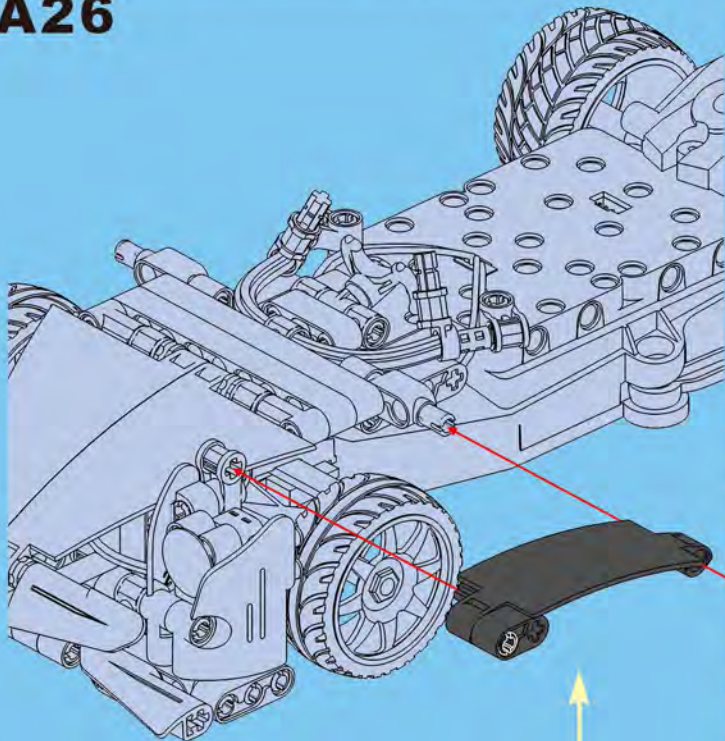
# A25



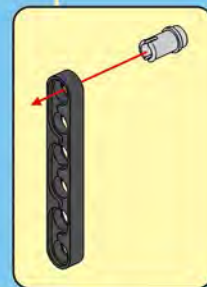
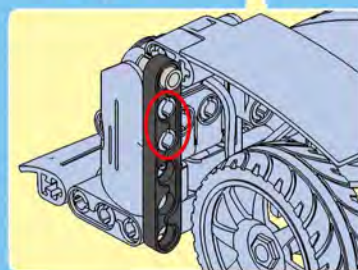
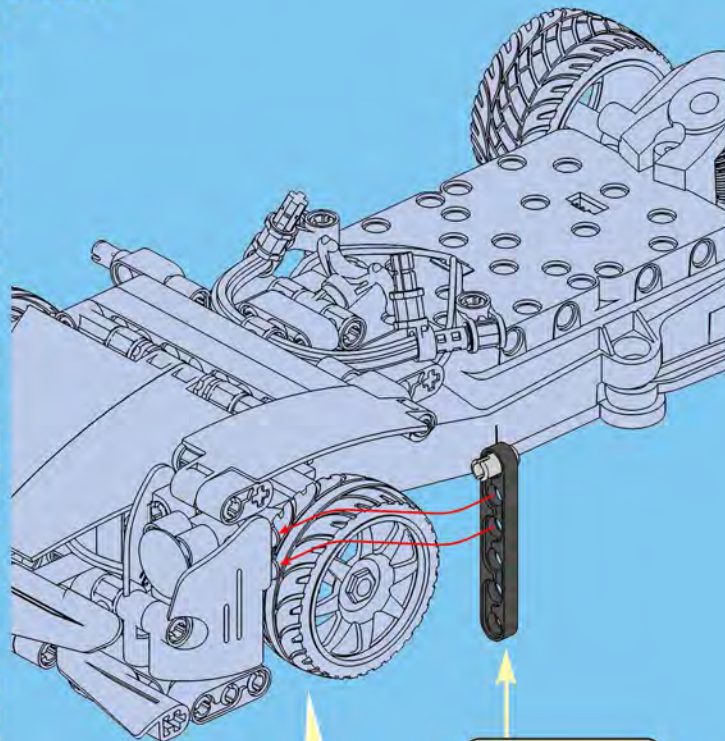


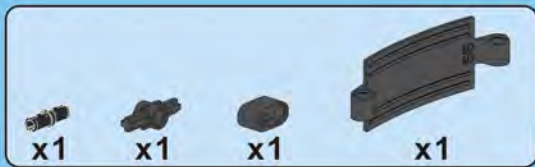


**A26**

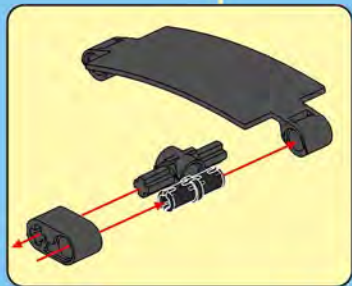
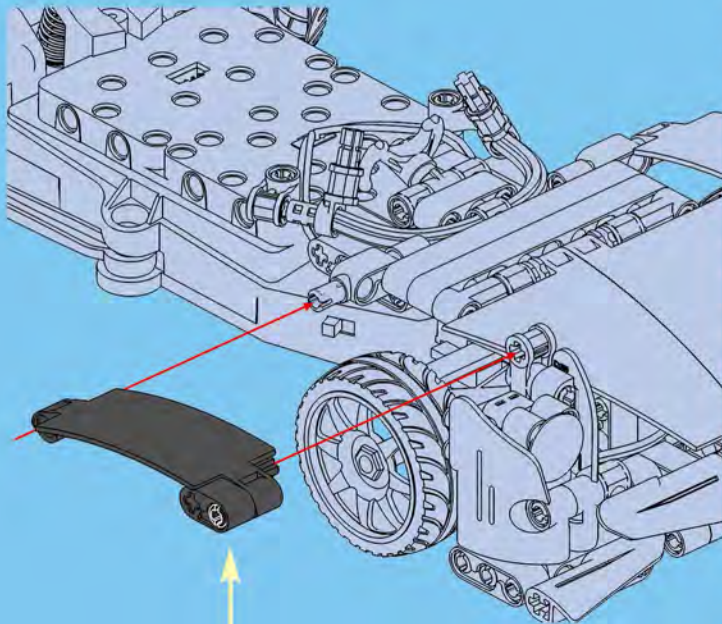


**A27**

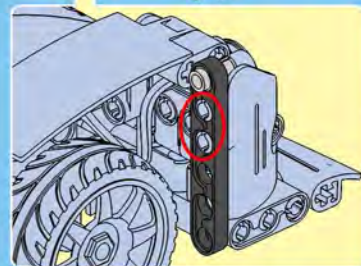
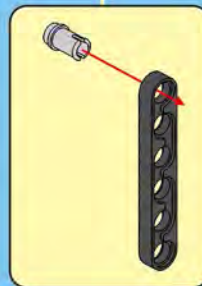
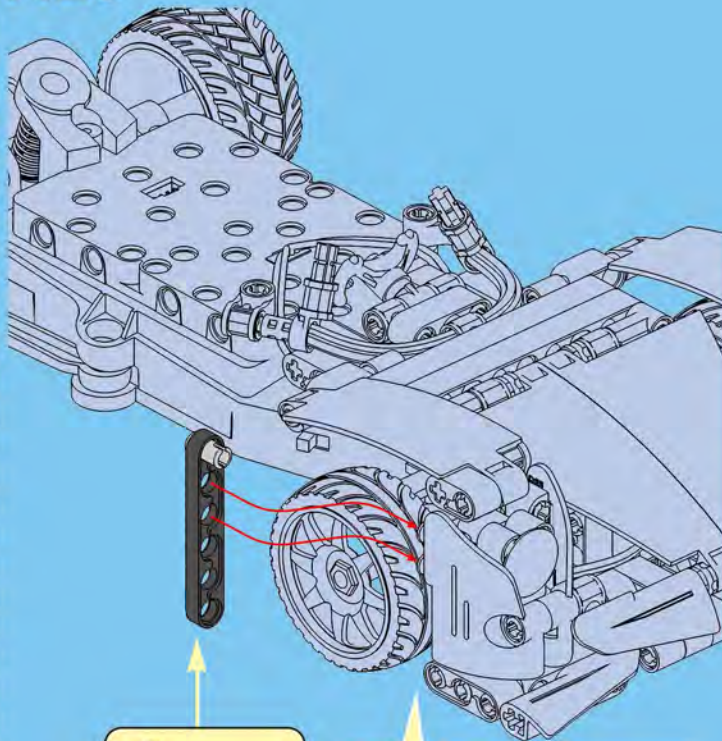


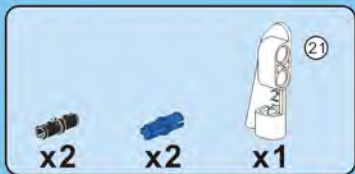


## A28

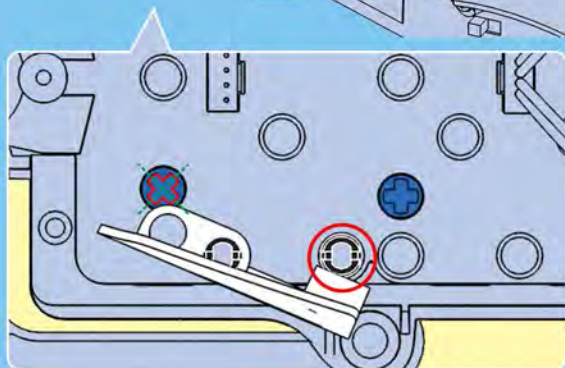
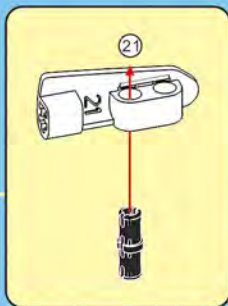
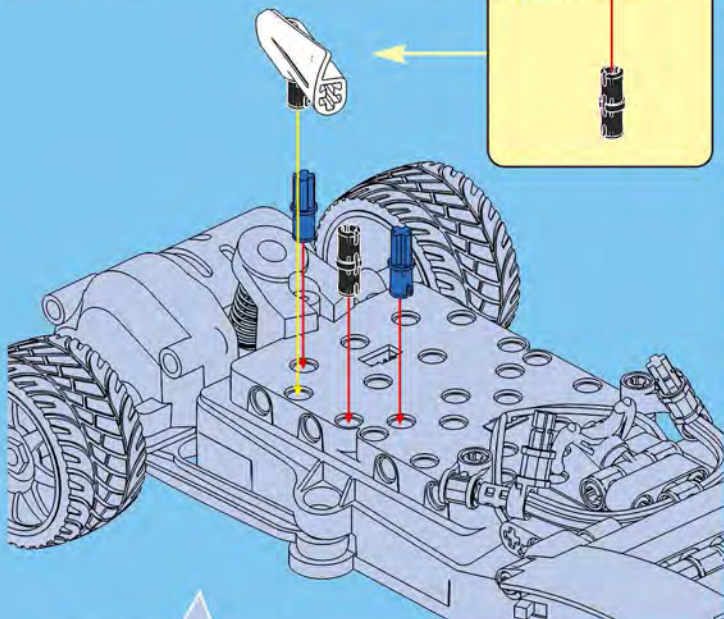


## A29

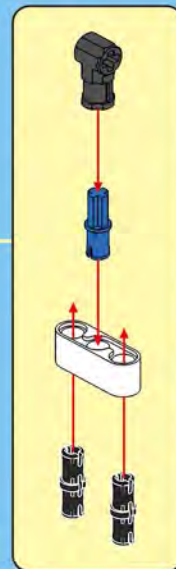
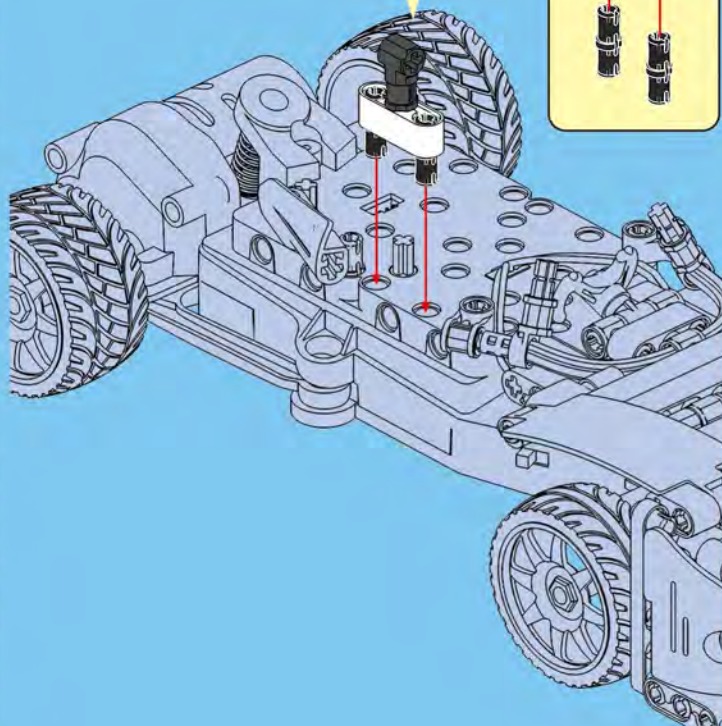


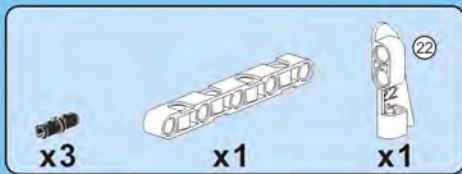


## A30

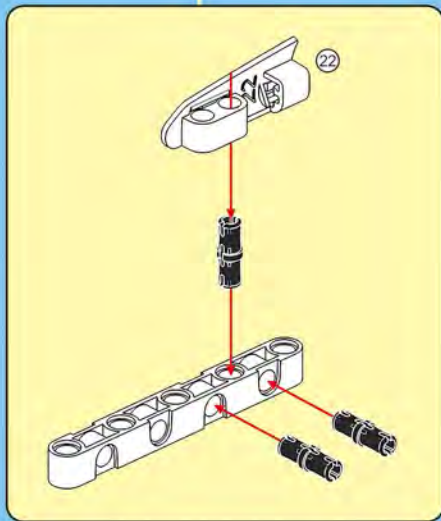
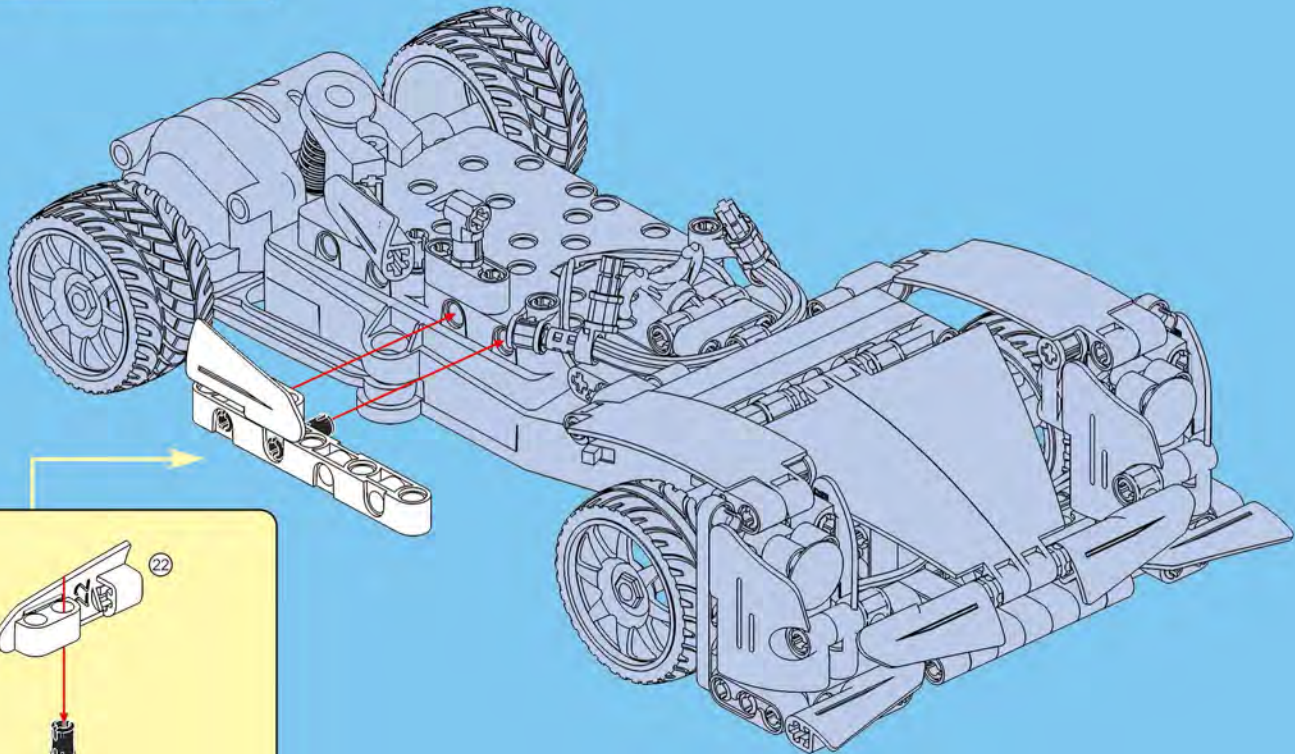


## A31



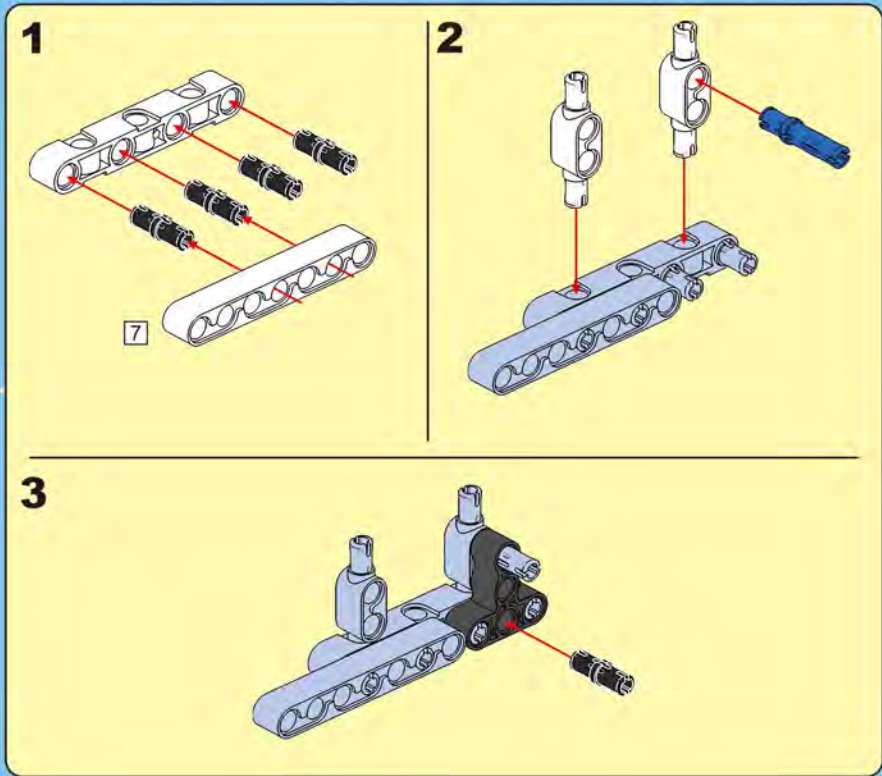
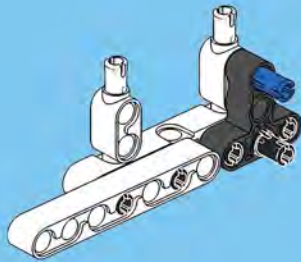


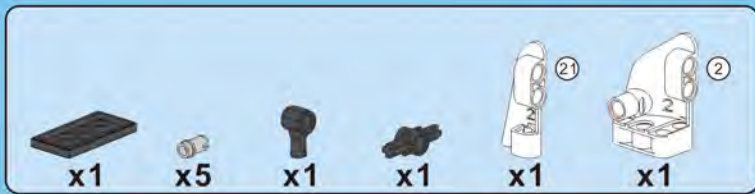
# A32



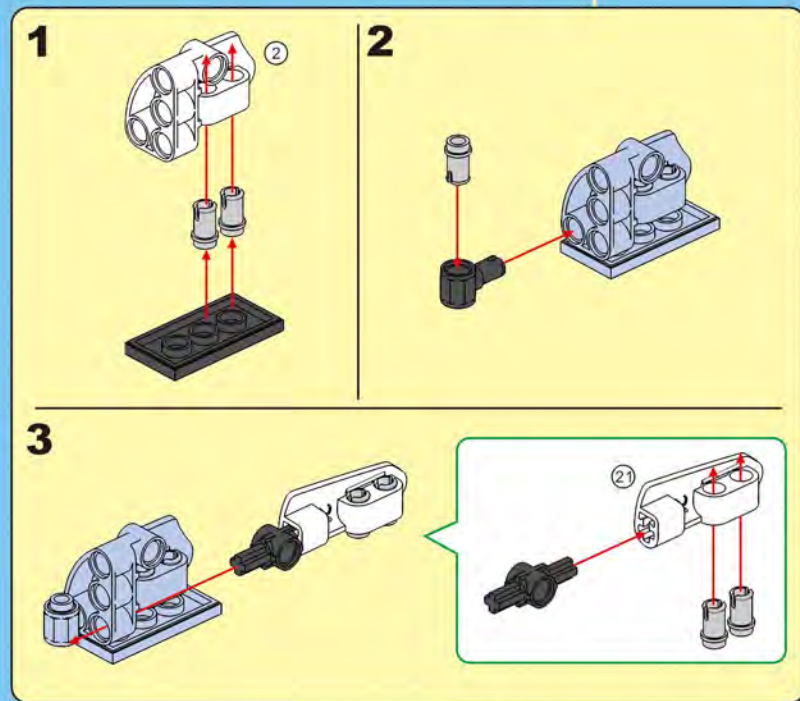
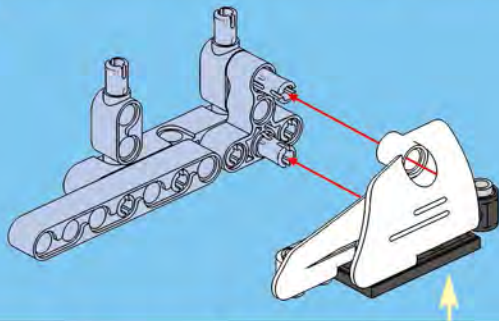


# A33

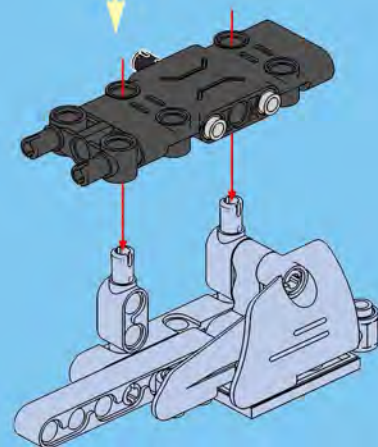
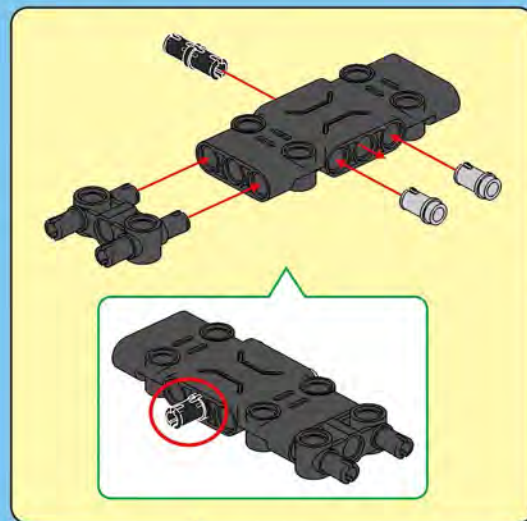


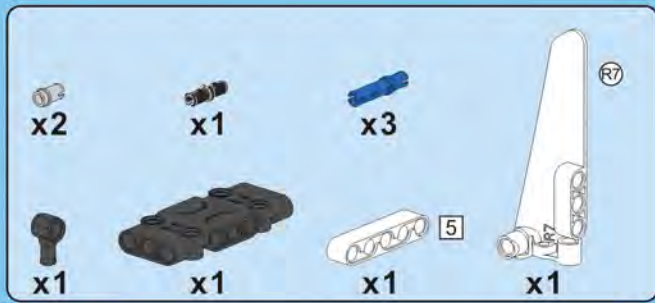


**A34**

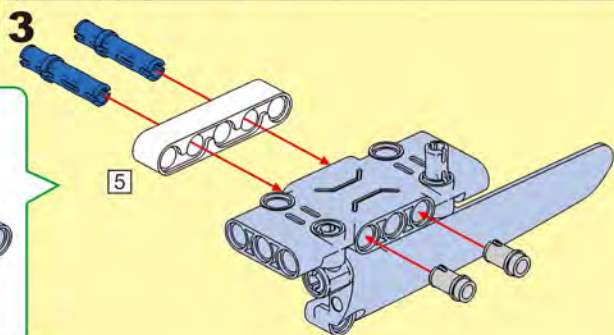
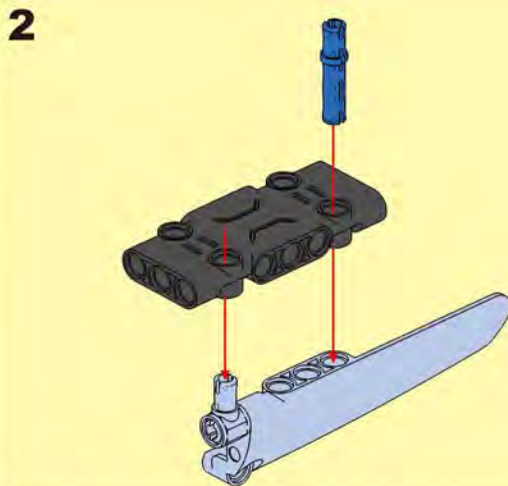
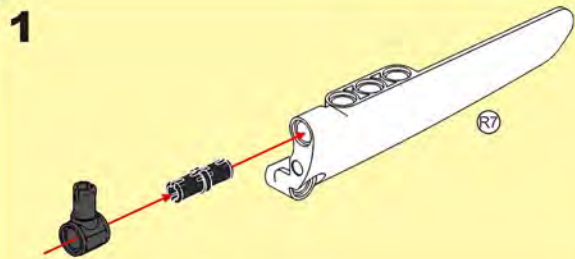
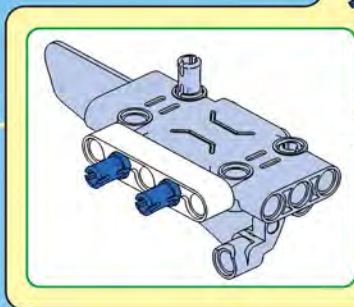
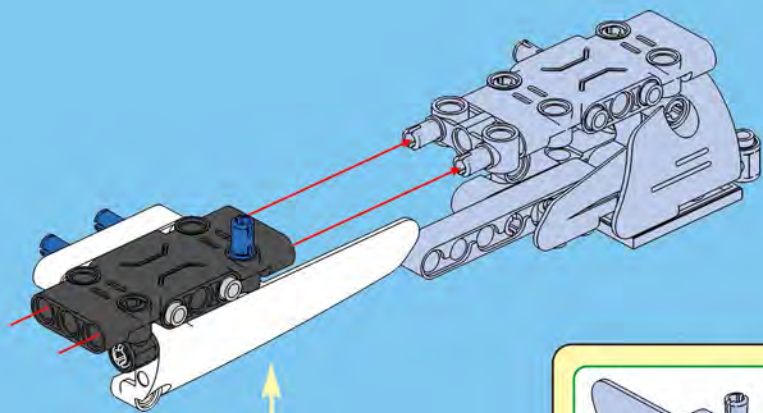


**A35**



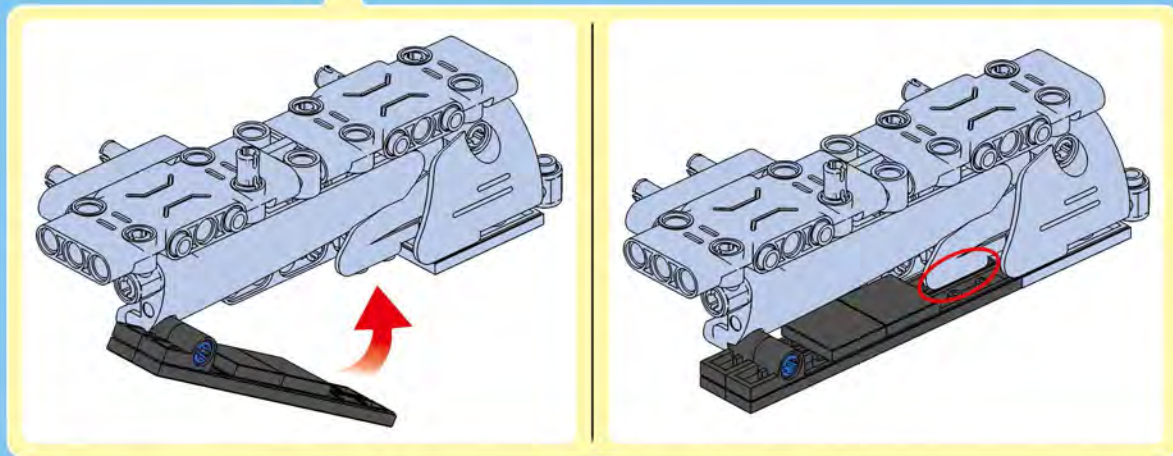
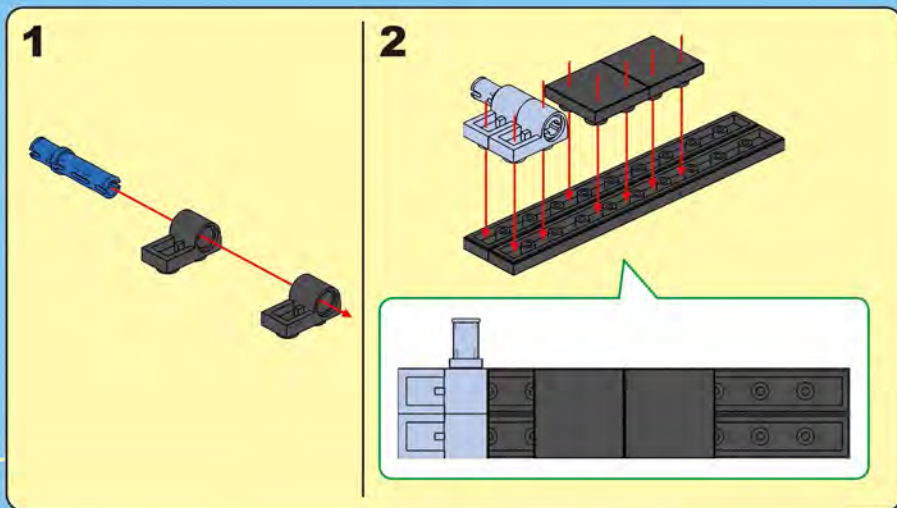
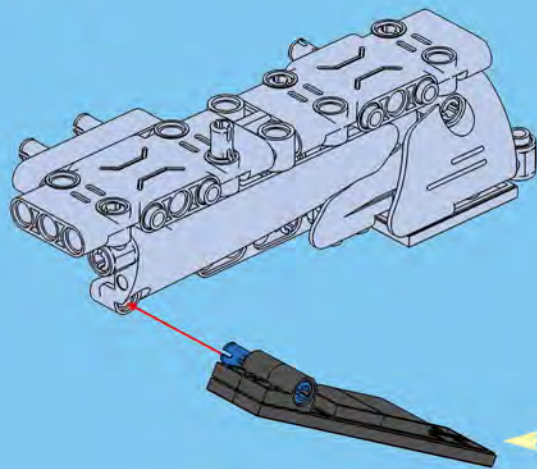


# A36





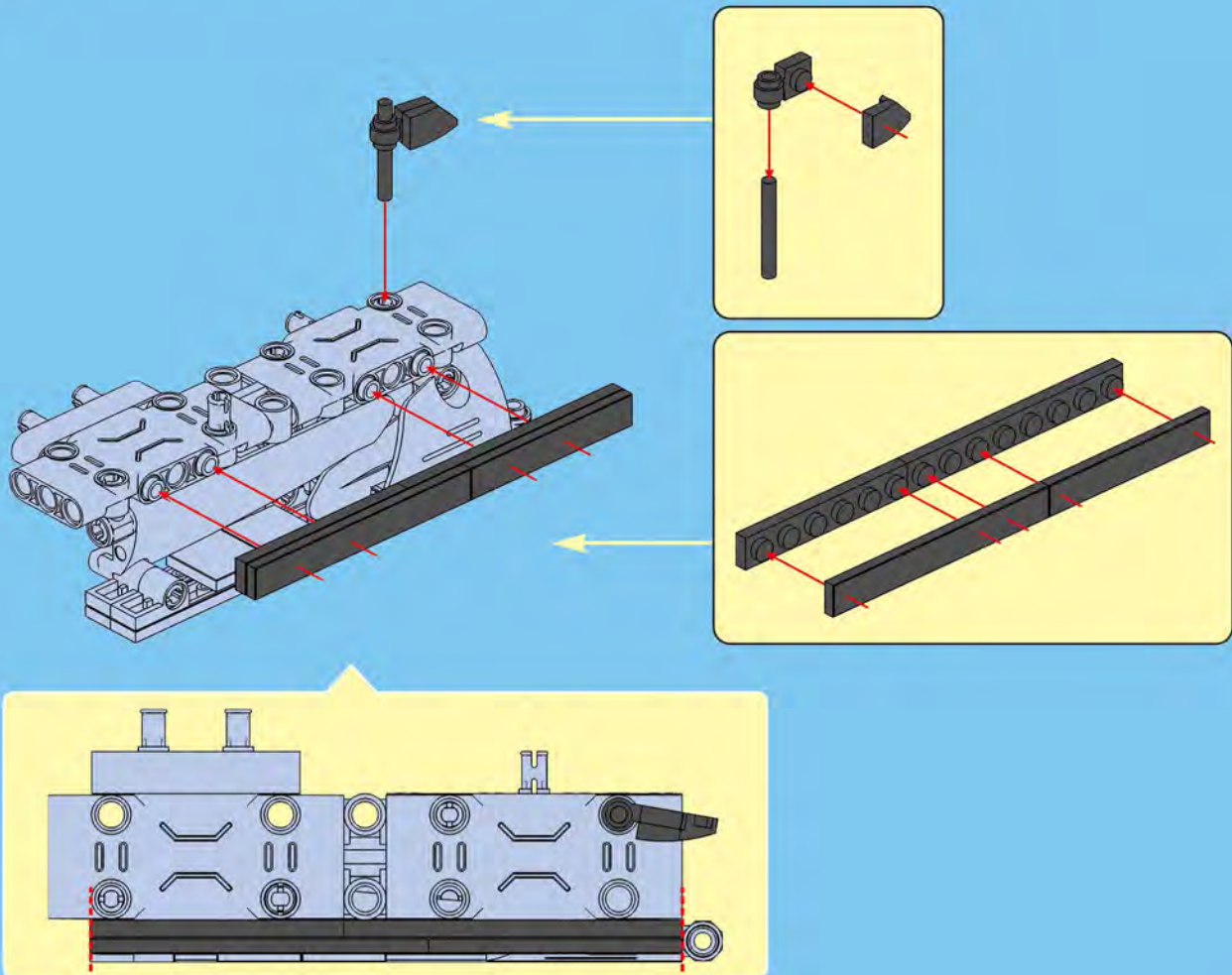
# A37



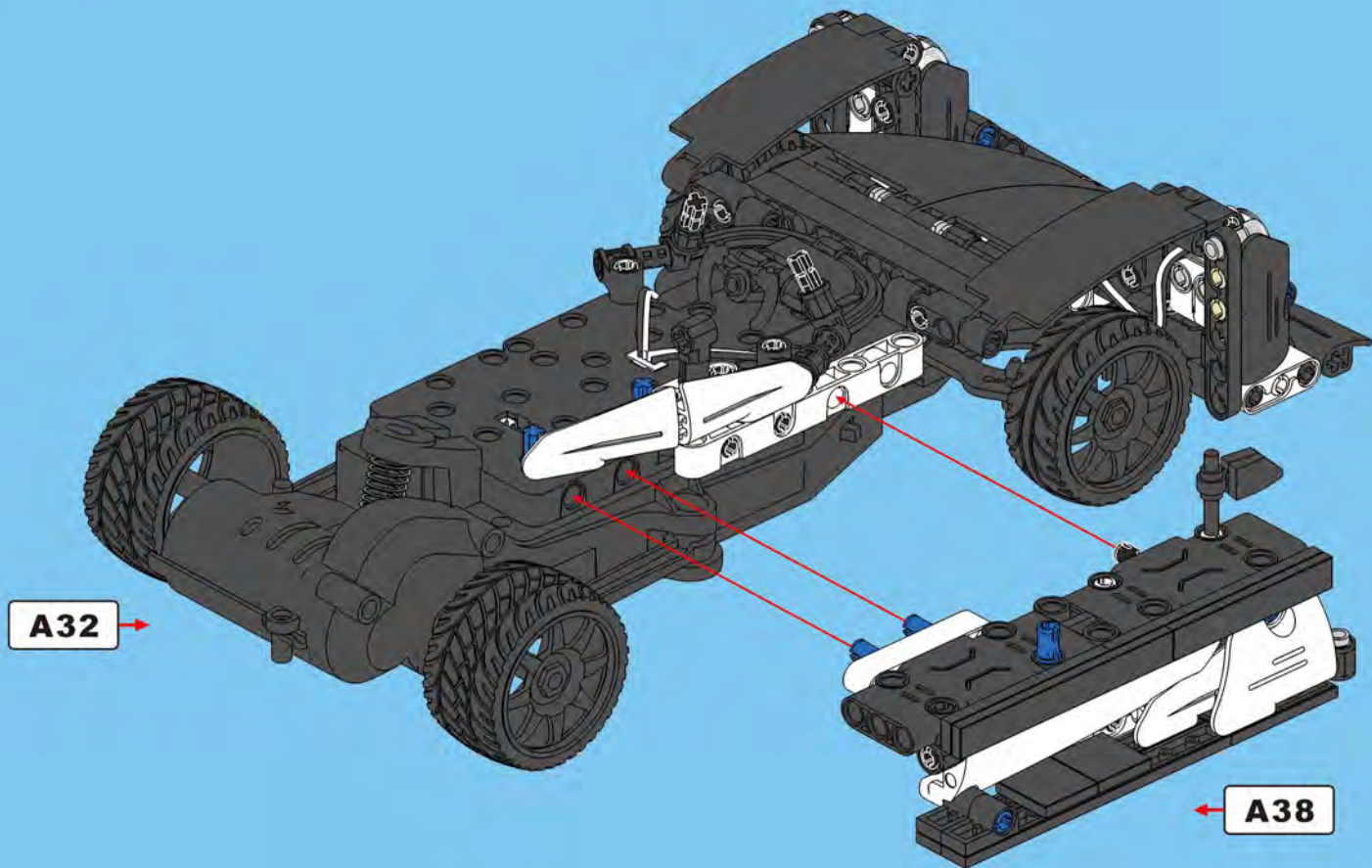




# A38



# A39

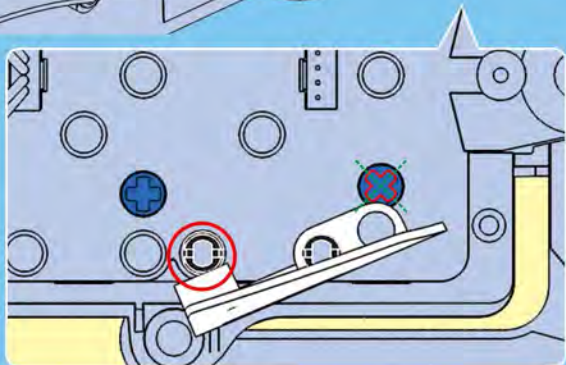
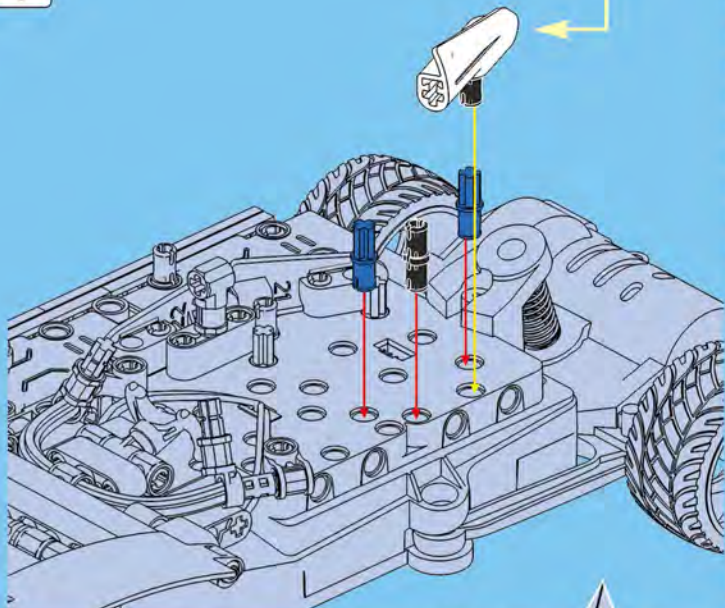
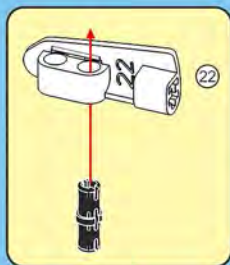


A32

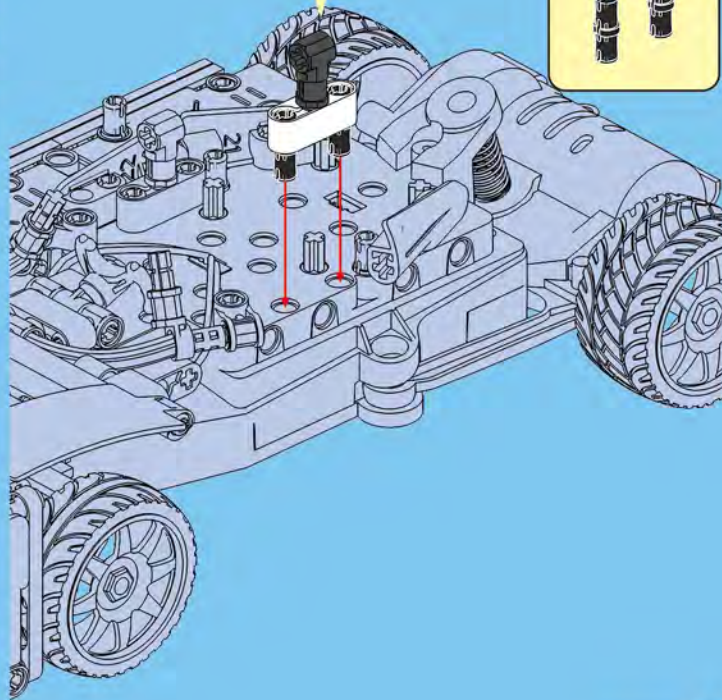
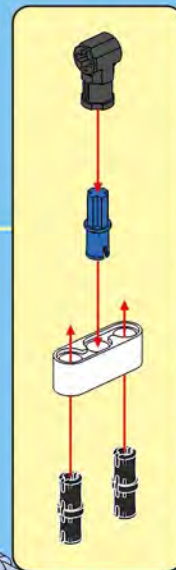
A38

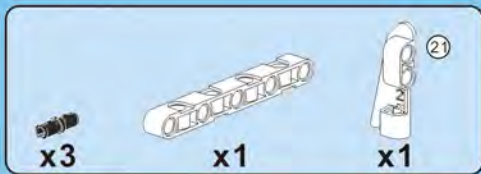


**A40**

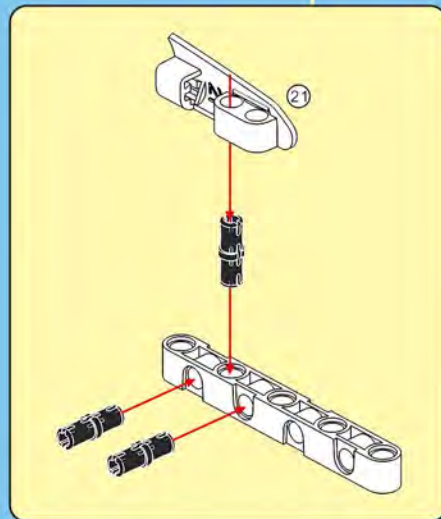
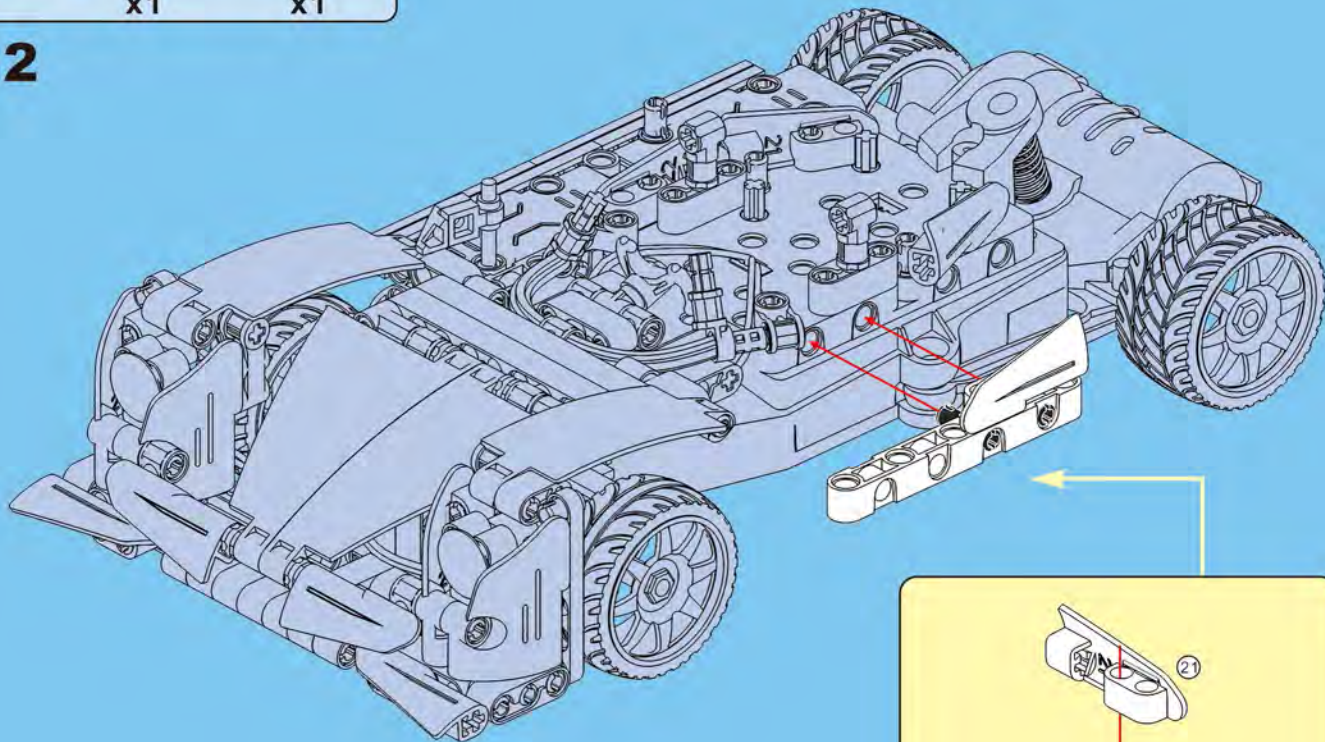


**A41**



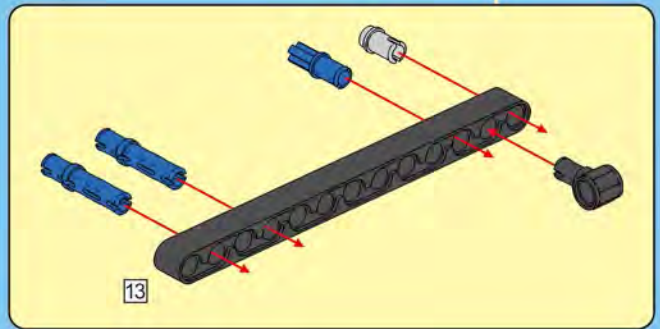
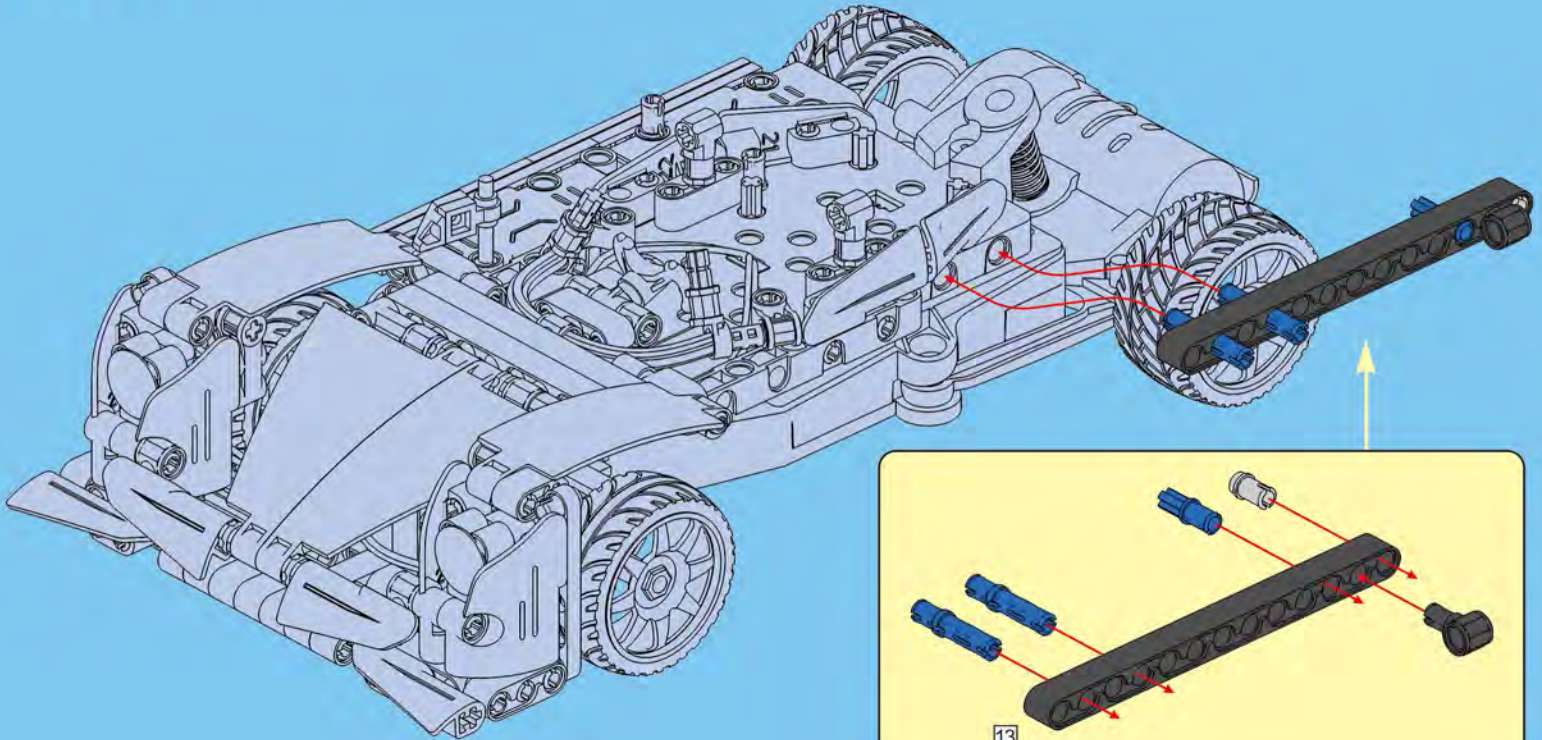


# A42



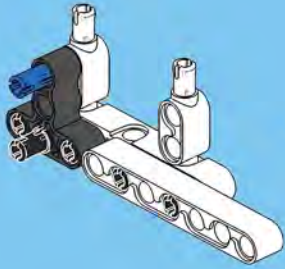


# A43





# A44



**1**

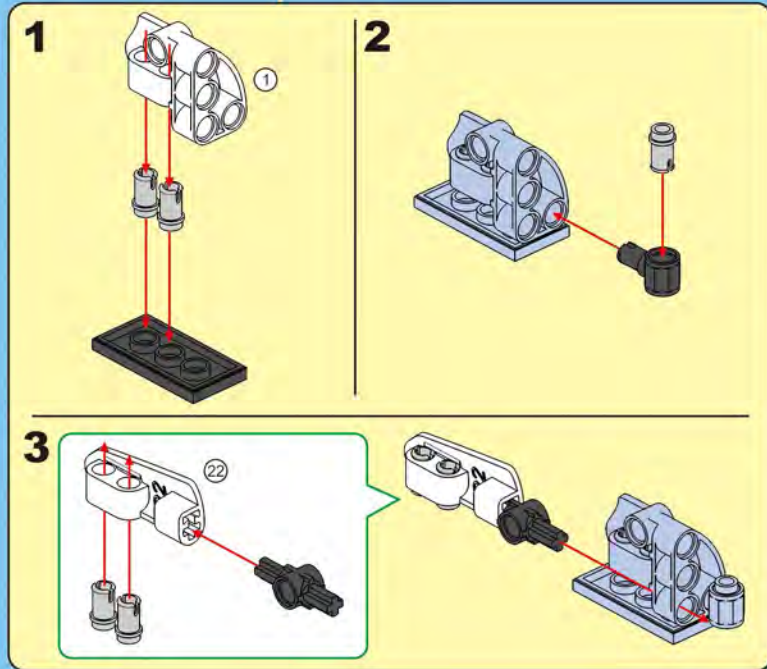
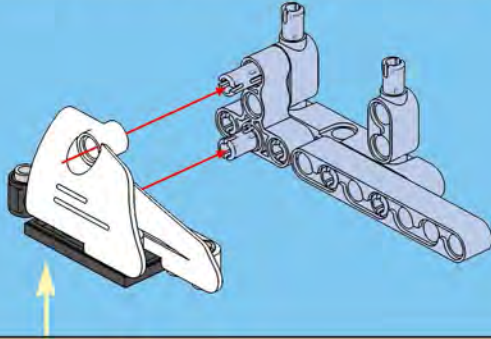
**2**

**3**

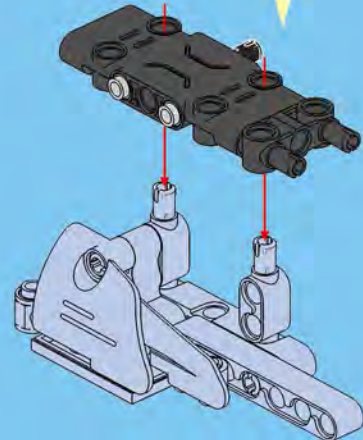
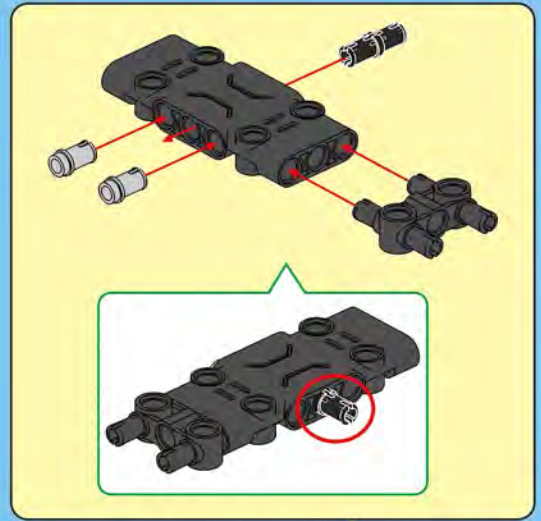


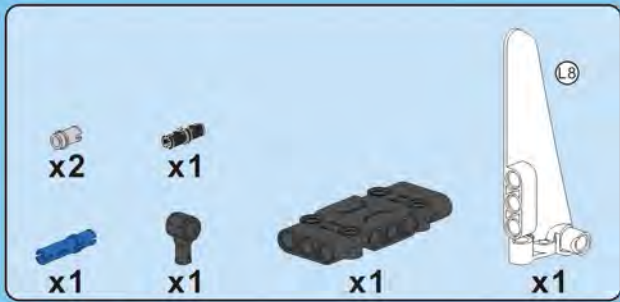


# A45

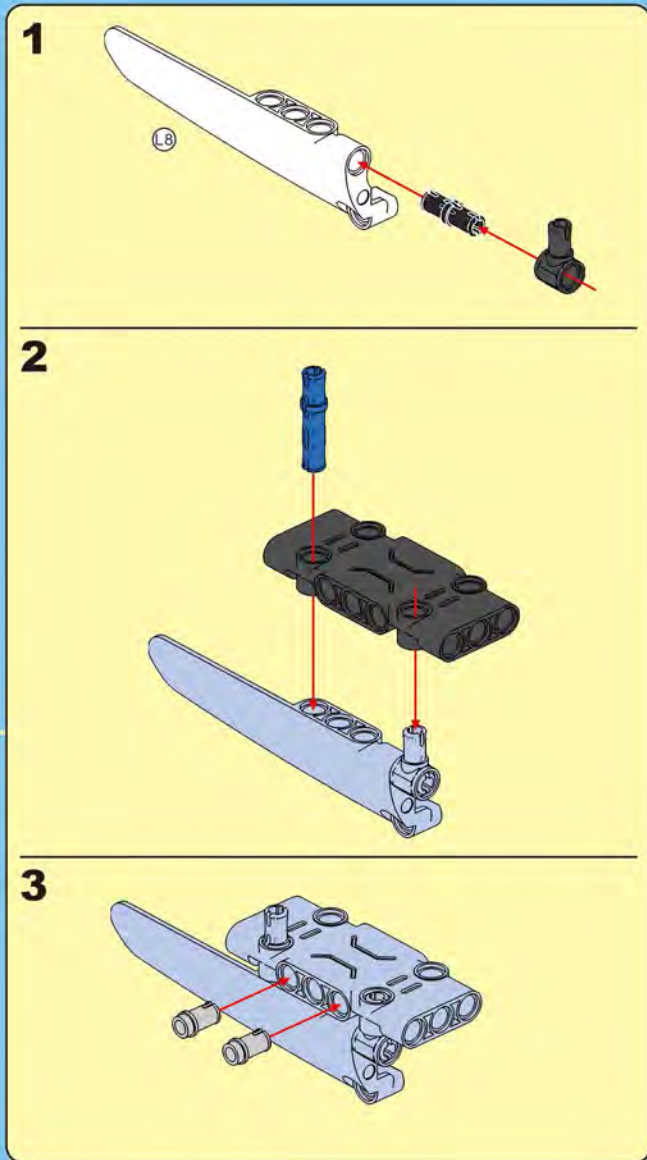
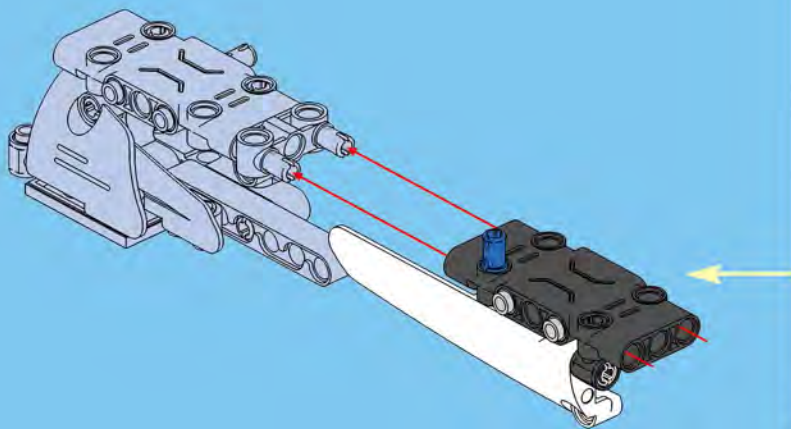


# A46





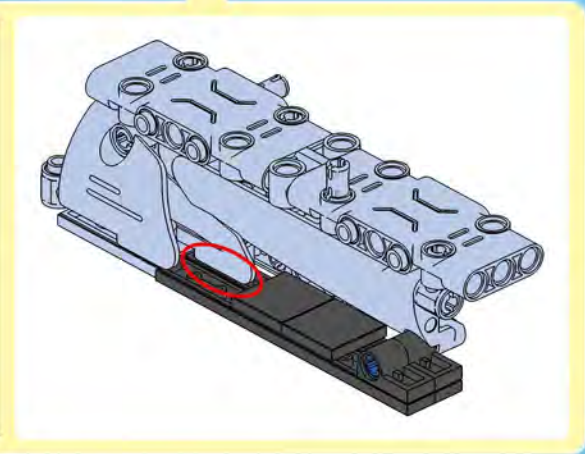
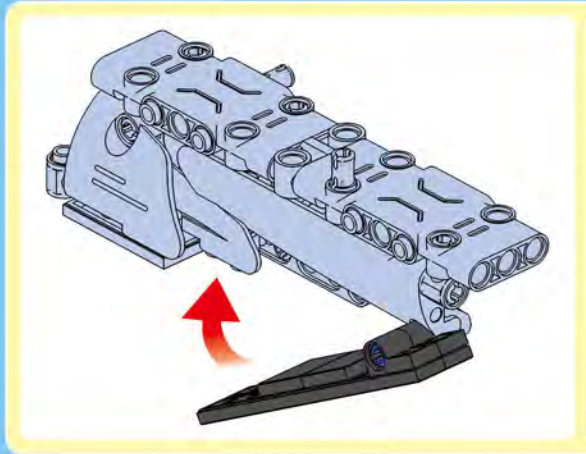
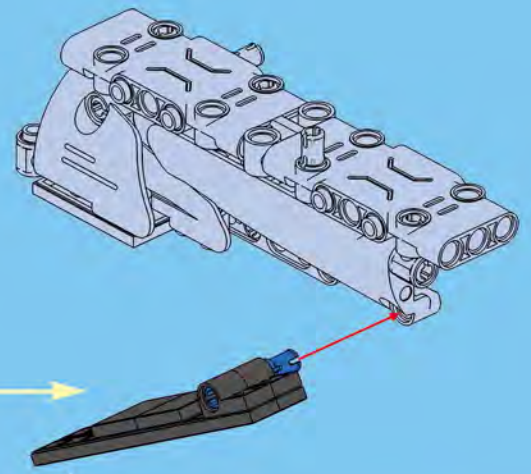
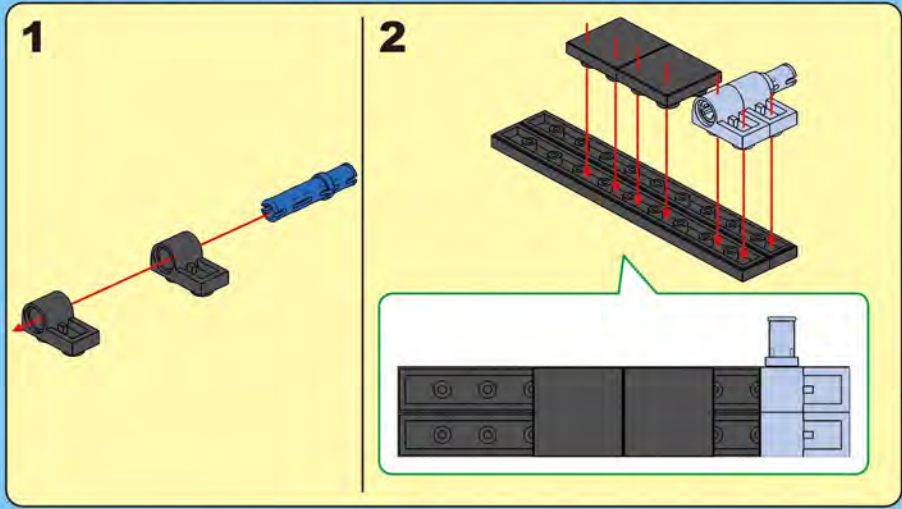
# A47





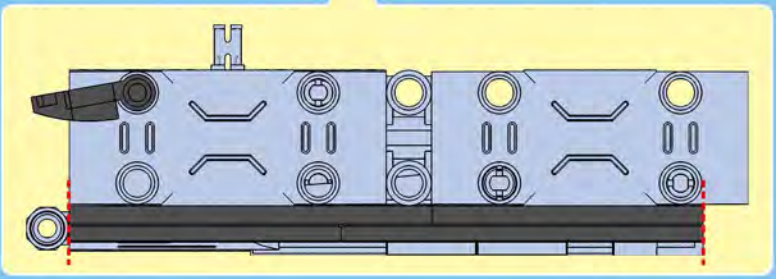
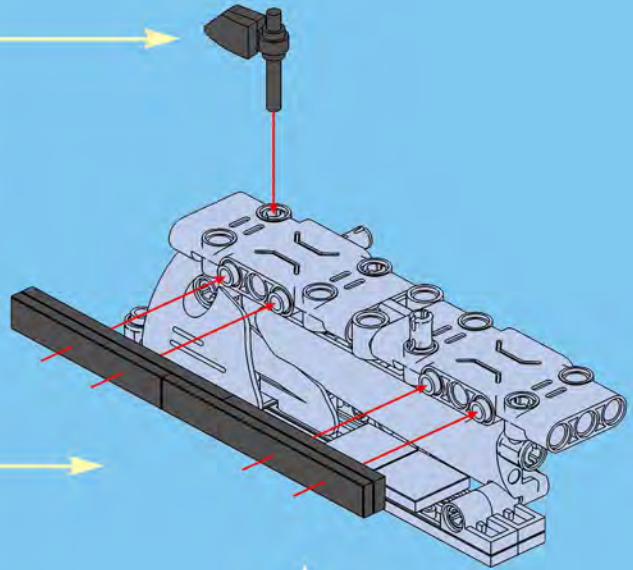
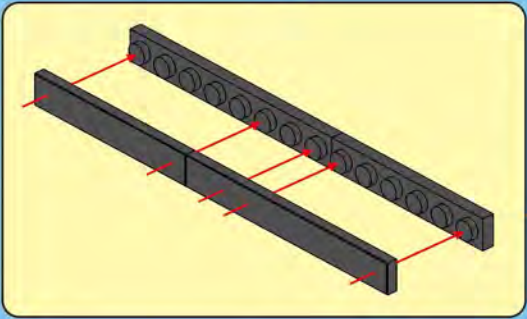
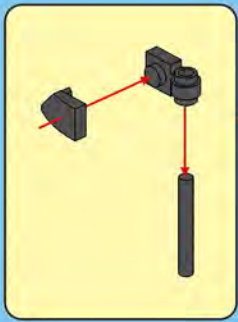


# A48

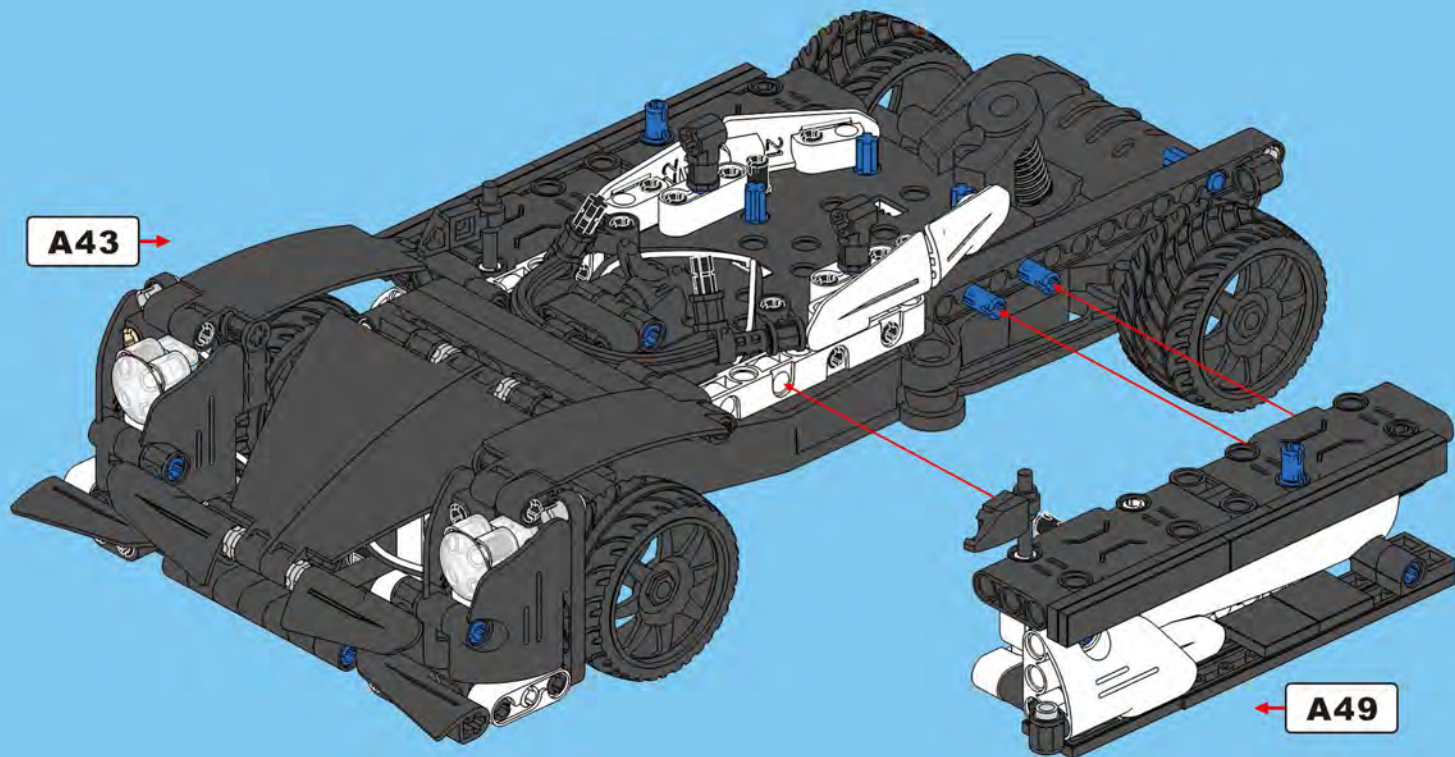


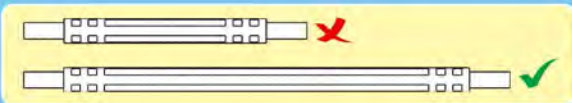
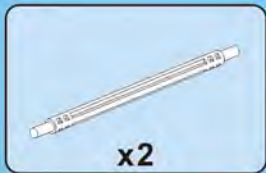


# A49

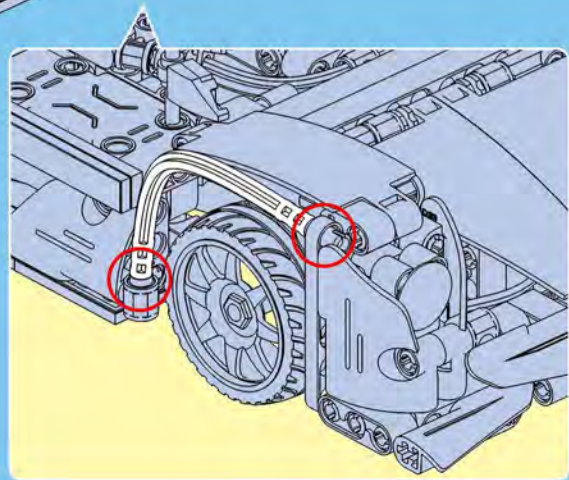
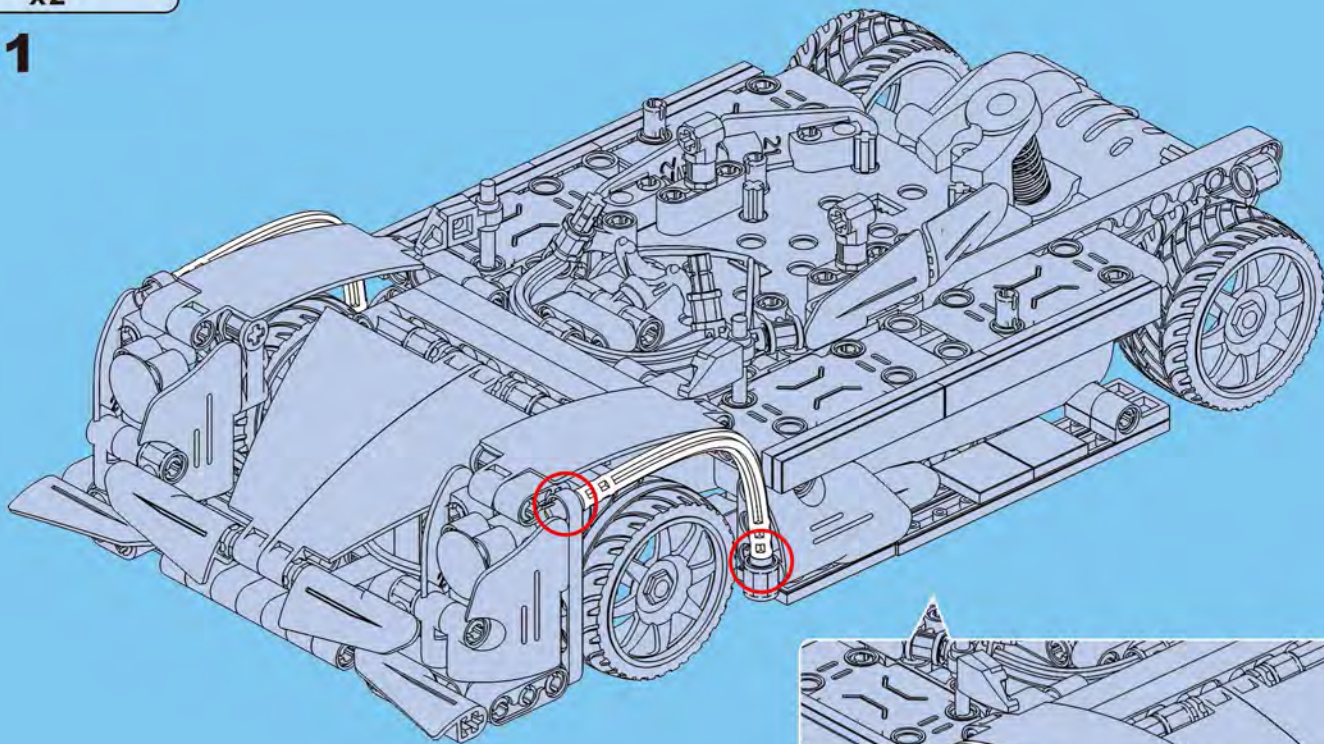


# A50



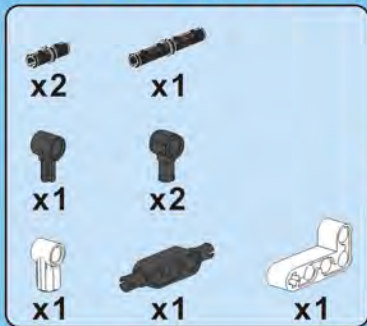
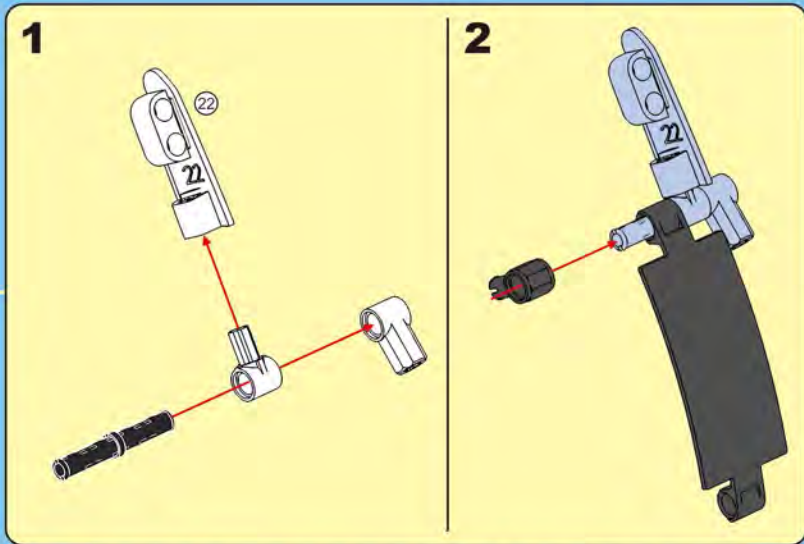


**A51**

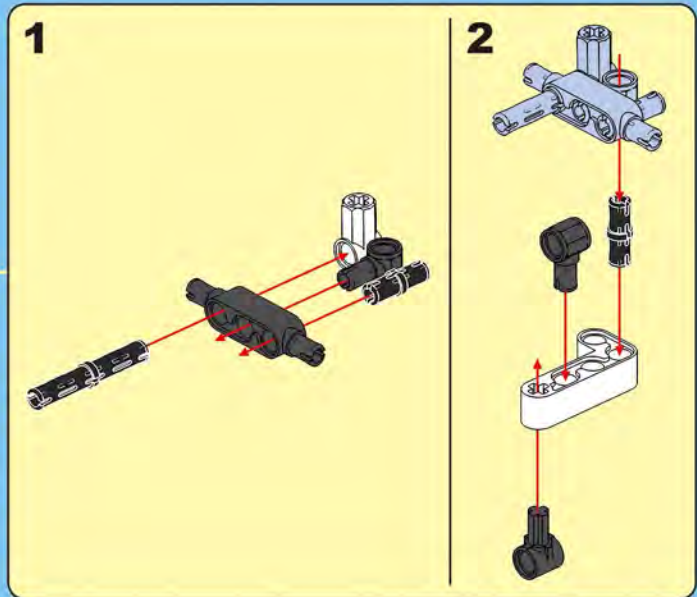
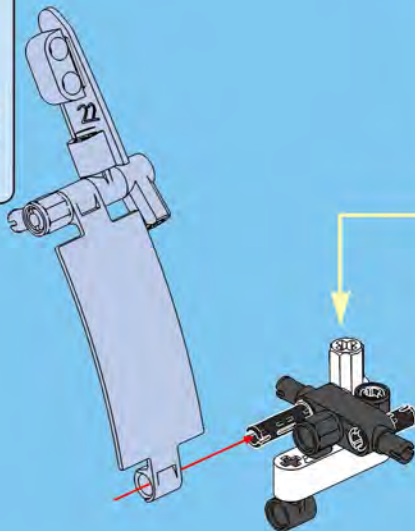




# A52

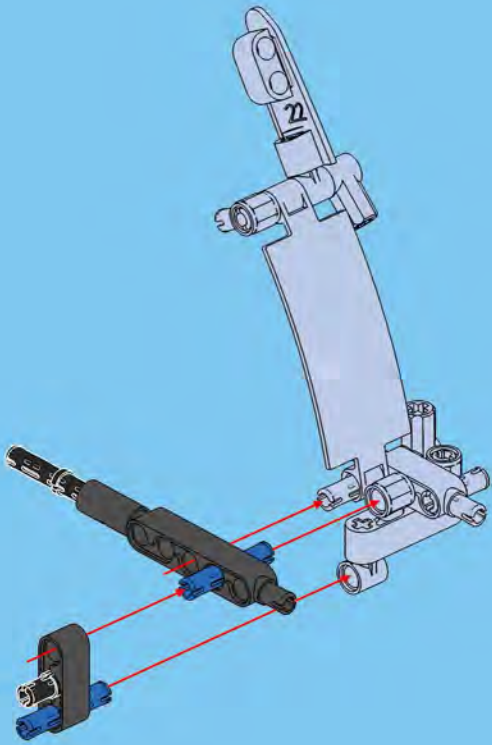
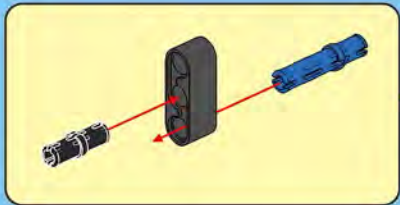
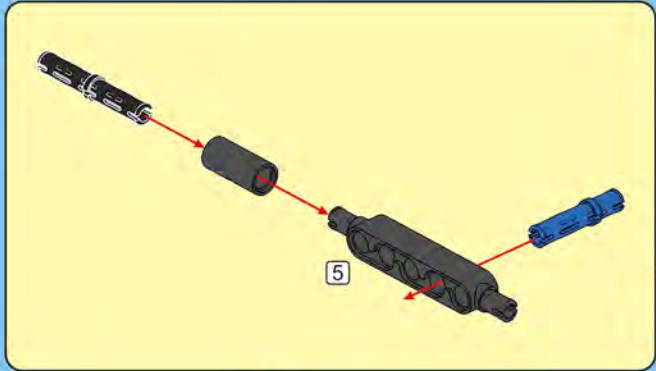


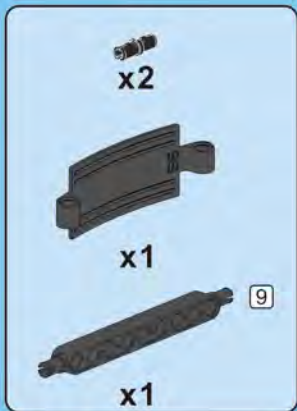
# A53



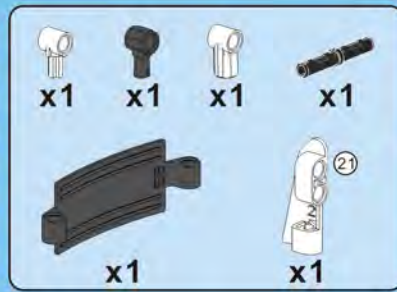
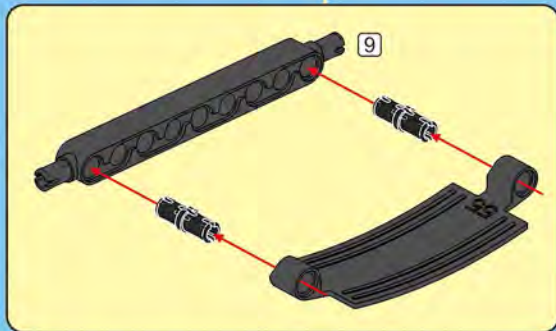
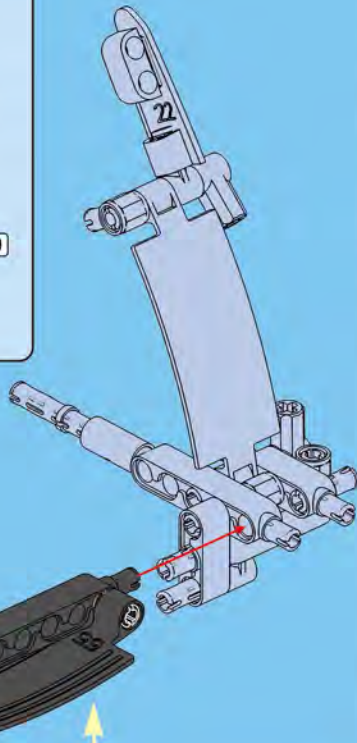


# A54

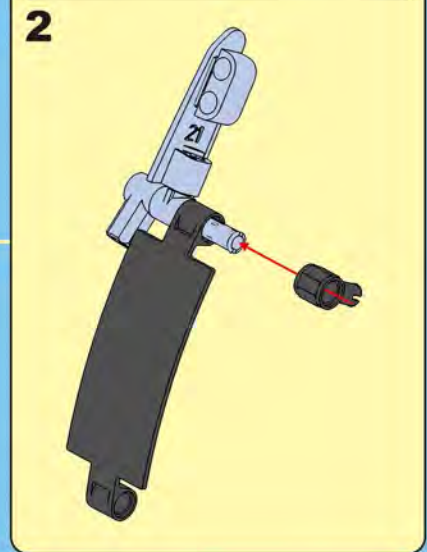
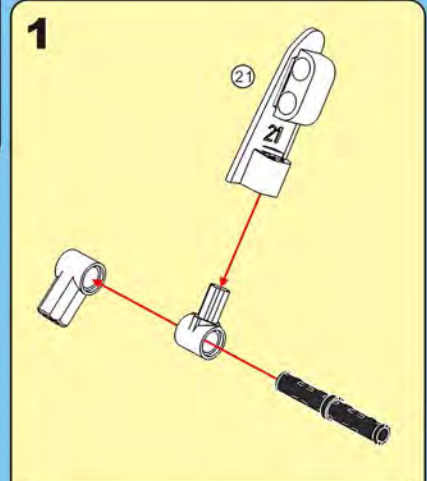


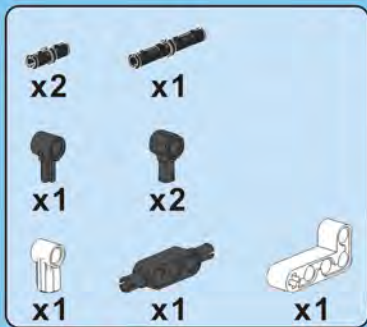


**A55**

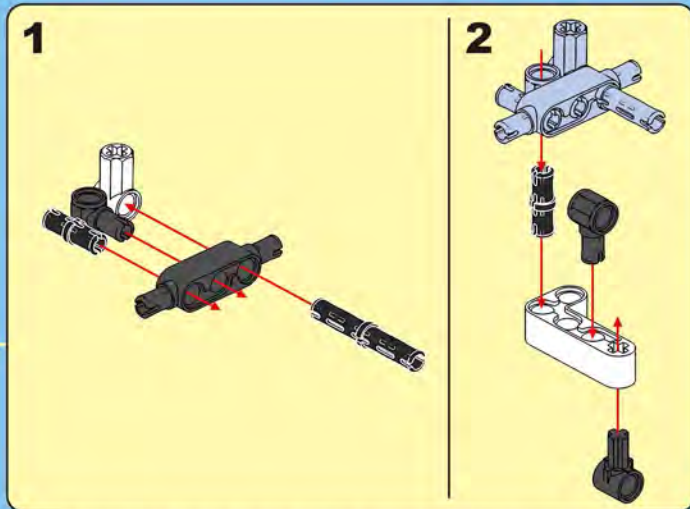
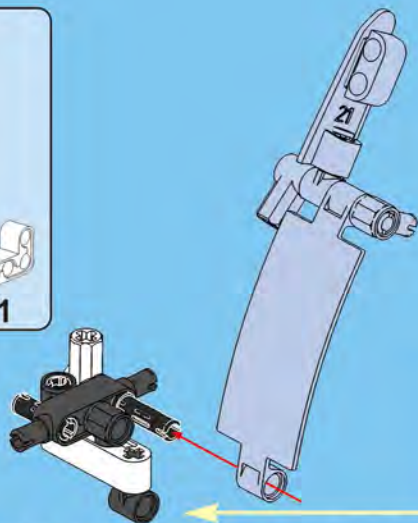


**A56**

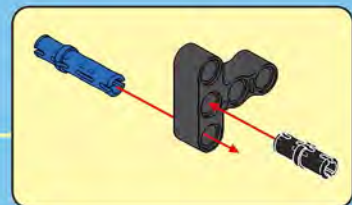
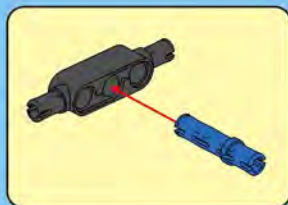
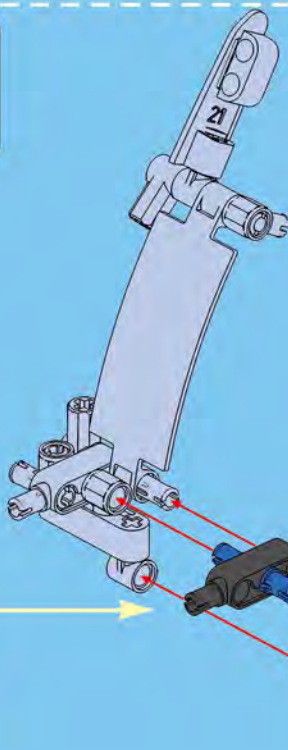




## A57

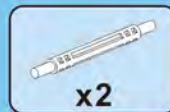
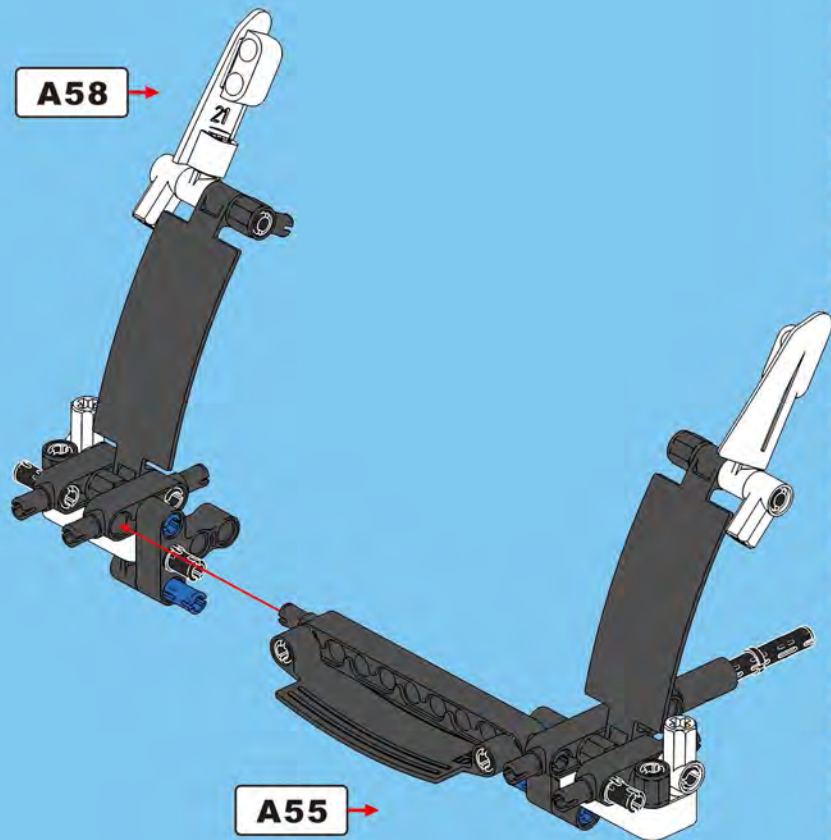


## A58

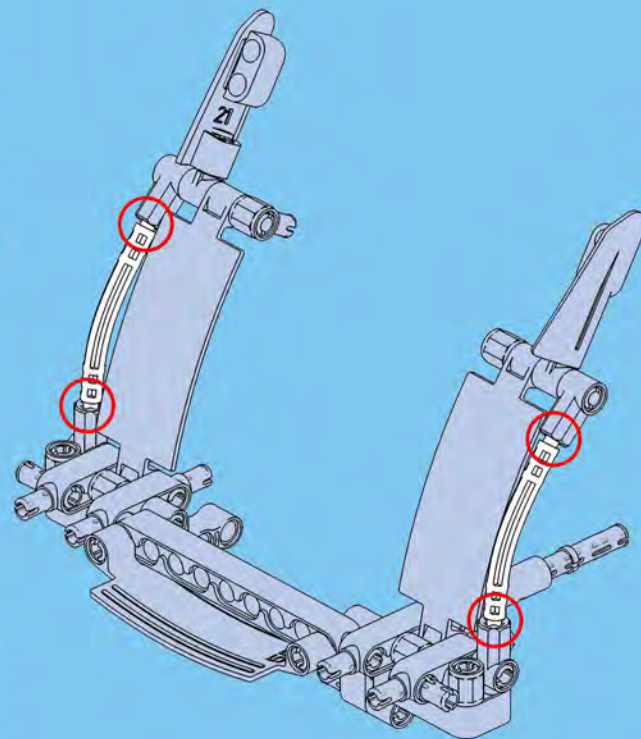


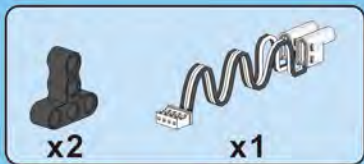


# A59

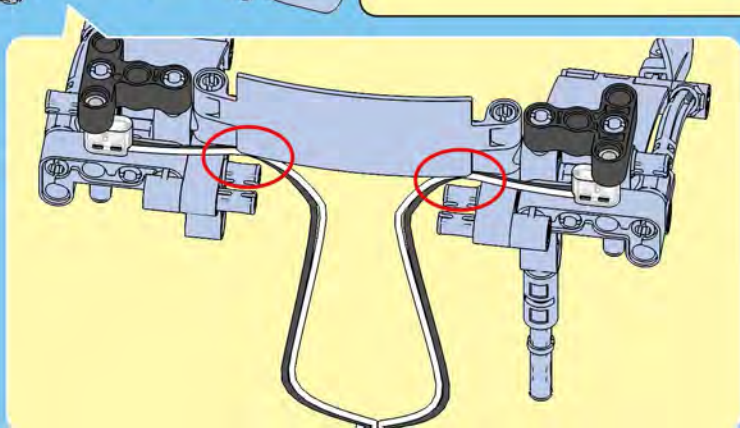
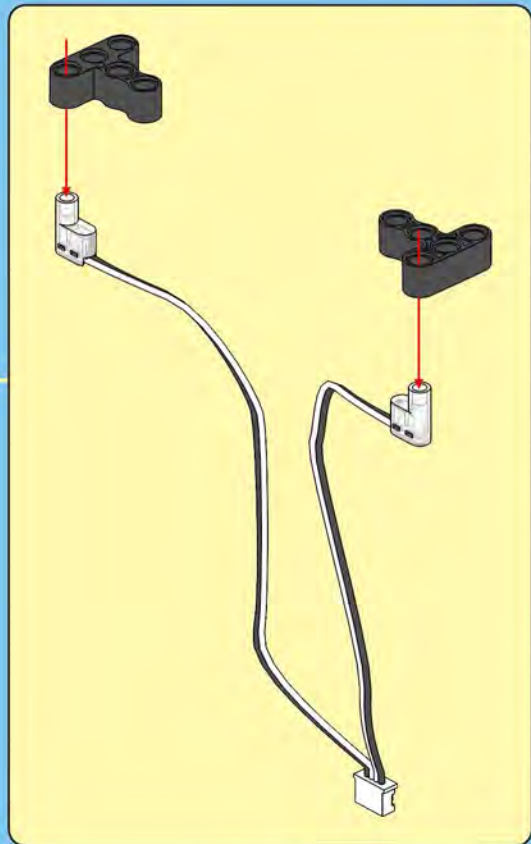
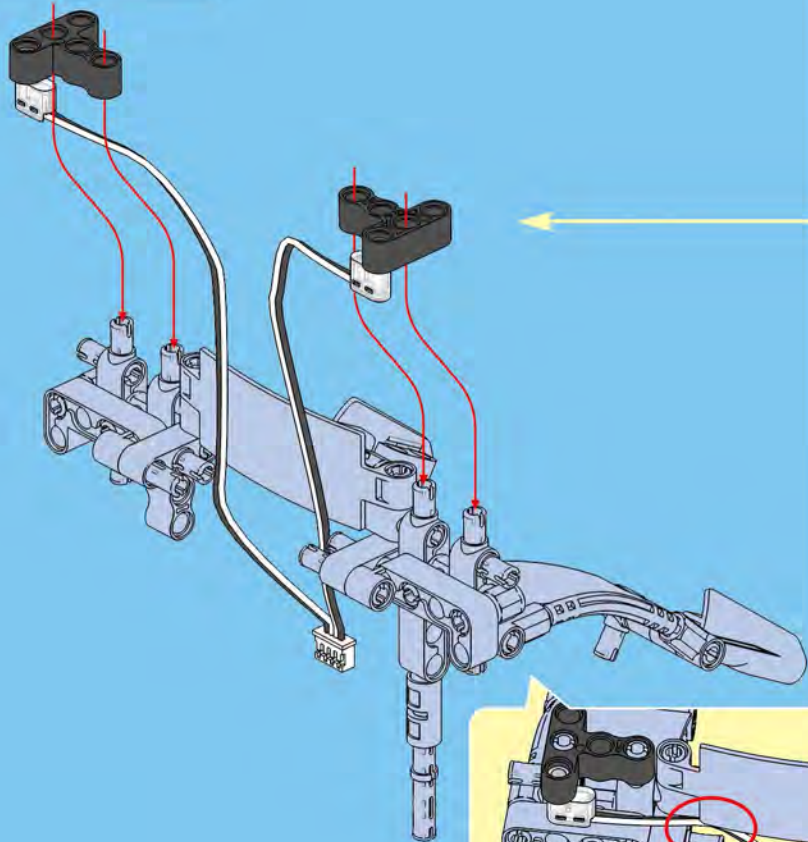


# A60



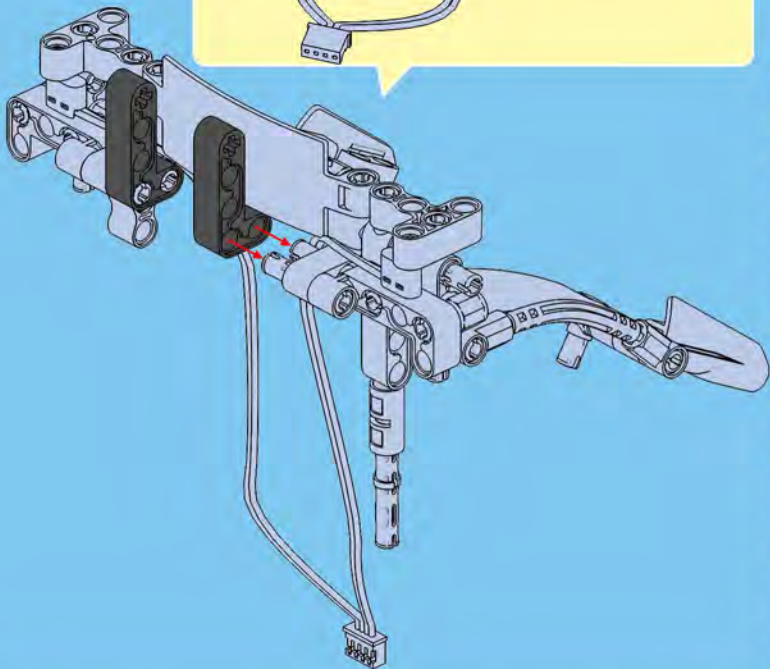
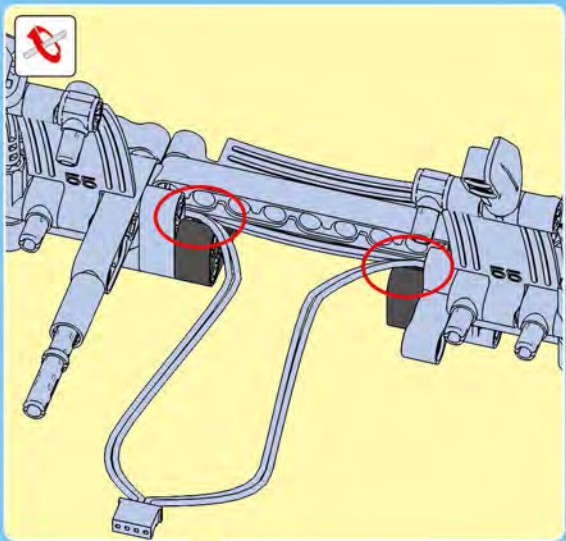


**A61**

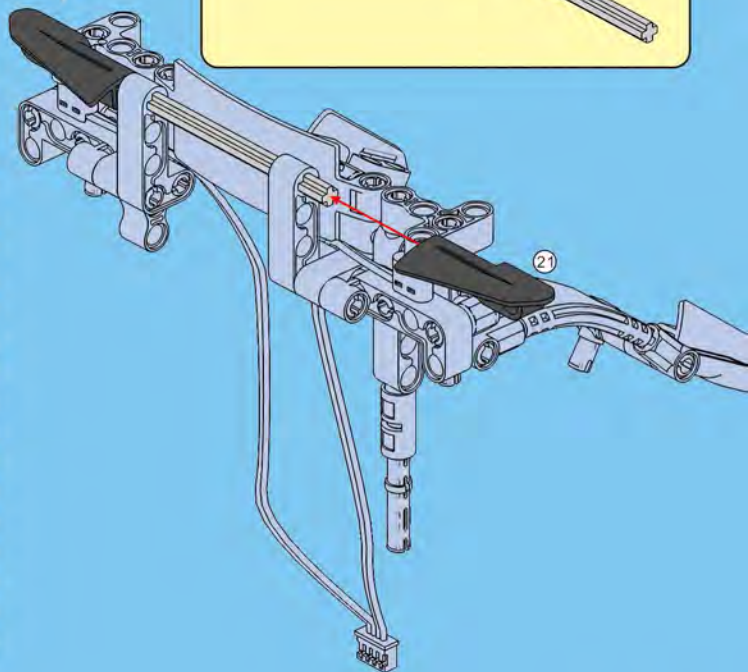
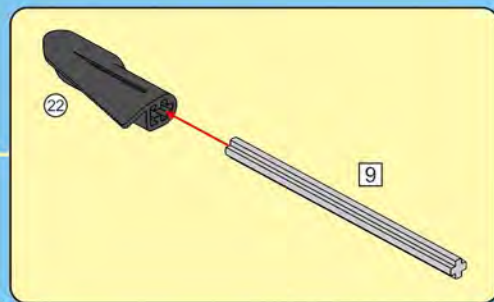




**A62**

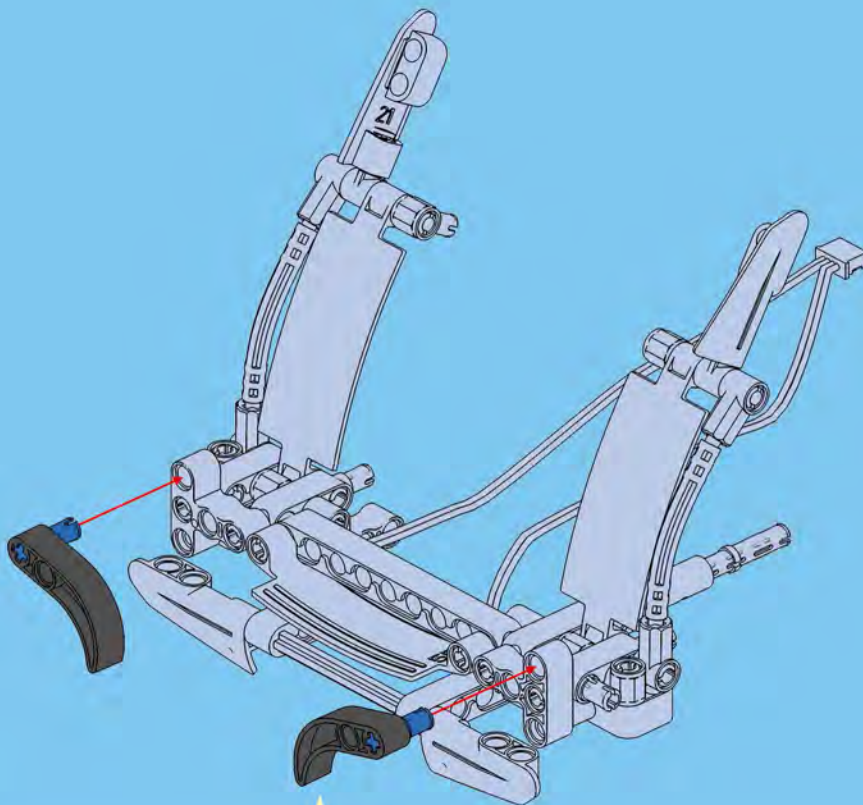
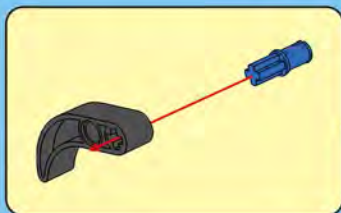


**A63**

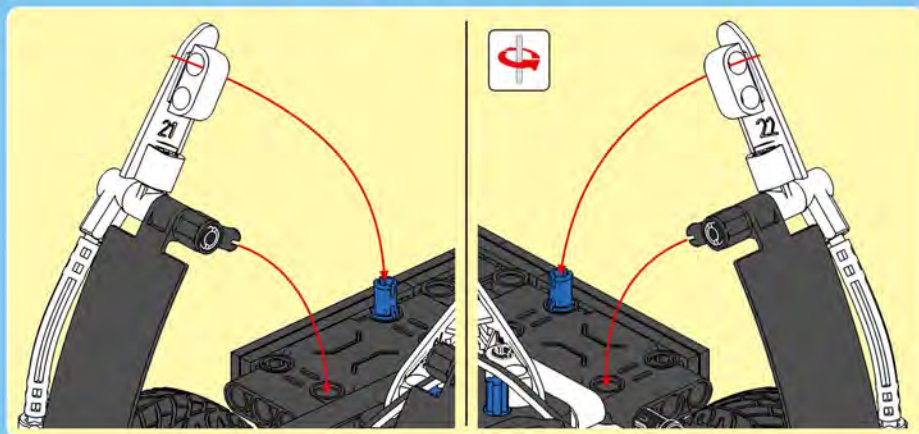
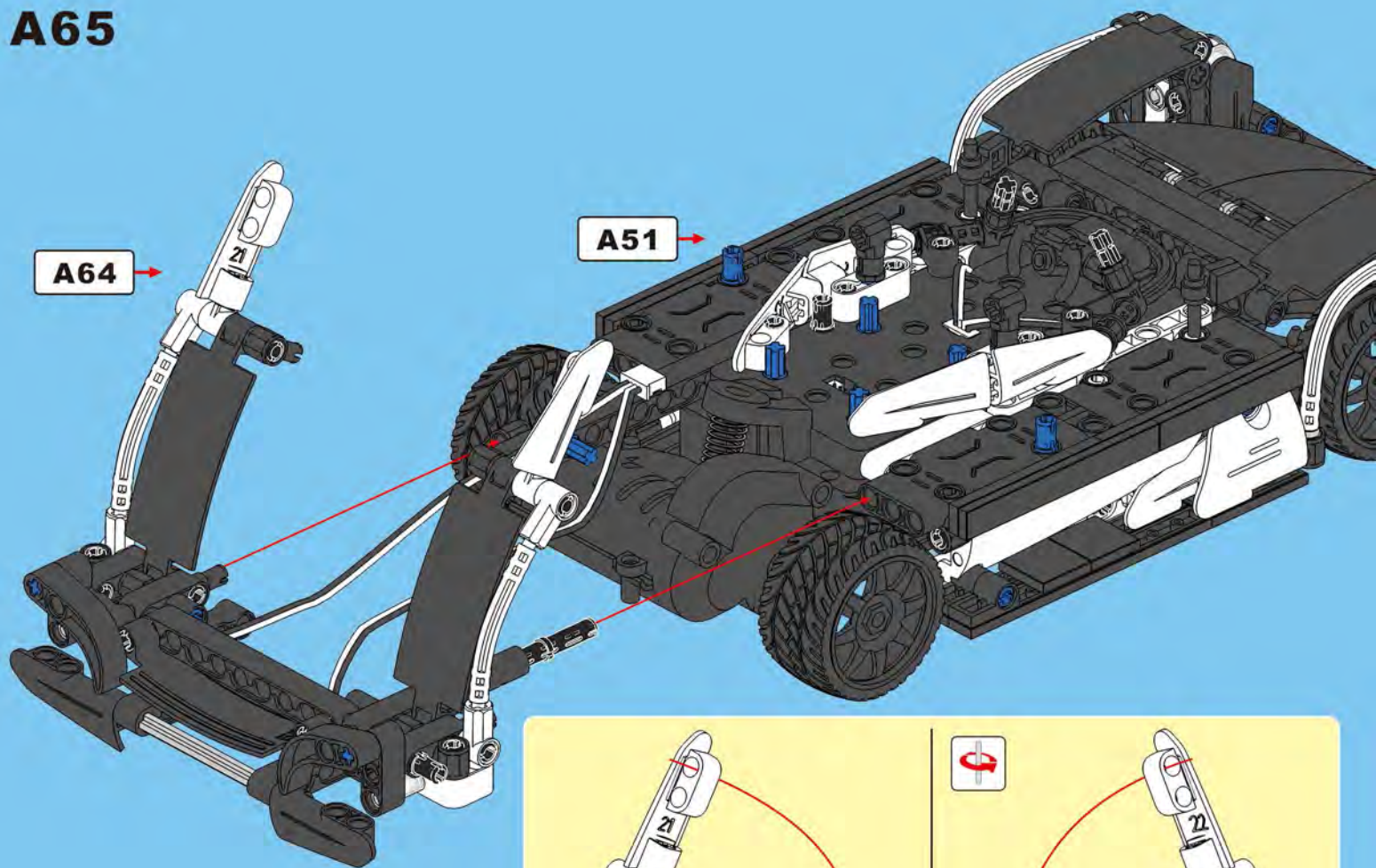




# A64

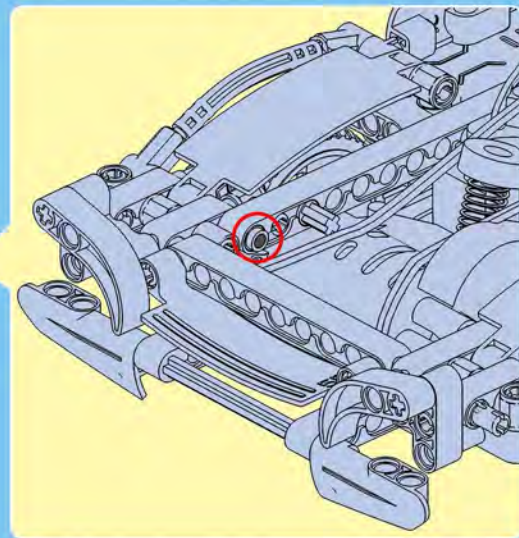
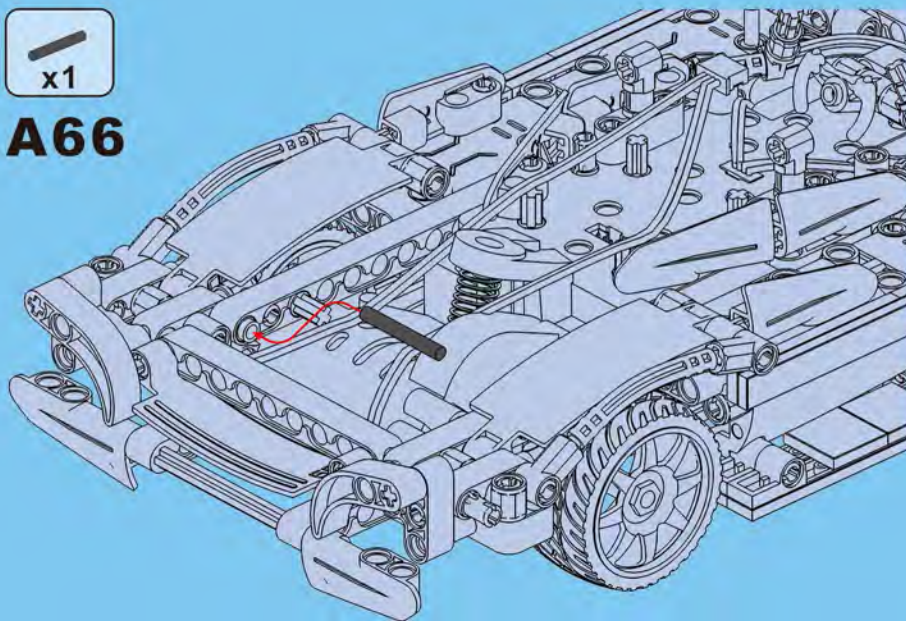


# A65

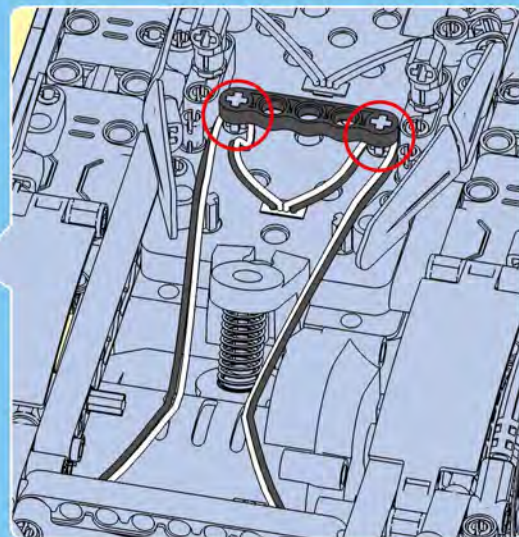
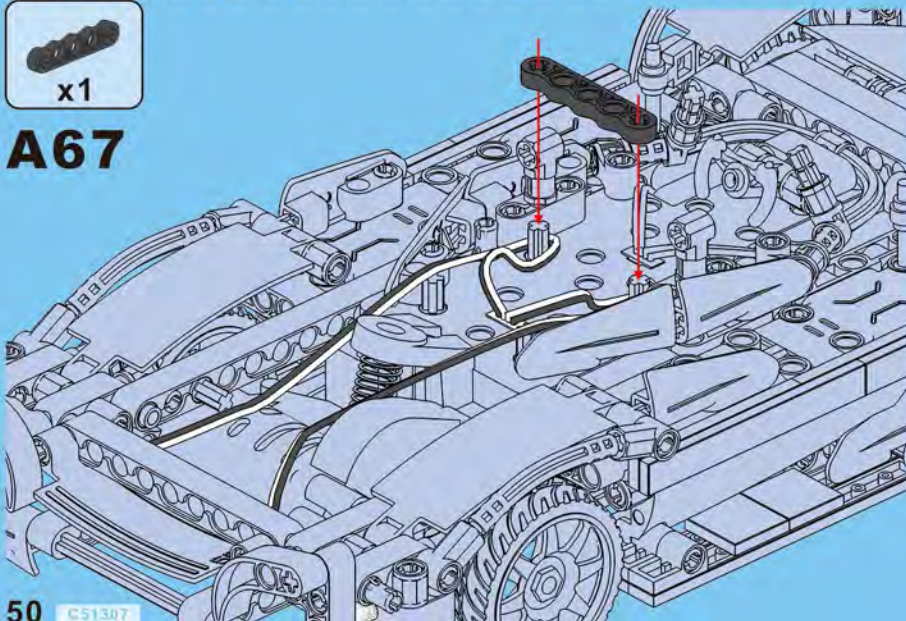




**A66**

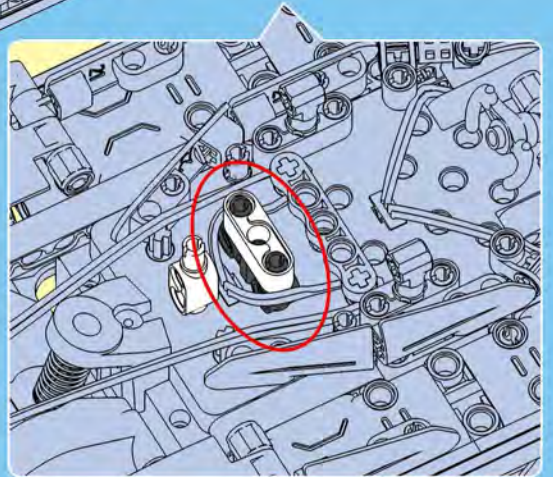
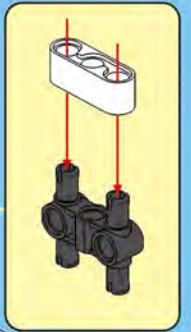
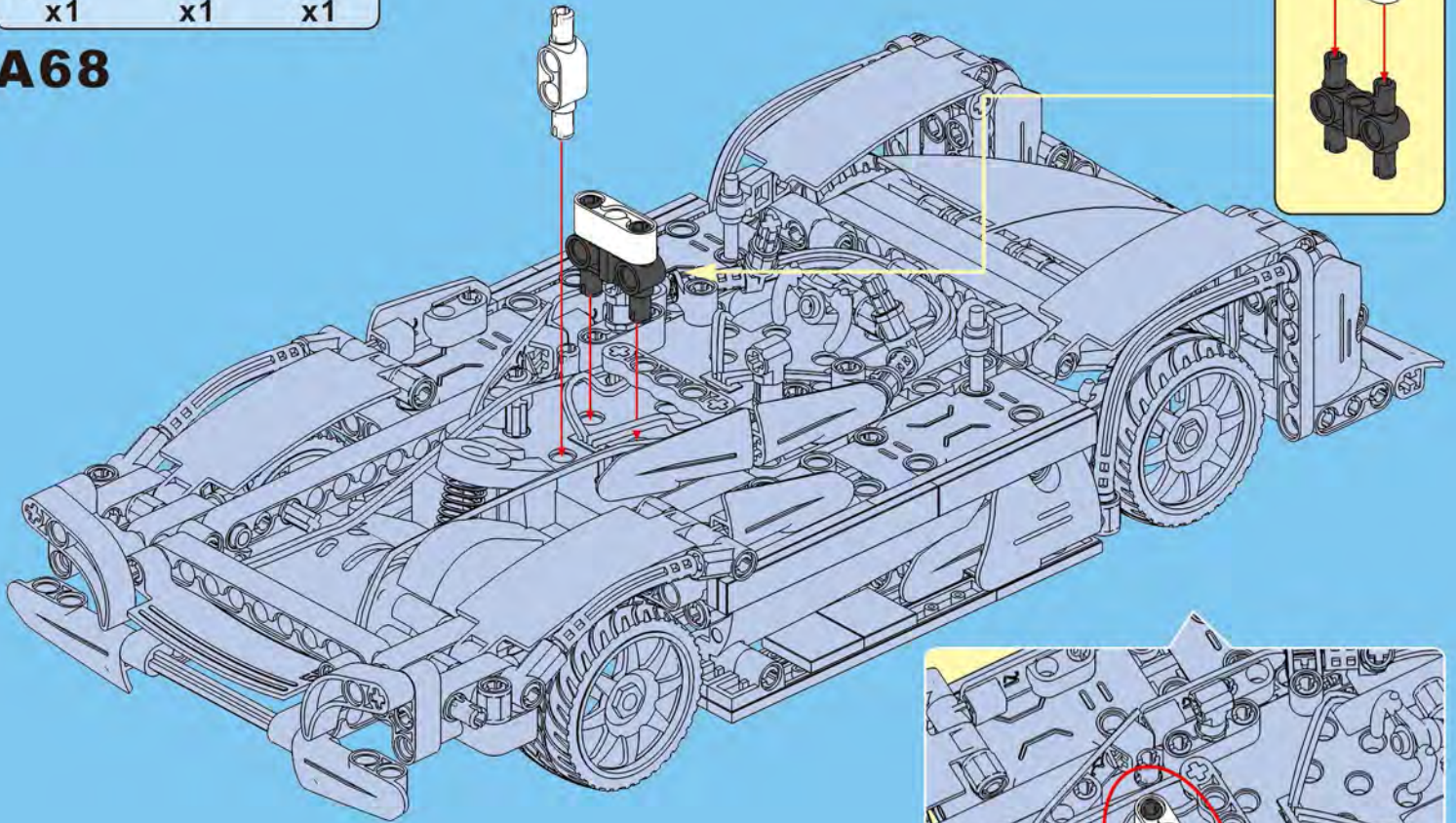


**A67**



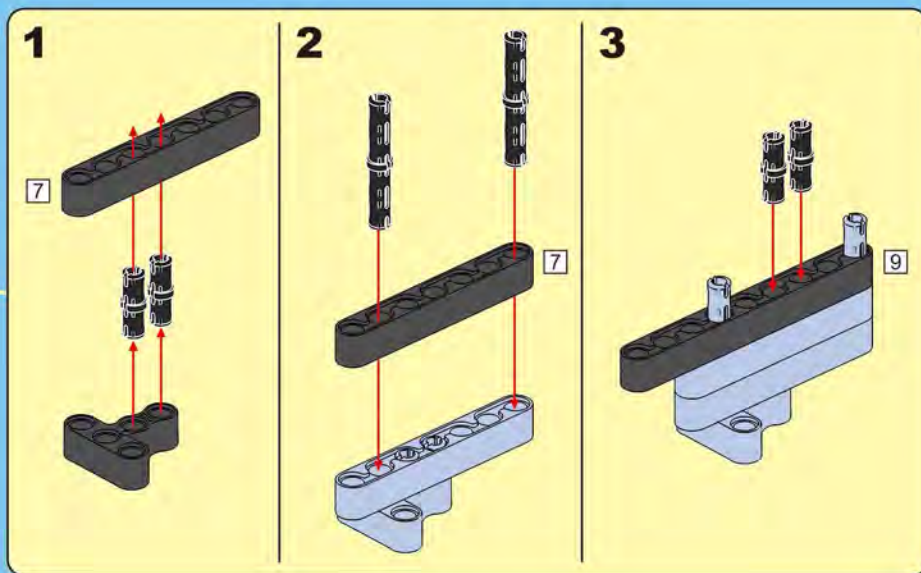
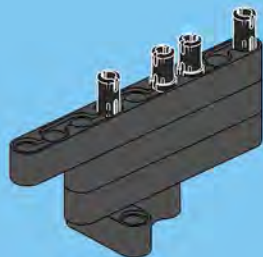


**A68**





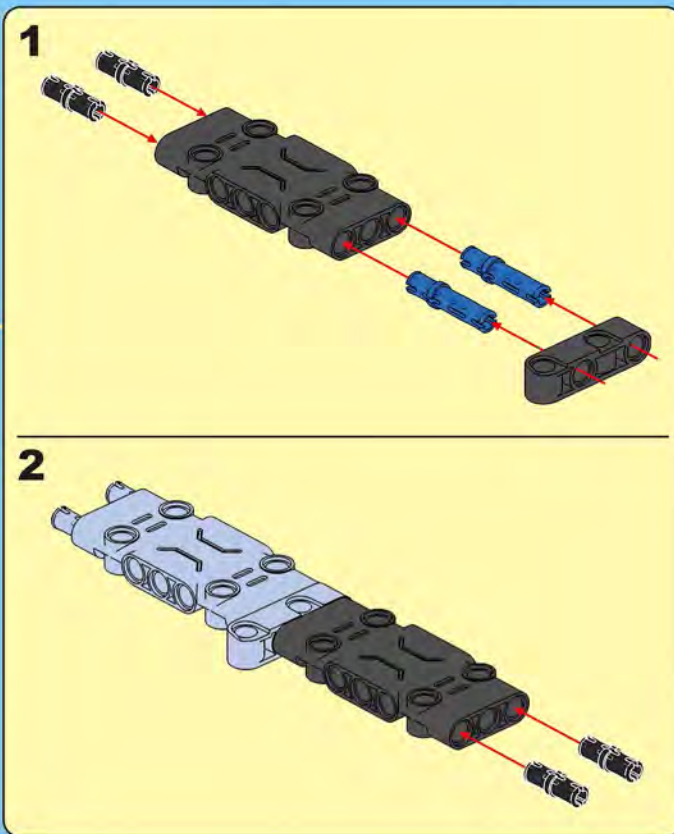
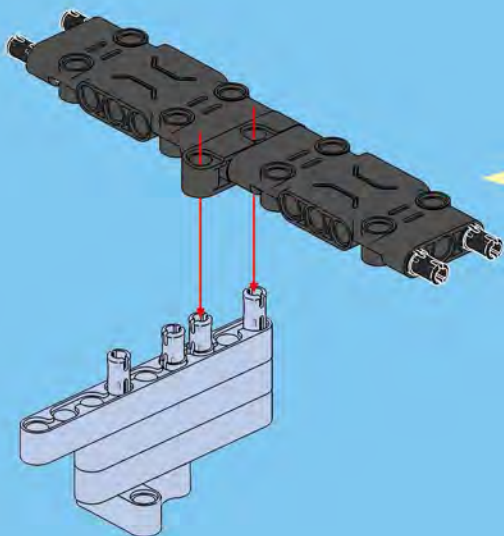
# A69





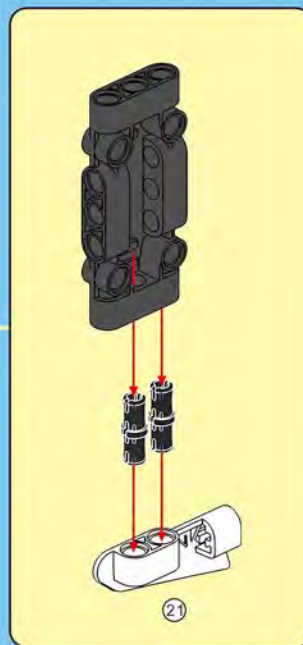
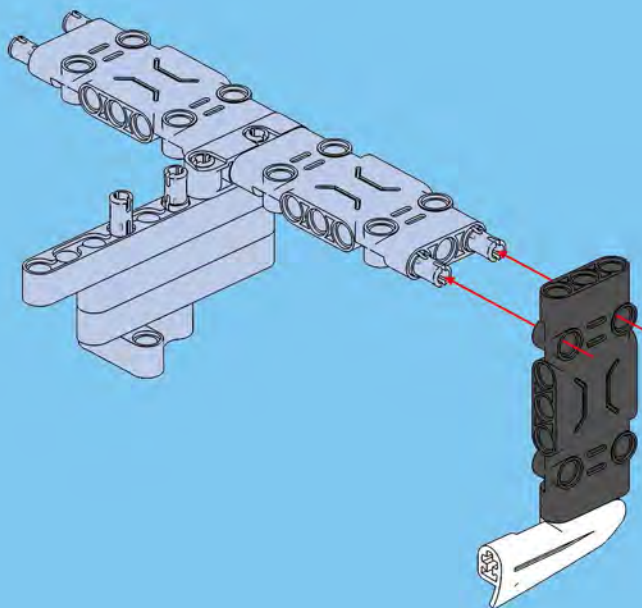


# A70

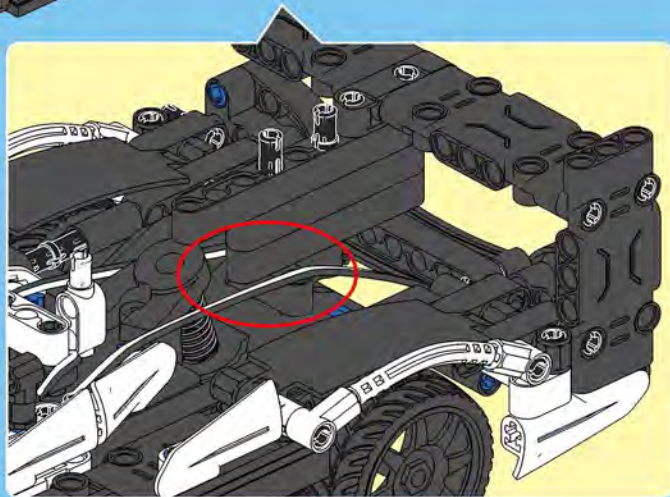
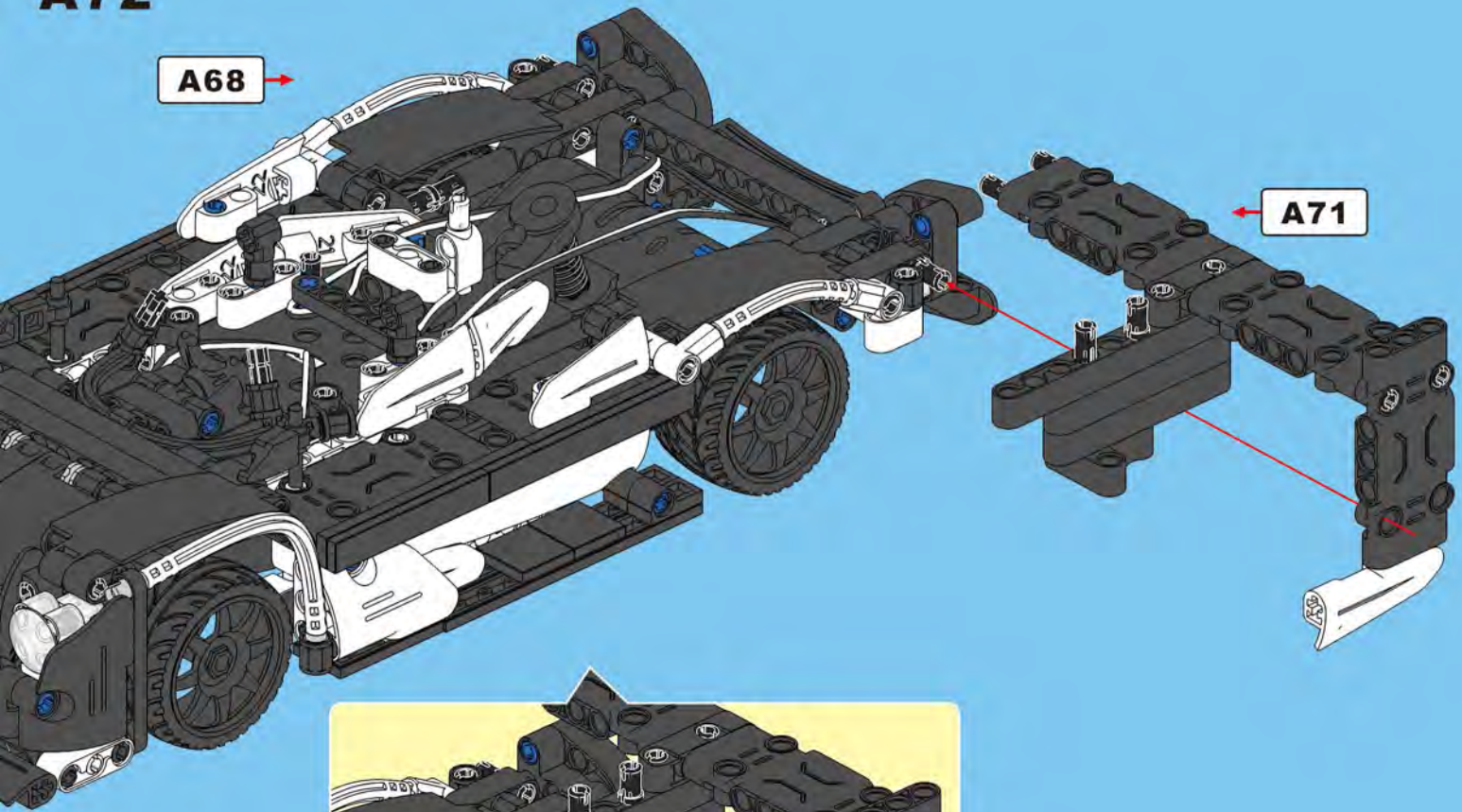




# A71

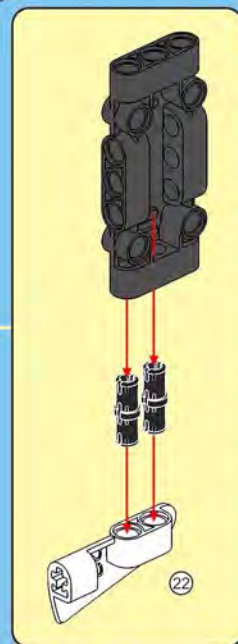
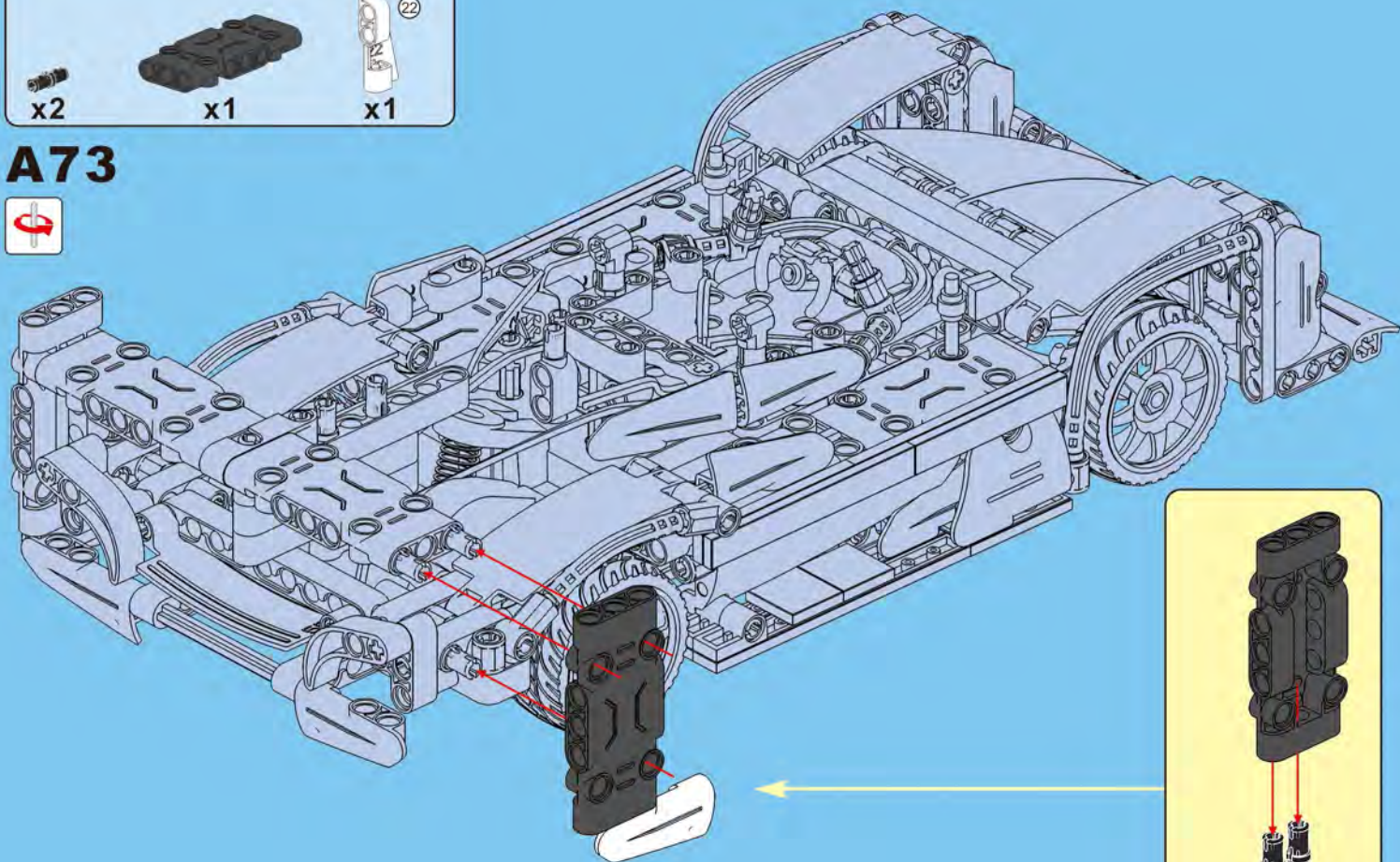


# A72





**A73**

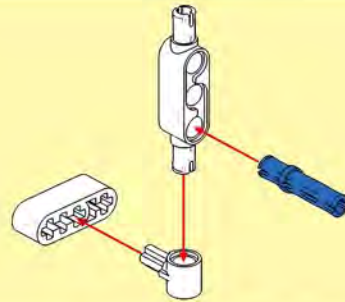




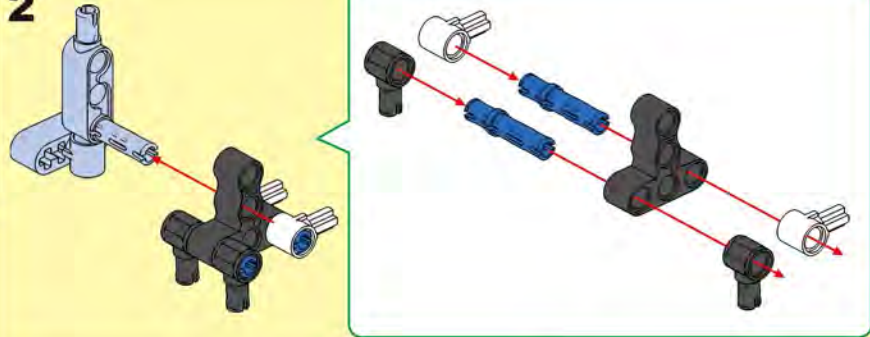
# A74



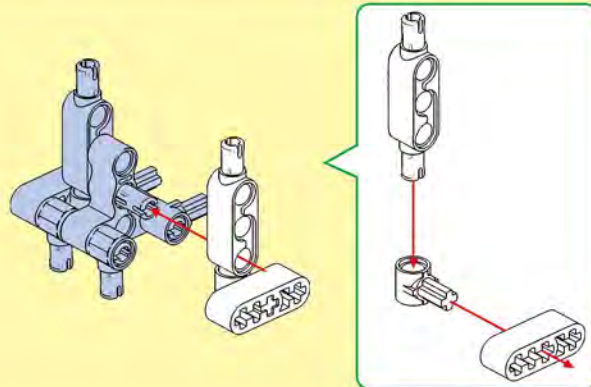
1

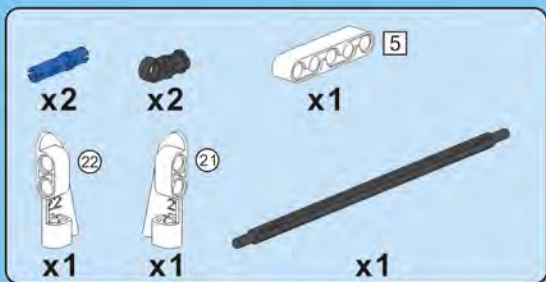


2

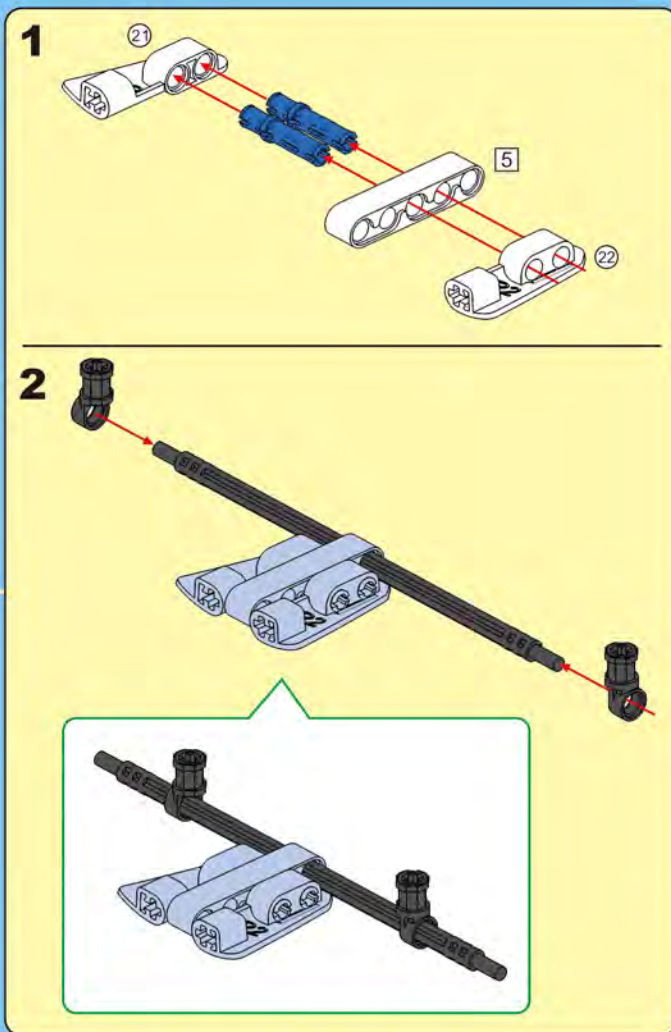
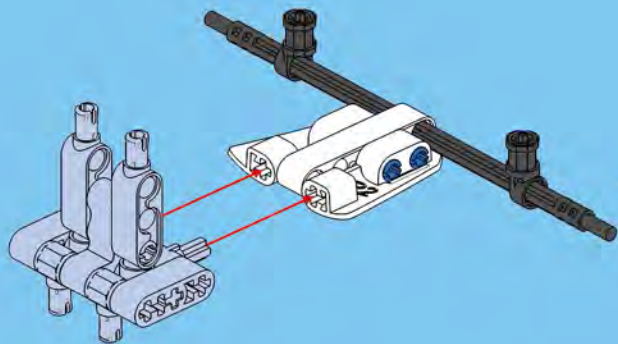


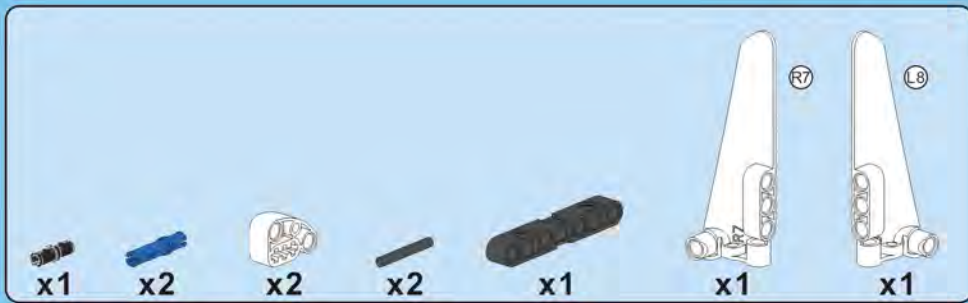
3



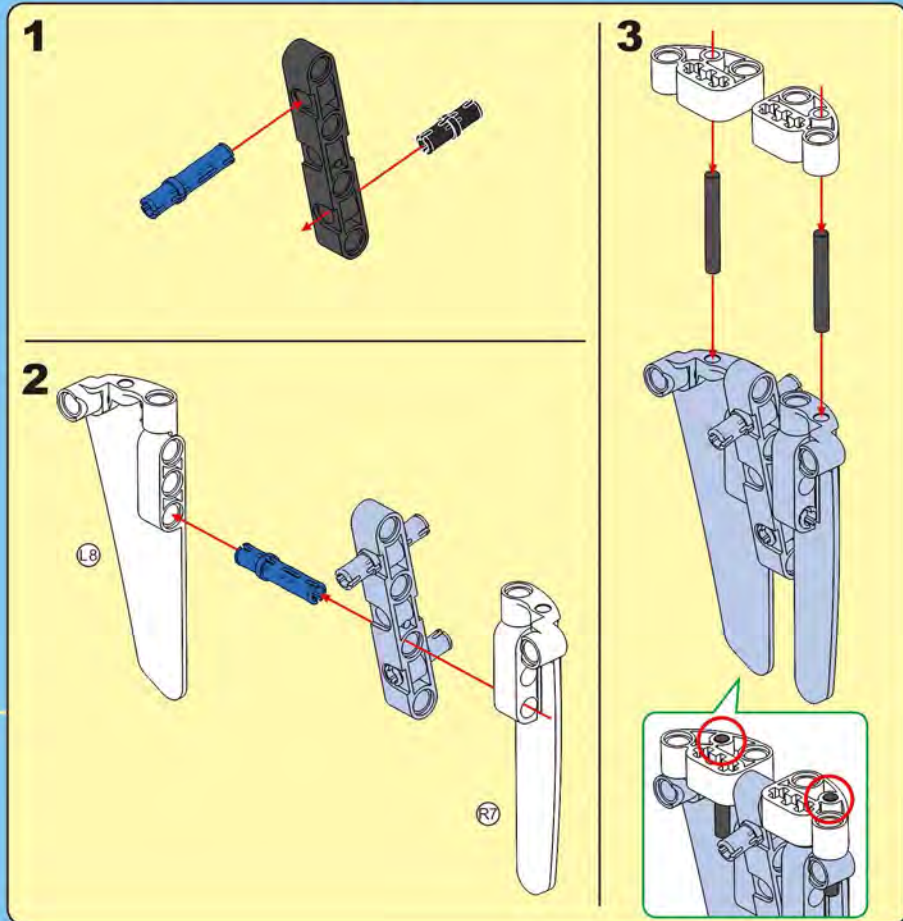
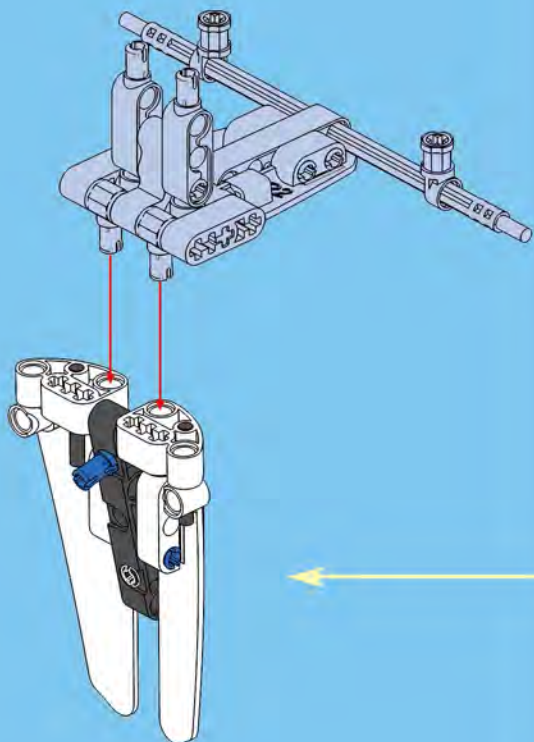


# A75

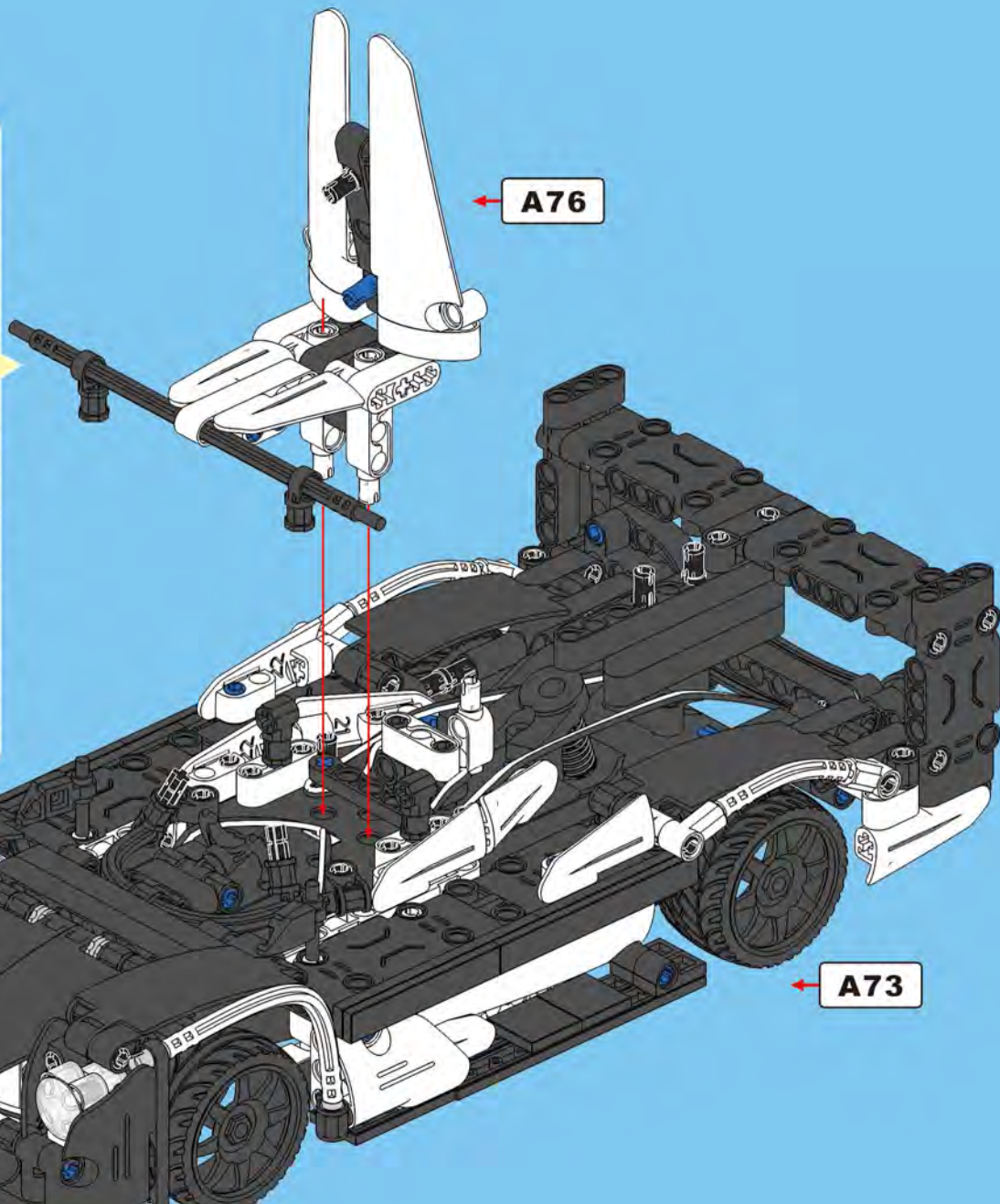
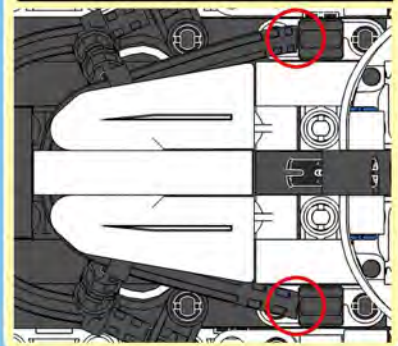
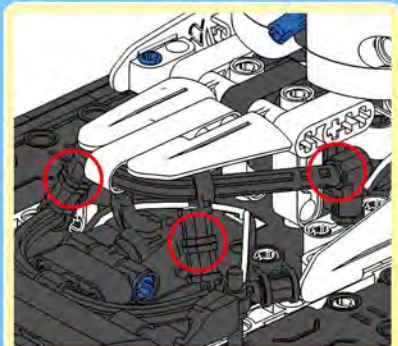




# A76

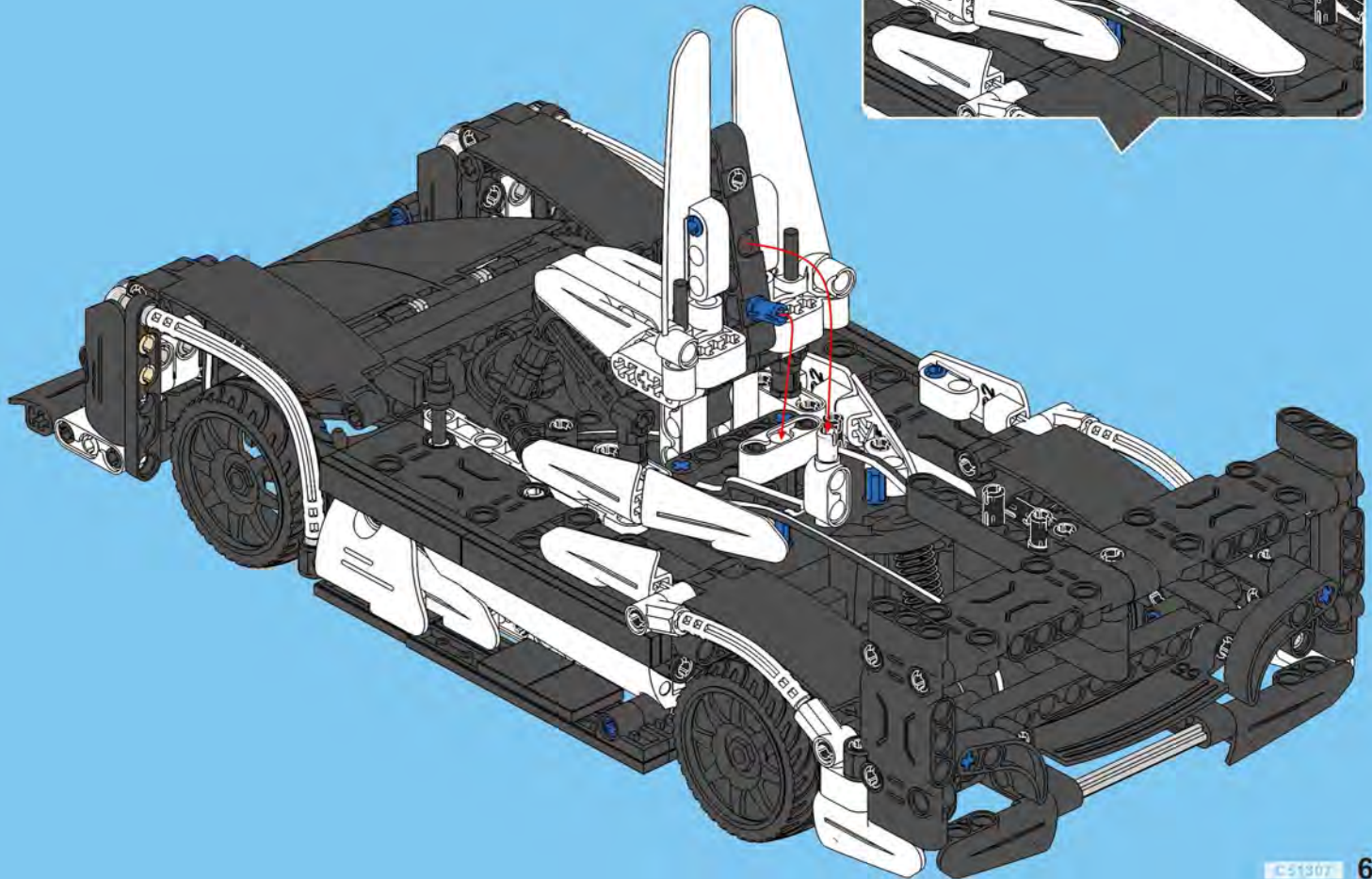
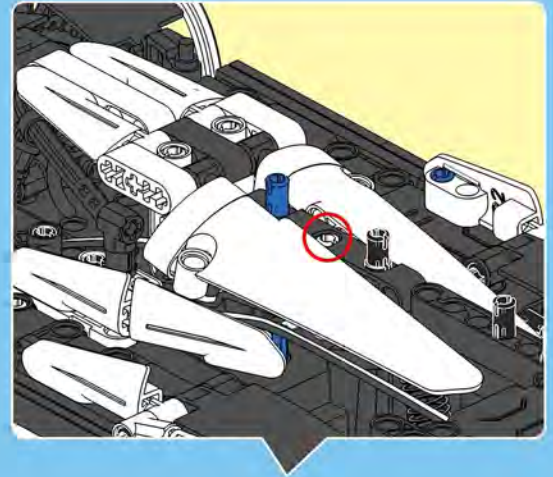


# A77



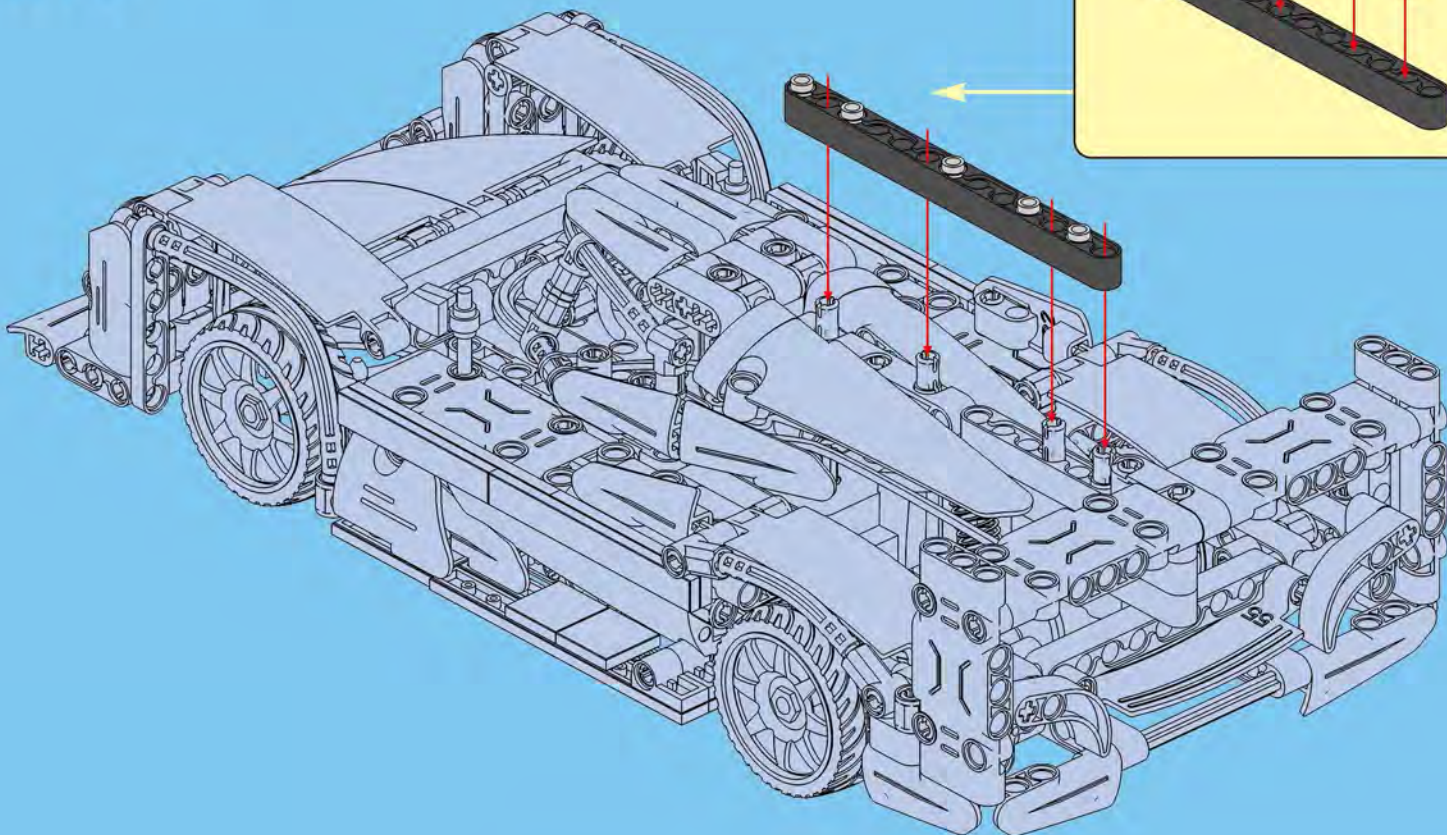
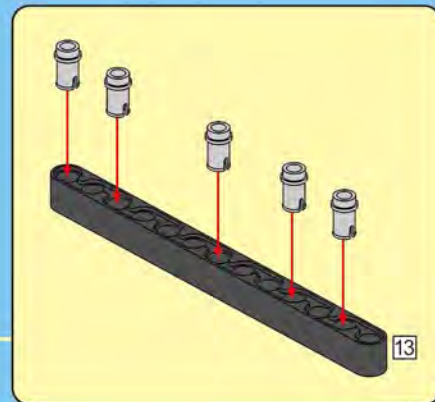


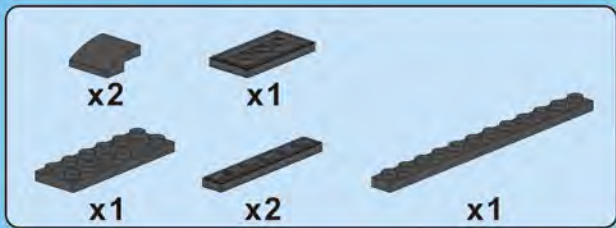
# A78



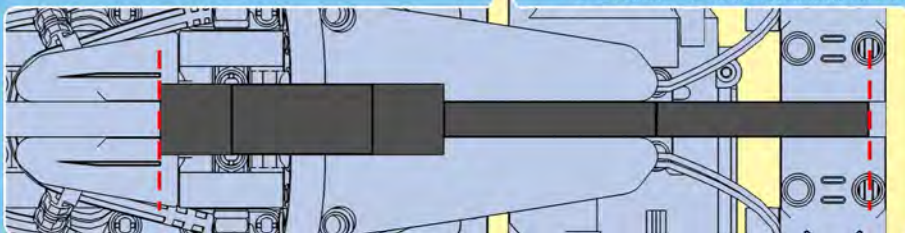
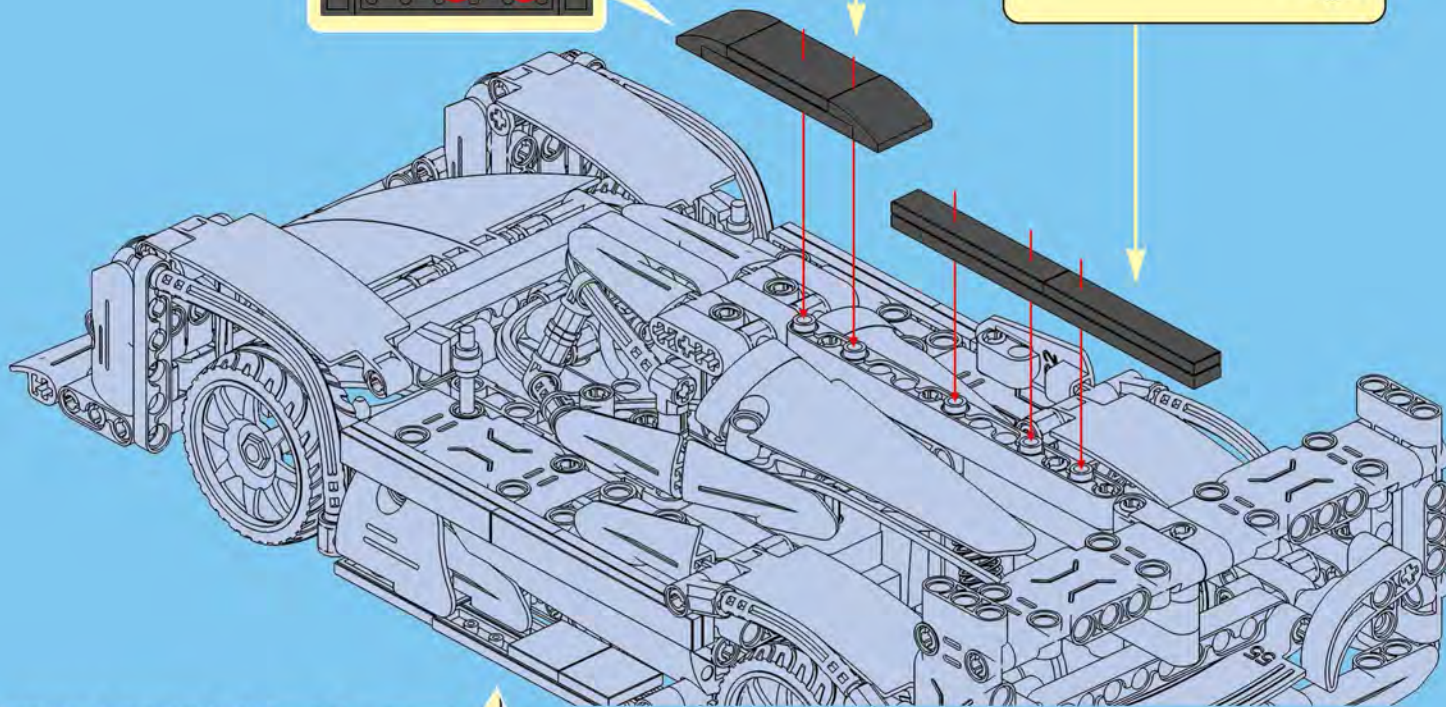
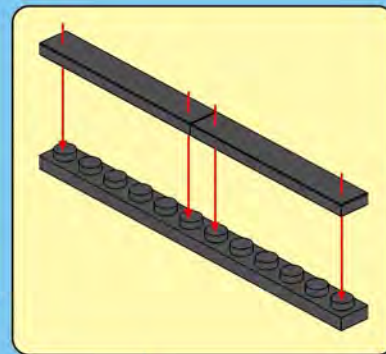
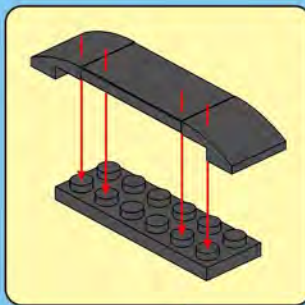


**A79**



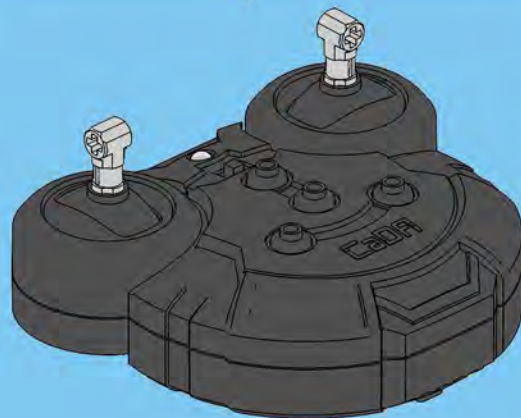
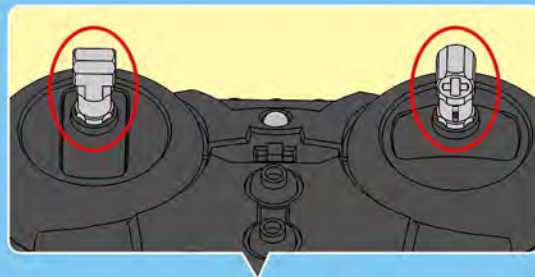
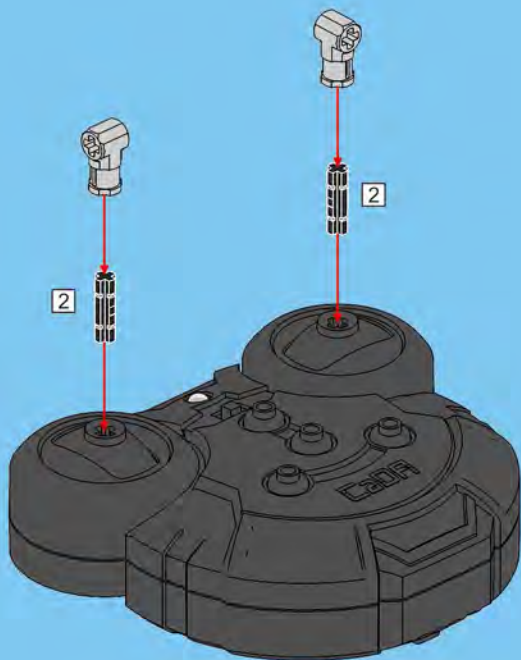


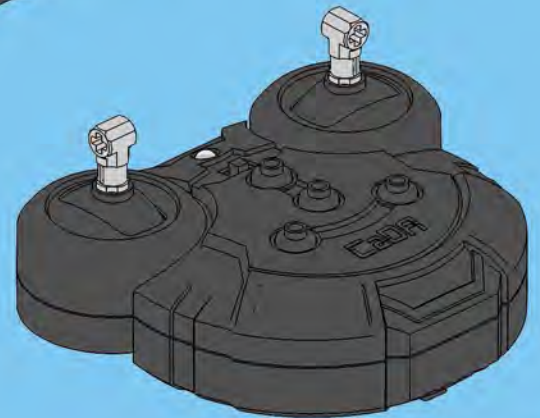
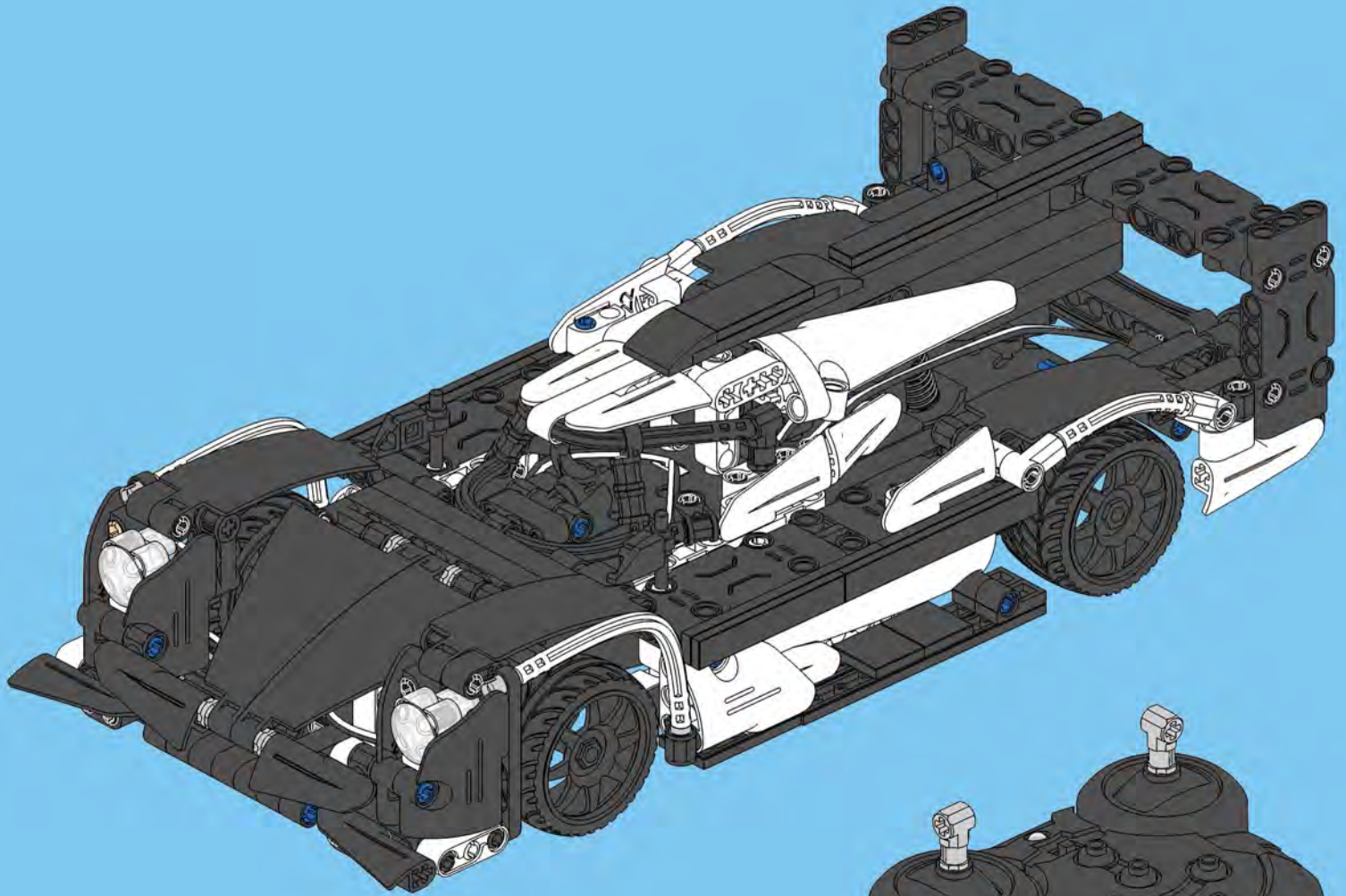
**A80**

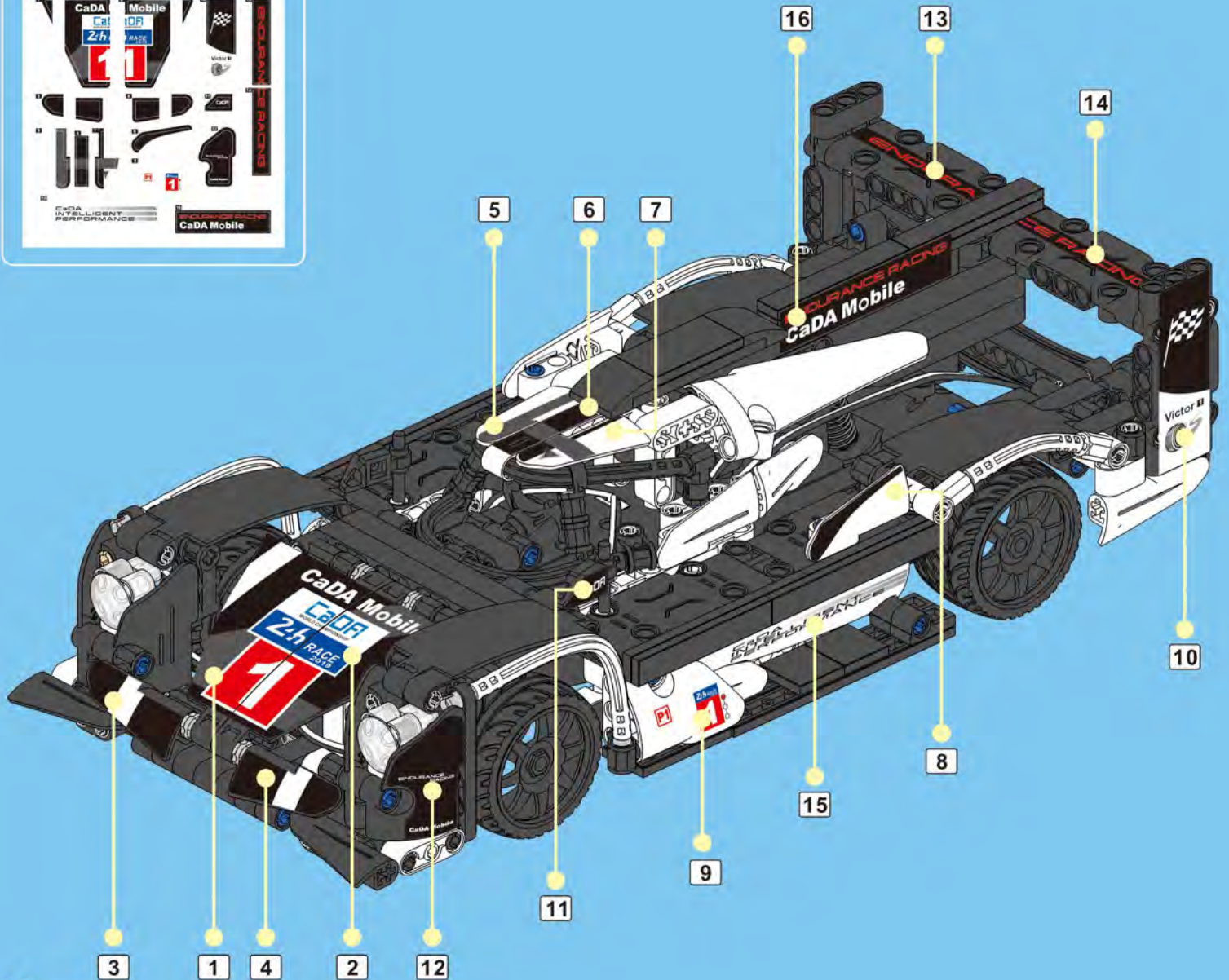


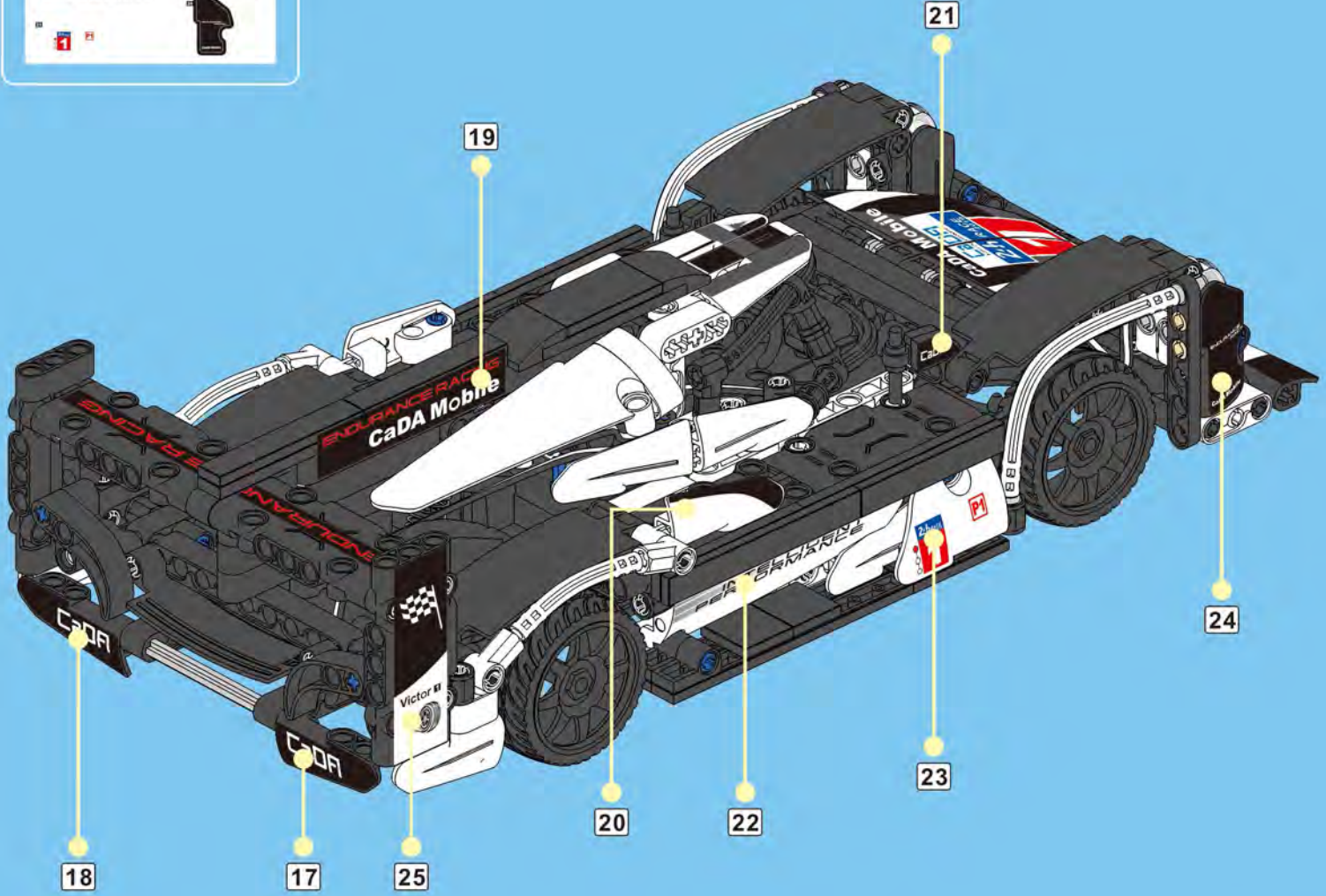


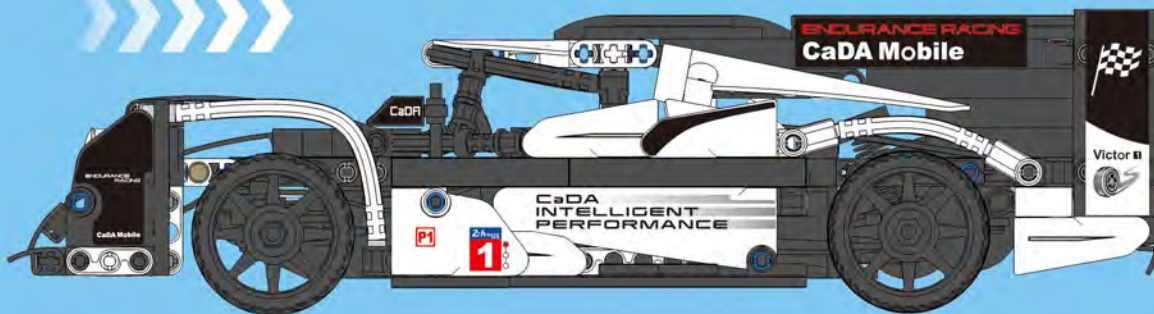
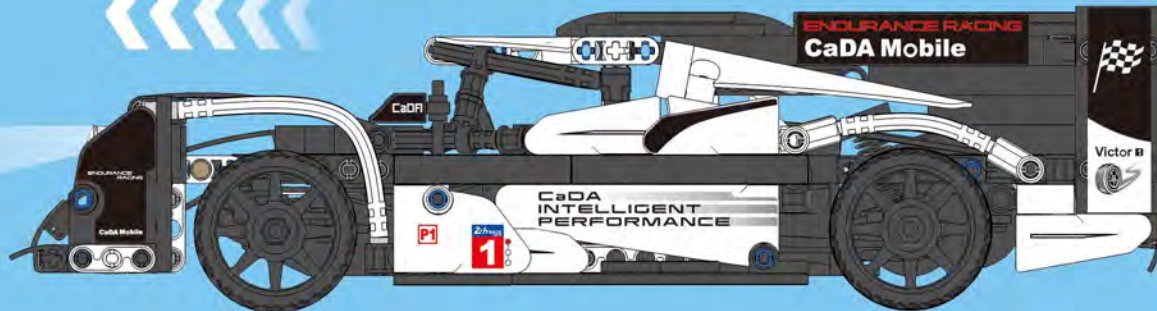
# A81



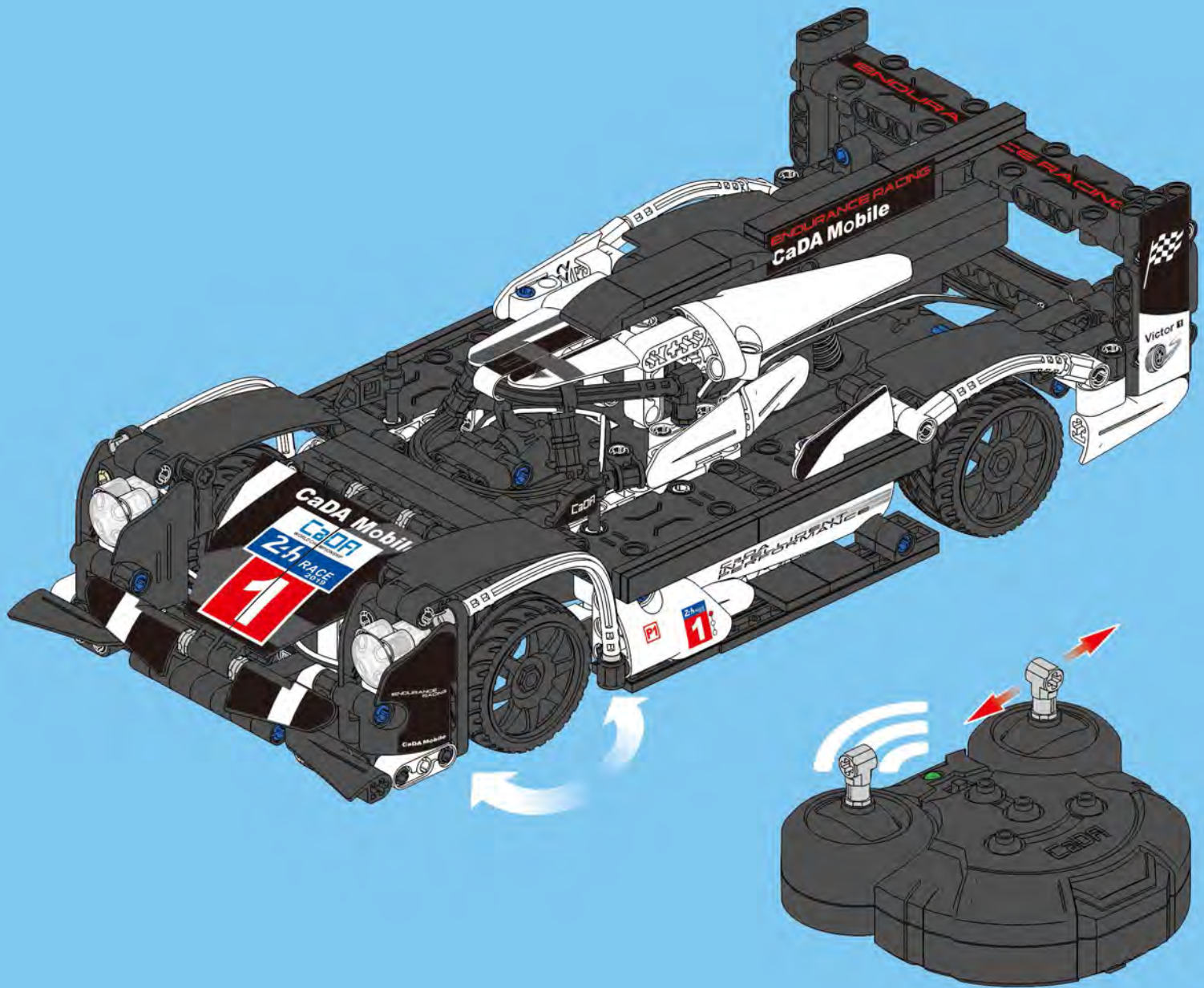












x1  
JA10050006

x2  
JA10100003

x2  
JA10110001

x1  
JA10660001

x4  
JA30320005

x2  
JA30330004

x4  
JA30380005

x3  
JA30410008

x4  
JA30690007

x2  
JB40150003

x2  
JC00080003

x1  
JC00100002

x1  
JC00110002

x2  
JF00330002

x5  
JF10890001

x4  
JF80720002

x1 **5**  
JH00040001

x1 **7**  
JH00070001

x1 **9**  
JH00090001

x1  
JH00090001

x4 **2**  
JH00110001

x4 **3**  
JH00630001

x4  
JH10180001

x2  
JH10790001

x8  
JH10790016

x4  
JH20140001

x30  
JH20150001

x32  
JH20160001

x72  
JH20250001

x11  
JH21030001

x3  
JH30210002

x4  
JH40220009

x2  
JH40230001

x2  
JH40230002

x11  
JH50010001

x2  
JH50200002

x2  
JH50260001

x4  
JH50260007

x19  
JH50320001

x2  
JH50410001

x4  
JH50440001

x6  
JH50860001

x3  
JH50860002

x3  
JH60350001

x2  
JH60390001

x1  
JH60480003

x4  
JH60850002

x4  
JH90730004

x2  
JJ40290001

x1  
JJ40730002

x2  
JJ50710008

x5  
JJ60040001

x5  
JJ60040007

x2 **5**  
JJ60050007

x2 **7**  
JJ60060001

x2 **7**  
JJ60060007

x3 **9**  
JJ60070001

x2 **11**  
JJ60080002

x2 **13**  
JJ60090002

x2  
JJ60180004

x1  
JJ60330001

x2  
JJ60330008

x2  
JJ60340001

x5  
JJ60340006

x3  
JJ60350004

x4  
JJ60350005

x5  
JJ60360003

x2  
JJ60380006

x1  
JJ60390001

x1  
JJ60510003

x4  
JJ60590002

x4  
JJ70110002

x4  
JJ70110007

x2  
JJ70120002

x7  
JJ70740003

x2  
JM90420002

x1  
JR30090001

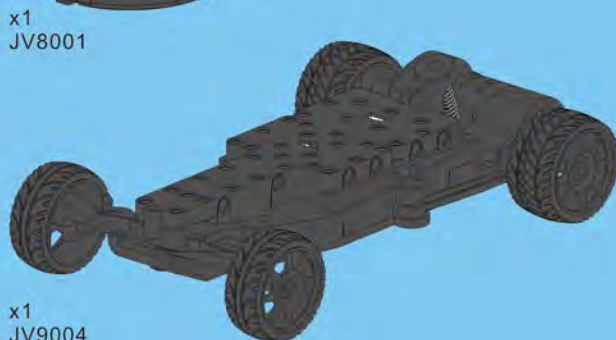
x1  
JR30110001

x2  
JR30120003

x2  
JR30250006

x2  
JV3027

x1  
JV8001



x1  
JV9004

x1  
JX10440002

x3  
JX40350007

x3  
JX40350008

x6  
JX40350009

x6  
JX40350010

x2  
JX40450001

x2  
JX40450002

x1  
JX40450009

x1  
JX40450010

x2  
JX40740001

x1  
JX40930005

x1  
JX40940005

x8  
JX41120003

x2  
JX41680008

x2  
JX41690008

x5  
JX41790002

This device complies with Part 15 of the FCC Rules. Operation is subject to the following two conditions: (1) this device may not cause harmful interference, and (2) this device must accept any interference received, including interference that may cause undesired operation.<sup>4)</sup>

Note: This equipment has been tested and found to comply with the limits for a Class B digital device, pursuant to Part 15 of the FCC Rules. These limits are designed to provide reasonable protection against harmful interference in a residential installation. This equipment generates, uses and can radiate radio frequency energy and, if not installed and used in accordance with the instructions, may cause harmful interference to radio communications. However, there is no guarantee that interference will not occur in a particular installation.<sup>4)</sup>

If this equipment does cause harmful interference to radio or television reception, which can be determined by turning the equipment off and on, the user is encouraged to try to correct the interference by one or more of the following measures:<sup>4)</sup>

- Reorient or relocate the receiving antenna.<sup>4)</sup>
- Increase the separation between the equipment and receiver.<sup>4)</sup>
- Connect the equipment into an outlet on a circuit different from that to which the receiver is connected.<sup>4)</sup>
- Consult the dealer or an experienced radio/TV technician for help.<sup>4)</sup>

Caution: Changes or modifications not expressly approved by the party responsible for compliance could void the user's authority to operate the equipment.<sup>4)</sup>

This equipment complies with FCC radiation exposure limits set forth for an uncontrolled environment. This transmitter must not be co-located or operating in conjunction with any other antenna or transmitter.<sup>4)</sup>

## C51055



## C51301



## C51306

